

**48TC**

**Gas Heat/Electric Cooling**


**Packaged Rooftop**

**Vertical Models**

**Nominal Tons 15, 17.5, 20, 25, 27.5**

**Model Sizes 17, 20, 24, 28, 30**



turn to the experts 

## Product Data



(Unit shown with economizer and power exhaust.)

C12589



# TABLE OF CONTENTS

	PAGE		PAGE
FEATURES AND BENEFITS .....	3	APPLICATION / SELECTION DATA .....	28
MODEL NUMBER NOMENCLATURE .....	4	COOLING CAPACITIES .....	30
FACTORY OPTIONS AND/OR ACCESSORIES .....	5	STATIC PRESSURE ADDERS .....	39
AHRI COOLING RATING TABLES .....	9	DAMPER, BARO RELIEF & PE PERFORMANCE .	40
HEAT RATING TABLE .....	9	FAN PERFORMANCE .....	42
SOUND PERFORMANCE TABLE .....	10	ELECTRICAL INFORMATION .....	46
MINIMUM / MAXIMUM AIRFLOW RATINGS ....	10	SEQUENCE OF OPERATION .....	65
PHYSICAL DATA .....	11	GUIDE SPECIFICATIONS .....	68
DIMENSIONS .....	17		
OPTIONS & ACCESSORIES WEIGHT ADDERS ...	27		



The 15 to 27.5 Ton WeatherMaker® Carrier rooftop unit (RTU) was designed by customers for customers. With “no-strip” screw collars, handled access panels, and more we’ve made your unit easy to install, easy to maintain, easy to use and reliable.

## **Easy to install:**

These WeatherMaker units are designed for dedicated factory-supplied vertical air flow duct configurations. No special field kits are required. Designed to fit on pre-installed curbs by another manufacturer, these units also fit on past designed Carrier installed curbs with a new certified and authorized adapter curb. The cabinet design also integrates a large control box that gives you room to work and room to mount Carrier accessory controls.

## **Easy to maintain:**

Easy access handles by Carrier provide quick and easy access to all normally serviced components. Our “no-strip” screw system has superior holding power and guides screws into position while preventing the screw from stripping the unit’s metal. Take accurate pressure readings by reading system pressures with panels in place as compressors are strategically located to eliminate any air bypass.

## **Easy to use:**

The newly designed, central terminal board by Carrier puts all your connections and troubleshooting points in one convenient place, standard. Most low voltage connections are made to the same board and make it easy to find what you’re looking for and easy to access it. Carrier rooftops have high and low pressure switches, a filter drier, and 2-in (51mm) filters standard.

## **Reliable:**

Each unit comes with precision sized and tested scroll compressor that is internally protected from over temperature and pressures. In addition, each refrigerant circuit is further protected with a high pressure and low pressure switch as well as containing a liquid line filter drier. Each unit is factory tested prior to shipment to help ensure unit operation once properly installed.

## FEATURES AND BENEFITS

- 2-stage cooling capability with independent circuits and control.
- Round tube/plate fin (RTPF) available on all sizes or NOVATION all aluminum condenser (outdoor) coils available on 17-28 sizes only. Special coil-coating also available for coastal and industrial environments
- EER's up to 10.8.
- IEER's up to 11.6 with single speed indoor fan motor and up to 12.7 with 2-speed/VFD indoor fan motor.
- Gas heating efficiencies up to 81% thermal efficiency.
- Dedicated vertical air flow duct configuration models. No field kits required.
- Utility connections through the side or bottom. Bottom connections are also in an enclosed environment to help prevent water entry. Field supplied couplings are required.
- Standardized components and layout. Standardized components and controls make service and stocking parts easier.
- Scroll compressors on all units. This makes service, stocking parts, replacement, and trouble-shooting easier.
- Proven Acutrol refrigerant metering system.
- Easy-adjust, belt-drive motor available. Motor assembly also contains a fan belt break protection system on all models and reliable pillow block bearing system that allows lubrication thru front of the unit.
- Single-point gas / electrical connection.
- Sloped, composite drain pan sheds water; and won't rust.
- Standardized controls and control box layout. Standardized components and controls make stocking parts and service easier.
- Clean, large, easy to use control box.
- Color-coded wiring.
- Large, laminated wiring and power wiring drawings which are affixed to unit make troubleshooting easy.
- Single, central terminal board for test and wiring connections.
- Fast-access, handled, panels for easy access on normally accessed service panels.
- "No-strip" screw system guides screws into the panel and captures them tightly without stripping the screw, the panel, or the unit.
- Mechanical cooling (115°F to 30°F / 46°C to -1°C) standard on all models. Low ambient controller allows operation down to -20°F / -29°C
- Redundant gas valve for 2-stage gas heating capacity control with induced-draft flue exhaust design to help ensure no flue gas can escape into the indoor air stream.
- Exclusive IGC solid state gas controller for on board diagnostics with LED error code designation, burner control logic and energy saving indoor fan motor delay.
- 2-in (51mm) disposable filters on all units, with 4-in (102mm) filter track field-installed.
- Refrigerant filter-drier on each circuit.
- High and low pressure switches. Added reliability with high pressure switch and low pressure switch.
- Many factory-installed options ranging from air management economizers, 2 position dampers, manual outdoor air dampers, plus convenience outlets, disconnect switch and smoke detectors.
- Factory-installed Humidi-MiZer® adaptive dehumidification system. Available on 17-28 sizes with RTPF condenser coil models only.
- Standard Parts Warranty: 10 year aluminized heat exchanger, 5 year compressor, 3 year NOVATION condenser coil, 1 year others.
- Optional Staged Air Volume (SAV) system utilizes a Variable Frequency Drive (VFD) to automatically adjust the indoor fan motor speed between cooling stages. Available on 2-stage cooling models 17-30 with electromechanical controls or RTU Open.

# MODEL NUMBER NOMENCLATURE

1	2	3	4	5	6	7	8	9	10	11	12	13	14	15	16	17	18
4	8	T	C	D	D	2	4	A	1	G	6	-	0	A	0	A	0

### Unit Heat Type

48 = Gas heat pkg. rooftop

### Series Model

TC = Standard Efficiency

### Heat Size

D = Low heat  
 E = Med heat  
 F = High heat  
 S = Stainless steel, Low heat  
 R = Stainless steel, Med heat  
 T = Stainless steel, High heat

### Refrigerant Systems Options

D = 2 stage cooling models  
 E = 2 stage cooling models w/ Humidi-MiZer  
 (17 – 28 models with RTPF coils only)

### Cooling Tons (vertical air flow models only)

17 = 15 Ton  
 20 = 17.5 Ton  
 24 = 20 Ton  
 28 = 26 Ton  
 30 = 27.5 Ton

### Sensor Options

A = None  
 B = RA smoke detector  
 C = SA smoke Detector  
 D = RA + SA smoke detector  
 E = CO2 sensor  
 F = RA smoke detector & CO2 sensor  
 G = SA smoke detector & CO2 sensor  
 H = RA + SA smoke detector & CO2 sensor

### Indoor Fan Options (vertical air flow models only)

1 = Standard static option, vertical  
 2 = Medium static option, vertical  
 3 = High static option, vertical  
 B = Medium static, high efficiency motor / vertical supply, return air flow  
 C = High static option, high efficiency motor / vertical supply, return air flow

### Packaging & Seismic Compliance

0 = Standard  
 3 = CA seismic compliant

### Electrical Options

A = None  
 C = Non-fused disconnect  
 G = 2 speed indoor fan (VFD) control  
 J = 2 speed fan cntl (VFD) & non fused disc

### Service Options

0 = None  
 1 = Unpowered convenience outlet  
 2 = Powered convenience outlet  
 3 = Hinged panels  
 4 = Hinged panels, un-powered C.O.  
 5 = Hinged panels, powered C.O.

### Intake / Exhaust Options

A = None  
 B = Temp Economizer w/ barometric relief  
 F = Enthalpy Econo w/ baro relief  
 K = 2 position damper  
 U = Temp ultra low leak econo w/baro relief  
 V = Temp ultra low leak econo w/PE (cent) pwr exhaust  
 W = Enthalpy ultra low leak econo w/baro relief  
 X = Enthalpy ultra low leak econo w/PE (cent) power exhaust

### Base unit controls

0 = Base electromechanical controls  
 1 = PremierLink Controller  
 2 = RTU open multi-protocol controller  
 6 = Electromechanical with 2 speed fan & W7720 econo cntl.

### Design Revision

- = Factory Assigned

### Voltage

1 = 575/3/60  
 5 = 208-230/3/60  
 6 = 460/3/60

### Coil Options for Round Tube/Plate Fin Condenser Coil Models Only (outdoor-indoor-hail guard)

A = Al/Cu - Al/Cu	M = Al/Cu - Al/Cu - Louvered hail guard
B = Precoat Al/Cu - Al/Cu	N = Precoat Al/Cu - Al/Cu - Louvered hail guard
C = Ecoat Al/Cu - Al/Cu	P = Ecoat Al/Cu - Al/Cu - Louvered hail guard
D = Ecoat Al/Cu Ecoat Al/Cu	Q = Ecoat Al/Cu - Ecoat Al/Cu Louvered hail guard
E = Cu/Cu - Al/Cu	R = Cu/Cu - Al/Cu - Louvered hail guard
F = Cu/Cu - Cu/Cu	S = Cu/Cu - Cu/Cu - Louvered hail guard

### Coil Options for All Aluminum Novation Condenser Coil Models Only (outdoor-indoor-hail guard)

G = Al/Al - Al/Cu	T = Al/Al - Al/Cu, louvered
H = Al/Al - Cu/Cu	U = Al/Al - Al/Cu, louvered
J = Al/Al - Ecoat Al/Cu	V = Al/Al - Al/Cu Ecoat, louvered
K = Al/Al Ecoat - Al/Cu	W = Al/Al Ecoat - Al/Cu, louvered
L = Al/Al Ecoat - Al/Cu Ecoat	X = Al/Al Ecoat - Al/Cu Ecoat louvered

Not all possible options can be displayed above – see price pages or contact your Carrier Expert for more details.

**Table 1 – FACTORY-INSTALLED OPTIONS AND FIELD-INSTALLED ACCESSORIES**

CATEGORY	ITEM	FACTORY INSTALLED OPTION	FIELD INSTALLED ACCESSORY
<b>Cabinet</b>	Hinged access panels	X	
	California Seismic Compliant Labeling (17–28 sizes only)	X	
<b>Coil Options</b>	Cu/Cu (indoor) coils	X	
	Pre-Coat (outdoor) coils	X	
	E-coated (outdoor & indoor) coils	X	
<b>Humidity Control</b>	Humidi-MiZer Adapt. Dehumidification System (17–28 RTPF)	X	
<b>Condenser Protection</b>	Condenser coil hail guard (louvered design)	X	X
<b>Controls</b>	Thermostats, temperature sensors, and subbases		X
	PremierLink DDC communicating controller	X	X
	RTU Open protocol controller	X	
	Smoke detector (supply and/or return air)	X	X
	Time Guard II compressor delay control circuit		X
	Phase Monitor		X
	Carrier Energy Demand System (EDS)		X
<b>Economizers &amp; Outdoor Air Dampers</b>	EconoMi\$er™ IV (for electro-mechanical controlled RTUs)	X	X
	EconoMi\$er™ 2 (for DDC controlled RTUs)	X	X
	Motorized 2 position outdoor-air damper	X	X
	Manual outdoor-air damper (25%)	X	X
	Barometric relief <sup>1</sup>	X	X
	Power exhaust-centrifugal blower	X	X
	Ultra Low Leak EconoMi\$er X (for 2-speed SAV system only 17 to 30 sizes with 2 stages of cooling), vertical supply and return air only.	X	X
<b>Economizer Sensors &amp; IAQ Devices</b>	Single dry bulb temperature sensors <sup>2</sup>	X	X
	Differential dry bulb temperature sensors <sup>2</sup>		X
	Single enthalpy sensors <sup>2</sup>	X	X
	Differential enthalpy sensors <sup>2</sup>		X
	Wall or duct mounted CO <sub>2</sub> sensor <sup>2</sup>		X
	Unit mounted CO <sub>2</sub> sensor <sup>2</sup>	X	
	4-in Filter Track Assembly		X
<b>Gas Heat</b>	Propane conversion kit		X
	Stainless steel heat exchanger	X	
	High altitude conversion kit		X
	Flue Discharge Deflector		X
<b>Indoor Motor &amp; Drive</b>	Multiple motor and drive packages	X	
	Staged Air Vol (SAV) system w/VFD controller (2-stage cool only with electrical mechanical and RTU Open controls)	X	
	Display Kit for SAV system with VFD		X
<b>Low Ambient Control</b>	Winter start kit <sup>3</sup>		X
	Motormaster head pressure controller <sup>3</sup>		X
<b>Power Options</b>	Convenience outlet (powered)	X	
	Convenience outlet (unpowered)	X	
	Non-fused disconnect <sup>4</sup>	X	
<b>Roof Curbs</b>	Roof curb 14-in (356mm)		X
	Roof curb 24-in (610mm)		X
	Adapter Curb (Adapts to Models – DP/DR/HJ/TM/TJ) <sup>5</sup> (17–24)		X

**NOTES:**

- Included with economizer.
- Sensors used to optimize economizer performance.
- See application data for assistance.
- Non-fused disconnect switch cannot be used when unit FLA rating exceeds 200 amps on 208/230 volt and 100 amps on 460/575 volt units. Carrier Packaged RTUBuilder selects this automatically.
- Not for 48TJE024–028 models using 48DP900041, 48DP900051 or 48DP900061 roofcurbs.

# FACTORY OPTIONS AND/OR ACCESSORIES

## **Economizer (dry-bulb or enthalpy)**

Economizers save money. They bring in fresh, outside air for ventilation; and provide cool, outside air to cool your building. This is the preferred method of low-ambient cooling. When coupled to CO<sub>2</sub> sensors, economizers can provide even more savings by coupling the ventilation air to only that amount required.

Economizers are available, installed and tested by the factory, with either enthalpy or dry-bulb temperature inputs. There are also models for electromechanical as well as direct digital controllers. Additional sensors are available as accessories to optimize the economizers.

Economizers include gravity controlled, barometric relief equalizes building pressure and ambient air pressures. This can be a cost effective solution to prevent building pressurization. If further control of exhaust air is required, a dual centrifugal fan power exhaust system is also available.

## **CO<sub>2</sub> Sensor**

Improves productivity and saves money by working with the economizer to intake only the correct amount of outside air for ventilation. As occupants fill your building, the CO<sub>2</sub> sensor detects their presence through increasing CO<sub>2</sub> levels, and opens the economizer appropriately.

When the occupants leave, the CO<sub>2</sub> levels decrease, and the sensor appropriately closes the economizer. This intelligent control of the ventilation air, called Demand Control Ventilation (DCV) reduces the overall load on the rooftop, saving money.

## **Smoke Detectors**

Trust the experts. Smoke detectors make your application safer and your job easier. Carrier smoke detectors immediately shut down the rooftop unit when smoke is detected. They are available, installed by the factory, for supply air, return air, or both.

## **Louvered Hail Guards**

Sleek, louvered panels protect the condenser coil from hail damage, foreign objects, and incidental contact.

## **Convenience Outlet (powered or un-powered)**

Reduce service and/or installation costs by including a convenience outlet in your specification. Carrier will install this service feature at our factory. Provides a convenient, 15 amp, 115v GFCI receptacle with “Wet in Use” cover. The “powered” option allows the installer to power the outlet from the line side of the disconnect side as required by code. The “unpowered” option is to be powered from a separate 115/120v power source.

## **Non-Fused Disconnect**

This OSHA-compliant, factory-installed, safety switch allows a service technician to locally secure power to the rooftop.

## **Power Exhaust with Barometric Relief**

Superior internal building pressure control. This field-installed accessory or factory-installed option may eliminate the need for costly, external pressure control fans.

## **PremierLink™, DDC Controller**

This CCN controller regulates your rooftop’s performance to tighter tolerances and expanded limits, as well as facilitates zoning systems and digital accessories. It also unites your Carrier HVAC equipment together on one, coherent CCN network. The PremierLink can be factory-installed, or easily field-installed. Not available with 2-speed indoor fan motor.

## **RTU Open Protocol Controller**

Connect the rooftop to an existing BAS without needing complicated translators or adapter modules using the RTU-Open controller. This new controller speaks the 4 most common building automation system languages (Bacnet, Modbus, N2, and Lonworks). Use this controller when you have an existing BAS.

## **Time Guard II Control Circuit**

This accessory protects your compressor by preventing short-cycling in the event of some other failure, prevents the compressor from restarting for 30 seconds after stopping. Not required with PremierLink, RTU-Open, or authorized commercial thermostats.

## **Motorized 2-Position Damper**

The new Carrier 2-position, motorized outdoor air damper admits up to 100% outside air. Using reliable, gear-driven technology, the 2-position damper opens to allow ventilation air and closes when the rooftop stops, stopping unwanted infiltration.

## **Manual OA Damper**

Manual outdoor air dampers are an economical way to bring in ventilation air. The dampers are available in 25% versions.

## **Optional Humidi-MiZer Adaptive Dehumidification System**

Carrier’s Humidi-MiZer adaptive dehumidification system is an all-inclusive factory installed option that can be ordered with any WeatherMaker 48TC17-28 rooftop unit.

This system expands the envelope of operation of Carrier’s WeatherMaker rooftop products to provide unprecedented flexibility to meet year round comfort conditions.

The Humidi-MiZer adaptive dehumidification system has the industry’s only dual dehumidification mode setting. The Humidi-MiZer system includes two new modes of operation.

## FACTORY OPTIONS AND/OR ACCESSORIES (cont.)

### Opt. Humidi-MiZer Adap. Dehum. Syst. (cont.)

The WeatherMaker® 48TC17-28 rooftop coupled with the Humidi-MiZer system is capable of operating in normal design cooling mode, subcooling mode, and hot gas reheat mode. Normal design cooling mode is when the unit will operate under its normal sequence of operation by cycling compressors to maintain comfort conditions.

Subcooling mode will operate to satisfy part load type conditions when the space requires combined sensible and a higher proportion of latent load control. Hot Gas Reheat mode will operate when outdoor temperatures diminish and the need for latent capacity is required for sole humidity control. Hot Gas Reheat mode will provide neutral air for maximum dehumidification operation.

### Staged Air Volume (SAV) Indoor Fan Speed System

Carrier's Staged Air Volume (SAV) system saves energy and installation time by utilizing a Variable Frequency Drive (VFD) to automatically adjust the indoor fan motor speed in sequence with the units cooling operation. Per ASHRAE 90.1 2010 standard section 6.4.3.10.b, during the first stage of cooling operation the VFD will adjust the fan motor to provide 2/3rd of the total cfm established for the unit. When a call for the second stage of cooling is required, the VFD will allow the total cfm for the unit established (100%). During the heating mode the VFD will allow total design cfm (100%) operation and during the ventilation mode the VFD will allow operation to 2/3rd of total cfm.

Compared to single speed indoor fan motor systems, Carrier's SAV system can save substantial energy, 25%+\*, versus single speed indoor fan motor systems.

The VFD used in Carrier's SAV system has soft start capabilities to slowly ramp up the speeds, thus eliminating any high inrush air volume during initial start-up. It also has internal over current protection for the fan motor and a field installed display kit that allows adjustment and in depth diagnostics of the VFD.

This SAV system is available on models with 2-stage cooling operation with electrical mechanical or RTU Open, Multi Protocol controls. Both space sensor and conventional thermostats controls can be used to provide accurate control in any application.

The SAV system is very flexible for initial fan performance set up and adjustment. The standard factory shipped VFD is pre-programmed to automatically stage the fan speed between the first and second stage of cooling. The unit fan performance static pressure and cfm can be easily adjusted using the traditional means of pulley adjustments. The other means to adjust the unit static and cfm performance is to utilize the field installed Display Kit and adjust the frequency and voltage in the VFD to required performance requirements. In either case, once set up, the VFD will automatically adjust the speed between the cooling stage operations.

\*Data based on .10 (\$/kWh) in an office application utilizing Carrier's HAP 4.6 simulation software program.

### Motormaster Head Pressure Controller

The Motormaster motor controller is a low ambient, head pressure controller kit that is designed to maintain the unit's condenser head pressure during periods of low ambient cooling operation. This device should be used as an alternative to economizer free cooling when economizer usage is either not appropriate or not desired. The Motormaster will either cycle the outdoor-fan motors or operate them at reduced speed to maintain the unit operation, depending on the model.

### Winter Start Kit

The winter start kit by Carrier extends the low ambient limit of your rooftop to 25°F (-4°C). The kit bypasses the low pressure switch, preventing nuisance tripping of the low pressure switch. Other low ambient precautions may still be prudent.

MotorMaster allows cooling operation down to -20°F (-29°C) ambient conditions.

### Propane Heating

Convert your gas heat rooftop from standard natural gas operation to Propane using this field-installed kit.

### High Altitude Heating

High altitudes have less oxygen, which means heat exchangers need less fuel. The new gas orifices in this field-installed kit make the necessary adjustment for high altitude applications. They restore the optimal fuel to air mixture and maintain healthy combustion at altitudes above 2000 ft (610m). Kits may not be required in all areas.

### Optional Stainless Steel Heat Exchanger

The stainless steel heat exchanger option provides the tubular heat exchanger be made out of a minimum 20 gauge type 409 stainless steel for applications where the mixed air to the heat exchanger is expected to drop below 45°F (7°C). Stainless steel may be specified on applications where the presence of airborne contaminants require its use (applications such as paper mills) or in area with very high outdoor humidity that may result in severe condensation in the heat exchanger during cooling operation.

### Flue Discharge Deflector

The flue discharge deflector is a useful accessory when flue gas recirculation is a concern. By venting the flue discharge upwards, the deflector minimizes the chance for a neighboring unit to intake the flue exhaust.

### Hinged Access Panels

Allows access to unit's major components with specifically designed hinged access panels. Panels are: filter, control box and fan motor.

## **FACTORY OPTIONS AND/OR ACCESSORIES (cont.)**

### **Alternate Motors and Drives**

Some applications need larger horsepower motors, some need more airflow, and some need both. Regardless of the case, your Carrier expert has a factory installed combination to meet your application. A wide selection of motors and pulleys (drives) are available, factory installed, to handle nearly any application.

### **Thru-the-Base Connections**

Thru-the-base provisions/connection points are available as standard with every unit. When bottom connections are required, field furnished couplings are required.

### **Carrier Energy Demand System(EDS)**

Carrier's wireless automated demand management and demand response controllers can be easily installed onto any packaged rooftop unit. Once installed, the controllers work together like a swarm of bees, intelligently communicating and managing the duty cycles of the units being controlled.

Utilizing patented intelligence, the controllers dramatically reduce peak electrical demand by up to 30 percent in commercial and light industrial properties and allow for effective scheduling of overnight and weekend loads. This platform can easily be installed when a full building automation system is not required.

The Energy Demand System is as easy to install as thermostats, and requires no special training. Every controller has a built-in self-configuring wireless network. The controllers work together to establish a wireless network, eliminating the need for expensive wiring. The secure web portal allows property managers to easily access multiple sites from any internet connection to monitor building performance and reconfigure controllers for demand response or the scheduling of loads.

- Simple, affordable, wireless electrical demand management
- Automated demand response, including Open ADR
- Energy consumption reduction through efficient schedule-based control
- Intelligent, adaptive energy management
- Web-based interface
- Electrical demand reductions
- Reduce energy costs, not comfort

### **California OSHPD Seismic Certification Label (17-28 sizes)**

Units meet the seismic requirements of the International Code Council Evaluation Service (ICC-ES) document AC156 (Acceptance Criteria for Seismic Qualification by Shake-Table Testing of Nonstructural Components and Systems) and per International Building Code (IBC 2009) at an SDS (g) value of 2.00 z/h=1.0, Ip=1.5 and certified by independent structural engineers. A certification label is applied to the unit that meets the CA OSHPD Special Seismic Certification pre-approval labeling requirements on the external chassis of the unit.



**Table 2 – AHRI COOLING RATING TABLE**

**2-STAGE COOLING**

UNIT	COOLING STAGES	NOM. CAPACITY (TONS)	NET COOLING CAPACITY (MBH)	TOTAL POWER (kW)	EER	IEER WITH SINGLE SPEED INDOOR FAN MOTOR	IEER WITH 2-SPEED INDOOR FAN MOTOR
17	2	15	202.0	18.7	10.8	12.0	12.7
20	2	17.5	208.0	19.3	10.8	11.7	12.7
24	2	20	242.0	24.7	9.8	10.6	11.7
28	2	25	280.0	28.6	9.8	10.4	11.5
30	2	27.5	330.0	32.4	10.2	10.4	11.5

**LEGEND**

- AHRI – Air Conditioning, Heating and Refrigeration Institute Test Standard
- ASHRAE – American Society of Heating, Refrigerating and Air Conditioning, Inc.
- EER – Energy Efficiency Ratio
- IEER – Integrated Energy Efficiency Ratio

**NOTES:**

1. Rated and certified under AHRI Standard 340/360, as appropriate.
2. Ratings are based on:  
**Cooling Standard:** 80°F (27°C) db, 67°F (19°C) wb indoor air temp and 95°F (35°C) db outdoor air temp.  
**IEER Standard:** A measure that expresses cooling part-load EER efficiency for commercial unitary air conditioning and heat pump equipment on the basis of weighted operation at various load capacities.
3. All 48TC units comply with ASHRAE 90.1 Energy Standard for minimum EER and IEER requirements.
4. 48TC units comply with US Energy Policy Act (2005). To evaluate code compliance requirements, refer to state and local codes or visit the following website: <http://bcap-energy.org> to determine if compliance with this standard pertains to your state, territory, or municipality.



Use of the AHRI Certified TM Mark indicates a manufacturer's participation in the program. For verification of certification for individual products, go to [www.ahridirectory.org](http://www.ahridirectory.org).



**Table 3 – HEATING RATING TABLE - NATURAL GAS & PROPANE**

MODEL SIZE	HEAT SIZE	AL/SS HEAT EXCHANGER		TEMP RISE (DEG F)	THERMAL EFFICIENCY (%)
		INPUT / OUTPUT STAGE 2 (MBH)	INPUT / OUTPUT STAGE 1 (MBH)		
17	LOW	220 / 178	176 / 142	20 – 55	81%
	MED	310 / 251	248 / 200	30 – 60	81%
	HIGH	400 / 324	320 / 260	35 – 65	81%
20	LOW	220 / 178	176 / 142	15 – 55	81%
	MED	310 / 251	248 / 200	25 – 60	81%
	HIGH	400 / 324	320 / 260	30 – 65	81%
24	LOW	220 / 178	176 / 142	15 – 55	81%
	MED	310 / 251	248 / 200	20 – 60	81%
	HIGH	400 / 324	320 / 260	30 – 65	81%
28	LOW	220 / 178	176 / 142	10 – 55	81%
	MED	310 / 251	248 / 200	15 – 60	81%
	HIGH	400 / 324	320 / 260	20 – 65	81%
30	LOW	220 / 178	176 / 142	10 – 55	81%
	MED	310 / 251	248 / 200	15 – 60	81%
	HIGH	400 / 324	320 / 260	20 – 65	81%

**NOTES:**

- Heat ratings are for natural gas heat exchangers operated at or below 2000 ft (610 m). For information on Propane or altitudes above 2000 ft (610 m), see the Application Data section of this book. Accessory Propane/High Altitude kits are also available.
- In the USA the input rating for altitudes above 2000 ft (610m) must be derated by 4% for each 1000 ft (305 m) above sea level. In Canada, the input rating must be derated by 10% for altitudes of 2000 ft (610 m) to 4500 ft (1372 m) above sea level.

**Table 4 – SOUND PERFORMANCE TABLE**

MODE SIZE	CLG STAGES	OUTDOOR SOUND (dB)									
		A-Wgt	AHRI 370 Rating	63	125	250	500	1000	2000	4000	8000
17	2	84.1	84	92.2	83.9	80.4	81.8	78.7	76.5	72.2	65.4
20	2	84.1	84	92.2	83.9	80.4	81.8	78.7	76.5	72.2	65.4
24	2	86.5	87	95.6	87.5	84.2	84.2	81.7	77.9	73.2	66.3
28	2	85.9	86	97.1	88.3	84.4	83.3	80.7	77.4	73.4	67.3
30	2	85.9	86	97.1	88.3	84.4	83.3	80.7	77.4	73.4	67.3

**LEGEND**

dB – Decibel



**NOTES:**

1. Outdoor sound data is measure in accordance with AHRI standard 270–2008.
2. Measurements are expressed in terms of sound power. Do not compare these values to sound pressure values because sound pressure depends on specific environmental factors which normally do not match individual applications. Sound power values are independent of the environment and therefore more accurate.
3. A-weighted sound ratings filter out very high and very low frequencies, to better approximate the response of “average” human ear. A-weighted measurements for Carrier units are taken in accordance with AHRI standard 270–2008.

**Table 5 – MINIMUM - MAXIMUM AIRFLOW RATINGS - NATURAL GAS & PROPANE**

Unit	Heat Level	Cooling		AL HX Heating		SS HX Heating	
		Minimum	Maximum	Minimum	Maximum	Minimum	Maximum
17	LOW	4500	7500	3000	8250	3000	8250
	MED			3880	7750	3880	7750
	HIGH			4620	8570	4620	8570
20	LOW	5250	9000	3000	11000	3000	11000
	MED			3880	9300	3880	9300
	HIGH			4620	10000	4620	10000
24	LOW	6000	10000	3000	11000	3000	11000
	MED			3880	11630	3880	11630
	HIGH			4620	10000	4620	10000
28	LOW	7500	12500	3000	16500	3000	16500
	MED			3880	15500	3880	15500
	HIGH			4620	15000	4620	15000
30	LOW	8250	13750	3000	16500	3000	16500
	MED			3880	15500	3880	15500
	HIGH			4620	15000	4620	15000

AL = Aluminum Gas Heat Exchanger

SS = Stainless Steel Gas Heat Exchanger

**Table 6 – PHYSICAL DATA (COOLING)  
RTPF - ROUND TUBE/PLATE FIN COIL DESIGN**

**15 - 27.5 TONS**

		<b>48TC*D17</b>	<b>48TC*E17</b>	<b>48TC*D20</b>	<b>48TC*E20</b>
<b>Refrigeration System</b>		RTPF	RTPF	RTPF	RTPF
# Circuits / # Comp. / Type		2 / 2 / Scroll	2 / 2 / Scroll	2 / 2 / Scroll	2 / 2 / Scroll
R-410a charge A/B (lbs)		16.3/17.5	25.9/25.7	16.3/17.5	25.9/25.7
Metering device		Acutrol	TXV	Acutrol	TXV
High-press. Trip / Reset (psig)		630 / 505	630 / 505	630 / 505	630 / 505
Low-press. Trip / Reset (psig)		54 / 117	27 / 44	54 / 117	27 / 44
<b>Evap. Coil</b>					
Material		Cu / Al	Cu / Al	Cu / Al	Cu / Al
Tube Diameter		3/8"	3/8"	3/8"	3/8"
Rows / FPI		4 / 15	4 / 15	4 / 15	4 / 15
Total face area (ft <sup>2</sup> )		22.00	22.00	22.00	22.00
Condensate drain conn. size		3/4"	3/4"	3/4"	3/4"
<b>Humidimizer Coil</b>					
Material		n/a	Cu / Al	n/a	Cu / Al
Tube Diameter		n/a	3/8"	n/a	3/8"
Rows / FPI		n/a	1 / 17	n/a	1 / 17
Total face are (ft <sup>2</sup> )		n/a	22.00	n/a	22.00
<b>Evap. fan and motor</b>					
Standard Static	Motor Qty / Belt Qty / Driver Type	1 / 1 / Belt	1 / 1 / Belt	1 / 1 / Belt	1 / 1 / Belt
	Max BHP	2.2	2.2	3.3	3.3
	RPM range	514-680	514-680	622-822	622-822
	motor frame size	56	56	56	56
	Fan Qty / Type	2 / Centrifugal	2 / Centrifugal	2 / Centrifugal	2 / Centrifugal
	Fan Diameter (in)	15 x 15	15 x 15	15 x 15	15 x 15
Medium Static	Motor Qty / Belt Qty / Driver Type	1 / 1 / Belt	1 / 1 / Belt	1 / 1 / Belt	1 / 1 / Belt
	Max BHP	3.3	3.3	4.9	4.9
	RPM range	679-863	679-863	713-879	713-879
	motor frame size	56	56	56	56
	Fan Qty / Type	2 / Centrifugal	2 / Centrifugal	2 / Centrifugal	2 / Centrifugal
	Fan Diameter (in)	15 x 15	15 x 15	15 x 15	15 x 15
High Static	Motor Qty / Belt Qty / Driver Type	1 / 1 / Belt	1 / 1 / Belt	n/a	n/a
	Max BHP	4.9	4.9	n/a	n/a
	RPM range	826-1009	826-1009	n/a	n/a
	motor frame size	56	56	n/a	n/a
	Fan Qty / Type	2 / Centrifugal	2 / Centrifugal	n/a	n/a
	Fan Diameter (in)	15 x 15	15 x 15	n/a	n/a
High Static-High Efficiency	Motor Qty / Belt Qty / Driver Type	n/a	n/a	1 / 1 / Belt	1 / 1 / Belt
	Max BHP (208/230/460/575v)	n/a	n/a	6.5/ 6.9/ 7.0/ 8.3	6.5/ 6.9/ 7.0/ 8.3
	RPM range	n/a	n/a	882-1078	882-1078
	motor frame size	n/a	n/a	184T	184T
	Fan Qty / Type	n/a	n/a	2 / Centrifugal	2 / Centrifugal
	Fan Diameter (in)	n/a	n/a	15 x 15	15 x 15

**Table 6 (cont.) - PHYSICAL DATA (COOLING)**  
**RTPF - ROUND TUBE/PLATE FIN COIL DESIGN**

**15 - 27.5 TONS**

Refrigeration System		48TC*D24	48TC*E24	48TC*D28	48TC*E28	48TC*D30
		RTPF	RTPF	RTPF	RTPF	RTPF
# Circuits / # Comp. / Type		2 / 2 / Scroll	2 / 2 / Scroll	2 / 2 / Scroll	2 / 2 / Scroll	2 / 2 / Scroll
R-410a charge A/B (lbs)		20.6/14.7	27.9/20.5	19.8/ 20.4	27.9/ 28.9	27.0/ 28.5
Metering device		Acutrol	TXV	Acutrol	TXV	Acutrol
High-press. Trip / Reset (psig)		630 / 505	630 / 505	630 / 505	630 / 505	630 / 505
Low-press. Trip / Reset (psig)		54 / 117	27 / 44	54 / 117	27 / 44	54 / 117
<b>Evap. Coil</b>						
Material		Cu / Al	Cu / Al	Cu / Al	Cu / Al	Cu / Al
Tube Diameter		3/8"	3/8"	3/8"	3/8"	3/8"
Rows / FPI		4 / 15	4 / 15	4 / 15	4 / 15	4 / 15
Total face area (ft <sup>2</sup> )		22.00	22.00	23.11	23.11	26
Condensate drain conn. size		3/4"	3/4"	3/4"	3/4"	3/4"
<b>Humidimizer Coil</b>						
Material		n/a	Cu / Al	n/a	Cu / Al	Cu / Al
Tube Diameter		n/a	3/8"	n/a	3/8"	3/8"
Rows / FPI		n/a	1 / 17	n/a	1 / 17	4 / 15
Total face are (ft <sup>2</sup> )		n/a	22.00	n/a	23.11	26
<b>Evap. fan and motor</b>						
Standard Static	Motor Qty / Belt Qty / Driver Type	1 / 1 / Belt	1 / 1 / Belt	1 / 1 / Belt	1 / 1 / Belt	n/a
	Max BHP	4.9	4.9	4.9	4.9	n/a
	RPM range	690-863	690-863	717-911	717-911	n/a
	motor frame size	56	56	56	56	n/a
	Fan Qty / Type	2 / Centrifugal	2 / Centrifugal	2 / Centrifugal	2 / Centrifugal	n/a
	Fan Diameter (in)	15 x 15	15 x 15	15 x 15	15 x 15	n/a
Standard Static - High Efficiency	Motor Qty / Belt Qty / Driver Type	n/a	n/a	n/a	n/a	1 / 1 / Belt
	Max BHP	n/a	n/a	n/a	n/a	6.5/ 6.9/ 7.0/ 8.3
	RPM range	n/a	n/a	n/a	n/a	751-954
	motor frame size	n/a	n/a	n/a	n/a	56
	Fan Qty / Type	n/a	n/a	n/a	n/a	2 / Centrifugal
	Fan Diameter (in)	n/a	n/a	n/a	n/a	15 x 15
Medium Static - High Efficiency	Motor Qty / Belt Qty / Driver Type	1 / 1 / Belt	1 / 1 / Belt	1 / 1 / Belt	1 / 1 / Belt	1 / 1 / Belt
	Max BHP (208/230/460/575v)	6.5/ 6.9/ 7.0/ 8.3	6.5/ 6.9/ 7.0/ 8.3	6.5/ 6.9/ 7.0/ 8.3	6.5/ 6.9/ 7.0/ 8.3	10.5/11.9/11.9/ 11
	RPM range	835-1021	835-1021	913-1116	913-1116	920-1190
	motor frame size	184T	184T	184T	184T	184T
	Fan Qty / Type	2 / Centrifugal	2 / Centrifugal	2 / Centrifugal	2 / Centrifugal	2 / Centrifugal
	Fan Diameter (in)	15 x 15	15 x 15	15 x 15	15 x 15	15 x 15
High Static - High Efficiency	Motor Qty / Belt Qty / Driver Type	1 / 1 / Belt	1 / 1 / Belt	1 / 1 / Belt	1 / 1 / Belt	1 / 2 Belt
	Max BHP (208/230/460/575v)	10.5/11.9/11.9/1 1	10.5/11.9/11.9/11	10.5/11.9/11.9/11	10.5/11.9/11.9/11	11.9/12.9/12.9/ 14.1
	RPM range	941-1176	941-1176	941-1176	941-1176	1116-1400
	motor frame size	213T	213T	213T	213T	213T
	Fan Qty / Type	2 / Centrifugal	2 / Centrifugal	2 / Centrifugal	2 / Centrifugal	2 / Centrifugal
	Fan Diameter (in)	15 x 15	15 x 15	15 x 15	15 x 15	15 x 15

**Table 6 (cont.) - PHYSICAL DATA (COOLING)**  
**RTPF - ROUND TUBE/PLATE FIN COIL DESIGN**

**15 - 27.5 TONS**

	48TC*D17	48TC*E17	48TC*D20	48TC*E20	48TC*D24	48TC*E24	48TC*D28	48TC*E28	48TC*D30
<b>Cond. Coil (Circuit A)</b>									
Coil type	RTPF	RTPF	RTPF	RTPF	RTPF	RTPF	RTPF	RTPF	RTPF
Coil Length (in)	70	70	70	70	82	82	75	75	95
Coil Height (in)	44	44	44	44	44	44	52	52	52
Number of Passes / Rows / FPI	2 / 17	2 / 17	2 / 17	2 / 17	2 / 17	2 / 17	2 / 17	2 / 17	2 / 17
total face area (ft2)	21.4	21.4	21.4	21.4	25.1	25.1	27.1	27.1	34.3
<b>Cond. Coil (Circuit B)</b>									
Coil type	RTPF	RTPF	RTPF	RTPF	RTPF	RTPF	RTPF	RTPF	RTPF
Coil Length (in)	70	70	70	70	57	57	75	75	95
Coil Height (in)	44	44	44	44	44	44	52	52	52
Rows / FPI	2 / 17	2 / 17	2 / 17	2 / 17	2 / 17	2 / 17	2 / 17	2 / 17	2 / 17
total face area (ft2)	21.4	21.4	21.4	21.4	17.4	17.4	27.1	27.1	34.3
<b>Cond. fan / motor</b>									
Qty / Motor drive type	3 / direct	3 / direct	3 / direct	3 / direct	4 / direct	4 / direct	4 / direct	4 / direct	6 / direct
Motor HP / RPM	1/4 / 1100	1/4 / 1100	1/4 / 1100	1/4 / 1100	1/4 / 1100	1/4 / 1100	1/4 / 1100	1/4 / 1100	1/4 / 1100
Fan diameter (in)	22	22	22	22	22	22	22	22	22
<b>Filters</b>									
RA Filter # / size (in)	6 / 20 x 25 x 2	6 / 20 x 25 x 2	6 / 20 x 25 x 2	6 / 20 x 25 x 2	6 / 20 x 25 x 2	6 / 20 x 25 x 2	9 / 16 x 25 x 2	9 / 16 x 25 x 2	9 / 16 x 25 x 2
OA inlet screen # / size (in)	4 / 16 x 25 x 1	4 / 16 x 25 x 1	4 / 16 x 25 x 1	4 / 16 x 25 x 1	4 / 16 x 25 x 1	4 / 16 x 25 x 1	4 / 16 x 25 x 1	4 / 16 x 25 x 1	4 / 16 x 25 x 1

**Table 7 – PHYSICAL DATA (COOLING)  
NOVATION - ALL ALUMINUM COIL DESIGN**

**15 - 27.5 TONS**

Refrigeration System		48TC–D17	48TC–D20	48TC–D24	48TC–D28
		# Circuits / # Comp. / Type	2 / 2 / Scroll	2 / 2 / Scroll	2 / 2 / Scroll
R–410a charge A/B (lbs)	9.5/12.0	9.5/12.0	14.4/12.5	12.5/13.0	
Metering device	Acutrol	Acutrol	Acutrol	Acutrol	
High–press. Trip / Reset (psig)	630 / 505	630 / 505	630 / 505	630 / 505	
Low–press. Trip / Reset (psig)	54 / 117	54 / 117	54 / 117	54 / 117	
<b>Evap. Coil</b>					
Material	Cu / Al	Cu / Al	Cu / Al	Cu / Al	
Tube Diameter	3/8"	3/8"	3/8"	3/8"	
Rows / FPI	4 / 15	4 / 15	4 / 15	4 / 15	
total face area (ft <sup>2</sup> )	19.56	19.56	22.00	23.11	
Condensate drain conn. size	3/4"	3/4"	3/4"	3/4"	
<b>Evap. fan and motor</b>					
<b>VERTICAL</b>					
Standard Static	Motor Qty / Belt Qty / Driver Type	1 / 1 Belt	1 / 1 Belt	1 / 1 Belt	1 / 1 Belt
	Max BHP	2.2	3.3	4.9	4.9
	RPM range	514–680	622–822	690–863	717–911
	motor frame size	56	56	56	56
	Fan Qty / Type	2 / Centrifugal	2 / Centrifugal	2 / Centrifugal	2 / Centrifugal
	Fan Diameter (in)	15 X 15	15 X 15	15 X 15	15 X 15
Medium Static	Motor Qty / Belt Qty / Driver Type	1 / 1 Belt	1 / 1 Belt	n/a	n/a
	Max BHP	3.3	4.9	n/a	n/a
	RPM range	679–863	713–879	n/a	n/a
	motor frame size	56	56	n/a	n/a
	Fan Qty / Type	2 / Centrifugal	2 / Centrifugal	n/a	n/a
	Fan Diameter (in)	15 x 15	15 x 15	n/a	n/a
High Static	Motor Qty / Belt Qty / Driver Type	1 / 1 Belt	n/a	n/a	n/a
	Max BHP	4.9	n/a	n/a	n/a
	RPM range	826–1009	n/a	n/a	n/a
	motor frame size	56	n/a	n/a	n/a
	Fan Qty / Type	2 / Centrifugal	n/a	n/a	n/a
	Fan Diameter (in)	15 x 15	n/a	n/a	n/a
Medium Static – High Efficiency	Motor Qty / Belt Qty / Driver Type	n/a	n/a	1 / 1 Belt	1 / 1 Belt
	Max BHP (208/230/460/575v)	n/a	n/a	6.5/ 6.9/ 7.0/ 8.3	6.5/ 6.9/ 7.0/ 8.3
	RPM range	n/a	n/a	835–1021	913–1116
	motor frame size	n/a	n/a	184T	184T
	Fan Qty / Type	n/a	n/a	2 / Centrifugal	2 / Centrifugal
	Fan Diameter (in)	n/a	n/a	15 x 15	15 x 15
High Static– High Efficiency	Motor Qty / Belt Qty / Driver Type	n/a	1 / 1 Belt	1 / 1 Belt	1 / 1 Belt
	Max BHP (208/230/460/575v)	n/a	6.5/ 6.9/ 7.0/ 8.3	10.5/11.9/11.9/11	10.5/11.9/11.9/11
	RPM range	n/a	882–1078	941–1176	941–1176
	motor frame size	n/a	184T	213T	213T
	Fan Qty / Type	n/a	2 / Centrifugal	2 / Centrifugal	2 / Centrifugal
	Fan Diameter (in)	n/a	15 x 15	15 x 15	15 x 15

**Table 7 (cont.) - PHYSICAL DATA (COOLING)  
NOVATION - ALL ALUMINUM COIL DESIGN**

**15 - 27.5 TONS**

		<b>48TC-D17</b>	<b>48TC-D20</b>	<b>48TC-D24</b>	<b>48TC-D28</b>
<b>Cond. Coil (Circuit A)</b>					
Coil type		Novation	Novation	Novation	Novation
Coil Length (in)		70	70	82	75
Coil Height (in)		44	44	44	52
Number of Passes   Rows / FPI		2	2	2	2
total face area (ft2)		21.4	21.4	25.1	27.1
<b>Cond. Coil (Circuit B)</b>					
Coil type		Novation	Novation	Novation	Novation
Coil Length (in)		70	70	57	75
Coil Height (in)		44	44	44	52
Rows / FPI		2	2	2	2
total face area (ft2)		21.4	21.4	17.4	27.1
<b>Cond. fan / motor</b>					
Qty / Motor drive type		3 / direct	3 / direct	4 / direct	4 / direct
Motor HP / RPM		1/4 / 1100	1/4 / 1100	1/4 / 1100	1/4 / 1100
Fan diameter (in)		22	22	22	22
<b>Filters</b>					
RA Filter # / size (in)		6 / 20 x 25 x 2	6 / 20 x 25 x 2	6 / 20 x 25 x 2	9 / 16 x 25 x 2
OA inlet screen # / size (in)		4 / 16 x 25 x 1	4 / 16 x 25 x 1	4 / 16 x 25 x 1	4 / 16 x 25 x 1

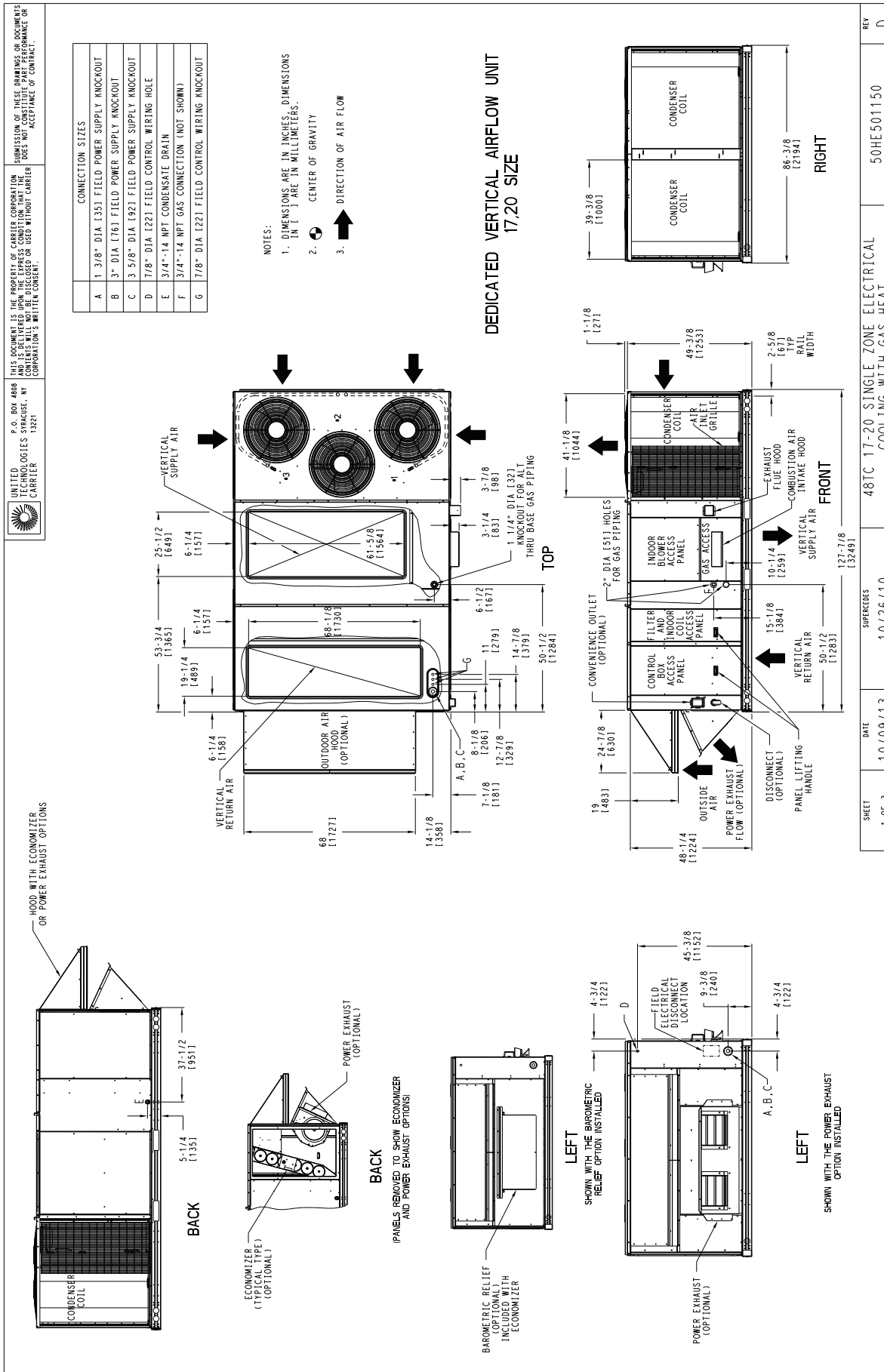
**Table 8 – PHYSICAL DATA (HEATING)**

**15 - 27.5 TONS**

		<b>48TC**17</b>	<b>48TC**20</b>	<b>48TC**24</b>	<b>48TC**28</b>	<b>48TC**30</b>
<b>Gas Connection</b>		1	1	1	1	1
		5 – 13 / 0.18–0.47	5 – 13 / 0.18–0.47	5 – 13 / 0.18–0.47	5 – 13 / 0.18–0.47	5 – 13 / 0.18–0.47
		11–13 / 0.40–0.47	11–13 / 0.40–0.47	11–13 / 0.40–0.47	11–13 / 0.40–0.47	11–13 / 0.40–0.47
<b>Heat Anticipator setting (Amps)</b>		0.14	0.14	0.14	0.14	0.14
		0.14	0.14	0.14	0.14	0.14
<b>Natural Gas Heat</b>						
<b>LOW</b>	# of stages / # of burners (total)	2 / 5	2 / 5	2 / 5	2 / 5	2 / 5
	Connection Size	3/4" NPT	3/4" NPT	3/4" NPT	3/4" NPT	3/4" NPT
	Rollout switch opens / closes	195 / 115	195 / 115	195 / 115	195 / 115	195 / 115
	Temperature Rise	25 – 55	25 – 55	25 – 55	25 – 55	25 – 55
<b>MED</b>	# of stages / # of burners (total)	2 / 7	2 / 7	2 / 7	2 / 7	2 / 7
	Connection Size	3/4" NPT	3/4" NPT	3/4" NPT	3/4" NPT	3/4" NPT
	Rollout switch opens / closes	195 / 115	195 / 115	195 / 115	195 / 115	195 / 115
	Temperature Rise	30– 60	30– 60	30– 60	30– 60	30– 60
<b>HIGH</b>	# of stages / # of burners (total)	2 / 10	2 / 10	2 / 10	2 / 10	2 / 10
	Connection Size	3/4" NPT	3/4" NPT	3/4" NPT	3/4" NPT	3/4" NPT
	Rollout switch opens / closes	195 / 115	195 / 115	195 / 115	195 / 115	195 / 115
<b>Liquid Propane Heat</b>						
<b>LOW</b>	# of stages / # of burners (total)	2 / 5	2 / 5	2 / 5	2 / 5	2 / 5
	Connection Size	3/4" NPT	3/4" NPT	3/4" NPT	3/4" NPT	3/4" NPT
	Rollout switch opens / closes	195 / 115	195 / 115	195 / 115	195 / 115	195 / 115
	Temperature Rise	25 – 55	25 – 55	25 – 55	25 – 55	25 – 55
<b>MED</b>	# of stages / # of burners (total)	2 / 7	2 / 7	2 / 7	2 / 7	2 / 7
	Connection Size	3/4" NPT	3/4" NPT	3/4" NPT	3/4" NPT	3/4" NPT
	Rollout switch opens / closes	195 / 115	196 / 115	197 / 115	198 / 115	199 / 115
	Temperature Rise	30– 60	30– 60	30– 60	30– 60	30– 60
<b>HIGH</b>	# of stages / # of burners (total)	2 / 10	2 / 10	2 / 10	2 / 10	2 / 10
	Connection Size	3/4" NPT	3/4" NPT	3/4" NPT	3/4" NPT	3/4" NPT
	Rollout switch opens / closes	195 / 115	195 / 115	195 / 115	195 / 115	195 / 115
	Temperature Rise	35– 65	35– 65	35– 65	35– 65	35– 65



# DIMENSIONS



**Fig. 1 - Unit Dimensional Drawing – 17 and 20 Size Unit**

# DIMENSIONS (cont.)

UNITED TECHNOLOGIES STRADUSS, NY CORPORATION  
P.O. BOX 4808  
CARRIER 13221

THIS DOCUMENT IS THE PROPERTY OF CARRIER CORPORATION AND IS DELIVERED UNDER THE EXPRESS CONDITION THAT THE USER SHALL NOT REPRODUCE, COPIY, OR TRANSMIT THIS DOCUMENT WITHOUT CARRIER'S WRITTEN CONSENT.

SUBMISSION OF THESE DIMENSIONS CONSTITUTES ACCEPTANCE OF CONTRACT.

UNIT	STD. UNIT WEIGHT *		CORNER WEIGHT (A)		CORNER WEIGHT (B)		CORNER WEIGHT (C)		CORNER WEIGHT (D)		C. G.					
	LBS.	KG.	LBS.	KG.	LBS.	KG.	LBS.	KG.	LBS.	KG.	X	Y	Z			
481C17	1824	829	434	197	443	210	479	218	469	213	44 3/4	111371	64 3/4	116451	16 1/2	4191
481C20	1839	836	437	199	447	203	483	219	472	215	44 3/4	111371	64 3/4	116451	16 1/2	4191
481C17	1907	867	438	199	519	236	515	234	435	198	42 29/32	110801	69 1/4	117591	16 1/2	4191
481C18	1922	860	401	182	449	204	565	257	505	230	48	112191	67 3/8	117111	16 1/2	4191
481C20	1922	874	441	201	523	238	519	236	438	199	42 29/32	110901	69 1/4	117591	16 1/2	4191

RTPF - ROUND TUBE, PLATE FIN (COPPER/ALUM)  
MCHX - ROTATION (ALUM/ALUM)

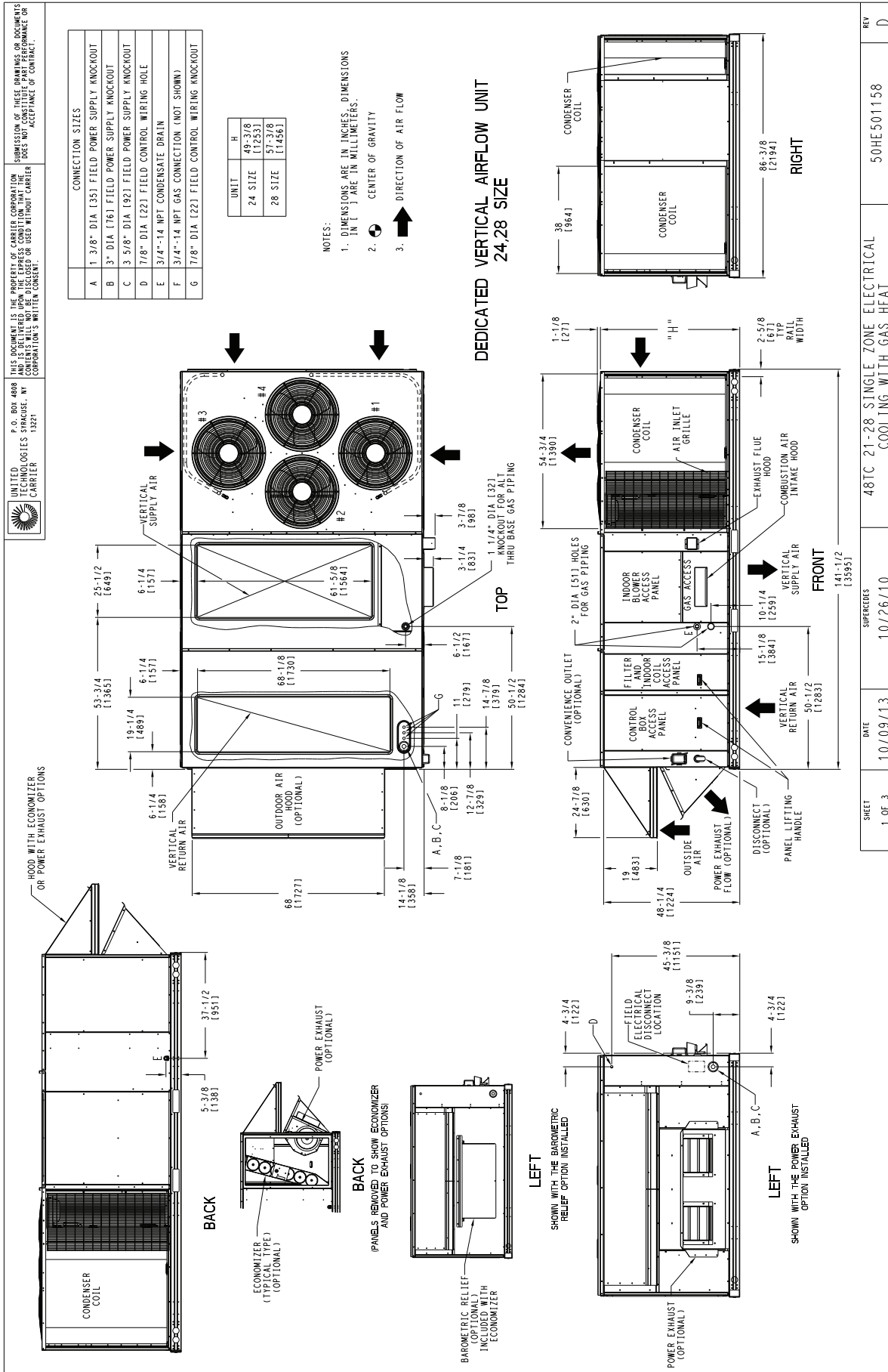
\* STANDARD UNIT WEIGHT IS WITH LOW GAS HEAT AND WITHOUT PACKAGING.  
FOR OTHER OPTIONS AND ACCESSORIES, REFER TO THE PRODUCT DATA CATALOG.

SHEET	DATE	DATE	SUPERSEDES	REV
3 OF 3	10/09/13	10/26/10	481C 17-20 SINGLE ZONE ELECTRICAL COOLING WITH GAS HEAT	D

**Fig. 1 - Unit Dimensional Drawing – 17 and 20 Size Unit (cont.)**

# DIMENSIONS (cont.)



SHEET  
1 OF 3


DATE  
10/09/13

SUPERCILES  
10/26/10

REV  
D

**Fig. 2 - Unit Dimensional Drawing – 24 and 28 Size Units**

# DIMENSIONS (cont.)



UNITED TECHNOLOGIES STRASSBURG, NY 13221  
CARRIER

THIS DOCUMENT IS THE PROPERTY OF CARRIER CORPORATION AND IS DELIVERED UNDER THE EXPRESS CONDITION THAT THE USER SHALL NOT REPRODUCE OR TRANSMIT THIS DOCUMENT WITHOUT CARRIER'S WRITTEN CONSENT.

THIS DOCUMENT IS THE PROPERTY OF CARRIER CORPORATION AND IS DELIVERED UNDER THE EXPRESS CONDITION THAT THE USER SHALL NOT REPRODUCE OR TRANSMIT THIS DOCUMENT WITHOUT CARRIER'S WRITTEN CONSENT.

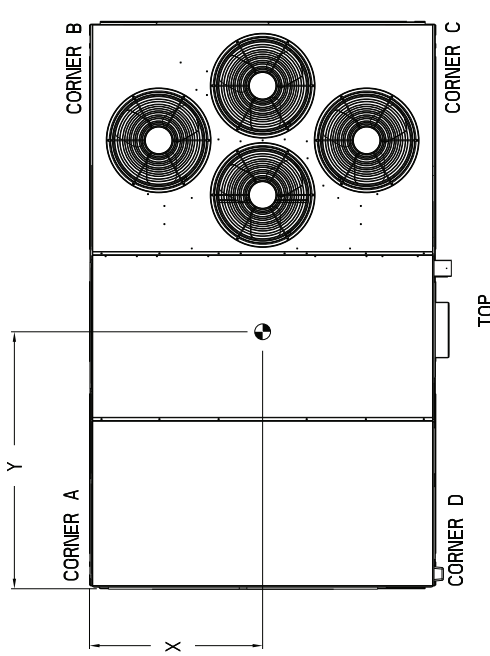
REVISIONS OF THESE DRAWINGS OR DIMENSIONS SHALL BE INDICATED BY A REVISION NUMBER AND DATE ON THE DRAWING OR IN THE ACCEPTANCE OF CONTRACT.

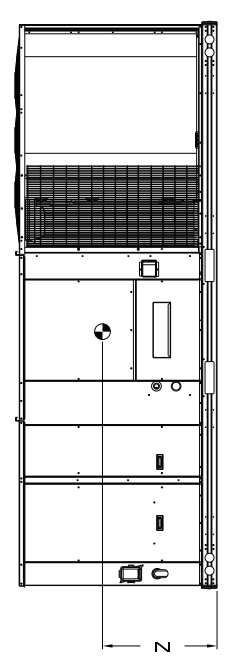
UNIT	STD UNIT WEIGHT *		CORNER WEIGHT (A)		CORNER WEIGHT (B)		CORNER WEIGHT (C)		CORNER WEIGHT (D)		C.G.					
	LBS.	KG.	LBS.	KG.	LBS.	KG.	LBS.	KG.	LBS.	KG.	X	Y	Z			
481C24	1989	904	383	174	540	245	623	283	442	201	46 1/8	11172	82 7/8	12105	16 1/2	1419
481C28	2118	963	408	186	575	261	664	302	471	214	46 1/8	11172	82 7/8	12105	19	1483
481C21	2102	956	474	215	390	177	593	269	582	265	47 1/2	11207	71 1/4	11810	16 1/2	1419
481C24	2072	942	558	254	548	249	479	217	487	221	40 5/32	11020	70	11778	16 1/2	1419
481C25	2247	1021	540	246	556	253	598	272	581	264	44 5/8	111331	71 5/8	11819	19	1483
481C28	2197	989	571	259	564	256	528	240	534	243	41 21/32	11058	70 1/4	11784	19	1483

RTPF - ROUND TUBE PLATE FIN (COPPER/ALUM)  
MCHX - NOVATION (ALUM/ALUM)



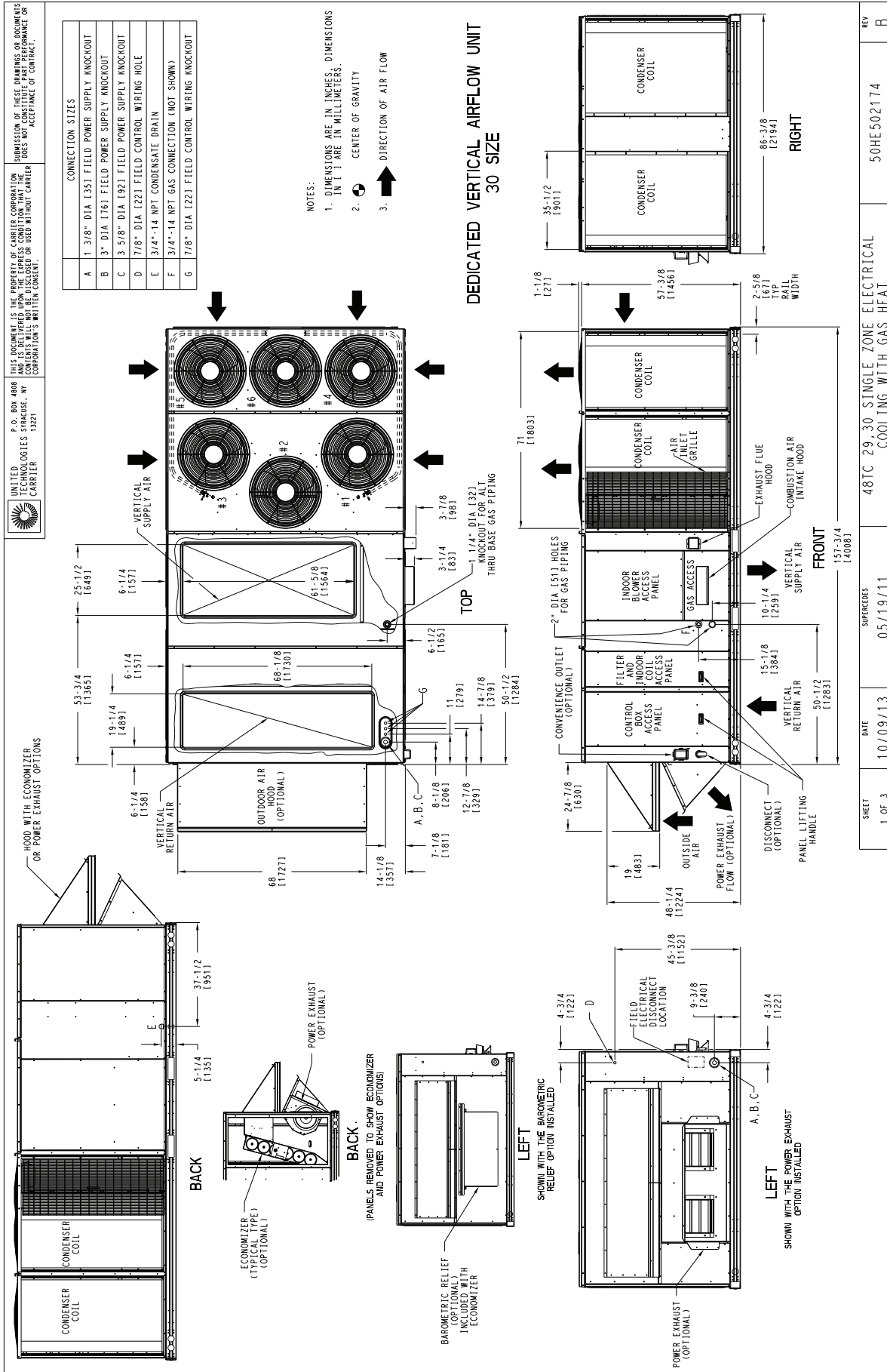


\* STANDARD UNIT WEIGHT IS WITH LOW GAS HEAT AND WITHOUT PACKAGING.  
FOR OTHER OPTIONS AND ACCESSORIES, REFER TO THE PRODUCT DATA CATALOG.

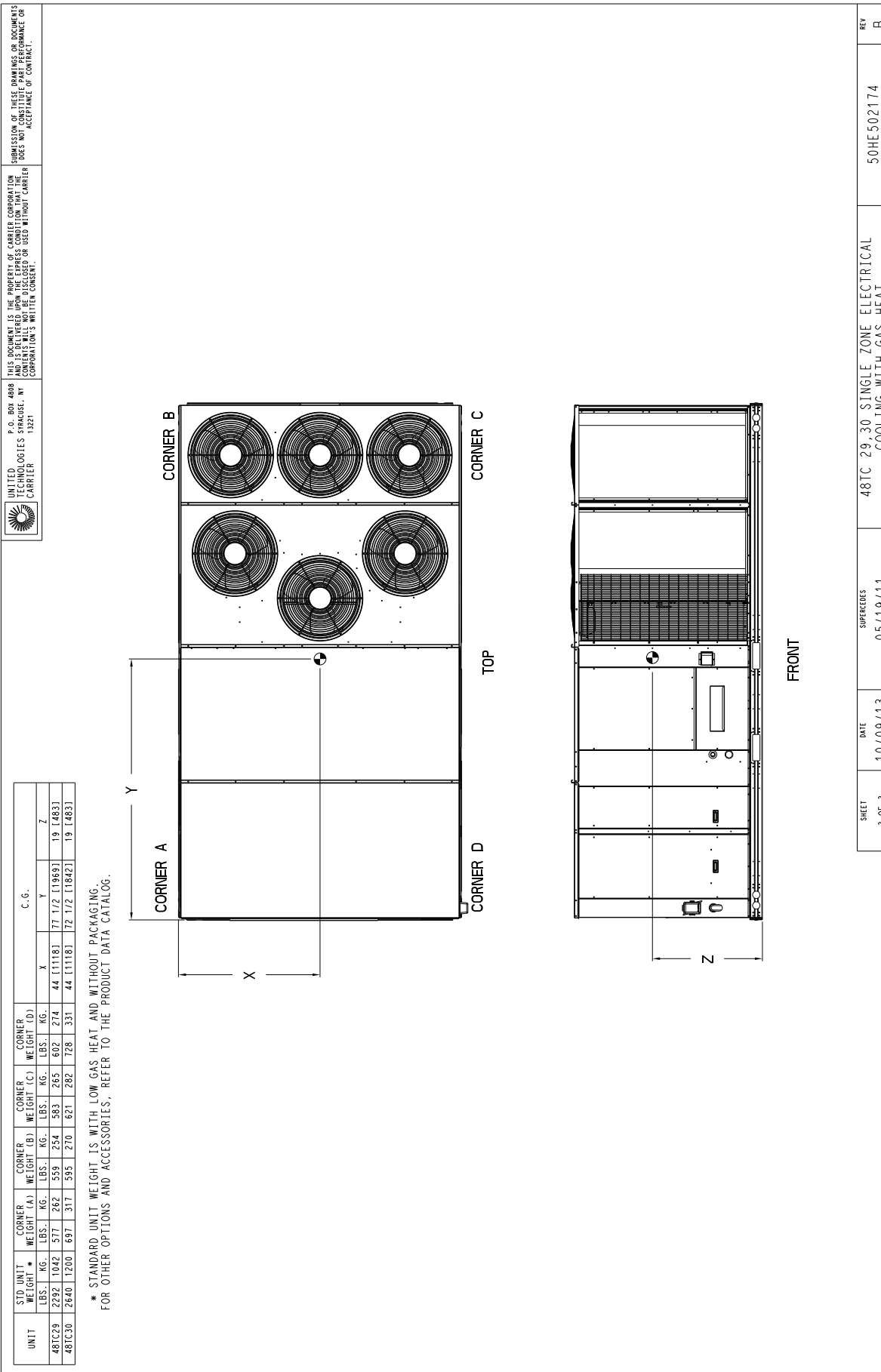
**Fig. 2 - Unit Dimensional Drawing – 24 and 28 Size Units (cont.)**

# DIMENSIONS (cont.)



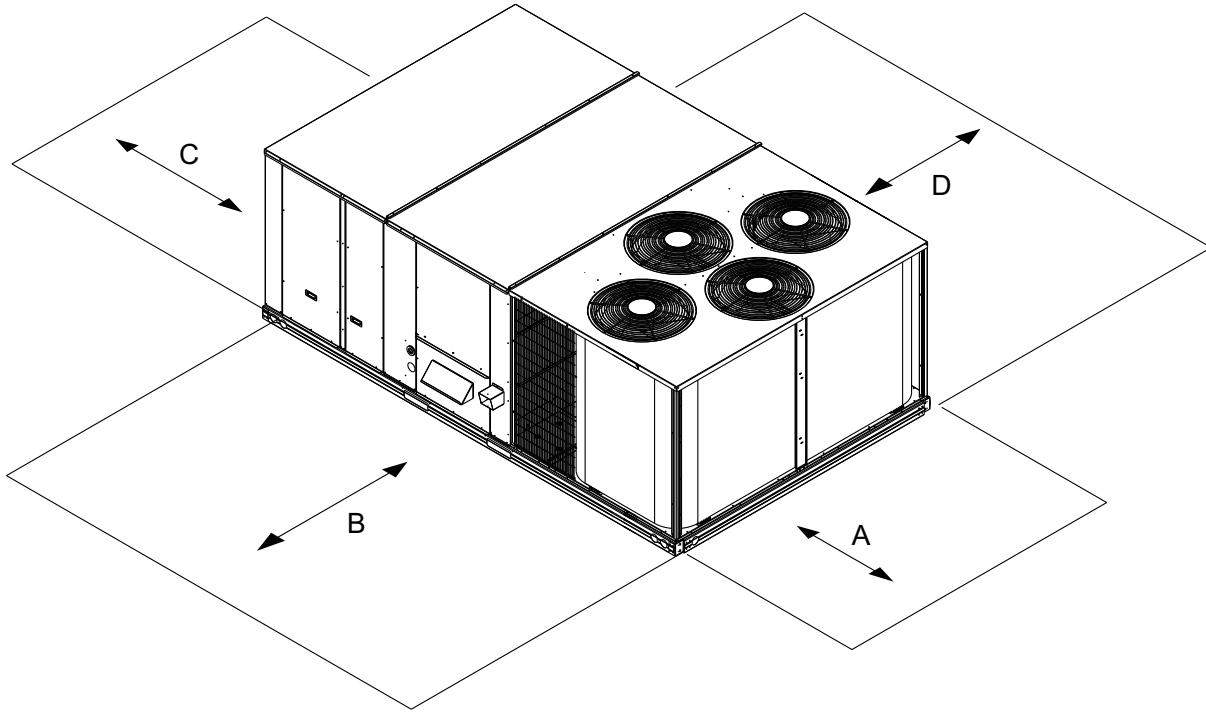
**Fig. 3 - Unit Dimensional Drawing – 30 Size Units**

# DIMENSIONS (cont.)



**Fig. 3 - Unit Dimensional Drawing – 30 Size Units (cont.)**

## DIMENSIONS (cont.)



C12384

LOCATION	DIMENSION	CONDITION
A	36-in (914 mm)	• Recommended clearance for air flow and service
B	42-in (1067 mm)	• Recommended clearance for air flow and service
C	18-in (457 mm)	• No Convenience Outlet • No Economizer • No field installed disconnect on economizer hood side (Factory-installed disconnect installed).
	36-in (914 mm)	• Convenience Outlet installed. • Vertical surface behind servicer is electrically non-conductive (e.g.: wood, fiberglass).
	42-in (1067 mm)	• Convenience Outlet installed. • Vertical surface behind servicer is electrically conductive (e.g.: metal, masonry).
	96-in (2438 mm)	• Economizer and/or Power Exhaust installed. • Check for sources of flue products with 10 feet (3 meters) of economizer fresh air intake.
D	42-in (1067 mm)	• Recommended clearance for service.

**NOTE:** Unit not designed to have overhead obstruction. Contact Application Engineering for guidance on any application planning overhead obstruction or for vertical clearances.

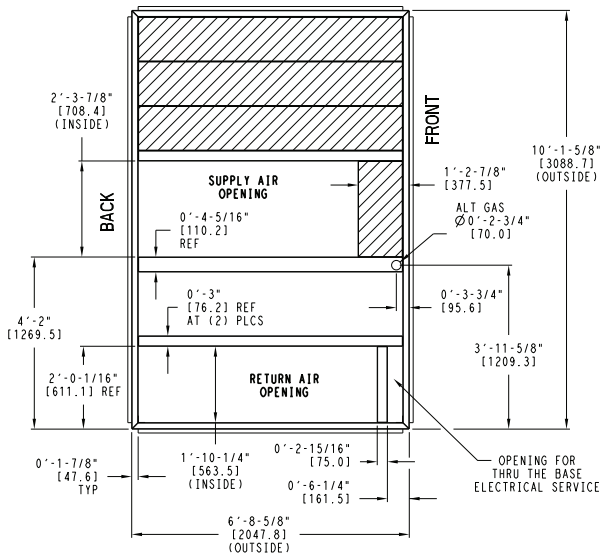
**Fig. 4 - Service Clearance Dimensional Drawing**

**Table 9 – Operating Weights**

48TC**	UNIT LB (KG)				
	17	20	24	28	30
Base Unit					
Novation™ Coil	1824 (829)	1839 (836)	1989 (904)	2118 (963)	N/A
RTPF Coil	1907 (867)	1922 (874)	2072 (942)	2197 (999)	2640 (1200)
Economizer	246 (112)	246 (112)	246 (112)	246 (112)	246 (112)
Powered Outlet	35 (16)	35 (16)	35 (16)	35 (16)	35 (16)
Humidi-MiZer® System	110 (50)	110 (50)	120 (54)	120 (54)	N/A
Curb					
14-in/356 mm	240 (109)	240 (109)	255 (116)	255 (116)	255 (116)
24-in/610 mm	340 (154)	340 (154)	355 (161)	355 (161)	355 (161)

# DIMENSIONS (cont.)

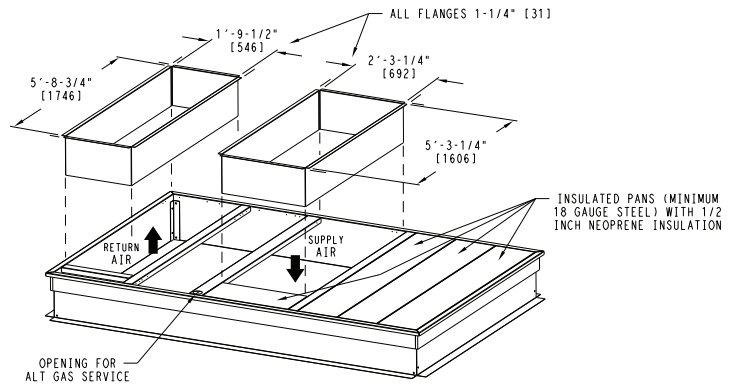
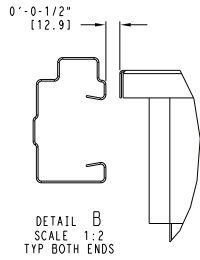
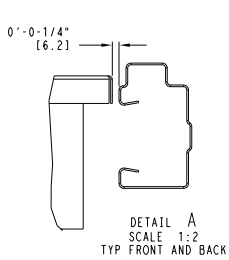
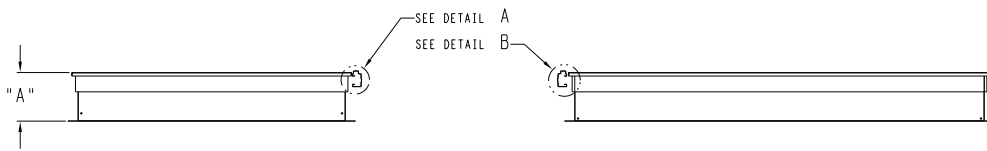
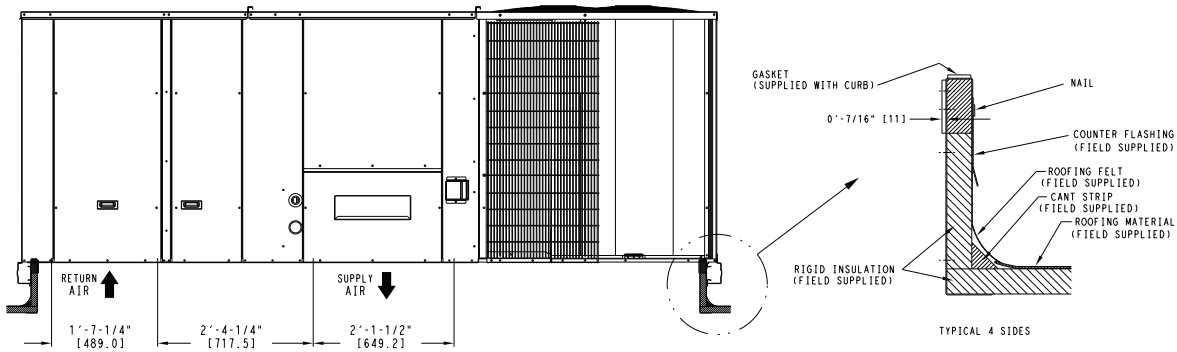
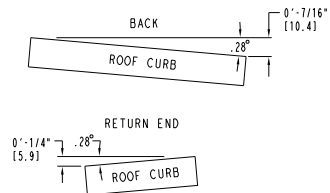
UNIT SIZE	"A"	ROOF CURB ACCESSORY
17,20	1'-2" [356.0] 2'-0" [610.0]	CRRFCURB045A00 CRRFCURB046A00



**NOTES:**

- 1 ROOF CURB ACCESSORY IS SHIPPED UNASSEMBLED.
- 2 DIMENSIONS IN [ ] ARE IN MILLIMETERS.
- 3 ROOF CURB GALVANIZED STEEL.
- 4 ATTACH DUCTWORK TO CURB (FLANGES ON DUCT REST ON CURB)
- 5 SERVICE CLEARANCE 4 FI ON EACH SIDE

➔ DIRECTION OF AIR FLOW



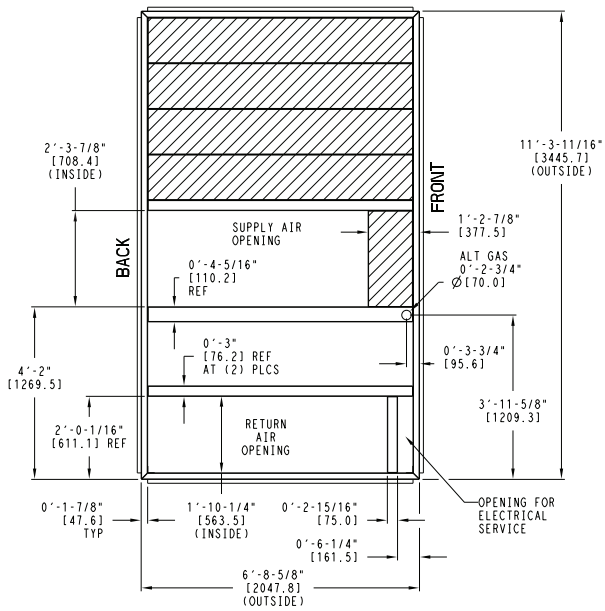
**Fig. 5 - Roof Curb Details – 17 and 20 Size Units**

C09052



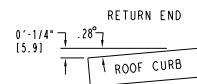
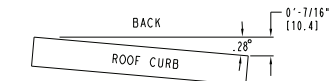
# DIMENSIONS (cont.)

UNIT SIZE	"A"	ROOF CURB ACCESSORY
24,28	1'-2" [356.0] 2'-0" [610.0]	CRRFCURB047A00 CRRFCURB048A00



- NOTES:
- 1 ROOF CURB ACCESSORY IS SHIPPED UNASSEMBLED.
  - 2 DIMENSIONS IN [ ] ARE IN MILLIMETERS.
  - 3 ROOF CURB GALVANIZED STEEL.
  - 4 ATTACH DUCTWORK TO CURB (FLANGES ON DUCT REST ON CURB)
  - 5 SERVICE CLEARANCE 4 ft ON EACH SIDE

➔ DIRECTION OF AIR FLOW



MAX CURB LEVELING TOLERANCES

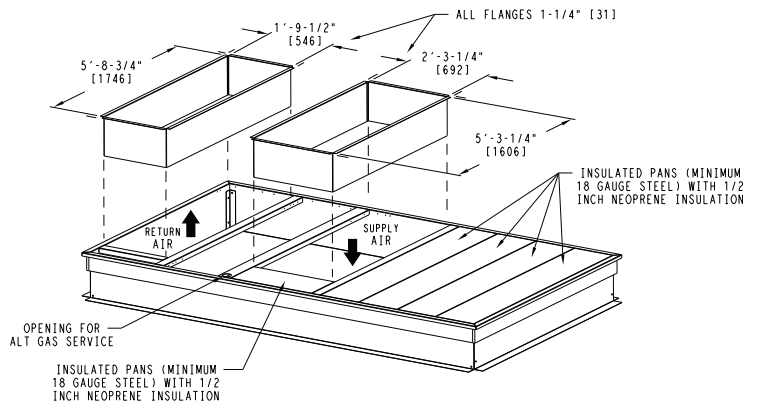
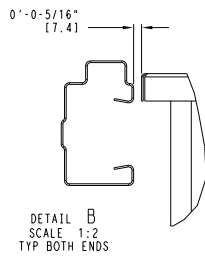
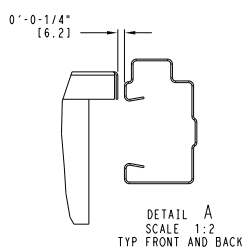
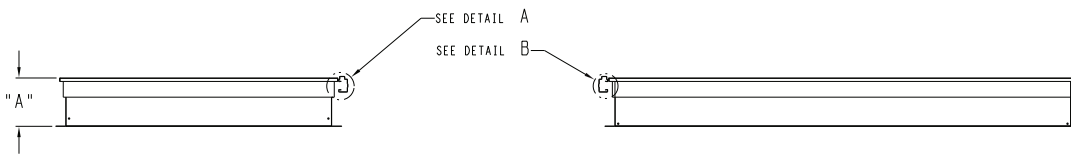
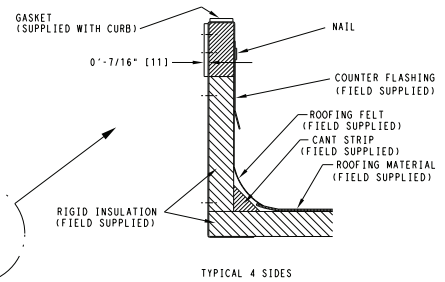
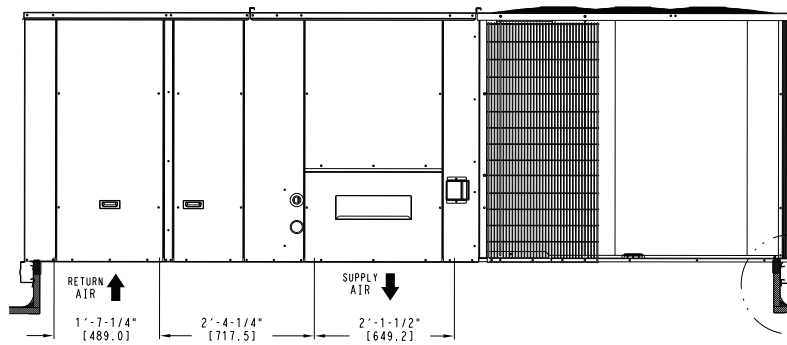
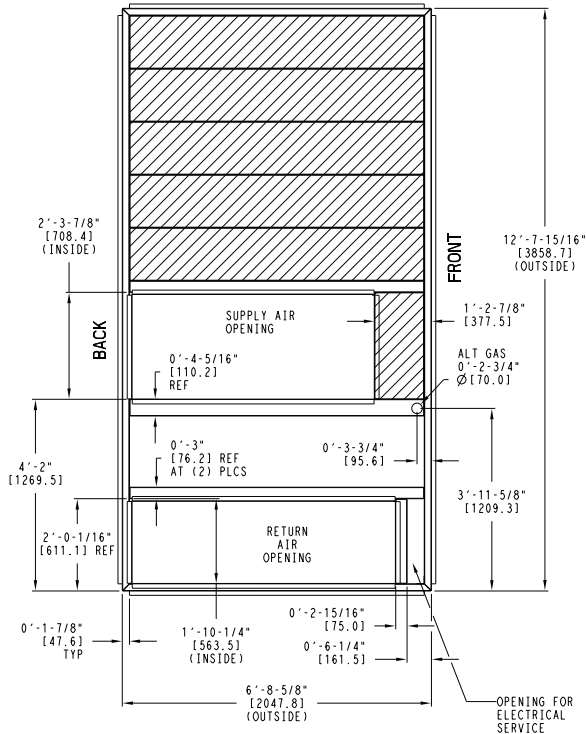


Fig. 6 - Roof Curb Details – 24 and 28 Size Units

C09100

# DIMENSIONS (cont.)

UNIT SIZE	"A"	ROOF CURB ACCESSORY
30	1'-2" [356.0] 2'-0" [610.0]	CRRFCURB049A00 CRRFCURB050A00



- NOTES:
- 1 ROOF CURB ACCESSORY IS SHIPPED UNASSEMBLED.
  - 2 BOLT HEADS TO BE ON INSIDE OF FLANGE. CLEARANCE IS (1) 0-0-7/16" TYP ALL CORNERS.
  - 3 DIMENSIONS IN [ ] ARE IN MILLIMETERS.
  - 4 ROOF CURB GALVANIZED STEEL.
  - 5 ATTACH DUCTWORK TO CURB (FLANGES ON DUCT REST ON CURB)
  - 6 SERVICE CLEARANCE 4 FT ON EACH SIDE
  - 7 GAS SERVICE PLATE IS PART OF A SEPARATELY SHIPPED ACCESSORY PACKAGE.
  - 8 GAS SERVICE PLATE CAN BE USED WITH EITHER ACCESSORY ROOFCURB.

➔ DIRECTION OF AIR FLOW

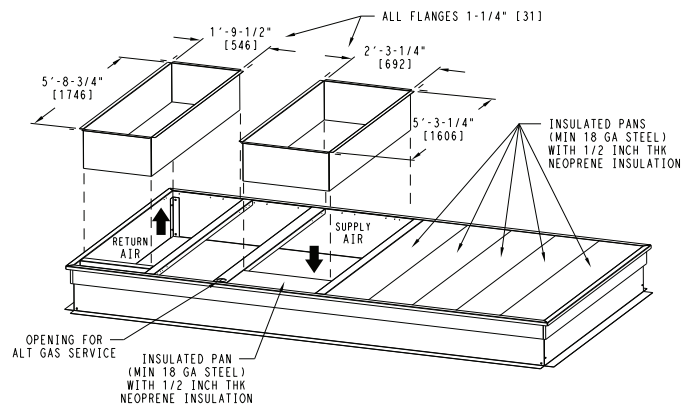
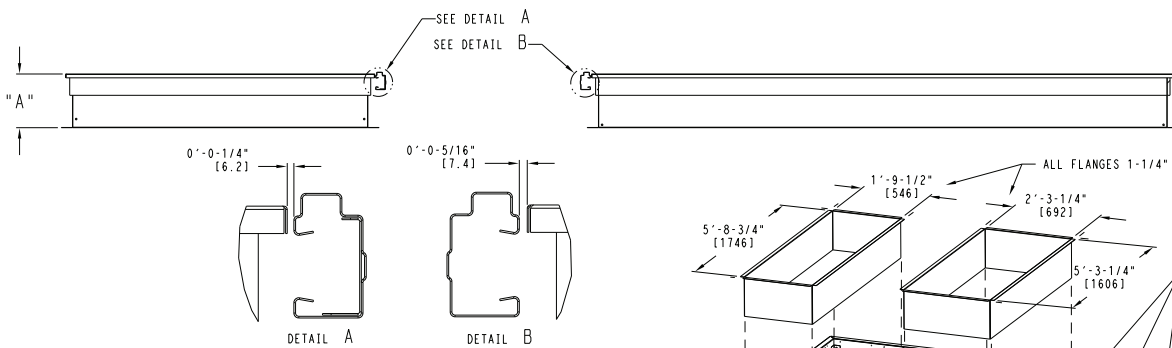
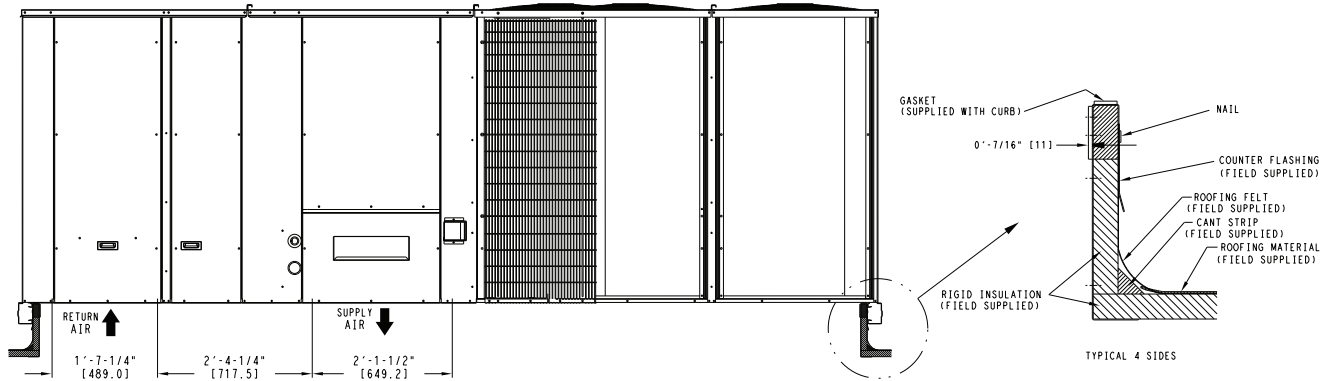
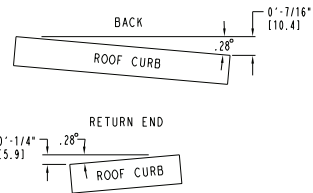


Fig. 7 - Roof Curb Details – 30 Size Unit

C11224

## OPTIONS AND ACCESSORIES WEIGHT ADDERS

BASE UNIT WITH OPTIONS AND ACCESSORIES (Weight Adders)	MAX WEIGHT ADDER									
	48TC**17		48TC**20		48TC**24		48TC**28		48TC**30	
	lb	kg	lb	kg	lb	kg	lb	kg	lb	kg
Humidi–MiZer <sup>1</sup>	110	50	110	50	120	55	120	55	---	---
Power Exhaust	125	57	125	57	125	57	125	57	125	57
EconoMiSer (IV, X, or 2)	246	112	246	112	246	112	246	112	246	112
Cu/Cu Condenser Coil <sup>2</sup>	28	13	28	13	30	14	34	15	34	15
Cu/Cu Condenser and Evaporator Coils <sup>2</sup>	53	24	53	24	58	26	64	29	64	29
Medium Gas Heat	90	41	90	41	90	41	90	41	90	41
High Gas Heat	113	51	113	51	113	51	113	51	113	51
Flue Discharge Deflector	7	3	7	3	7	3	7	3	7	3
Roof Curb 14–in (356mm)	240	109	240	109	255	116	255	116	255	116
Roof Curb 24–in (610mm)	340	154	340	154	355	161	355	161	355	161
Louvered Hail Guard	60	27	60	27	120	54	150	68	150	68
CO2 sensor	5	2	5	2	5	2	5	2	5	2
Return Smoke Detector	5	2	5	2	5	2	5	2	5	2
Supply Smoke Detector	5	2	5	2	5	2	5	2	5	2
Fan/Filter Status Switch	2	1	2	1	2	1	2	1	2	1
Non–Fused Disconnect	15	7	15	7	15	7	15	7	15	7
Powered Convenience Outlet	35	16	35	16	35	16	35	16	35	16
Non–Powered Convenience Outlet	5	2	5	2	5	2	5	2	5	2
Enthalpy Sensor	2	1	2	1	2	1	2	1	2	1
Differential Enthalpy Sensor	3	1	3	1	3	1	3	1	3	1
Two Position Motorized Damper	50	23	50	23	50	23	65	29	65	29
Manual Damper	35	16	35	16	35	16	40	18	40	18
Field Filter Track 4–in (102mm)	22	10	22	10	22	10	22	10	22	10
MotorMaster Controller	35	16	35	16	35	16	35	16	35	16
Medium Static Motor/Drive	5	2	6	3	6	3	6	3	10	5
High Static Motor/Drive	11	5	12	5	16	7	16	7	20	9
SAV System with VFD	20	9	20	9	20	9	20	9	20	9

<sup>1</sup> For Humidi–MiZer add MotorMaster Controller

<sup>2</sup> Where available

--- Not Available

## APPLICATION/SELECTION DATA

### Min operating ambient temp (cooling):

In mechanical cooling mode, your Carrier rooftop unit can safely operate down to an outdoor ambient temperature of 30°F (-1°C). It is possible to provide cooling at lower outdoor ambient temperatures by using less outside air, economizers, and/or accessory low ambient kits.

### Max operating ambient temp (cooling):

The maximum operating ambient temperature for cooling mode is 115°F (46°C). While cooling operation above 115°F (46°C) may be possible, it could cause either a reduction in performance, reliability, or a protective action by the unit's internal safety devices.

### Min mixed air temp (heating):

Using the factory settings, the minimum temperatures for the mixed air (the combined temperature of the warm return air and the cold outdoor air) entering the dimpled, gas heat exchangers are:

<u>Aluminized</u>	<u>Stainless Steel</u>
50°F (10°C) continuous	40°F (4°C) continuous
45°F (7°C) intermittent	35°F (2°C) intermittent

Operating at lower mixed-air temperatures may be possible, if a field-supplied, outdoor air thermostat initiates both heat stages when the temperature is less than the minimum temperatures listed above. Please contact your local Carrier representative for assistance.

### Min and max airflow (heating and cooling):

To maintain safe and reliable operation of your rooftop, operate within the heating airflow limits during heating mode and cooling airflow limits during cooling mode. Operating above the max may cause blow-off, undesired airflow noise, or airflow related problems with the rooftop unit. Operating below the min may cause problems with coil freeze-up and unsafe heating operation. Heating and cooling limitations differ when evaluating operating CFM, the minimum value is the HIGHER of the cooling and heating minimum CFM values published in Table 5 and the maximum value is the LOWER of the cooling and heating minimum values published in Table 5.

### Heating-to-cooling changeover:

Your unit will automatically change from heating to cooling mode when using a thermostat with an auto-change-over feature.

### Airflow:

All units are draw-through in cooling mode and blow-through in heating mode.

### Outdoor air application strategies:

Economizers reduce operating expenses and compressor run time by providing a free source of cooling and a means of ventilation to match application changing needs. In fact, they should be considered for most applications. Also, consider the various economizer control methods and their benefits, as well as sensors required to accomplish your application goals. Please contact your local Carrier representative for assistance.

### Motor limits, break horsepower (BHP):

Due to internal design of Carrier units, the air path, and specially designed motors, the full horsepower (maximum continuous BHP) band, as listed in Physical Data Table Cooling, can be used with the utmost confidence. There is no need for extra safety factors, as Carrier motors are designed and rigorously tested to use the entire, listed BHP range without either nuisance tripping or premature motor failure.

### Propane heating:

Propane has different physical qualities than natural gas. As a result, Propane requires different fuel to air mixture. To optimize the fuel/air mixture for Propane, Carrier sells different burner orifices in an easy to install accessory kit. To select the correct burner orifices or determine the heat capacity for an Propane application, use either the selection software, or the unit's service manual.

### High altitude heating:

High altitudes have less oxygen, which affects the fuel/air mixture in heat exchangers. In order to maintain a proper fuel/air mixture, heat exchangers operating in altitudes above 2000 ft (610m) require different orifices. To select the correct burner orifices or determine the heat capacity for a high altitude application, use either the selection software, or the unit's service manual.

High altitudes have less oxygen, which means heat exchangers need less fuel. The new gas orifices in this field-installed kit make the necessary adjustment for high altitude applications. They restore the optimal fuel to air mixture and maintain healthy combustion on altitudes above 2000 ft (610m).

**NOTE:** Typical natural gas heating value ranges from 975 to 1050 Btu/ft<sup>3</sup> at sea level nationally. The heating value goes down approximately 1.7% per every thousand feet elevation. Standard factory orifices can typically be used up to 2000 ft (610m) elevation without any operational issues.

**NOTE:** For installations in Canada, the input rating should be derated by 10% for altitudes from 2000 ft (610m) to 4500 ft (1372m) above sea level.

## APPLICATION/SELECTION DATA (cont.)

### Sizing a rooftop

Bigger isn't necessarily better. While an air conditioner needs to have enough capacity to meet the design loads, it doesn't need excess capacity. In fact, excess capacity typically results in very poor part load performance and humidity control.

Using higher design temperatures than ASHRAE recommends for your location, adding "safety factors" to the calculated load, are all signs of oversizing air conditioners. Oversizing the air conditioner leads to poor humidity control, reduced efficiency, higher utility bills, larger indoor temperature swings, excessive noise, and increased wear and tear on the air conditioner.

Rather than oversizing an air conditioner, engineers should "right-size" or even slightly undersize air conditioners. Correctly sizing an air conditioner controls humidity better; promotes efficiency; reduces utility bills; extends equipment life, and maintains even, comfortable temperatures. Please contact your local Carrier representative for assistance.

### Low ambient applications

The optional Carrier economizer can adequately cool your space by bringing in fresh, cool outside air. In fact, when so equipped, accessory low-ambient kit may not be necessary. In low ambient conditions, unless the outdoor air is excessively humid or contaminated, economizer-based "free cooling" is the preferred less costly and energy conscious method.

In low ambient applications where outside air might not be desired (such as contaminated or excessively humid outdoor environments), your Carrier rooftop can operate to ambient temperatures down to -20°F (-29°C) using the recommended accessory Motormaster low ambient controller or down to 25°F (-4°C) with the field installed Winter Start Package.

### Application/Selection Option

Selection software by Carrier saves time by performing many of the steps above. Contact your Carrier sales representative for assistance.

### Staged Air Volume (SAV) with Variable Frequency Drive (VFD)

Carrier's Staged Air Volume (SAV) system utilizes a Variable Frequency Drive (VFD) to automatically adjust the indoor fan motor speed in sequence with the units cooling operation. Per ASHRAE 90.1 2010 standard section 6.4.3.10.b, during the first stage of cooling operation the VFD will adjust the fan motor to provide 2/3rd of the total cfm established for the unit. When a call for the second stage of cooling is required, the VFD will allow the total cfm for the unit established (100%). During the heating mode, the VFD will allow total design cfm (100%) operation and during the ventilation mode the VFD will allow operation to 2/3rd of total cfm.

The VFD used in Carrier's SAV system has soft start capabilities to slowly ramp up the speeds, thus eliminating any high inrush air volume during initial start-up. It also has internal over current protection for the fan motor and a field installed display kit that allows adjustment and in depth diagnostics of the VFD.

This SAV system is available on models with 2-stage cooling operation with electrical mechanical or RTU Open (multi Protocol) controls. Both space sensor and conventional thermostats controls can be used to provide accurate control in any application.

The SAV system is very flexible for initial fan performance set up and adjustment. The standard factory shipped VFD is pre programmed to automatically stage the fan speed between the first and second stage of cooling. The unit fan performance static pressure and cfm can be easily adjusted using the traditional means of pulley adjustments. The other means to adjust the unit static and cfm performance is to utilize the field installed display module and adjust the frequency and voltage in the VFD to required performance requirements. In either case, once set up the VFD will automatically adjust the speed between the cooling stage operation.

Table 10 – COOLING CAPACITIES

2-STAGE COOLING

15 TONS

48TC*D17			AMBIENT TEMPERATURE												
			85			95			105			115			
			EAT (db)			EAT (db)			EAT (db)			EAT (db)			
CFM	EAT (wb)	Type	75	80	85	75	80	85	75	80	85	75	80	85	
			4500	58	TC	159.6	159.1	163.4	148.7	148.4	155.2	136.1	137.1	146.0	122.4
SHC	132.6	149.6			163.4	127.0	143.9	155.2	120.7	137.1	146.0	113.9	127.2	136.2	
62	TC	173.9			173.6	173.3	163.1	162.6	162.2	150.5	150.2	149.9	136.8	136.2	136.9
	SHC	119.4			136.8	153.9	114.1	131.5	148.6	108.2	125.7	142.6	101.9	119.2	135.8
67	TC	193.4			193.0	192.5	182.5	182.1	181.7	169.9	169.5	169.1	156.0	155.5	155.2
	SHC	102.3			119.7	137.0	97.3	114.8	132.3	91.7	109.4	126.9	85.7	103.5	121.1
72	TC	213.7		213.2	212.6	203.5	203.0	202.5	191.0	190.5	189.9	177.1	176.6	176.1	
	SHC	84.0		101.7	119.2	79.7	97.4	115.0	74.6	92.4	109.9	69.1	86.9	104.6	
76	TC	-		227.8	228.5	-	219.6	219.1	-	207.9	207.4	-	194.1	193.5	
	SHC	-		89.9	103.7	-	82.5	100.2	-	78.1	95.8	-	73.0	97.2	
5250	58	TC		168.7	168.5	176.4	157.0	158.2	167.7	143.9	148.2	158.0	129.5	137.5	147.4
		SHC		161.3	163.9	176.4	138.9	157.2	167.7	132.4	148.2	158.0	125.4	137.5	147.4
		62	TC	184.2	183.8	183.2	172.3	171.8	171.5	159.1	158.5	159.3	144.4	143.8	147.8
			SHC	129.4	149.6	168.9	123.9	144.0	163.5	117.9	137.9	156.4	111.4	131.3	147.8
		67	TC	204.7	204.0	203.5	193.1	192.6	192.2	179.7	179.2	178.7	164.8	164.3	163.6
			SHC	109.3	129.5	149.6	104.3	124.7	144.9	98.6	119.1	139.4	92.5	113.1	133.3
	72	TC	224.6	224.1	223.6	214.4	213.7	213.1	202.0	201.4	200.7	187.0	186.4	185.8	
		SHC	87.5	107.9	128.2	83.4	103.9	124.3	78.6	99.2	119.6	72.9	93.6	114.1	
	76	TC	-	239.1	239.6	-	230.6	230.1	-	218.4	217.7	-	204.4	203.7	
		SHC	-	92.6	110.2	-	86.4	107.0	-	82.0	102.6	-	77.1	97.8	
	6000	58	TC	176.9	178.5	188.9	164.3	168.9	179.6	150.3	158.4	169.1	136.1	146.9	157.7
			SHC	157.4	178.5	188.9	151.1	168.9	179.6	144.3	158.4	169.1	136.1	146.9	157.7
62			TC	193.2	192.7	192.2	180.4	179.7	180.7	166.2	165.6	170.1	150.5	150.0	158.1
			SHC	140.2	162.8	184.2	134.4	156.9	177.8	128.1	150.6	168.9	121.3	143.5	158.1
67			TC	214.4	213.7	213.0	202.1	201.6	201.0	187.7	187.1	186.4	171.8	171.1	170.4
			SHC	117.3	140.3	163.0	112.1	135.3	158.2	106.2	129.4	152.2	99.8	123.1	145.9
72		TC	234.9	234.6	234.2	224.0	223.3	222.5	210.9	210.1	209.3	194.9	194.1	193.4	
		SHC	92.7	115.9	139.1	88.4	111.8	134.8	83.4	106.8	130.0	77.5	101.0	124.3	
76		TC	-	250.7	250.9	-	240.9	240.1	-	227.5	226.7	-	212.7	211.8	
		SHC	-	95.7	118.9	-	92.1	115.3	-	87.4	110.8	-	82.4	105.8	
6750		58	TC	182.5	187.4	198.5	169.3	177.4	188.7	156.0	166.4	177.8	142.9	154.4	165.9
			SHC	167.5	187.4	198.5	161.2	177.4	188.7	153.0	166.4	177.8	142.9	154.4	165.9
	62		TC	199.3	198.7	199.6	186.0	185.2	188.9	171.2	170.5	208.4	154.7	155.5	166.2
			SHC	148.6	173.7	196.6	142.8	167.6	188.9	136.4	161.1	208.4	115.2	152.6	166.2
	67		TC	220.4	219.6	218.8	208.2	207.4	206.6	193.2	192.5	191.7	176.8	176.1	175.2
			SHC	122.6	148.2	173.6	117.6	143.4	168.7	111.6	137.6	162.9	97.2	131.3	156.3
	72	TC	241.2	240.5	240.2	229.8	228.9	228.1	216.3	215.4	214.6	200.2	199.4	198.6	
		SHC	95.1	120.9	146.6	90.8	116.8	142.6	85.8	111.9	137.8	80.0	106.2	118.0	
	76	TC	-	257.2	256.7	-	246.6	245.9	-	233.0	232.1	-	217.6	216.7	
		SHC	-	98.4	124.2	-	94.8	120.7	-	90.2	116.3	-	85.1	111.3	
	7500	58	TC	187.3	195.3	206.8	174.4	184.9	196.8	161.5	173.5	185.5	148.9	161.1	173.2
			SHC	177.5	195.3	206.8	169.9	184.9	196.8	161.5	173.5	185.5	148.9	161.1	173.2
62			TC	204.3	203.5	207.1	190.6	189.9	197.1	175.1	175.4	185.7	158.4	161.2	173.5
			SHC	156.5	183.9	207.1	150.7	177.9	197.1	144.1	170.2	185.7	137.1	161.2	173.5
67			TC	225.2	224.4	223.4	213.1	212.2	211.3	197.8	197.0	196.2	180.8	179.9	179.1
			SHC	127.5	155.8	183.5	122.8	151.2	178.9	116.8	145.5	173.1	110.3	139.0	166.3
72		TC	246.1	245.5	244.9	234.5	233.6	232.8	220.6	219.7	218.6	204.7	203.7	202.7	
		SHC	97.1	125.6	153.8	92.9	121.6	150.1	87.9	116.8	145.3	82.3	111.2	139.9	
76		TC	-	262.3	261.6	-	251.3	250.5	-	237.3	236.3	-	221.6	220.6	
		SHC	-	100.9	129.2	-	97.3	125.8	-	92.8	121.5	-	87.7	116.6	

Notes: See Minimum–Maximum Airflow Ratings in Table 5. Do not operate outside these limits.

LEGEND:

- Do not operate
- Cfm - Cubic feet per minute (supply air)
- EAT(db) - Entering air temperature (dry bulb)
- EAT(wb) - Entering air temperature (wet bulb)
- SHC - Sensible heat capacity
- TC - Total capacity

48TCE17 (15 TONS) – UNIT WITH HUMIDI-MIZER IN SUBCOOLING MODE										
Temp (F) Air Entering Condenser (Edb)		AIR ENTERING EVAPORATOR – CFM								
		4,500			6,000			7,500		
		Air Entering Evaporator – Ewb (F)								
75	TC	208.5	190.6	172.6	229.2	208.6	188.1	247.8	224.9	202.0
	SHC	94.0	114.5	135.0	104.5	125.2	145.9	113.0	133.8	154.6
	kW	13.42	13.05	12.70	13.60	13.21	12.80	13.82	13.36	13.15
85	TC	198.3	180.7	163.0	214.9	194.8	174.6	229.8	207.4	185.1
	SHC	74.1	99.6	125.1	85.2	110.9	136.7	94.1	120.0	145.9
	kW	14.79	14.42	14.10	14.97	14.58	14.20	15.19	14.73	14.51
95	TC	188.2	170.8	153.4	200.6	180.9	161.1	211.9	190.0	168.1
	SHC	54.4	84.8	115.3	65.9	96.7	127.5	75.1	106.2	137.2
	kW	16.23	15.86	15.50	16.41	16.02	15.60	16.63	16.17	15.95
105	TC	178.1	160.9	143.8	186.4	167.0	147.7	193.9	172.5	151.2
	SHC	34.6	70.0	105.4	46.5	82.4	118.2	56.1	92.3	128.5
	kW	17.47	17.10	16.80	17.65	17.26	16.90	17.87	17.41	17.25
115	TC	167.9	151.1	134.2	172.1	153.2	134.2	175.9	155.1	134.5
	SHC	14.8	55.2	95.6	27.2	68.1	109.0	37.1	78.5	119.8
	kW	18.87	18.50	18.20	19.05	18.66	18.30	19.27	18.81	18.55

48TCE17 (15 TONS) – UNIT WITH HUMIDI-MIZER IN HOT GAS REHEAT MODE										
Temp (F) Air Entering Condenser (Edb)		AIR ENTERING EVAPORATOR – Ewb (F)								
		75 Dry Bulb			75 Dry Bulb			75 Dry Bulb		
		62.5 Wet Bulb			64 Wet Bulb			65.3 Wet Bulb		
		(50% Relative)			(56% Relative)			(60% Relative)		
		Air Entering Evaporator – Cfm								
		4,500	6,000	7,500	4,500	6,000	7,500	4,500	6,000	7,500
80	TC	80.10	85.50	91.30	82.70	90.90	97.10	86.00	95.40	100.50
	SHC	12.70	22.30	34.20	5.10	12.10	21.20	-2.10	4.20	10.50
	kW	12.44	12.67	12.78	12.55	12.88	13.10	12.65	13.02	13.12
75	TC	82.30	87.60	93.40	84.70	93.00	99.20	88.10	97.30	102.50
	SHC	14.30	24.20	36.00	6.70	13.70	23.10	-0.50	5.80	12.60
	kW	12.38	12.62	12.73	12.50	12.83	13.05	12.62	12.98	13.07
70	TC	84.40	89.60	94.70	87.00	95.10	101.30	90.30	99.50	104.60
	SHC	16.10	25.70	37.30	8.20	15.80	24.50	1.10	7.50	13.70
	kW	12.34	12.58	12.69	12.47	12.78	13.03	12.59	12.93	13.02
60	TC	88.50	93.90	99.80	91.20	99.40	105.50	94.40	103.70	108.90
	SHC	19.40	29.20	40.70	11.50	18.60	27.80	4.60	10.50	16.90
	kW	12.28	12.52	12.63	12.41	12.73	12.97	12.53	12.84	12.94
50	TC	92.80	98.10	104.80	95.40	103.60	110.50	98.80	108.00	113.90
	SHC	22.70	32.20	43.80	14.80	22.10	31.30	7.70	13.90	20.50
	kW	12.21	12.45	12.56	12.34	12.68	12.91	12.46	12.75	12.85
40	TC	97.10	102.50	108.50	99.60	108.00	114.30	103.00	112.40	117.70
	SHC	26.00	35.40	46.90	17.90	25.30	34.40	10.80	17.10	23.80
	kW	12.14	12.38	12.49	12.27	12.60	12.84	12.40	12.70	12.80

**LEGEND**

- Edb – Entering Dry–Bulb
- Ewb – Entering Wet–Bulb
- kW – Compressor Motor Power Input
- ldb – Leaving Dry–Bulb
- lwb – Leaving Wet–Bulb
- SHC – Sensible Heat Capacity (1000 Btuh) Gross
- TC – Total Capacity (1000 Btuh) Gross

**NOTES:**

1. Direct interpolation is permissible. Do not extrapolate.
2. The following formulas may be used:

$$t_{ldb} = t_{edb} - \frac{\text{sensible capacity (Btuh)}}{1.10 \times \text{cfm}}$$

t<sub>lwb</sub> = Wet–bulb temperature corresponding to enthalpy of air leaving evaporator coil (h<sub>lwb</sub>)

$$h_{lwb} = h_{ewb} - \frac{\text{total capacity (Btuh)}}{4.5 \times \text{cfm}}$$

Where: h<sub>ewb</sub> = Enthalpy of air entering evaporator coil

Table 12 – COOLING CAPACITIES

2-STAGE COOLING

17.5 TONS

48TC*D20			AMBIENT TEMPERATURE												
			85			95			105			115			
			EAT (db)			EAT (db)			EAT (db)			EAT (db)			
			75	80	85	75	80	85	75	80	85	75	80	85	
5250 CFM	EAT (wb)	58	TC	180.4	185.6	196.3	167.7	176.1	186.9	154.7	165.3	176.6	142.2	153.6	164.9
			SHC	166.5	185.6	196.3	160.6	176.1	186.9	152.7	165.3	176.6	142.2	153.6	164.9
		62	TC	196.2	195.5	196.9	183.6	182.9	187.2	169.3	168.7	176.9	153.4	154.1	165.2
			SHC	146.8	172.1	194.7	141.4	166.6	187.2	135.4	160.5	176.9	128.6	152.5	165.2
		67	TC	216.7	215.9	215.2	204.9	204.1	203.1	190.6	189.7	189.0	174.8	174.0	173.3
	SHC	120.0	146.1	171.8	115.4	141.5	167.1	109.8	136.1	161.7	103.8	130.2	155.6		
	72	TC	237.4	236.8	236.0	226.0	225.1	224.2	212.8	211.9	211.0	197.3	196.4	195.5	
	SHC	92.0	118.3	144.3	87.8	114.3	140.4	83.0	109.6	135.8	77.6	104.2	130.6		
	76	TC	-	252.9	253.0	-	242.5	241.6	-	229.1	228.2	-	214.1	213.1	
	SHC	-	95.1	121.4	-	91.7	118.0	-	87.3	113.8	-	82.5	107.1		
6125 CFM	EAT (wb)	58	TC	188.8	198.5	209.3	176.5	188.2	200.2	164.5	176.7	189.0	151.9	164.2	176.7
			SHC	180.4	198.5	209.3	174.4	188.2	200.2	164.5	176.7	189.0	151.9	164.2	176.7
		62	TC	205.2	204.6	209.6	191.8	191.5	200.4	176.6	177.6	189.2	159.9	164.2	176.9
			SHC	159.9	188.7	209.6	154.2	183.0	200.4	147.9	174.8	189.2	141.0	164.2	176.9
		67	TC	225.5	224.5	223.5	213.5	212.5	211.7	199.1	198.3	197.4	182.3	181.4	180.9
	SHC	128.3	158.4	187.8	123.8	154.1	183.5	118.4	148.9	178.1	112.2	142.7	171.6		
	72	TC	245.6	245.3	244.6	234.7	233.6	232.6	220.9	219.9	218.8	205.5	204.4	203.4	
	SHC	95.4	125.9	155.7	91.7	122.2	152.4	86.9	117.7	148.1	81.7	112.5	143.1		
	76	TC	-	262.0	261.2	-	250.7	250.1	-	237.3	236.2	-	221.6	220.6	
	SHC	-	99.5	129.4	-	95.9	126.2	-	91.8	122.4	-	87.0	117.8		
7000 CFM	EAT (wb)	58	TC	197.4	209.8	221.3	186.1	199.1	211.7	173.8	186.9	200.1	160.3	173.5	186.9
			SHC	196.8	209.8	221.3	186.1	199.1	211.7	173.8	186.9	200.1	160.3	173.5	186.9
		62	TC	212.7	212.4	221.5	198.4	199.8	212.0	182.3	186.9	200.3	164.7	173.8	187.1
			SHC	173.4	205.1	221.5	167.4	197.4	212.0	160.8	186.8	200.3	153.4	173.8	187.1
		67	TC	233.7	232.5	231.4	220.8	219.8	218.9	205.6	204.5	204.1	187.8	186.8	188.0
	SHC	138.0	172.0	205.0	133.4	167.6	200.4	127.8	162.0	194.4	121.3	155.6	185.6		
	72	TC	254.3	253.3	252.8	242.7	241.5	240.3	228.0	226.8	225.7	211.8	210.6	209.3	
	SHC	101.3	135.4	169.2	97.3	131.8	165.9	92.3	127.2	161.5	86.9	121.8	156.3		
	76	TC	-	270.7	269.9	-	259.0	258.1	-	245.0	243.6	-	228.5	227.1	
	SHC	-	106.1	140.0	-	102.4	136.5	-	98.2	132.7	-	93.2	127.9		
7875 CFM	EAT (wb)	58	TC	205.0	217.2	229.1	193.4	206.9	219.3	180.6	194.3	207.9	166.6	180.5	194.5
			SHC	205.0	217.2	229.1	193.4	206.9	219.3	180.6	194.3	207.9	166.6	180.5	194.5
		62	TC	216.7	217.4	229.4	202.5	207.1	219.6	185.9	194.5	208.4	168.4	180.7	194.7
			SHC	183.9	217.4	229.4	178.2	207.1	219.6	171.5	194.5	208.4	141.2	180.7	194.7
		67	TC	237.8	236.7	235.7	224.7	223.5	223.0	209.5	208.3	209.2	191.5	190.3	195.0
	SHC	144.6	182.4	219.3	140.3	178.2	213.7	134.9	172.7	205.9	113.6	166.2	195.0		
	72	TC	258.6	257.5	256.5	246.8	245.7	244.3	231.8	230.5	229.2	215.3	213.9	212.5	
	SHC	103.9	141.8	179.2	100.0	138.3	176.1	95.1	133.9	172.1	89.7	128.6	142.0		
	76	TC	-	275.4	274.2	-	262.7	261.8	-	248.7	247.6	-	231.9	230.5	
	SHC	-	109.5	147.0	-	105.7	143.6	-	101.5	139.9	-	96.6	135.4		
8750 CFM	EAT (wb)	58	TC	211.3	223.6	235.9	199.7	213.4	225.7	186.4	200.7	214.3	172.1	186.5	200.9
			SHC	211.3	223.6	235.9	199.7	213.4	225.7	186.4	200.7	214.3	172.1	186.5	200.9
		62	TC	220.0	223.7	236.3	206.0	213.6	226.1	189.3	200.9	214.5	172.2	186.7	201.2
			SHC	194.0	223.7	236.3	188.5	213.6	226.1	181.3	200.9	214.5	172.2	186.7	201.2
		67	TC	241.1	240.1	239.7	227.9	226.6	226.9	212.7	211.4	214.9	194.4	193.0	201.4
	SHC	151.0	192.1	230.2	146.9	188.3	225.2	141.6	182.9	214.8	135.3	176.3	201.4		
	72	TC	262.2	261.0	259.7	250.0	248.8	247.7	235.0	233.5	232.1	218.1	216.6	215.2	
	SHC	106.5	148.1	189.0	102.5	144.5	186.0	97.8	140.4	182.1	92.4	135.3	177.1		
	76	TC	-	278.9	277.4	-	266.0	264.8	-	251.5	250.6	-	234.7	233.0	
	SHC	-	112.7	153.7	-	108.9	150.4	-	104.7	146.7	-	100.0	142.4		

Notes: See Minimum–Maximum Airflow Ratings in Table 5. Do not operate outside these limits.

LEGEND:

- Do not operate
- Cfm - Cubic feet per minute (supply air)
- EAT(db) - Entering air temperature (dry bulb)
- EAT(wb) - Entering air temperature (wet bulb)
- SHC - Sensible heat capacity
- TC - Total capacity



48TCE20 (17.5 TONS) – UNIT WITH HUMIDI-MIZER IN SUBCOOLING MODE										
Temp (F) Air Entering Condenser (Edb)		AIR ENTERING EVAPORATOR – CFM								
		5,250			7,000			8,750		
		Air Entering Evaporator – Ewb (F)								
		72	67	62	72	67	62	72	67	62
75	TC	218.7	199.6	180.5	241.4	219.4	197.4	261.7	237.2	212.7
	SHC	99.9	123.9	147.8	112.7	136.9	161.1	122.9	147.3	171.7
	kW	11.81	11.56	11.20	13.81	13.48	13.16	14.82	14.58	14.16
85	TC	206.6	187.9	169.1	224.9	203.4	181.9	241.3	217.3	193.4
	SHC	78.9	108.4	137.9	92.2	122.1	152.0	103.0	133.1	163.3
	kW	13.18	12.53	12.53	15.18	14.85	14.52	16.21	15.85	15.54
95	TC	194.7	176.2	157.8	208.4	187.4	166.4	220.8	197.4	174.1
	SHC	57.8	92.9	128.0	71.7	107.3	142.9	83.0	118.9	154.9
	kW	14.56	14.21	13.88	16.56	16.21	15.87	17.56	17.22	16.01
105	TC	182.7	164.5	146.4	191.9	171.4	150.8	200.3	177.6	154.8
	SHC	36.8	77.4	118.1	51.3	92.5	133.8	63.0	104.7	146.4
	kW	15.93	15.58	15.20	17.94	17.58	17.22	18.95	18.59	18.24
115	TC	170.6	152.8	135.0	175.4	155.4	135.3	179.8	157.7	135.5
	SHC	15.7	62.0	108.2	30.8	77.8	124.7	43.0	90.5	128.0
	kW	17.31	16.95	16.58	19.32	18.95	18.58	20.32	19.96	19.59

48TCE20 (17.5 TONS) – UNIT WITH HUMIDI-MIZER IN HOT GAS REHEAT MODE										
Temp (F) Air Entering Condenser (Edb)		AIR ENTERING EVAPORATOR – Ewb (F)								
		75 Dry Bulb			75 Dry Bulb			75 Dry Bulb		
		62.5 Wet Bulb			64 Wet Bulb			65.3 Wet Bulb		
		(50% Relative)			(56% Relative)			(60% Relative)		
		Air Entering Evaporator – Cfm								
		5,250	7,000	8,750	5,250	7,000	8,750	5,250	7,000	8,750
80	TC	82.20	90.50	92.40	86.70	96.40	97.80	91.60	99.80	101.20
	SHC	18.20	29.40	41.60	8.60	17.20	27.50	0.50	9.30	13.20
	kW	12.64	12.73	12.88	12.78	13.06	13.15	12.96	13.07	13.22
75	TC	84.40	92.70	94.40	88.80	98.60	99.70	93.70	102.00	103.40
	SHC	19.70	31.30	43.50	10.10	18.80	29.20	12.10	10.80	15.30
	kW	12.60	12.71	12.85	12.75	13.02	13.12	12.93	13.03	13.19
70	TC	86.70	94.90	96.60	91.00	100.70	102.00	95.90	104.10	105.40
	SHC	21.30	32.80	44.80	11.60	20.40	30.70	3.80	12.30	16.50
	kW	12.56	12.66	12.82	12.70	12.99	13.08	12.89	13.00	13.14
60	TC	90.90	99.10	100.80	95.20	105.00	106.30	100.20	108.30	109.70
	SHC	24.80	36.00	48.20	14.90	23.90	35.90	7.20	15.60	19.60
	kW	12.49	12.60	12.75	12.64	12.92	13.02	12.83	12.93	13.09
50	TC	95.00	103.40	105.10	99.50	109.40	110.50	104.40	112.50	113.90
	SHC	28.10	39.30	51.30	18.20	27.20	37.40	10.30	18.90	23.20
	kW	12.43	12.53	12.67	12.57	12.86	12.95	12.76	12.87	13.02
40	TC	99.20	107.70	109.30	103.70	113.70	114.70	108.60	116.70	118.10
	SHC	31.40	42.50	54.40	21.30	30.40	40.50	13.40	22.00	26.50
	kW	12.35	12.45	12.61	12.50	12.79	12.87	12.68	12.80	12.94

**LEGEND**

- Edb – Entering Dry-Bulb
- Ewb – Entering Wet-Bulb
- kW – Compressor Motor Power Input
- ldb – Leaving Dry-Bulb
- lwb – Leaving Wet-Bulb
- SHC – Sensible Heat Capacity (1000 Btuh) Gross
- TC – Total Capacity (1000 Btuh) Gross

**NOTES:**

1. Direct interpolation is permissible. Do not extrapolate.
2. The following formulas may be used:

$$t_{ldb} = t_{edb} - \frac{\text{sensible capacity (Btuh)}}{1.10 \times \text{cfm}}$$

$t_{lwb}$  = Wet-bulb temperature corresponding to enthalpy of air leaving evaporator coil ( $h_{lwb}$ )

$$h_{lwb} = h_{ewb} - \frac{\text{total capacity (Btuh)}}{4.5 \times \text{cfm}}$$

Where:  $h_{ewb}$  = Enthalpy of air entering evaporator coil

Table 14 – COOLING CAPACITIES

## 2-STAGE COOLING

20 TONS

48TC*D24			AMBIENT TEMPERATURE												
			85			95			105			115			
			EA (db)		85	EA (db)		85	EA (db)		85	EA (db)		85	
75	80	75	80	75		80	75		80	75		80			
6000 CFM	EAT (wb)	58	TC	213.1	217.2	228.7	199.9	207.5	219.4	184.8	195.8	208.4	169.6	182.6	195.6
			SHC	194.3	217.2	228.7	188.0	207.5	219.4	179.0	195.8	208.4	169.6	182.6	195.6
		62	TC	230.0	229.4	230.4	217.5	217.0	219.7	202.5	201.9	208.8	184.9	184.9	195.9
			SHC	170.0	199.9	225.9	164.6	194.5	219.7	158.3	187.8	208.8	150.9	178.7	195.9
		67	TC	251.5	251.1	250.6	239.4	238.7	238.1	225.4	224.7	224.0	208.8	208.2	207.4
	SHC	137.5	168.1	198.4	132.9	163.4	193.7	127.5	158.1	188.2	121.1	151.9	181.9		
	72	TC	274.0	273.8	273.5	262.3	261.7	261.0	248.2	247.4	246.6	232.2	231.3	230.5	
	SHC	104.3	135.1	165.6	100.1	130.9	161.4	95.1	125.9	156.6	89.6	120.5	151.3		
	76	TC	–	292.9	292.2	–	280.5	279.9	–	266.3	265.6	–	250.6	249.8	
	SHC	–	108.1	138.6	–	104.1	134.9	–	99.6	130.4	–	94.6	125.5		
7000 CFM	EAT (wb)	58	TC	220.8	229.7	241.7	208.4	219.7	232.2	194.3	208.1	221.0	180.1	194.2	207.9
			SHC	211.0	229.7	241.7	203.1	219.7	232.2	194.3	208.1	221.0	180.1	194.2	207.9
		62	TC	237.8	237.3	241.9	225.1	224.6	232.3	209.6	210.2	221.3	191.3	196.0	208.2
			SHC	183.3	217.8	241.9	178.2	212.1	232.3	171.8	203.8	221.3	164.3	196.0	208.2
		67	TC	260.0	259.2	258.5	247.2	246.4	245.7	232.7	231.9	231.7	215.8	215.0	214.3
	SHC	146.0	181.0	215.7	141.3	176.5	211.2	136.0	171.3	206.3	129.8	165.3	199.4		
	72	TC	283.3	282.5	281.8	270.6	269.8	268.9	255.9	255.0	254.1	240.0	238.9	238.0	
	SHC	107.9	143.2	178.1	103.6	139.0	174.1	98.6	134.2	169.5	93.2	129.0	164.4		
	76	TC	–	302.3	301.6	–	289.1	288.4	–	274.4	273.6	–	257.9	256.8	
	SHC	–	112.3	147.5	–	108.3	143.7	–	103.9	139.4	–	98.9	134.5		
8000 CFM	EAT (wb)	58	TC	232.1	243.6	256.1	219.8	233.4	246.0	206.9	221.3	234.5	192.1	206.8	221.2
			SHC	227.5	243.6	256.1	219.8	233.4	246.0	206.9	221.3	234.5	192.1	206.8	221.2
		62	TC	247.8	247.1	256.4	234.7	235.5	246.2	218.7	221.1	234.7	199.5	207.0	221.4
			SHC	199.5	236.7	256.4	194.3	229.1	246.2	187.8	221.1	234.7	179.9	207.0	221.4
		67	TC	270.2	269.3	268.3	257.0	256.1	255.2	242.1	241.0	240.3	224.5	223.5	223.1
	SHC	157.6	197.1	235.6	152.7	192.6	231.0	147.3	187.2	225.3	141.0	181.0	215.6		
	72	TC	294.1	293.1	292.2	280.7	279.7	278.4	265.9	264.7	263.8	248.9	247.6	246.6	
	SHC	114.8	154.6	193.9	110.3	150.4	190.0	105.4	145.6	185.5	99.7	140.1	180.2		
	76	TC	–	313.1	312.3	–	299.3	298.2	–	283.8	282.8	–	266.7	265.4	
	SHC	–	120.2	159.6	–	116.0	155.9	–	111.4	151.5	–	106.2	146.6		
9000 CFM	EAT (wb)	58	TC	238.5	252.5	266.0	226.8	241.6	255.6	213.1	228.2	243.0	197.5	213.0	229.2
			SHC	238.5	252.5	266.0	226.8	241.6	255.6	213.1	228.2	243.0	197.5	213.0	229.2
		62	TC	253.0	254.1	266.3	238.6	241.6	255.7	221.0	228.4	243.3	201.1	213.2	229.4
			SHC	211.9	249.1	266.3	206.2	241.6	255.7	199.2	228.4	243.3	164.2	213.2	229.4
		67	TC	276.9	275.8	274.8	263.0	261.8	261.0	246.5	245.2	246.6	228.2	225.9	229.6
	SHC	165.6	209.9	252.2	160.7	205.1	247.0	154.9	199.3	238.5	132.3	192.7	229.6		
	72	TC	302.2	301.0	299.7	287.9	286.6	285.4	272.3	270.9	269.6	254.3	252.9	251.6	
	SHC	118.2	162.8	206.8	113.5	158.4	202.9	108.5	153.4	198.0	102.7	147.8	165.1		
	76	TC	–	322.0	320.8	–	307.7	306.1	–	291.4	289.9	–	275.1	272.5	
	SHC	–	124.5	168.7	–	120.4	164.9	–	115.6	160.5	–	110.9	155.3		
10,000 CFM	EAT (wb)	58	TC	245.7	259.8	273.9	233.8	248.7	263.2	219.8	235.3	250.5	203.7	219.8	236.5
			SHC	245.7	259.8	273.9	233.8	248.7	263.2	219.8	235.3	250.5	203.7	219.8	236.5
		62	TC	256.8	260.7	274.2	242.2	249.0	263.3	224.6	235.6	250.6	205.6	220.0	236.8
			SHC	223.8	258.4	274.2	218.1	249.0	263.3	211.0	235.6	250.6	199.3	220.0	236.8
		67	TC	280.8	279.6	266.3	266.6	265.4	265.8	249.9	248.6	251.0	231.4	229.8	237.3
	SHC	173.2	221.8	266.3	168.3	217.0	258.7	162.6	211.4	250.7	156.4	204.7	237.3		
	72	TC	306.4	305.0	274.8	292.1	290.6	289.3	276.0	274.3	273.0	257.5	256.0	254.6	
	SHC	121.2	170.1	252.2	116.6	165.9	214.8	111.5	161.0	210.0	105.7	155.4	204.5		
	76	TC	–	326.2	299.7	–	311.4	310.0	–	295.2	293.2	–	277.0	275.3	
	SHC	–	128.2	206.8	–	124.0	172.9	–	119.5	168.9	–	114.3	163.8		

Notes: See Minimum–Maximum Airflow Ratings in Table 5. Do not operate outside these limits.

## LEGEND:

- Do not operate
- Cfm – Cubic feet per minute (supply air)
- EAT(db) – Entering air temperature (dry bulb)
- EAT(wb) – Entering air temperature (wet bulb)
- SHC – Sensible heat capacity
- TC – Total capacity

Table 15 – COOLING CAPACITIES

2-STAGE COOLING

20 TONS (cont.)

48TCE24 (20 TONS) – UNIT WITH HUMIDI-MIZER IN SUBCOOLING MODE										
Temp (F) Air Entering Condenser (Edb)		AIR ENTERING EVAPORATOR – CFM								
		6,000			8,000			10,000		
		Air Entering Evaporator – Ewb (F)								
		72	67	62	72	67	62	72	67	62
75	TC	263.0	240.4	217.7	301.0	274.0	246.9	336.9	305.6	274.4
	SHC	125.3	151.6	178.0	144.4	171.1	198.0	160.0	186.9	213.9
	kW	15.63	15.20	14.65	15.91	15.62	14.98	16.26	15.92	15.21
85	TC	248.2	226.1	204.0	279.2	252.9	226.6	308.4	278.2	248.0
	SHC	98.9	131.7	164.5	118.6	152.0	185.3	134.6	168.4	202.2
	kW	17.50	17.04	16.50	17.74	17.51	16.75	18.08	17.73	17.03
95	TC	233.4	211.8	190.2	257.3	231.8	206.4	279.8	250.7	221.5
	SHC	72.4	111.8	151.1	92.7	132.8	172.9	109.3	149.9	190.6
	kW	19.36	18.96	18.35	19.61	19.37	18.67	20.02	19.62	18.97
105	TC	218.6	197.5	176.5	235.4	210.7	186.1	251.3	223.2	195.1
	SHC	46.0	91.8	137.7	66.9	113.6	160.4	83.9	131.4	178.9
	kW	21.23	20.76	20.18	21.53	21.22	20.52	21.91	21.52	20.77
115	TC	203.7	183.3	162.8	213.5	189.7	165.8	222.7	195.7	168.7
	SHC	19.5	71.9	124.2	41.0	94.4	147.9	58.5	112.9	157.2
	kW	23.02	22.58	22.02	23.42	23.02	22.38	23.73	23.41	22.57

48TCE24 (20 TONS) – UNIT WITH HUMIDI-MIZER IN HOT GAS REHEAT MODE										
Temp (F) Air Entering Condenser (Edb)		AIR ENTERING EVAPORATOR – Ewb (F)								
		75 Dry Bulb			75 Dry Bulb			75 Dry Bulb		
		62.5 Wet Bulb			64 Wet Bulb			65.3 Wet Bulb		
		(50% Relative)			(56% Relative)			(60% Relative)		
		Air Entering Evaporator – Cfm								
		6,000	8,000	10,000	6,000	8,000	10,000	6,000	8,000	10,000
80	TC	91.50	100.80	109.50	95.80	105.70	112.40	102.30	110.80	118.60
	SHC	12.30	31.20	44.50	0.90	15.10	25.70	-6.50	3.60	13.90
	kW	14.82	15.01	15.24	15.35	15.45	15.52	15.56	15.65	15.73
75	TC	94.00	103.40	112.00	98.70	108.10	115.10	104.70	113.10	121.10
	SHC	13.60	32.40	45.70	2.00	16.00	26.60	-5.60	4.70	15.10
	kW	14.90	15.07	15.33	15.43	15.56	15.64	15.69	15.77	15.85
70	TC	96.50	106.00	114.30	100.90	110.60	117.20	107.20	115.80	123.50
	SHC	14.50	33.20	45.70	3.30	17.30	28.00	-4.00	5.90	16.20
	kW	14.97	15.17	15.41	15.50	15.66	15.75	15.80	15.87	15.94
60	TC	101.80	111.30	119.30	106.20	115.60	122.20	112.60	119.40	128.00
	SHC	16.70	35.50	48.60	5.60	19.40	30.30	-1.80	8.20	18.50
	kW	15.14	15.32	15.58	15.66	15.88	15.97	16.05	16.10	16.19
50	TC	107.20	116.40	124.30	111.50	120.70	127.30	117.70	125.20	132.90
	SHC	18.60	37.60	50.70	8.00	22.00	32.70	0.50	10.50	21.00
	kW	15.27	15.46	15.76	15.81	16.10	16.23	16.27	16.34	16.41
40	TC	112.20	121.80	129.20	116.60	125.70	132.00	123.20	130.00	138.00
	SHC	21.80	39.50	52.90	10.20	24.40	35.20	2.90	13.00	23.40
	kW	15.42	15.63	15.93	15.96	16.32	16.44	16.52	16.57	16.65

LEGEND

- Edb – Entering Dry-Bulb
- Ewb – Entering Wet-Bulb
- kW – Compressor Motor Power Input
- ldb – Leaving Dry-Bulb
- lwb – Leaving Wet-Bulb
- SHC – Sensible Heat Capacity (1000 Btuh) Gross
- TC – Total Capacity (1000 Btuh) Gross

NOTES:

1. Direct interpolation is permissible. Do not extrapolate.
2. The following formulas may be used:

$$t_{ldb} = t_{edb} - \frac{\text{sensible capacity (Btuh)}}{1.10 \times \text{cfm}}$$

$t_{lwb}$  = Wet-bulb temperature corresponding to enthalpy of air leaving evaporator coil ( $h_{lwb}$ )

$$h_{lwb} = h_{ewb} - \frac{\text{total capacity (Btuh)}}{4.5 \times \text{cfm}}$$

Where:  $h_{ewb}$  = Enthalpy of air entering evaporator coil

Table 16 – COOLING CAPACITIES

2-STAGE COOLING

25 TONS

48TC*D28			AMBIENT TEMPERATURE													
			85			95			105			115				
			EA (db)			EA (db)			EA (db)			EA (db)				
			75	80	85	75	80	85	75	80	85	75	80	85		
7,500 CFM	EAT (wb)	58	TC	257.3	266.5	279.6	247.5	255.4	269.0	231.5	243.3	257.2	214.3	229.2	243.7	
			SHC	247.5	266.5	279.6	231.1	255.4	269.0	223.5	243.3	257.2	213.2	229.2	243.7	
		62	TC	281.4	280.5	280.6	267.5	267.0	269.3	251.3	251.0	257.6	232.7	232.5	244.1	
			SHC	208.2	244.0	278.0	202.3	238.4	269.3	195.8	231.5	257.6	188.1	223.4	244.1	
		67	TC	307.4	306.4	305.7	293.0	292.2	291.4	276.9	276.2	275.4	259.7	259.2	258.8	
	SHC		168.7	205.7	242.3	163.2	200.3	236.9	157.1	194.4	230.7	150.6	188.4	224.8		
	72	TC	333.9	333.2	332.5	320.1	319.3	318.6	304.5	303.7	302.7	287.2	285.3	284.5		
		SHC	128.1	165.4	202.3	123.1	160.6	197.8	117.6	155.1	192.5	111.5	149.0	186.6		
	8,750 CFM	EAT (wb)	58	TC	269.8	280.2	294.4	255.3	268.9	283.2	241.1	256.1	270.7	225.5	241.3	257.3
				SHC	257.9	280.2	294.4	250.4	268.9	283.2	241.1	256.1	270.7	225.5	241.3	257.3
62			TC	289.9	289.3	294.6	275.3	274.9	283.6	258.7	258.2	271.0	238.8	241.6	257.6	
			SHC	224.2	265.0	294.6	218.6	258.6	283.6	212.0	251.7	271.0	203.9	241.6	257.6	
67			TC	316.2	315.7	314.5	301.7	300.8	299.8	285.1	284.2	283.4	266.7	266.0	265.2	
	SHC	179.0	221.6	263.1	173.5	216.4	257.9	167.5	210.5	251.9	161.0	204.5	245.1			
10,000 CFM	EAT (wb)	58	TC	277.1	291.8	306.8	264.9	280.2	295.3	251.2	267.0	282.3	235.1	252.2	268.1	
			SHC	275.3	291.8	306.8	264.9	280.2	295.3	251.2	267.0	282.3	235.1	252.2	268.1	
		62	TC	296.8	296.0	307.2	281.8	281.8	295.6	264.7	267.1	282.6	244.9	252.4	268.4	
			SHC	239.8	283.9	307.2	234.0	276.8	295.6	227.5	267.1	282.6	219.4	252.4	268.4	
		67	TC	323.5	322.6	321.4	308.5	307.4	306.5	291.3	290.2	289.3	272.5	271.5	270.8	
SHC	188.8		236.9	282.9	183.5	231.9	277.4	177.5	226.1	271.2	171.2	219.7	264.3			
11,250 CFM	EAT (wb)	58	TC	285.8	301.5	317.0	273.8	289.0	305.1	259.8	276.1	291.7	244.0	260.9	277.4	
			SHC	285.8	301.5	317.0	273.8	289.0	305.1	259.8	276.1	291.7	244.0	260.9	277.4	
		62	TC	302.2	302.3	317.4	286.3	289.5	305.4	269.6	276.4	208.4	249.3	261.1	277.6	
			SHC	254.3	300.2	317.4	245.8	289.5	305.4	242.1	276.4	208.4	201.5	261.1	277.6	
		67	TC	328.7	327.7	326.7	313.5	312.2	311.1	296.0	294.8	294.3	277.5	275.7	277.9	
SHC	197.9		251.1	301.0	192.8	246.4	295.4	187.0	240.4	288.0	160.9	234.6	277.9			
12,500 CFM	EAT (wb)	58	TC	293.7	309.8	325.6	280.3	297.3	313.5	267.0	283.5	299.8	250.8	268.3	284.8	
			SHC	293.7	309.8	325.6	280.3	297.3	313.5	267.0	283.5	299.8	250.8	268.3	284.8	
		62	TC	310.5	310.2	326.1	290.7	297.6	313.9	273.7	283.7	300.1	253.1	268.5	285.0	
			SHC	264.9	310.1	326.1	262.1	297.6	313.9	255.7	283.7	300.1	246.9	268.5	285.0	
		67	TC	333.1	331.7	330.9	317.5	316.2	315.9	299.8	298.7	300.3	280.7	279.6	285.5	
SHC	206.6		264.7	317.6	201.9	260.2	311.0	196.2	254.9	300.3	190.0	248.1	285.5			
7,500 CFM	EAT (wb)	72	TC	362.1	360.3	358.7	346.0	344.3	343.0	328.2	326.6	325.1	308.4	306.6	305.3	
			SHC	143.6	202.4	260.2	138.7	198.1	256.5	133.2	193.2	252.1	127.1	187.5	246.5	
		76	TC	-	384.3	382.5	-	368.1	366.3	-	349.5	347.8	-	331.0	328.7	
			SHC	-	151.9	210.1	-	147.5	206.4	-	142.5	201.9	-	137.4	195.2	

Notes: See Minimum–Maximum Airflow Ratings in Table 5. Do not operate outside these limits.

LEGEND:

- Do not operate
- Cfm – Cubic feet per minute (supply air)
- EAT(db) – Entering air temperature (dry bulb)
- EAT(wb) – Entering air temperature (wet bulb)
- SHC – Sensible heat capacity
- TC – Total capacity

48TCE28 (25 TONS) – UNIT WITH HUMIDI-MIZER IN SUBCOOLING MODE										
Temp (F) Air Entering Condenser (Edb)		AIR ENTERING EVAPORATOR – CFM								
		7,500			10,000			12,500		
		Air Entering Evaporator – Ewb (F)								
		72	67	62	72	67	62	72	67	62
75	TC	335.3	305.5	275.8	368.3	334.4	300.5	398.1	360.5	322.9
	SHC	149.6	181.7	213.7	172.8	205.5	238.2	191.7	224.9	258.2
	kW	19.50	18.70	17.70	19.50	18.70	17.70	19.70	18.80	17.90
85	TC	316.3	287.0	257.7	341.5	308.4	275.3	364.3	327.8	291.2
	SHC	120.8	160.5	200.2	144.6	185.2	225.8	164.0	205.4	246.7
	kW	21.90	21.30	20.10	22.30	21.30	20.30	22.50	21.70	20.60
95	TC	297.3	268.5	239.6	314.7	282.4	250.1	330.5	295.0	259.5
	SHC	92.1	139.4	186.7	116.4	164.9	213.5	136.3	185.8	235.3
	kW	24.30	23.50	22.50	24.40	23.50	22.60	24.40	23.60	22.50
105	TC	278.2	249.9	221.6	287.9	256.4	224.9	296.7	262.3	227.8
	SHC	63.3	118.2	173.2	88.3	144.7	201.1	108.7	166.3	223.9
	kW	26.70	26.00	25.00	27.30	26.00	25.00	27.30	26.10	25.10
115	TC	259.2	231.4	203.5	261.1	230.4	199.7	262.9	229.5	196.1
	SHC	34.5	97.1	159.7	60.1	124.4	188.7	81.0	146.7	191.2
	kW	28.70	28.00	27.10	29.30	28.10	26.90	29.10	27.90	27.20

48TCE28 (25 TONS) – UNIT WITH HUMIDI-MIZER IN HOT GAS REHEAT MODE										
Temp (F) Air Entering Condenser (Edb)		AIR ENTERING EVAPORATOR – Ewb (F)								
		75 Dry Bulb			75 Dry Bulb			75 Dry Bulb		
		62.5 Wet Bulb			64 Wet Bulb			65.3 Wet Bulb		
		(50% Relative)			(56% Relative)			(60% Relative)		
		Air Entering Evaporator – Cfm								
		7,500	10,000	12,500	7,500	10,000	12,500	7,500	10,000	12,500
80	TC	132.40	136.80	148.40	138.20	142.40	154.60	144.30	146.40	162.50
	SHC	37.80	61.50	85.50	21.80	44.40	52.40	16.10	32.10	48.90
	kW	17.90	18.15	18.21	18.05	18.33	18.43	18.26	18.55	18.62
75	TC	138.00	142.20	154.10	143.50	148.00	160.30	148.90	151.00	167.10
	SHC	44.20	68.00	91.80	28.10	51.50	58.80	22.70	38.20	56.00
	kW	17.77	18.00	18.07	17.92	18.19	18.29	18.14	18.40	18.48
70	TC	143.80	148.10	160.00	149.30	154.00	165.90	155.50	157.60	173.80
	SHC	50.50	73.80	98.10	34.20	56.50	65.30	28.30	44.00	62.30
	kW	17.63	17.86	17.93	17.78	18.04	18.14	18.03	18.26	18.34
60	TC	154.80	159.50	171.10	160.20	165.20	177.20	166.70	168.80	185.10
	SHC	63.10	84.50	110.10	46.50	69.50	75.70	41.40	56.50	74.30
	kW	17.35	17.58	17.65	17.50	17.76	17.85	17.70	17.97	18.04
50	TC	166.30	170.50	181.20	171.30	176.40	188.40	178.00	180.00	196.40
	SHC	75.80	96.50	122.20	58.30	79.80	87.80	53.70	69.10	85.90
	kW	17.06	17.30	17.37	17.22	17.46	17.56	17.42	17.69	17.76
40	TC	177.50	181.70	192.30	182.40	187.60	199.70	189.30	191.20	207.70
	SHC	85.70	109.80	134.30	71.50	92.30	100.50	66.10	79.50	97.90
	kW	16.76	17.01	17.09	16.93	17.18	17.28	17.14	17.41	17.47

**LEGEND**

- Edb – Entering Dry–Bulb
- Ewb – Entering Wet–Bulb
- kW – Compressor Motor Power Input
- ldb – Leaving Dry–Bulb
- lwb – Leaving Wet–Bulb
- SHC – Sensible Heat Capacity (1000 Btuh) Gross
- TC – Total Capacity (1000 Btuh) Gross

**NOTES:**

1. Direct interpolation is permissible. Do not extrapolate.
2. The following formulas may be used:

$$t_{ldb} = t_{edb} - \frac{\text{sensible capacity (Btuh)}}{1.10 \times \text{cfm}}$$

$t_{lwb}$  = Wet–bulb temperature corresponding to enthalpy of air leaving evaporator coil ( $h_{lwb}$ )

$$h_{lwb} = h_{ewb} - \frac{\text{total capacity (Btuh)}}{4.5 \times \text{cfm}}$$

Where:  $h_{ewb}$  = Enthalpy of air entering evaporator coil

Table 18 – COOLING CAPACITIES

## 2-STAGE COOLING

27.5 TONS

48TC*D30			Ambient Temperature												
			85			95			105			115			
			EA (dB)			EA (dB)			EA (dB)			EA (dB)			
			75	80	85	75	80	85	75	80	85	75	80	85	
7,500 CFM	EAT (wb)	58	THC	298	298	336.8	285.3	285.3	322.4	270.1	270.1	305.3	253.5	253.5	286.5
		SHC	259.2	298	336.8	248.2	285.3	322.4	235	270.1	305.3	220.5	253.5	286.5	
	62	THC	318.3	318.3	318.3	301.9	301.9	309	282.4	282.4	299.5	260.5	260.5	288.5	
		SHC	233.5	275.2	316.9	225.8	267.4	309	216.6	258.1	299.5	206.1	247.3	288.5	
	67	THC	352.3	352.3	352.3	335.9	335.9	335.9	317.1	317.1	317.1	294	294	294	
		SHC	193.3	235	276.8	186.4	228.3	270.1	178.7	220.5	262.4	169.3	211.1	252.9	
	72	THC	383.6	383.6	383.6	368.5	368.5	368.5	350.7	350.7	350.7	329.6	329.6	329.6	
		SHC	149.7	191.9	234.2	144	186.2	228.4	137.3	179.5	221.7	129.6	171.7	213.8	
	76	THC	–	404	404	–	390.3	390.3	–	373.1	373.1	–	353.4	353.4	
		SHC	–	154.8	200.2	–	150.2	195.6	–	144.5	189.9	–	138	183.2	
8,750 CFM	EAT (wb)	58	THC	315.7	315.7	356.8	302.4	302.4	341.8	286.8	286.8	324.1	269.2	269.2	304.3
		SHC	274.6	315.7	356.8	263	302.4	341.8	249.4	286.8	324.1	234.2	269.2	304.3	
	62	THC	329.7	329.7	346.7	312.7	312.7	338.3	293	293	328	271.1	271.1	314.6	
		SHC	251.3	299	346.7	243.3	290.8	338.3	233.7	280.9	328	222	268.3	314.6	
	67	THC	363.1	363.1	363.1	346.4	346.4	346.4	327.1	327.1	327.1	303.7	303.7	303.7	
		SHC	204.4	252.2	299.9	197.8	245.7	293.6	190.2	238.3	286.3	181	229.1	277.2	
	72	THC	392.4	392.4	392.4	377.4	377.4	377.4	359.5	359.5	359.5	338.6	338.6	338.6	
		SHC	153.8	201.6	249.3	148.4	196.3	244.3	141.9	190	238	134.5	182.7	230.8	
	76	THC	–	410.9	410.9	–	397.4	397.4	–	380	380	–	359.9	359.9	
		SHC	–	160.7	213.6	–	156.2	208.9	–	150.1	201.8	–	143.2	194.1	
10,000 CFM	EAT (wb)	58	THC	330.4	330.4	373.4	316.6	316.6	357.8	300.7	300.7	339.9	282.3	282.3	319
		SHC	287.4	330.4	373.4	275.4	316.6	357.8	261.6	300.7	339.9	245.6	282.3	319	
	62	THC	338.9	338.9	373.5	321.8	321.8	364.5	301.9	301.9	354.3	282.6	282.6	331.6	
		SHC	267.2	320.3	373.5	258.9	311.7	364.5	249.5	301.9	354.3	233.5	282.6	331.6	
	67	THC	371.1	371.1	371.1	354.3	354.3	354.3	334.7	334.7	334.7	310.9	310.9	310.9	
		SHC	214.5	267.9	321.3	208.2	262	315.7	200.9	254.9	308.9	191.9	246	300.1	
	72	THC	398.6	398.6	398.6	383.8	383.8	383.8	365.7	365.7	365.7	344.9	344.9	344.9	
		SHC	157.3	210.1	262.8	152.2	205.4	258.7	145.8	199.4	252.9	138.7	192.5	246.3	
	76	THC	–	415.7	415.7	–	402.3	402.3	–	384.9	384.9	–	364.5	364.5	
		SHC	–	165.2	223.6	–	160.5	218	–	154.6	211.3	–	147.8	203.9	
11,250 CFM	EAT (wb)	58	THC	342.7	342.7	387.3	328.7	328.7	371.4	312.7	312.7	353.3	293.5	293.5	331.7
		SHC	298.1	342.7	387.3	285.9	328.7	371.4	272	312.7	353.3	255.3	293.5	331.7	
	62	THC	346.8	346.8	396.7	329.7	329.7	387	313	313	367.3	293.8	293.8	344.8	
		SHC	281.1	338.9	396.7	272.5	329.7	387	258.6	313	367.3	242.8	293.8	344.8	
	67	THC	377.2	377.2	377.2	360.4	360.4	360.4	340.7	340.7	340.7	316.6	316.6	321.8	
		SHC	223.7	282.5	341.2	217.9	277.2	336.5	210.8	270.5	330.2	202.1	261.9	321.8	
	72	THC	403.1	403.1	403.1	388.6	388.6	388.6	370.3	370.3	370.3	349.5	349.5	349.5	
		SHC	160.3	217.7	275.1	155.5	213.7	271.9	149.3	208	266.7	142.4	201.4	260.5	
	76	THC	–	419.3	419.3	–	406	406	–	388.5	388.5	–	367.8	367.8	
		SHC	–	168.8	231.3	–	164.4	226.3	–	158.6	220	–	151.9	212.8	
12,500 CFM	EAT (wb)	58	THC	353	353	398.9	338.8	338.8	382.9	322.5	322.5	364.5	303.1	303.1	342.5
		SHC	307.1	353	398.9	294.7	338.8	382.9	280.6	322.5	364.5	263.7	303.1	342.5	
	62	THC	353.9	353.9	415.3	339.1	339.1	397.9	322.8	322.8	378.9	303.4	303.4	356	
		SHC	292.4	353.9	415.3	280.2	339.1	397.9	266.8	322.8	378.9	250.7	303.4	356	
	67	THC	381.9	381.9	381.9	365.2	365.2	365.2	345.3	345.3	350.4	321.3	321.3	342.2	
		SHC	232.3	296.1	360	227	291.6	356.3	220.1	285.2	350.4	211.5	276.8	342.2	
	72	THC	406.6	406.6	406.6	392.2	392.2	392.2	373.9	373.9	373.9	352.9	352.9	352.9	
		SHC	163.1	224.8	286.6	158.5	221.4	284.3	152.5	216.1	279.6	145.7	209.8	273.9	
	76	THC	–	422.1	422.1	–	408.9	408.9	–	391.2	391.2	–	370.3	370.3	
		SHC	–	172.2	238.5	–	167.9	234	–	162.3	228.1	–	155.7	221.2	

Notes: See Minimum–Maximum Airflow Ratings in Table 5. Do not operate outside these limits.

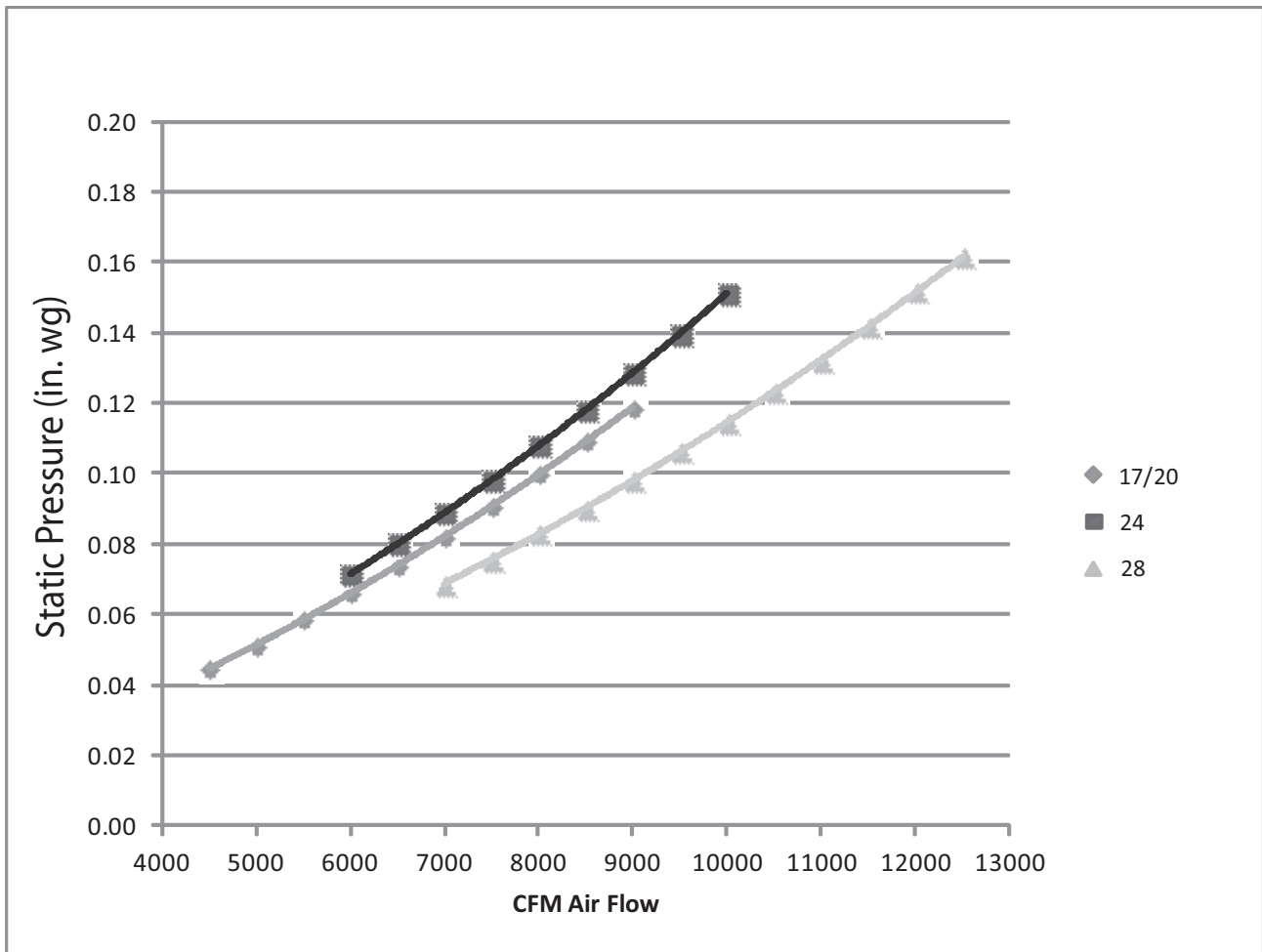
Humidi–MiZer available for 17–28 sizes only.

**LEGEND:**

- Do not operate
- Cfm – Cubic feet per minute (supply air)
- EAT(db) – Entering air temperature (dry bulb)
- EAT(wb) – Entering air temperature (wet bulb)
- SHC – Sensible heat capacity
- TC – Total capacity

# STATIC PRESSURE ADDERS (in wg.) - Factory Options and/or Accessories

## Humidi-MiZer Coil



C11175A

### Economizer - Vertical Duct Configuration

MODEL SIZES 17 - 30								
CFM	4500	5000	5500	6000	6500	7000	7500	8000
Static Pressure Adder (in. wg)	0.047	0.052	0.057	0.062	0.067	0.072	0.077	0.082

MODEL SIZES 17 - 30									
CFM	8500	9000	9500	10000	10500	11000	11500	12000	12500
Static Pressure Adder (in. wg)	0.088	0.093	0.098	0.103	0.109	0.114	0.119	0.125	0.131

# DAMPER, BAROMETRIC RELIEF AND PE PERFORMANCE

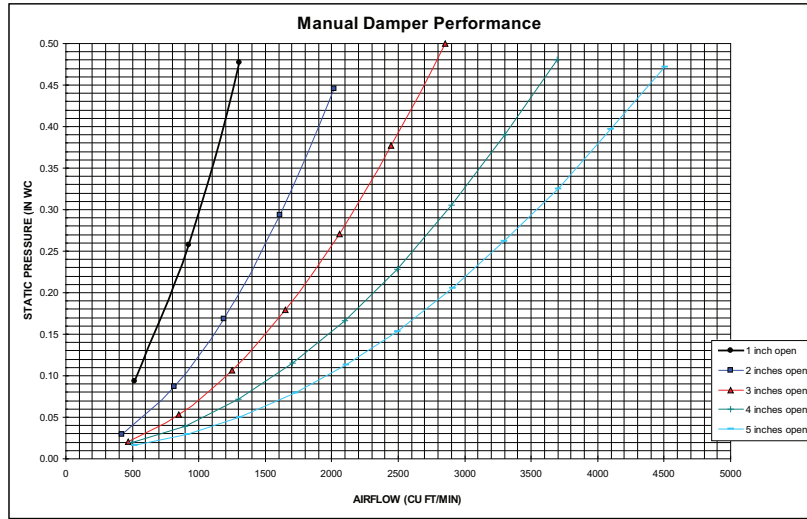


Fig. 8 - Manual Damper Performance

C09264

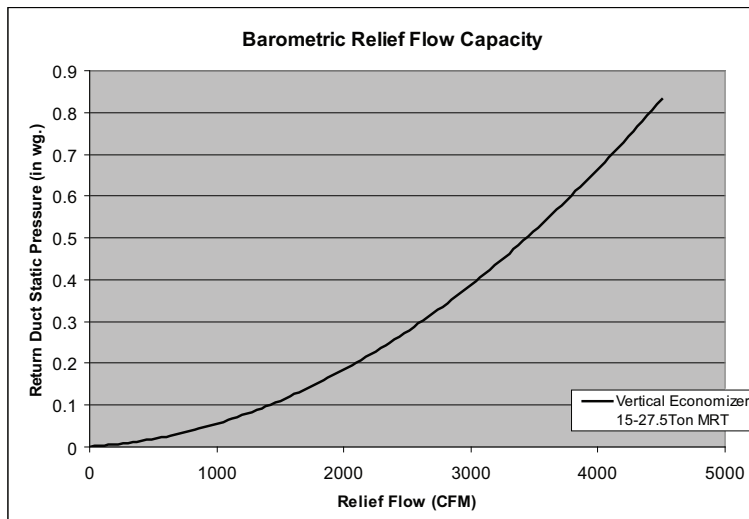


Fig. 9 - Barometric Relief Flow Capacity

C11307

## Power Exhaust Fan Performance

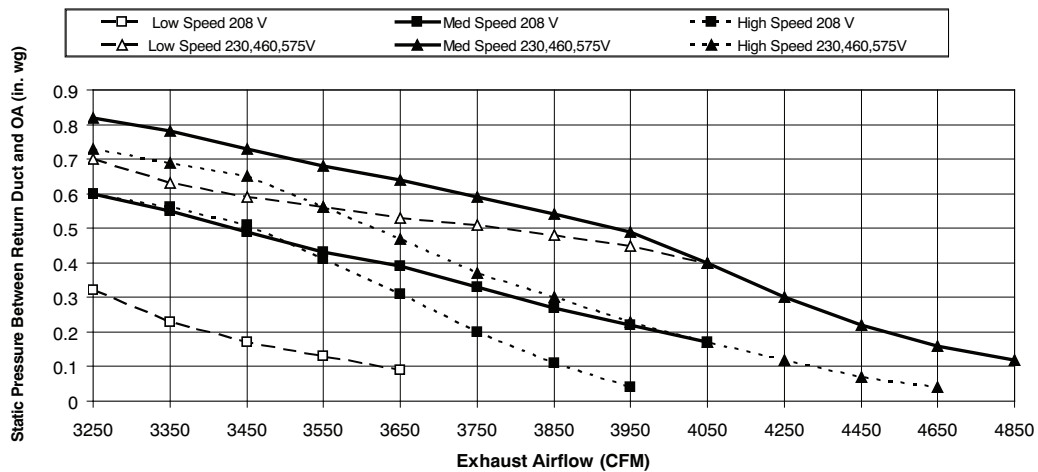


Fig. 10 - Power Exhaust Fan Performance

C11308



## **GENERAL FAN PERFORMANCE NOTES:**

1. Interpolation is permissible. Do not extrapolate.
2. External static pressure is the static pressure difference between the return duct and the supply duct plus the static pressure caused by any FIOPs or accessories.
3. Tabular data accounts for pressure loss due to clean filters, high gas heat, unit casing, and wet coils. Factory options and accessories may add static pressure losses. Selection software is available, through your salesperson, to help you select the best motor/drive combination for your application.
4. The Fan Performance tables offer motor/drive recommendations. In cases when two motor/drive combinations would work, Carrier recommended the lower horsepower option.
5. For information on the electrical properties of Carrier motors, please see the Electrical information section of this book.
6. For more information on the performance limits of Carrier motors, see the application data section of this book.

# FAN PERFORMANCE

Table 19 – 48TC\*D17

## VERTICAL SUPPLY / RETURN

15 TON

CFM	Available External Static Pressure (in. wg)									
	0.2		0.4		0.6		0.8		1.0	
	RPM	BHP	RPM	BHP	RPM	BHP	RPM	BHP	RPM	BHP
4500	<b>490</b>	<b>0.76</b>	575	1.07	653	1.41	724	1.79	791	2.19
4900	517	0.92	597	1.24	671	1.60	740	1.99	804	2.41
5250	541	1.08	618	1.42	688	1.79	754	2.19	817	2.62
5600	566	1.26	639	1.61	707	2.00	770	2.42	831	2.86
6000	595	1.49	664	1.86	729	2.27	790	2.70	848	3.15
6400	624	1.75	690	2.14	751	2.56	810	3.01	866	3.48
6750	650	2.00	713	2.41	772	2.84	829	3.30	883	3.79
7100	<b>676</b>	<b>2.27</b>	736	2.70	793	3.15	848	3.63	901	4.13
7500	706	2.62	763	3.06	<b>819</b>	<b>3.54</b>	871	4.03	922	4.55
CFM	Available External Static Pressure (in. wg)									
	1.2		1.4		1.6		1.8		2.0	
	RPM	BHP	RPM	BHP	RPM	BHP	RPM	BHP	RPM	BHP
4500	854	2.63	913	3.09	970	3.57	<b>1024</b>	<b>4.09</b>	<b>1077</b>	<b>4.62</b>
4900	<b>865</b>	<b>2.86</b>	923	3.33	978	3.83	<b>1031</b>	<b>4.35</b>	<b>1082</b>	<b>4.89</b>
5250	876	3.08	932	3.56	986	4.07	<b>1038</b>	<b>4.60</b>	1088	5.15
5600	888	3.33	943	3.82	995	4.34	<b>1046</b>	<b>4.88</b>	-----	-----
6000	903	3.64	956	4.14	1008	4.67	1057	5.22	-----	-----
6400	920	3.98	971	4.50	1021	5.04	-----	-----	-----	-----
6750	935	4.30	986	4.83	-----	-----	-----	-----	-----	-----
7100	952	4.65	1000	5.19	-----	-----	-----	-----	-----	-----
7500	971	5.08	-----	-----	-----	-----	-----	-----	-----	-----
Std Static Motor and Drive – 514–680 RPM, Max BHP 2.2					Medium Static Motor and Drive – 679–863 RPM, Max BHP 3.3					
High Static Motor and Drive – 826–1009 RPM, Max BHP 4.9					– Outside operating range					
<b>Boldface</b> – Field Supplied Drive					<i>ITALIC</i> – Field Supplied Motor and Drive					

Table 20 – 48TC\*D20

## VERTICAL SUPPLY / RETURN

17.5 TON

CFM	Available External Static Pressure (in. wg)									
	0.2		0.4		0.6		0.8		1.0	
	RPM	BHP	RPM	BHP	RPM	BHP	RPM	BHP	RPM	BHP
5250	<b>541</b>	<b>1.08</b>	<b>618</b>	<b>1.42</b>	688	1.79	754	2.19	817	2.62
5700	<b>573</b>	<b>1.31</b>	645	1.67	712	2.06	775	2.48	835	2.93
6100	<b>602</b>	<b>1.55</b>	670	1.93	734	2.34	795	2.77	852	3.23
6500	631	1.81	696	2.21	757	2.64	815	3.09	871	3.57
7000	668	2.19	729	2.61	787	3.06	843	3.53	896	4.03
7500	706	2.62	763	3.06	819	3.54	871	4.03	922	4.55
7900	736	3.00	791	3.47	844	3.96	895	4.47	944	5.00
8300	767	3.42	819	3.90	870	4.41	919	4.94	967	5.49
8750	801	3.94	852	4.44	900	4.97	948	5.52	993	6.09
CFM	Available External Static Pressure (in. wg)									
	1.2		1.4		1.6		1.8		2.0	
	RPM	BHP	RPM	BHP	RPM	BHP	RPM	BHP	RPM	BHP
5250	876	3.08	932	3.56	986	4.07	1038	4.60	<b>1088</b>	<b>5.15</b>
5700	892	3.40	946	3.90	998	4.42	1049	4.96	<b>1097</b>	<b>5.52</b>
6100	907	3.72	960	4.23	1011	4.76	1060	5.31	<b>1107</b>	<b>5.89</b>
6500	924	4.07	975	4.59	1025	5.13	1072	5.70	<b>1119</b>	<b>6.28</b>
7000	947	4.55	996	5.09	1044	5.65	<b>1090</b>	<b>6.23</b>	1135	6.83
7500	971	5.08	1019	5.64	1064	6.22	1109	6.82	1152	7.44
7900	992	5.55	1038	6.13	1082	6.72	1126	7.34	-----	-----
8300	1013	6.06	1057	6.65	1101	7.26	-----	-----	-----	-----
8750	1038	6.68	1081	7.29	-----	-----	-----	-----	-----	-----
Std Static Motor and Drive – 622–822 RPM, Max BHP 3.3					Medium Static Motor and Drive – 713–879 RPM, Max BHP 4.9					
High Static Motor and Drive – 882–1078 RPM, Max BHP 6.5					– Outside operating range					
<b>Boldface</b> – Field Supplied Drive					<i>ITALIC</i> – Field Supplied Motor and Drive					

## FAN PERFORMANCE (cont.)

**Table 21 – 48TC\*D24**

### VERTICAL SUPPLY / RETURN

**20 TON**

CFM	Available External Static Pressure (in. wg)									
	0.2		0.4		0.6		0.8		1.0	
	RPM	BHP	RPM	BHP	RPM	BHP	RPM	BHP	RPM	BHP
6000	<b>605</b>	<b>1.48</b>	<b>674</b>	<b>1.77</b>	738	2.08	798	2.41	854	2.74
6500	<b>644</b>	<b>1.82</b>	709	2.14	770	2.47	827	2.81	881	3.17
7000	<b>683</b>	<b>2.22</b>	744	2.56	802	2.91	857	3.28	908	3.65
7500	722	2.68	781	3.04	836	3.41	888	3.80	938	4.19
8000	762	3.20	818	3.58	870	3.97	920	4.38	968	4.79
8500	803	3.78	855	4.19	905	4.60	953	5.02	999	5.46
9000	843	4.43	893	4.86	941	5.30	987	5.74	1032	6.19
9500	884	5.15	932	5.61	978	6.06	1022	6.53	1065	7.01
10000	925	5.95	970	6.43	1015	6.91	1057	7.40	1098	7.89
CFM	Available External Static Pressure (in. wg)									
	1.2		1.4		1.6		1.8		2.0	
	RPM	BHP	RPM	BHP	RPM	BHP	RPM	BHP	RPM	BHP
6000	907	3.10	958	3.46	1006	3.84	1052	4.23	1097	4.63
6500	932	3.54	981	3.92	1027	4.31	1073	4.72	1116	5.14
7000	958	4.04	1005	4.43	1051	4.84	1094	5.27	1137	5.70
7500	985	4.59	1031	5.01	1075	5.44	1118	5.87	1159	6.32
8000	1014	5.21	1058	5.65	1101	6.09	1142	6.55	-----	-----
8500	1044	5.90	1087	6.35	1128	6.82	1168	7.29	-----	-----
9000	1075	6.66	1116	7.13	1156	7.61	-----	-----	-----	-----
9500	1106	7.49	1146	7.98	-----	-----	-----	-----	-----	-----
10000	1139	8.40	-----	-----	-----	-----	-----	-----	-----	-----
Std Static Motor and Drive – 690–863 RPM, Max BHP 4.9					Medium Static Motor and Drive – 835–1021 RPM, Max BHP 6.5					
High Static Motor and Drive – 941–1176 RPM, Max BHP 8.7					– Outside operating range					
<b>Boldface</b> – Field Supplied Drive										

**Table 22 – 48TC\*D28**

### VERTICAL SUPPLY / RETURN

**25 TON**

CFM	Available External Static Pressure (in. wg)									
	0.2		0.4		0.6		0.8		1.0	
	RPM	BHP	RPM	BHP	RPM	BHP	RPM	BHP	RPM	BHP
7500	<b>713</b>	<b>2.25</b>	778	2.61	838	2.97	894	3.36	946	3.76
8000	752	2.68	814	3.06	871	3.44	925	3.85	976	4.26
8500	791	3.17	850	3.56	905	3.97	957	4.39	1006	4.83
9000	831	3.71	887	4.12	939	4.55	989	4.99	1037	5.45
9500	870	4.31	924	4.75	974	5.19	1023	5.66	1069	6.13
10000	910	4.83	961	5.43	1010	5.90	1057	6.38	1102	6.87
10500	950	5.70	999	6.18	1046	6.67	1091	7.17	1135	7.69
11000	990	6.50	1037	7.01	1083	7.52	1126	8.04	1168	8.57
11500	1030	7.38	1076	7.90	1119	8.43	-----	-----	-----	-----
12000	1070	8.33	-----	-----	-----	-----	-----	-----	-----	-----
12500	-----	-----	-----	-----	-----	-----	-----	-----	-----	-----
CFM	Available External Static Pressure (in. wg)									
	1.2		1.4		1.6		1.8		2.0	
	RPM	BHP	RPM	BHP	RPM	BHP	RPM	BHP	RPM	BHP
7500	996	4.17	1044	4.60	1089	5.05	1133	5.51	1175	5.98
8000	1024	4.70	1071	5.14	1115	5.60	1158	6.07	-----	-----
8500	1053	5.27	1098	5.74	1141	6.21	-----	-----	-----	-----
9000	1083	5.91	1127	6.39	1169	6.88	-----	-----	-----	-----
9500	1113	6.61	1156	7.11	-----	-----	-----	-----	-----	-----
10000	1145	7.38	-----	-----	-----	-----	-----	-----	-----	-----
10500	-----	-----	-----	-----	-----	-----	-----	-----	-----	-----
11000	-----	-----	-----	-----	-----	-----	-----	-----	-----	-----
11500	-----	-----	-----	-----	-----	-----	-----	-----	-----	-----
12000	-----	-----	-----	-----	-----	-----	-----	-----	-----	-----
12500	-----	-----	-----	-----	-----	-----	-----	-----	-----	-----
Std Static Motor and Drive – 717–911 RPM, Max BHP 4.9					Medium Static Motor and Drive – 913–1116 RPM, Max BHP 6.5					
High Static Motor and Drive – 941–1176 RPM, Max BHP 8.7					– Outside operating range					
<b>Boldface</b> – Field Supplied Drive										

## FAN PERFORMANCE (cont.)

Table 23 – 48TC\*D30

VERTICAL SUPPLY / RETURN

27.5 TON

CFM	Available External Static Pressure (in. wg)									
	0.2		0.4		0.6		0.8		1.0	
	RPM	BHP	RPM	BHP	RPM	BHP	RPM	BHP	RPM	BHP
8250	791	2.86	852	3.28	908	3.72	960	4.16	1010	4.60
8800	836	3.40	893	3.86	947	4.32	998	4.78	1045	5.26
9350	881	4.02	936	4.50	987	4.99	1036	5.48	1082	5.98
9900	926	4.71	979	5.22	1028	5.74	1075	6.26	1120	6.78
10450	972	5.48	1022	6.02	1069	6.56	1115	7.11	1158	7.66
11000	1018	6.33	1066	6.90	1111	7.47	1155	8.04	1197	8.62
11550	1064	7.27	1110	7.86	1154	8.46	1196	9.06	1236	9.66
12100	1110	8.30	1154	8.92	1196	9.54	1237	10.17	1277	10.80
12650	1156	9.42	1199	10.07	1240	10.72	1279	11.38	-----	-----
13200	1203	10.64	1244	11.32	<b>1283</b>	<b>12.00</b>	-----	-----	-----	-----
13750	<b>1249</b>	<b>11.97</b>	<b>1289</b>	<b>12.67</b>	-----	-----	-----	-----	-----	-----
CFM	Available External Static Pressure (in. wg)									
	1.2		1.4		1.6		1.8		2.0	
	RPM	BHP	RPM	BHP	RPM	BHP	RPM	BHP	RPM	BHP
8250	1056	5.05	1101	5.51	1144	5.98	1185	6.45	1225	6.93
8800	1091	5.73	1134	6.22	1176	6.71	1216	7.20	1255	7.71
9350	1126	6.48	1168	6.99	1209	7.51	1248	8.03	1286	8.56
9900	1162	7.31	1203	7.84	1243	8.38	1281	8.93	-----	-----
10450	1199	8.21	1239	8.77	1278	9.34	-----	-----	-----	-----
11000	1237	9.20	1276	9.79	-----	-----	-----	-----	-----	-----
11550	1276	10.27	-----	-----	-----	-----	-----	-----	-----	-----
12100	-----	-----	-----	-----	-----	-----	-----	-----	-----	-----
12650	-----	-----	-----	-----	-----	-----	-----	-----	-----	-----
13200	-----	-----	-----	-----	-----	-----	-----	-----	-----	-----
13750	-----	-----	-----	-----	-----	-----	-----	-----	-----	-----
Std Static Motor and Drive – 751–954 RPM, Max BHP 6.5					Medium Static Motor and Drive – 920–1190 RPM, Max BHP 10.5					
High Static Motor & Drive – 1116–1400 RPM, Max BHP 11.9					– Outside operating range					
<b>Boldface</b> – Field-supplied motor required										

## FAN PERFORMANCE (cont.)

**Table 24 – PULLEY ADJUSTMENT - VERTICAL**

UNIT	MOTOR/DRIVE COMBO	MOTOR PULLEY TURNS OPEN										
		0	0.5	1	1.5	2	2.5	3	3.5	4	4.5	5
17	Standard Static	680	663	647	630	614	597	580	564	547	531	514
	Medium Static	863	845	826	808	789	771	753	734	716	697	679
	High Static	1009	991	972	954	936	918	899	881	863	844	826
20	Standard Static	822	802	782	762	742	722	702	682	662	642	622
	Medium Static	879	862	846	829	813	796	779	763	746	730	713
	High Static	1078	1058	1039	1019	1000	980	960	941	921	902	882
24	Standard Static	863	846	828	811	794	777	759	742	725	707	690
	Medium Static	1021	1002	984	965	947	928	909	891	872	854	835
	High Static	1176	1153	1129	1106	1082	1059	1035	1012	988	965	941
28	Standard Static	911	892	872	853	833	814	795	775	756	736	717
	Medium Static	1116	1096	1075	1055	1035	1015	994	974	954	933	913
	High Static	1176	1153	1129	1106	1082	1059	1035	1012	988	965	941
30	Standard Static	954	934	913	893	873	853	832	812	792	771	751
	Medium Static	1190	1163	1136	1109	1082	1055	1028	1001	974	947	920
	High Static	1400	1372	1343	1315	1286	1258	1230	1201	1173	1144	1116

**NOTE:** Do not adjust pulley further than 5 turns open.

■ – Factory settings

# ELECTRICAL DATA FOR UNITS PRODUCED ON OR AFTER JULY 30, 2012

**NOTE:** Check the serial number of unit to verify production date.

To confirm the date of manufacture, locate the unit nameplate and check the first four digits of the Serial Number. If the number listed in the first 4 digits of the Serial Number is 3112 or higher, the unit was produced on or after July 30, 2012.

Position:	1	2	3	4	5	6	7	8	9	10
Example:	3	1	1	2	U	1	2	3	4	5

Week of manufacture  
(fiscal calendar)

Sequence number

Year of manufacture  
("12" = 2012)

Manufacturing location

C12562A

## Legend and Notes1

### LEGEND:

- BRKR - Circuit breaker
- CO - Convenience outlet
- DISC - Disconnect
- FLA - Full load amps
- LRA - Locked rotor amps
- MCA - Minimum circuit amps
- PE - Power exhaust
- PWRD CO - Powered convenient outlet
- UNPWR CO - Unpowered convenient outlet



Example: Supply voltage is 230-3-60



- AB = 224 v
- BC = 231 v
- AC = 226 v

$$\text{Average Voltage} = \frac{(224 + 231 + 226)}{3} = \frac{681}{3} = 227$$

Determine maximum deviation from average voltage.

(AB)  $227 - 224 = 3$  v

(BC)  $231 - 227 = 4$  v

(AC)  $227 - 226 = 1$  v

Maximum deviation is 4 v.

Determine percent of voltage imbalance.

$$\begin{aligned} \% \text{ Voltage Imbalance} &= 100 \times \frac{4}{227} \\ &= 1.76\% \end{aligned}$$

This amount of phase imbalance is satisfactory as it is below the maximum allowable 2%.

**IMPORTANT:** If the supply voltage phase imbalance is more than 2%, contact your local electric utility company immediately.

$$\% \text{ Voltage Imbalance} = 100 \times \frac{\text{max voltage deviation from average voltage}}{\text{average voltage}}$$

**ELECTRICAL INFORMATION**  
**(UNITS PRODUCED ON OR AFTER JULY 30, 2012)**

**Table 25 – 2-STAGE COOLING WITH SINGLE SPEED INDOOR FAN MOTOR**

**15 - 27.5 TONS**

UNIT	V-Ph-Hz	VOLTAGE RANGE		COMP 1		COMP 2		OFM (ea)		IFM		
		MIN	MAX	RLA	LRA	RLA	LRA	WATTS	FLA	TYPE	EFF at Full Load	FLA
48TC**17	208-3-60	187	253	29.5	195	30.1	225	350	1.5	STD	88.6%	8.4
										MED	87.0%	10.6
										HIGH	82.9%	13.6
	230-3-60	187	253	29.5	195	30.1	225	350	1.5	STD	88.6%	8.3
										MED	87.0%	10.6
										HIGH	82.9%	12.7
	460-3-60	414	506	14.7	95	16.7	114	277	0.9	STD	88.6%	4.2
										MED	87.0%	5.3
										HIGH	82.9%	6.4
	575-3-60	518	633	12.2	80	12.2	80	397	0.6	STD	81.1%	2.8
										MED	81.1%	2.8
										HIGH	83.6%	5.6
48TC**20	208-3-60	187	253	29.5	195	30.1	225	350	1.5	STD	87.0%	10.6
										MED	82.9%	13.6
										HIGH-High Eff.	89.5%	17.1
	230-3-60	187	253	29.5	195	30.1	225	350	1.5	STD	87.0%	10.6
										MED	82.9%	12.7
										HIGH-High Eff.	89.5%	17.1
	460-3-60	414	506	14.7	95	16.7	114	277	0.9	STD	87.0%	5.3
										MED	82.9%	6.4
										HIGH-High Eff.	89.5%	8.6
	575-3-60	518	633	12.2	80	12.2	80	397	0.6	STD	81.1%	2.8
										MED	83.6%	5.6
										HIGH-High Eff.	89.5%	7.6
48TC**24	208-3-60	187	253	48.1	245	29.5	195	350	1.5	STD	82.9%	13.6
										MED-High Eff.	89.5%	17.1
										HIGH-High Eff.	91.7%	28.5
	230-3-60	187	253	48.1	245	29.5	195	350	1.5	STD	82.9%	12.7
										MED-High Eff.	89.5%	17.1
										HIGH-High Eff.	91.7%	28.5
	460-3-60	414	506	18.6	125	14.7	95	277	0.9	STD	82.9%	6.4
										MED-High Eff.	89.5%	8.6
										HIGH-High Eff.	91.7%	14.3
	575-3-60	518	633	14.7	100	12.2	80	397	0.6	STD	83.6%	5.6
										MED-High Eff.	89.5%	7.6
										HIGH-High Eff.	91.7%	9.5

See: "Legend and Notes" on page 46

**Table 25 - 2-STAGE COOLING WITH SINGLE INDOOR FAN MOTOR**

**15 - 27.5 TONS (CONTINUED)**

UNIT	V-Ph-Hz	VOLTAGE RANGE		COMP 1		COMP 2		OFM (ea)		IFM		
		MIN	MAX	RLA	LRA	RLA	LRA	WATTS	FLA	TYPE	EFF at Full Load	FLA
48TC**28	208-3-60	187	253	48.1	245	48.1	245	350	1.5	STD	82.9%	13.6
										MED-High Eff.	89.5%	17.1
										HIGH-High Eff.	91.7%	28.5
	230-3-60	187	253	48.1	245	48.1	245	350	1.5	STD	82.9%	12.7
										MED-High Eff.	89.5%	17.1
										HIGH-High Eff.	91.7%	28.5
	460-3-60	414	506	18.6	125	18.6	125	277	0.9	STD	82.9%	6.4
										MED-High Eff.	89.5%	8.6
										HIGH-High Eff.	91.7%	14.3
	575-3-60	518	633	14.7	100	14.7	100	397	0.6	STD	83.6%	5.6
										MED-High Eff.	89.5%	7.6
										HIGH-High Eff.	91.7%	9.5
48TC**30	208-3-60	187	253	51.3	300	51.3	300	350	1.5	STD	89.5%	17.1
										MED-High Eff.	91.7%	28.5
										HIGH-High Eff.	91.7%	30.4
	230-3-60	187	253	51.3	300	51.3	300	350	1.5	STD	89.5%	17.1
										MED-High Eff.	91.7%	28.5
										HIGH-High Eff.	91.7%	30.4
	460-3-60	414	506	23.1	150	23.1	150	277	0.9	STD	89.5%	8.6
										MED-High Eff.	91.7%	14.3
										HIGH-High Eff.	91.7%	15.2
	575-3-60	518	633	19.9	109	19.9	109	397	0.6	STD	89.5%	7.6
										MED-High Eff.	91.7%	9.5
										HIGH-High Eff.	91.7%	12.4

See: "Legend and Notes" on page 46



**ELECTRICAL INFORMATION**  
**(UNITS PRODUCED ON OR AFTER JULY 30, 2012) cont.**

**Table 26 – 2-STAGE COOLING WITH 2-SPEED INDOOR FAN MOTOR**

**15 - 27.5 TONS**

UNIT	V-Ph-Hz	VOLTAGE RANGE		COMP 1		COMP 2		OFM (ea)		IFM		
		MIN	MAX	RLA	LRA	RLA	LRA	WATTS	FLA	TYPE	EFF at Full Load	FLA
48TC**17	208-3-60	187	253	29.5	195	30.1	225	350	1.5	STD	85.0%	8.6
										MED	81.5%	10.8
										HIGH	83.6%	13.6
	230-3-60	187	253	29.5	195	30.1	225	350	1.5	STD	85.0%	7.8
										MED	81.5%	9.8
										HIGH	83.6%	12.7
	460-3-60	414	506	14.7	95	16.7	114	277	0.9	STD	85.0%	3.8
										MED	81.5%	4.9
										HIGH	83.6%	6.4
	575-3-60	518	633	12.2	80	12.2	80	397	0.6	STD	81.1%	4.5
										MED	81.1%	4.5
										HIGH	83.6%	6.2
48TC**20	208-3-60	187	253	29.5	195	30.1	225	350	1.5	STD	81.5%	10.8
										MED	83.6%	13.6
										HIGH	89.5%	17.1
	230-3-60	187	253	29.5	195	30.1	225	350	1.5	STD	81.5%	9.8
										MED	83.6%	12.7
										HIGH	89.5%	17.1
	460-3-60	414	506	14.7	95	16.7	114	277	0.9	STD	81.5%	4.9
										MED	83.6%	6.4
										HIGH	89.5%	8.6
	575-3-60	518	633	12.2	80	12.2	80	397	0.6	STD	81.1%	4.5
										MED	83.6%	6.2
										HIGH	89.5%	7.6
48TC**24	208-3-60	187	253	48.1	245	29.5	195	350	1.5	STD	83.6%	13.6
										MED	89.5%	17.1
										HIGH	91.7%	28.5
	230-3-60	187	253	48.1	245	29.5	195	350	1.5	STD	83.6%	12.7
										MED	89.5%	17.1
										HIGH	91.7%	28.5
	460-3-60	414	506	18.6	125	14.7	95	277	0.9	STD	83.6%	6.4
										MED	89.5%	8.6
										HIGH	91.7%	14.3
	575-3-60	518	633	14.7	100	12.2	80	397	0.6	STD	83.6%	6.2
										MED	89.5%	7.6
										HIGH	91.7%	9.5
48TC**28	208-3-60	187	253	48.1	245	48.1	245	350	1.5	STD	83.6%	13.6
										MED	89.5%	17.1
										HIGH	91.7%	28.5
	230-3-60	187	253	48.1	245	48.1	245	350	1.5	STD	83.6%	12.7
										MED	89.5%	17.1
										HIGH	91.7%	28.5
	460-3-60	414	506	18.6	125	18.6	125	277	0.9	STD	83.6%	6.4
										MED	89.5%	8.6
										HIGH	91.7%	14.3
	575-3-60	518	633	14.7	100	14.7	100	397	0.6	STD	83.6%	6.2
										MED	89.5%	7.6
										HIGH	91.7%	9.5
48TC**30	208-3-60	187	253	51.3	300	51.3	300	350	1.5	STD	89.5%	17.1
										MED	91.7%	28.5
										HIGH	91.7%	30.4
	230-3-60	187	253	51.3	300	51.3	300	350	1.5	STD	89.5%	17.1
										MED	91.7%	28.5
										HIGH	91.7%	30.4
	460-3-60	414	506	23.1	150	23.1	150	277	0.9	STD	89.5%	8.6
										MED	91.7%	14.3
										HIGH	91.7%	15.2
	575-3-60	518	633	19.9	109	19.9	109	397	0.6	STD	89.5%	7.6
										MED	91.7%	9.5
										HIGH	91.7%	12.4

See: "Legend and Notes" on page 46

**ELECTRICAL INFORMATION  
(UNITS PRODUCED ON OR AFTER JULY 30, 2012) cont.**

**Table 27 – UNIT WIRE/FUSE OR HACR BREAKER SIZING DATA - NO C.O. OR UNPWR C.O.**

UNIT	NOM. V-Ph-Hz	IFM TYPE	NO C.O. or UNPWR C.O.									
			NO P.E.					w/ P.E. (pwrd fr/ unit)				
			MCA	MAX FUSE or HACR BRKR	FLA	DISC. SIZE	LRA	MCA	MAX FUSE or HACR BRKR	FLA	DISC. SIZE	LRA
48TC**17	208/230-3-60	STD	80.0/79.9	100/100	83/83	501	91.8/91.7	100/100	97/97	521		
		MED	82.2	100	86	515	94.0	110	99	535		
		HIGH	85.2/84.3	100/100	89/88	517	97.0/96.1	125/125	103/102	537		
		STD	42.5	50	44	251	48.7	60	51	263		
		MED	43.6	60	45	258	49.8	60	52	270		
		HIGH	44.7	60	47	259	50.9	60	54	271		
	575-3-60	STD	32.1	40	33	188	36.9	45	39	196		
		MED	32.1	40	33	188	36.9	45	39	196		
		HIGH	34.9	45	37	202	39.7	50	42	210		
		STD	82.2	100	86	515	94.0	110	99	535		
		MED	85.2/84.3	100/100	89/88	517	97.0/96.1	125/125	103/102	537		
		HIGH - High Efficiency	88.7	100	93	513	100.5	125	107	533		
48TC**20	460-3-60	STD	43.6	60	45	258	49.8	60	52	270		
		MED	44.7	60	47	259	50.9	60	54	271		
		HIGH - High Efficiency	46.9	60	49	257	53.1	60	56	269		
		STD	32.1	40	33	188	36.9	45	39	196		
		MED	34.9	45	37	202	39.7	50	42	210		
		HIGH - High Efficiency	36.9	45	39	200	41.7	50	44	208		
	208/230-3-60	STD	109.2/108.3	150/150	112/111	540	121.0/120.1	150/150	125/124	560		
		MED - High Efficiency	112.7	150	116	536	124.5	150	129	556		
		HIGH - High Efficiency	124.1	150	129	615	135.9	175	142	635		
		STD	48.0	60	50	272	54.2	60	57	284		
		MED - High Efficiency	50.2	60	52	270	56.4	70	59	282		
		HIGH - High Efficiency	55.9	70	59	310	62.1	80	66	322		
48TC**24	460-3-60	STD	38.6	50	40	224	43.4	50	46	232		
		MED - High Efficiency	40.6	50	42	222	45.4	60	48	230		
		HIGH - High Efficiency	42.5	50	45	249	47.3	60	50	257		
		STD	82.2	100	86	515	94.0	110	99	535		
		MED	85.2/84.3	100/100	89/88	517	97.0/96.1	125/125	103/102	537		
		HIGH - High Efficiency	88.7	100	93	513	100.5	125	107	533		

See: "Legend and Notes" on page 46

**ELECTRICAL INFORMATION  
(UNITS PRODUCED ON OR AFTER JULY 30, 2012) cont.**

**Table 27 - UNIT WIRE/FUSE OR HACR BREAKER SIZING DATA - NO C.O. OR UNPWR C.O. (CONT.)**

UNIT	NOM. V-Ph-Hz	IFM TYPE	NO C.O. or UNPWR C.O.												
			NO RE.					w/ RE. (pwrd fr/ unit)							
			MCA	MAX FUSE or HACR BRKR	FLA	DISC. SIZE	LRA	MCA	MAX FUSE or HACR BRKR	FLA	DISC. SIZE	LRA			
48TC**28	208/230-3-60	STD	127.8/126.9	175/175	133/132	590	139.6/138.7	175/175	147/146	610					
		MED- High Efficiency	131.3	175	137	586	143.1	175	151	606					
		HIGH- High Efficiency	142.7	175	150	665	154.5	200	164	685					
		STD	51.9	60	54	302	58.1	70	61	314					
		MED- High Efficiency	54.1	60	57	300	60.3	70	64	312					
		HIGH- High Efficiency	59.8	70	63	340	66.0	80	70	352					
48TC**30	208/230-3-60	STD	41.1	50	43	244	45.9	60	49	252					
		MED- High Efficiency	43.1	50	45	242	47.9	60	51	250					
		HIGH- High Efficiency	45.0	50	47	269	49.8	60	53	277					
		STD	141.5	175	148	702	153.3	200	162	722					
		MED- High Efficiency	152.9	200	161	781	164.7	200	175	801					
		HIGH- High Efficiency	154.8	200	163	812	166.6	200	177	832					
48TC**30	460-3-60	STD	66.0	80	69	354	72.2	90	76	366					
		MED- High Efficiency	71.7	90	76	394	77.9	100	83	406					
		HIGH- High Efficiency	72.6	90	77	409	78.8	100	84	421					
		STD	56.0	70	59	264	60.8	80	64	272					
		MED- High Efficiency	57.9	70	61	291	62.7	80	66	299					
		HIGH- High Efficiency	60.8	80	64	302	65.6	80	70	310					

See: "Legend and Notes" on page 46

**ELECTRICAL INFORMATION  
(UNITS PRODUCED ON OR AFTER JULY 30, 2012) cont.**

**Table 28 – UNIT WIRE/FUSE OR HACR BREAKER SIZING DATA - W/PWRD C.O.**

UNIT	NOM. V-Ph-Hz	IFM TYPE	w/ PWRD C.O.										
			NO PE.					w/ PE. (pwrd fr/ unit)					
			MCA	MAX FUSE or HACR BRKR	FLA	DISC. SIZE		LRA	MCA	MAX FUSE or HACR BRKR	FLA	DISC. SIZE	
48TC**17	208/230-3-60	STD	84.8/84.7	100/100	89/89	506	96.6/96.5	125/125	102/102			526	
		MED	87.0	100	91	520	98.8	125	105			540	
	460-3-60	HIGH	90.0/89.1	100/100	95/94	522	101.8/100.9	125/125	108/107			542	
		STD	44.7	60	47	253	50.9	60	54			265	
	575-3-60	MED	45.8	60	48	260	52.0	60	55			272	
		HIGH	46.9	60	49	261	53.1	60	56			273	
		STD	33.8	45	35	190	38.6	50	41			198	
		MED	33.8	45	35	190	38.6	50	41			198	
	48TC**20	208/230-3-60	HIGH	36.6	45	39	204	41.4	50	44			212
			STD	87.0	100	91	520	98.8	125	105			540
460-3-60		MED	90.0/89.1	100/100	95/94	522	101.8/100.9	125/125	108/107			542	
		HIGH - High Efficiency	93.5	110	99	518	105.3	125	112			538	
575-3-60		STD	45.8	60	48	260	52.0	60	55			272	
		MED	46.9	60	49	261	53.1	60	56			273	
		HIGH - High Efficiency	49.1	60	52	259	55.3	60	59			271	
		STD	33.8	45	35	190	38.6	50	41			198	
48TC**24		208/230-3-60	MED	36.6	45	39	204	41.4	50	44			212
			HIGH - High Efficiency	38.6	50	41	202	43.4	50	46			210
	460-3-60	STD	114.0/113.1	150/150	117/116	545	125.8/124.9	150/150	131/130			565	
		MED - High Efficiency	117.5	150	121	541	129.3	175	135			561	
	575-3-60	HIGH - High Efficiency	128.9	175	134	620	140.7	175	148			640	
		STD	50.2	60	52	274	56.4	70	59			286	
		MED - High Efficiency	52.4	60	55	272	58.6	70	62			284	
		HIGH - High Efficiency	58.1	70	61	312	64.3	80	69			324	
	575-3-60	STD	40.3	50	42	226	45.1	50	48			234	
		MED - High Efficiency	42.3	50	44	224	47.1	60	50			232	
HIGH - High Efficiency		44.2	50	47	251	49	60	52			259		

See: "Legend and Notes" on page 46

**ELECTRICAL INFORMATION  
(UNITS PRODUCED ON OR AFTER JULY 30, 2012) cont.**

**Table 28 - UNIT WIRE/FUSE OR HACR BREAKER SIZING DATA - W/PWRD C.O. (CONT.)**

UNIT	NOM. V-Ph-Hz	IFM TYPE	w/ PWRD C.O.						w/ PWRD C.O.							
			NO P.E.			w/ RE. (pwrd fr/ unit)			NO P.E.			w/ RE. (pwrd fr/ unit)				
			MCA	MAX FUSE or HACR BRKR	FLA	DISC. SIZE	LRA	MCA	MAX FUSE or HACR BRKR	FLA	DISC. SIZE	LRA	MCA	MAX FUSE or HACR BRKR	FLA	DISC. SIZE
48TC**28	208/230-3-60	STD	132.6/131.7	175/175	139/138	595	144.4/143.5	175/175	152/151	615						
		MED- High Efficiency	136.1	175	143	591	147.9	175	156	690						
	460-3-60	HIGH- High Efficiency	147.5	175	156	670	159.3	200	169	690						
		STD	54.1	60	57	304	60.3	70	64	316						
		MED- High Efficiency	56.3	70	59	302	62.5	80	66	314						
		HIGH- High Efficiency	62.0	80	66	342	68.2	80	73	354						
48TC**30	575-3-60	STD	42.8	50	45	246	47.6	60	50	254						
		MED- High Efficiency	44.8	50	47	244	49.6	60	53	252						
	208/230-3-60	HIGH- High Efficiency	46.7	60	49	271	51.5	60	55	279						
		STD	146.3	175	154	707	158.1	200	167	727						
		MED- High Efficiency	157.7	200	167	786	169.5	200	180	806						
		HIGH- High Efficiency	159.6	200	169	817	171.4	200	182	837						
460-3-60	STD	68.2	90	72	356	74.4	90	79	368							
	MED- High Efficiency	73.9	90	78	396	80.1	100	85	408							
	HIGH- High Efficiency	74.8	90	79	411	81.0	100	86	423							
	STD	57.7	70	61	266	62.5	80	66	274							
575-3-60	MED- High Efficiency	59.6	70	63	293	64.4	80	68	301							
	HIGH- High Efficiency	62.5	80	66	304	67.3	80	72	312							

See: "Legend and Notes" on page 46

**ELECTRICAL INFORMATION  
(UNITS PRODUCED ON OR AFTER JULY 30, 2012) cont.**

**Table 29 – UNIT WIRE/FUSE OR HACR BRKR SIZING DATA WITH FACTORY INSTALLED 2 SPD INDOOR FAN OPTION – NO C.O. OR UNPWR C.O.**

UNIT	NOM. V-Ph-Hz	IFM TYPE	NO C.O. or UNPWR C.O.							
			NO P.E.			w/ P.E. (pwrdr fr/ unit)				
			MCA	MAX FUSE or HACR BRKR	DISC. SIZE FLA LRA	MCA	MAX FUSE or HACR BRKR	DISC. SIZE FLA LRA		
48TC**17	208/230-3-60	STD	80.2/79.4	100/100	84/83	482	92.0/91.2	100/100	97/96	502
		MED	82.4/81.4	100/100	86/85	506	94.2/93.2	110/110	100/99	526
		HIGH	85.2/84.3	100/100	89/88	517	97.0/96.1	125/125	103/102	537
	460-3-60	STD	42.1	50	44	242	48.3	60	51	254
		MED	43.2	50	45	254	49.4	60	52	266
		HIGH	44.7	60	47	259	50.9	60	54	271
575-3-60	STD	33.8	45	35	188	38.6	50	41	196	
	MED	33.8	45	35	188	38.6	50	41	196	
	HIGH	35.5	45	37	202	40.3	50	43	210	
48TC**20	208/230-3-60	STD	82.4/81.4	100/100	86/85	506	94.2/93.2	110/110	100/99	526
		MED	85.2/84.3	100/100	89/88	517	97.0/96.1	125/125	103/102	537
		HIGH	88.7	100	93	513	100.5	125	107	533
	460-3-60	STD	43.2	50	45	254	49.4	60	52	266
		MED	44.7	60	47	259	50.9	60	54	271
		HIGH	46.9	60	49	257	53.1	60	56	269
575-3-60	STD	33.8	45	35	188	38.6	50	41	196	
	MED	35.5	45	37	202	40.3	50	43	210	
	HIGH	36.9	45	39	200	41.7	50	44	208	
48TC**24	208/230-3-60	STD	109.2/108.3	150/150	112/111	540	121.0/120.1	150/150	125/124	560
		MED	112.7	150	116	536	124.5	150	129	556
		HIGH	124.1	150	129	615	135.9	175	142	635
	460-3-60	STD	48.0	60	50	272	54.2	60	57	284
		MED	50.2	60	52	270	56.4	70	59	282
		HIGH	55.9	70	59	310	62.1	80	66	322
575-3-60	STD	39.2	50	41	224	44.0	50	46	232	
	MED	40.6	50	42	222	45.4	60	48	230	
	HIGH	42.5	50	45	249	47.3	60	50	257	

See: "Legend and Notes" on page 46

**ELECTRICAL INFORMATION  
(UNITS PRODUCED ON OR AFTER JULY 30, 2012) cont.**

**Table 29 - UNIT WIRE/FUSE OR HACR BRKR SIZING DATA WITH FACTORY INSTALLED 2 SPD INDOOR FAN OPTION - NO C.O. OR UNPWR C.O. (CONT)**

UNIT	NOM. V-Ph-Hz	IFM TYPE	NO C.O. or UNPWR C.O.													
			NO PE.			w/ P.E. (pwrdr fr/ unit)										
			MCA	MAX FUSE or HACR BRKR	DISC. SIZE FLA LRA	MCA	MAX FUSE or HACR BRKR	DISC. SIZE FLA LRA	MCA	MAX FUSE or HACR BRKR	DISC. SIZE FLA LRA	MCA	MAX FUSE or HACR BRKR	DISC. SIZE FLA LRA		
48TC**28	208/230-3-60	STD	127.8/126.9	175/175	133/132	590	139.6/138.7	175/175	147/146	610						
		MED	131.3	175	137	586	143.1	175	151	606						
		HIGH	142.7	175	150	665	154.5	200	164	685						
	460-3-60	STD	51.9	60	54	302	58.1	70	61	314						
		MED	54.1	60	57	300	60.3	70	64	312						
		HIGH	59.8	70	63	340	66.0	80	70	352						
	48TC**30	575-3-60	STD	41.7	50	44	244	46.5	60	49	252					
			MED	43.1	50	45	242	47.9	60	51	250					
			HIGH	45	50	47	269	49.8	60	53	277					
208/230-3-60		STD	141.5	175	148	702	153.3	200	162	722						
		MED	152.9	200	161	781	164.7	200	175	801						
		HIGH	154.8	200	163	812	166.6	200	177	832						
460-3-60		STD	66.0	80	69	354	72.2	90	76	366						
		MED	71.7	90	76	394	77.9	100	83	406						
		HIGH	72.6	90	77	409	78.8	100	84	421						
575-3-60	STD	56.0	70	59	264	60.8	80	64	272							
	MED	57.9	70	61	291	62.7	80	66	299							
	HIGH	60.8	80	64	302	65.6	80	70	310							

See: "Legend and Notes" on page 46

**ELECTRICAL INFORMATION  
(UNITS PRODUCED ON OR AFTER JULY 30, 2012) cont.**

**Table 30 – UNIT WIRE/FUSE OR HACR BRKR SIZING DATA WITH FACTORY INSTALLED 2 SPEED INDOOR FAN OPTION - W/PWRD C.O.**

UNIT	NOM. V-Ph-Hz	IFM TYPE	w/ PWRD C.O.							
			NO P.E.			w/ P.E. (pwrd fr/ unit)				
			MCA	MAX FUSE or HACR BRKR	FLA	LRA	MCA	MAX FUSE or HACR BRKR	FLA	LRA
48TC**17	208/230-3-60	STD	85.0/84.2	100/100	89/88	487	96.8/96.0	125/125	103/102	507
		MED	87.2/86.2	100/100	92/91	511	99.0/98.0	125/125	105/104	531
		HIGH	90.0/89.1	100/100	95/94	522	101.8/100.9	125/125	108/107	542
	460-3-60	STD	44.3	60	46	244	50.5	60	53	256
		MED	45.4	60	47	256	51.6	60	55	268
		HIGH	46.9	60	49	261	53.1	60	56	273
	575-3-60	STD	35.5	45	37	190	40.3	50	43	198
		MED	35.5	45	37	190	40.3	50	43	198
		HIGH	37.2	45	39	204	42	50	45	212
48TC**20	208/230-3-60	STD	87.2/86.2	100/100	92/91	511	99.0/98.0	125/125	105/104	531
		MED	90.0/89.1	100/100	95/94	522	101.8/100.9	125/125	108/107	542
		HIGH	93.5	110	99	518	105.3	125	112	538
	460-3-60	STD	45.4	60	47	256	51.6	60	55	268
		MED	46.9	60	49	261	53.1	60	56	273
		HIGH	49.1	60	52	259	55.3	60	59	271
	575-3-60	STD	35.5	45	37	190	40.3	50	43	198
		MED	37.2	45	39	204	42.0	50	45	212
		HIGH	38.6	50	41	202	43.4	50	46	210
48TC**24	208/230-3-60	STD	114.0/113.1	150/150	117/116	545	125.8/124.9	150/150	131/130	565
		MED	117.5	150	121	541	129.3	175	135	561
		HIGH	128.9	175	134	620	140.7	175	148	640
	460-3-60	STD	50.2	60	52	274	56.4	70	59	266
		MED	52.4	60	55	272	58.6	70	62	284
		HIGH	58.1	70	61	312	64.3	80	69	324
	575-3-60	STD	40.9	50	43	226	45.7	60	48	234
		MED	42.3	50	44	224	47.1	60	50	232
		HIGH	44.2	50	47	251	49	60	52	259

See: "Legend and Notes" on page 46



**ELECTRICAL INFORMATION  
(UNITS PRODUCED ON OR AFTER JULY 30, 2012) cont.**

**Table 30 - UNIT WIRE/FUSE OR HACR BRKR SIZING DATA WITH FACTORY INSTALLED 2 SPEED INDOOR FAN OPTION - W/PWRD C.O. (CONT)**

UNIT	NOM. V-Ph-Hz	IFM TYPE	w/ PWRD C.O.									
			NO PE.			w/ PWRD C.O.			w/ P.E. (pwrd fr/ unit)			
			MCA	MAX FUSE or HACR BRKR	DISC. SIZE FLA	LRA	MCA	MAX FUSE or HACR BRKR	DISC. SIZE FLA	LRA	MCA	MAX FUSE or HACR BRKR
48TC**28	208/230-3-60	STD	132.6/131.7	175/175	139/138	595	144.4/143.5	175/175	152/151	615		
		MED	136.1	175	143	591	147.9	175	156	611		
		HIGH	147.5	175	156	670	159.3	200	169	690		
	460-3-60	STD	54.1	60	57	304	60.3	70	64	316		
		MED	56.3	70	59	302	62.5	80	66	314		
		HIGH	62.0	80	66	342	68.2	80	73	354		
48TC**30	575-3-60	STD	43.4	50	46	246	48.2	60	51	254		
		MED	44.8	50	47	244	49.6	60	53	252		
		HIGH	46.7	60	49	271	51.5	60	55	279		
	208/230-3-60	STD	146.3	175	154	707	158.1	200	167	727		
		MED	157.7	200	167	786	169.5	200	180	806		
		HIGH	159.6	200	169	817	171.4	200	182	837		
460-3-60	STD	68.2	90	72	356	74.4	90	79	368			
	MED	73.9	90	78	396	80.1	100	85	408			
	HIGH	74.8	90	79	411	81.0	100	86	423			
575-3-60	STD	57.7	70	61	266	62.5	80	66	274			
	MED	59.6	70	63	293	64.4	80	68	301			
	HIGH	62.5	80	66	304	67.3	80	72	312			

See: "Legend and Notes" on page 46

## ELECTRICAL DATA FOR UNITS PRODUCED PRIOR TO JULY 30, 2012

**NOTE:** Check the serial number of unit to verify production date.

To confirm the date of manufacture, locate the unit nameplate and check the first four digits of the Serial Number. If the number listed in the first 4 digits of the Serial Number is 3012 or lower, the unit was produced prior to July 30, 2012.

Position:	1	2	3	4	5	6	7	8	9	10
Example:	3	0	1	2	U	1	2	3	4	5

Week of manufacture (fiscal calendar)			Sequence number
Year of manufacture ("12" = 2012)		Manufacturing location	

C13784

**ELECTRICAL INFORMATION**  
**(UNITS PRODUCED PRIOR TO JULY 30, 2012)**

**Table 31 – 2-STAGE COOLING WITH SINGLE SPEED INDOOR FAN MOTOR**

**15 - 27.5 TONS**

UNIT	V-Ph-Hz	VOLTAGE RANGE		COMP 1		COMP 2		OFM (ea)		IFM		
		MIN	MAX	RLA	LRA	RLA	LRA	WATTS	FLA	TYPE	EFF at Full Load	FLA
17	208-3-60	187	253	29.5	195	30.1	225	350	1.5	STD	81.3%	7.5
										MED	83.8%	10.2
										HIGH	83.6%	15.0
	230-3-60	187	253	29.5	195	30.1	225	350	1.5	STD	81.3%	7.5
										MED	83.8%	10.2
										HIGH	83.6%	15.0
	460-3-60	414	506	14.7	95	16.7	114	277	0.9	STD	81.3%	3.4
										MED	83.8%	4.8
										HIGH	83.6%	7.4
	575-3-60	518	633	12.2	80	12.2	80	397	0.6	STD	81.1%	2.8
										MED	81.1%	2.8
										HIGH	83.6%	5.6
20	208-3-60	187	253	29.5	195	30.1	225	350	1.5	STD	83.8%	10.2
										MED	83.6%	15.0
										HIGH	89.5%	17.1
	230-3-60	187	253	29.5	195	30.1	225	350	1.5	STD	83.8%	10.2
										MED	83.6%	15.0
										HIGH	89.5%	17.1
	460-3-60	414	506	14.7	95	16.7	114	277	0.9	STD	83.8%	4.8
										MED	83.6%	7.4
										HIGH	89.5%	8.6
	575-3-60	518	633	12.2	80	12.2	80	397	0.6	STD	81.1%	2.8
										MED	83.6%	5.6
										HIGH	89.5%	7.6
24	208-3-60	187	253	48.1	245	29.5	195	350	1.5	STD	83.6%	15.0
										MED	89.5%	17.1
										HIGH	91.7%	28.5
	230-3-60	187	253	48.1	245	29.5	195	350	1.5	STD	83.6%	15.0
										MED	89.5%	17.1
										HIGH	91.7%	28.5
	460-3-60	414	506	18.6	125	14.7	95	277	0.9	STD	83.6%	7.4
										MED	89.5%	8.6
										HIGH	91.7%	14.3
	575-3-60	518	633	14.7	100	12.2	80	397	0.6	STD	83.6%	5.6
										MED	89.5%	7.6
										HIGH	91.7%	9.5
28	208-3-60	187	253	48.1	245	48.1	245	350	1.5	STD	83.6%	15.0
										MED	89.5%	17.1
										HIGH	91.7%	28.5
	230-3-60	187	253	48.1	245	48.1	245	350	1.5	STD	83.6%	15.0
										MED	89.5%	17.1
										HIGH	91.7%	28.5
	460-3-60	414	506	18.6	125	18.6	125	277	0.9	STD	83.6%	7.4
										MED	89.5%	8.6
										HIGH	91.7%	14.3
	575-3-60	518	633	14.7	100	14.7	100	397	0.6	STD	83.6%	5.6
										MED	89.5%	7.6
										HIGH	91.7%	9.5
30	208-3-60	187	253	51.3	300	51.3	300	350	1.5	STD	89.5%	17.1
										MED	91.7%	28.5
										HIGH	91.7%	30.4
	230-3-60	187	253	51.3	300	51.3	300	350	1.5	STD	89.5%	17.1
										MED	91.7%	28.5
										HIGH	91.7%	30.4
	460-3-60	414	506	23.1	150	23.1	150	277	0.9	STD	89.5%	8.6
										MED	91.7%	14.3
										HIGH	91.7%	15.2
	575-3-60	518	633	19.9	109	19.9	109	397	0.6	STD	89.5%	7.6
										MED	91.7%	9.5
										HIGH	91.7%	12.4

See: "Legend and Notes" on page 46

**ELECTRICAL INFORMATION**  
**(UNITS PRODUCED PRIOR TO JULY 30, 2012) cont.**

**Table 32 – 2-STAGE COOLING WITH 2-SPEED INDOOR FAN MOTOR**

**15 - 27.5 TONS**

UNIT	V-Ph-Hz	VOLTAGE RANGE		COMP 1		COMP 2		OFM (ea)		IFM		
		MIN	MAX	RLA	LRA	RLA	LRA	WATTS	FLA	TYPE	EFF at Full Load	FLA
17	208-3-60	187	253	29.5	195	30.1	225	350	1.5	STD	85.0%	8.6
										MED	81.5%	10.8
										HIGH	83.6%	13.6
	230-3-60	187	253	29.5	195	30.1	225	350	1.5	STD	85.0%	7.8
										MED	81.5%	9.8
										HIGH	83.6%	12.7
	460-3-60	414	506	14.7	95	16.7	114	277	0.9	STD	85.0%	3.8
										MED	81.5%	4.9
										HIGH	83.6%	6.4
	575-3-60	518	633	12.2	80	12.2	80	397	0.6	STD	81.1%	4.5
										MED	81.1%	4.5
										HIGH	83.6%	6.2
20	208-3-60	187	253	29.5	195	30.1	225	350	1.5	STD	81.5%	10.8
										MED	83.6%	13.6
										HIGH	89.5%	17.1
	230-3-60	187	253	29.5	195	30.1	225	350	1.5	STD	81.5%	9.8
										MED	83.6%	12.7
										HIGH	89.5%	17.1
	460-3-60	414	506	14.7	95	16.7	114	277	0.9	STD	81.5%	4.9
										MED	83.6%	6.4
										HIGH	89.5%	8.6
	575-3-60	518	633	12.2	80	12.2	80	397	0.6	STD	81.1%	4.5
										MED	83.6%	6.2
										HIGH	89.5%	7.6
24	208-3-60	187	253	48.1	245	29.5	195	350	1.5	STD	83.6%	13.6
										MED	89.5%	17.1
										HIGH	91.7%	28.5
	230-3-60	187	253	48.1	245	29.5	195	350	1.5	STD	83.6%	12.7
										MED	89.5%	17.1
										HIGH	91.7%	28.5
	460-3-60	414	506	18.6	125	14.7	95	277	0.9	STD	83.6%	6.4
										MED	89.5%	8.6
										HIGH	91.7%	14.3
	575-3-60	518	633	14.7	100	12.2	80	397	0.6	STD	83.6%	6.2
										MED	89.5%	7.6
										HIGH	91.7%	9.5
28	208-3-60	187	253	48.1	245	48.1	245	350	1.5	STD	83.6%	13.6
										MED	89.5%	17.1
										HIGH	91.7%	28.5
	230-3-60	187	253	48.1	245	48.1	245	350	1.5	STD	83.6%	12.7
										MED	89.5%	17.1
										HIGH	91.7%	28.5
	460-3-60	414	506	18.6	125	18.6	125	277	0.9	STD	83.6%	6.4
										MED	89.5%	8.6
										HIGH	91.7%	14.3
	575-3-60	518	633	14.7	100	14.7	100	397	0.6	STD	83.6%	6.2
										MED	89.5%	7.6
										HIGH	91.7%	9.5
370	208-3-60	187	253	51.3	300	51.3	300	350	1.5	STD	89.5%	17.1
										MED	91.7%	28.5
										HIGH	91.7%	30.4
	230-3-60	187	253	51.3	300	51.3	300	350	1.5	STD	89.5%	17.1
										MED	91.7%	28.5
										HIGH	91.7%	30.4
	460-3-60	414	506	23.1	150	23.1	150	277	0.9	STD	89.5%	8.6
										MED	91.7%	14.3
										HIGH	91.7%	15.2
	575-3-60	518	633	19.9	109	19.9	109	397	0.6	STD	89.5%	7.6
										MED	91.7%	9.5
										HIGH	91.7%	12.4

See: "Legend and Notes" on page 46

**ELECTRICAL INFORMATION  
(UNITS PRODUCED PRIOR TO JULY 30, 2012) cont.**

**Table 33 – UNIT WIRE/FUSE OR HACR BREAKER SIZING DATA**

UNIT	NOM. V-Ph-Hz	IFM TYPE	NO C.O. or UNPWR C.O.						w/ PWRD C.O.									
			NO PE.			w/ RE. (pwrd fr/ unit)			NO PE.			w/ PWRD C.O.						
			MCA	MAX FUSE or HACR BRKR	DISC. SIZE FLA LRA	MCA	MAX FUSE or HACR BRKR	DISC. SIZE FLA LRA	MCA	MAX FUSE or HACR BRKR	DISC. SIZE FLA LRA	MCA	MAX FUSE or HACR BRKR	DISC. SIZE FLA LRA				
48TC**17	208/230-3-60	STD	80.0/79.9	100/100	83/83	501	91.8/91.7	100/100	97/97	521	84.8/84.7	100/100	89/89	506	96.6/96.5	125/125	102/102	526
		MED	82.2	100	86	515	94.0	110	99	535	87.0	100	91	520	98.8	125	105	540
		HIGH	85.2/84.3	100/100	89/88	517	97.0/96.1	125/125	103/102	537	90.0/89.1	100/100	95/94	522	101.8/100.9	125/125	108/107	542
48TC**20	460-3-60	STD	42.5	50	44	251	48.7	60	51	263	44.7	60	47	253	50.9	60	54	265
		MED	43.6	60	45	258	49.8	60	52	270	45.8	60	48	260	52.0	60	55	272
		HIGH	44.7	60	47	259	50.9	60	54	271	46.9	60	49	261	53.1	60	56	273
48TC**24	575-3-60	STD	32.1	40	33	188	36.9	45	39	196	33.8	45	35	190	38.6	50	41	198
		MED	32.1	40	33	188	36.9	45	39	196	33.8	45	35	190	38.6	50	41	198
		HIGH	34.9	45	37	202	39.7	50	42	210	36.6	45	39	204	41.4	50	44	212
48TC**20	208/230-3-60	STD	82.2	100	86	515	94.0	110	99	535	87.0	100	91	520	98.8	125	105	540
		MED	85.2/84.3	100/100	89/88	517	97.0/96.1	125/125	103/102	537	90.0/89.1	100/100	95/94	522	101.8/100.9	125/125	108/107	542
		HIGH	88.7	100	93	513	100.5	125	107	533	93.5	110	99	518	105.3	125	112	538
48TC**20	460-3-60	STD	43.6	60	45	258	49.8	60	52	270	45.8	60	48	260	52.0	60	55	272
		MED	44.7	60	47	259	50.9	60	54	271	46.9	60	49	261	53.1	60	56	273
		HIGH	46.9	60	49	257	53.1	60	56	269	49.1	60	52	259	55.3	60	59	271
48TC**24	575-3-60	STD	32.1	40	33	188	36.9	45	39	196	33.8	45	35	190	38.6	50	41	198
		MED	34.9	45	37	202	39.7	50	42	210	36.6	45	39	204	41.4	50	44	212
		HIGH	36.9	45	39	200	41.7	50	44	208	38.6	50	41	202	43.4	50	46	210
48TC**24	208/230-3-60	STD	109.2/108.3	150/150	112/111	540	121.0/120.1	150/150	125/124	560	114.0/113.1	150/150	117/116	545	125.8/124.9	150/150	131/130	565
		MED	112.7	150	116	536	124.5	150	129	556	117.5	150	121	541	129.3	175	135	561
		HIGH	124.1	150	129	615	135.9	175	142	635	128.9	175	134	620	140.7	175	148	640
48TC**24	460-3-60	STD	48.0	60	50	272	54.2	60	57	284	50.2	60	52	274	56.4	70	59	286
		MED	50.2	60	52	270	56.4	70	59	282	52.4	60	55	272	58.6	70	62	284
		HIGH	55.9	70	59	310	62.1	80	66	322	58.1	70	61	312	64.3	80	69	324
48TC**24	575-3-60	STD	38.6	50	40	224	43.4	50	46	232	40.3	50	42	226	45.1	50	48	234
		MED	40.6	50	42	222	45.4	60	48	230	42.3	50	44	224	47.1	60	50	232
		HIGH	42.5	50	45	249	47.3	60	50	257	44.2	50	47	251	49	60	52	259

See: "Legend and Notes" on page 46

**ELECTRICAL INFORMATION  
(UNITS PRODUCED PRIOR TO JULY 30, 2012) cont.**

**Table 33 - UNIT WIRE/FUSE OR HACR BREAKER SIZING DATA (CONT)**

UNIT	NOM. V-Ph-Hz	IFM TYPE	NO C.O. or UNPWR C.O.						w/ PWRD C.O.										
			NO PE.			w/ PE. (pwrd fr/ unit)			NO PE.			w/ PWRD C.O.							
			MCA	MAX FUSE or HACR BRKR	DISC. SIZE FLA LRA	MCA	MAX FUSE or HACR BRKR	DISC. SIZE FLA LRA	MCA	MAX FUSE or HACR BRKR	DISC. SIZE FLA LRA	MCA	MAX FUSE or HACR BRKR	DISC. SIZE FLA LRA					
48TC**28	208/230-3-60	STD	127.8/126.9	175/175	133/132	590	139.6/138.7	175/175	147/146	610	132.6/131.7	175/175	139/138	595	144.4/143.5	175/175	152/151	615	
		MED	131.3	175	137	586	143.1	175	151	606	136.1	175	143	591	147.9	175	156	611	
		HIGH	142.7	175	150	665	154.5	200	164	685	147.5	175	156	670	159.3	200	169	690	
	48TC**28	460-3-60	STD	51.9	60	54	302	58.1	70	61	314	54.1	60	57	304	60.3	70	64	316
			MED	54.1	60	57	300	60.3	70	64	312	56.3	70	59	302	62.5	80	66	314
			HIGH	59.8	70	63	340	66.0	80	70	352	62.0	80	66	342	68.2	80	73	354
48TC**30	208/230-3-60	STD	41.1	50	43	244	45.9	60	49	252	42.8	50	45	246	47.6	60	50	254	
		MED	43.1	50	45	242	47.9	60	51	250	44.8	50	47	244	49.6	60	53	252	
		HIGH	45.0	50	47	269	49.8	60	53	277	46.7	60	49	271	51.5	60	55	279	
	48TC**30	460-3-60	STD	141.5	175	148	702	153.3	200	162	722	146.3	175	154	707	158.1	200	167	727
			MED	152.9	200	161	781	164.7	200	175	801	157.7	200	167	786	169.5	200	180	806
			HIGH	154.8	200	163	812	166.6	200	177	832	159.6	200	169	817	171.4	200	182	837
48TC**30	575-3-60	STD	66.0	80	69	354	72.2	90	76	366	68.2	90	72	356	74.4	90	79	368	
		MED	71.7	90	76	394	77.9	100	83	406	73.9	90	78	396	80.1	100	85	408	
		HIGH	72.6	90	77	409	78.8	100	84	421	74.8	90	79	411	81.0	100	86	423	
48TC**30	575-3-60	STD	56.0	70	59	264	60.8	80	64	272	57.7	70	61	266	62.5	80	66	274	
		MED	57.9	70	61	291	62.7	80	66	299	59.6	70	63	293	64.4	80	68	301	
		HIGH	60.8	80	64	302	65.6	80	70	310	62.5	80	66	304	67.3	80	72	312	

See: "Legend and Notes" on page 46

**ELECTRICAL INFORMATION  
(UNITS PRODUCED PRIOR TO JULY 30, 2012) cont.**

**Table 34 – UNIT WIRE/FUSE OR HACR BREAKER SIZING DATA WITH FACTORY INSTALLED 2 SPEED INDOOR FAN OPTION**

UNIT	NOM. V-Ph-Hz	IFM TYPE	NO C.O. or UNPWR C.O.						w/ PWRD C.O.									
			NO PE.			w/ RE. (pwrd fr/ unit)			NO PE.			w/ PWRD C.O.						
			MCA	MAX FUSE or HACR BRKR	DISC. SIZE FLA LRA	MCA	MAX FUSE or HACR BRKR	DISC. SIZE FLA LRA	MCA	MAX FUSE or HACR BRKR	DISC. SIZE FLA LRA	MCA	MAX FUSE or HACR BRKR	DISC. SIZE FLA LRA				
48TC**17	208/230-3-60	STD	80.2/79.4	100/100	84/83	482	92.0/91.2	100/100	97/96	502	85.0/84.2	100/100	89/88	487	96.8/96.0	125/125	103/102	507
		MED	82.4/81.4	100/100	86/85	506	94.2/93.2	110/110	100/99	526	87.2/86.2	100/100	92/91	511	99.0/98.0	125/125	105/104	531
		HIGH	85.2/84.3	100/100	89/88	517	97.0/96.1	125/125	103/102	537	90.0/89.1	100/100	95/94	522	101.8/100.9	125/125	108/107	542
48TC**20	460-3-60	STD	42.1	50	44	242	48.3	60	51	254	44.3	60	46	244	50.5	60	53	256
		MED	43.2	50	45	254	49.4	60	52	266	45.4	60	47	256	51.6	60	55	268
		HIGH	44.7	60	47	259	50.9	60	54	271	46.9	60	49	261	53.1	60	56	273
48TC**24	575-3-60	STD	33.8	45	35	188	38.6	50	41	196	35.5	45	37	190	40.3	50	43	198
		MED	33.8	45	35	188	38.6	50	41	196	35.5	45	37	190	40.3	50	43	198
		HIGH	35.5	45	37	202	40.3	50	43	210	37.2	45	39	204	42	50	45	212
48TC**20	208/230-3-60	STD	82.4/81.4	100/100	86/85	506	94.2/93.2	110/110	100/99	526	87.2/86.2	100/100	92/91	511	99.0/98.0	125/125	105/104	531
		MED	85.2/84.3	100/100	89/88	517	97.0/96.1	125/125	103/102	537	90.0/89.1	100/100	95/94	522	101.8/100.9	125/125	108/107	542
		HIGH	88.7	100	93	513	100.5	125	107	533	93.5	110	99	518	105.3	125	112	538
48TC**20	460-3-60	STD	43.2	50	45	254	49.4	60	52	266	45.4	60	47	256	51.6	60	55	268
		MED	44.7	60	47	259	50.9	60	54	271	46.9	60	49	261	53.1	60	56	273
		HIGH	46.9	60	49	257	53.1	60	56	269	49.1	60	52	259	55.3	60	59	271
48TC**24	575-3-60	STD	33.8	45	35	188	38.6	50	41	196	35.5	45	37	190	40.3	50	43	198
		MED	35.5	45	37	202	40.3	50	43	210	37.2	45	39	204	42.0	50	45	212
		HIGH	36.9	45	39	200	41.7	50	44	208	38.6	50	41	202	43.4	50	46	210
48TC**24	208/230-3-60	STD	109.2/108.3	150/150	112/111	540	121.0/120.1	150/150	125/124	560	114.0/113.1	150/150	117/116	545	125.8/124.9	150/150	131/130	565
		MED	112.7	150	116	536	124.5	150	129	556	117.5	150	121	541	129.3	175	135	561
		HIGH	124.1	150	129	615	135.9	175	142	635	128.9	175	134	620	140.7	175	148	640
48TC**24	460-3-60	STD	48.0	60	50	272	54.2	60	57	284	50.2	60	52	274	56.4	70	59	286
		MED	50.2	60	52	270	56.4	70	59	282	52.4	60	55	272	58.6	70	62	284
		HIGH	55.9	70	59	310	62.1	80	66	322	58.1	70	61	312	64.3	80	69	324
48TC**24	575-3-60	STD	39.2	50	41	224	44.0	50	46	232	40.9	50	43	226	45.7	60	48	234
		MED	40.6	50	42	222	45.4	60	48	230	42.3	50	44	224	47.1	60	50	232
		HIGH	42.5	50	45	249	47.3	60	50	257	44.2	50	47	251	49	60	52	259

See: "Legend and Notes" on page 46

**ELECTRICAL INFORMATION  
(UNITS PRODUCED PRIOR TO JULY 30, 2012) cont.**

**Table 34 - UNIT WIRE/FUSE OR HACR BREAKER SIZING DATA WITH FACTORY INSTALLED 2 SPEED INDOOR FAN OPTION (CONT)**

UNIT	NOM. V-Ph-Hz	IFM TYPE	NO C.O. or UNPWR C.O.						w/ PWRD C.O.										
			NO PE.			w/ PE. (pwrd fr/ unit)			NO PE.			w/ PE. (pwrd fr/ unit)							
			MCA	MAX FUSE or HACR BRKR	DISC. SIZE FLA LRA	MCA	MAX FUSE or HACR BRKR	DISC. SIZE FLA LRA	MCA	MAX FUSE or HACR BRKR	DISC. SIZE FLA LRA	MCA	MAX FUSE or HACR BRKR	DISC. SIZE FLA LRA					
48TC**28	208/230-3-60	STD	127.8/126.9	175/175	133/132	590	139.6/138.7	175/175	147/146	610	132.6/131.7	175/175	139/138	595	144.4/143.5	175/175	152/151	615	
		MED	131.3	175	137	586	143.1	175	151	606	136.1	175	143	591	147.9	175	156	611	
		HIGH	142.7	175	150	665	154.5	200	164	685	147.5	175	156	670	159.3	200	169	690	
	48TC**28	460-3-60	STD	51.9	60	54	302	58.1	70	61	314	54.1	60	57	304	60.3	70	64	316
			MED	54.1	60	57	300	60.3	70	64	312	56.3	70	59	302	62.5	80	66	314
			HIGH	59.8	70	63	340	66.0	80	70	352	62.0	80	66	342	68.2	80	73	354
48TC**30	208/230-3-60	STD	41.7	50	44	244	46.5	60	49	252	43.4	50	46	246	48.2	60	51	254	
		MED	43.1	50	45	242	47.9	60	51	250	44.8	50	47	244	49.6	60	53	252	
		HIGH	45	50	47	269	49.8	60	53	277	46.7	60	49	271	51.5	60	55	279	
	48TC**30	460-3-60	STD	141.5	175	148	702	153.3	200	162	722	146.3	175	154	707	158.1	200	167	727
			MED	152.9	200	161	781	164.7	200	175	801	157.7	200	167	786	169.5	200	180	806
			HIGH	154.8	200	163	812	166.6	200	177	832	159.6	200	169	817	171.4	200	182	837
48TC**30	575-3-60	STD	66.0	80	69	354	72.2	90	76	366	68.2	90	72	356	74.4	90	79	368	
		MED	71.7	90	76	394	77.9	100	83	406	73.9	90	78	396	80.1	100	85	408	
		HIGH	72.6	90	77	409	78.8	100	84	421	74.8	90	79	411	81.0	100	86	423	
48TC**30	575-3-60	STD	56.0	70	59	264	60.8	80	64	272	57.7	70	61	266	62.5	80	66	274	
		MED	57.9	70	61	291	62.7	80	66	299	59.6	70	63	293	64.4	80	68	301	
		HIGH	60.8	80	64	302	65.6	80	70	310	62.5	80	66	304	67.3	80	72	312	

See: "Legend and Notes" on page 46



# SEQUENCE OF OPERATION

## General

The sequence below describes the sequence of operation for an electro-mechanical unit with and without a factory installed EconoMiSer™ IV and X (called “economizer” in this sequence). For information regarding a direct digital controller, see the start-up, operations, and troubleshooting manual for the applicable controller.

### Electro-mechanical units with no economizer

#### **Cooling (Single speed indoor fan motor) —**

When the thermostat calls for cooling, terminals G and Y1 are energized. As a result, the indoor-fan contactor (IFC) and the compressor contactor (C1) are energized, causing the indoor-fan motor (IFM), compressor #1, and outdoor fan to start. If the unit has 2 stages of cooling, the thermostat will additionally energize Y2. The Y2 signal will energize compressor contactor #2 (C2), causing compressor #2 to start. Regardless of the number of stages, the outdoor-fan motor runs continuously while unit is cooling.

#### **Cooling (2-speed indoor fan motor) —**

Per ASHRAE 90.1 2010 standard section 6.4.3.10.b, during the first stage of cooling operation the VFD will adjust the fan motor to provide 2/3rd of the total cfm established for the unit. When a call for the second stage of cooling is required, the VFD will allow the total cfm for the unit established (100%).

#### **Heating —**

**NOTE:** WeatherMaker (48TC) units have 2 stages of gas heat.

When the thermostat calls for heating, power is sent to W on the Integrated Gas Controller (IGC) board. An LED (light-emitting diode) on the IGC board turns on and remains on during normal operation. A check is made to ensure that the rollout switch and limit switch are closed. If the check was successful, the induced-draft motor is energized, and when its speed is satisfactory, as proven by the “hall effect” sensor, the ignition activation period begins. The burners will ignite within 5 seconds. If the burners do not light, there is a 22-second delay before another 5-second attempt. This sequence is repeated for 15 minutes or until the burners light. If, after the 15 minutes, the burners still have not lit, heating is locked out. To reset the control, break 24-v power to the thermostat.

When ignition occurs, the IGC board will continue to monitor the condition of the rollout switch, the limit switches, the “hall effect” sensor, as well as the flame sensor. Forty-five seconds after ignition occurs, assuming the unit is controlled through a room thermostat set for fan auto, the indoor-fan motor will energize (and the outdoor-air dampers will open to their minimum position). If, for some reason, the over-temperature limit opens prior to the start of the indoor fan blower, the unit will shorten the 45-second delay to 5 seconds less than

the time from initiation of heat to when the limit tripped. Gas will not be interrupted to the burners and heating will continue. Once the fan-on delay has been modified, it will not change back to 45 seconds until power is reset to the control.

On units with 2 stages of heat, when additional heat is required, W2 closes and initiates power to the second stage of the main gas valve. When the thermostat is satisfied, W1 and W2 open and the gas valve closes, interrupting the flow of gas to the main burners.

If the call for W1 lasted less than 1 minute, the heating cycle will not terminate until 1 minute after W1 became active. If the unit is controlled through a room thermostat set for fan auto, the indoor-fan motor will continue to operate for an additional 45 seconds then stop. If the over-temperature limit opens after the indoor motor is stopped, but within 10 minutes of W1 becoming inactive, on the next cycle the time will be extended by 15 seconds. The maximum delay is 3 minutes. Once modified, the fan off delay will not change back to 45 seconds unless power is reset to the control. A LED indicator is provided on the IGC to monitor operation.

### Electro-mechanical units with an economizer

#### **Cooling —**

When free cooling is not available, the compressors will be controlled by the zone thermostat. When free cooling is available, the outdoor-air damper is modulated by the EconoMiSer IV and X control to provide a 50°F (10°C) to 55°F (13°C) mixed-air temperature into the zone. As the mixed air temperature fluctuates above 55°F (13°C) or below 50°F (10°C) dampers will be modulated (open or close) to bring the mixed-air temperature back within control. If mechanical cooling is utilized with free cooling, the outdoor-air damper will maintain its current position at the time the compressor is started. If the increase in cooling capacity causes the mixed-air temperature to drop below 45°F (7°C), then the outdoor-air damper position will be decreased to the minimum position. If the mixed-air temperature continues to fall, the outdoor-air damper will close. Control returns to normal once the mixed-air temperature rises above 48°F (9°C). The power exhaust fans will be energized and de-energized, if installed, as the outdoor-air damper opens and closes.

If field-installed accessory CO<sub>2</sub> sensors are connected to the EconoMiSer IV and X control, a demand controlled ventilation strategy will begin to operate. As the CO<sub>2</sub> level in the zone increases above the CO<sub>2</sub> setpoint, the minimum position of the damper will be increased proportionally. As the CO<sub>2</sub> level decreases because of the increase in fresh air, the outdoor-air damper will be proportionally closed. For EconoMiSer IV and X operation, there must be a thermostat call for the fan (G). If the unit is occupied and the fan is on, the damper will operate at minimum position. Otherwise, the damper will be closed.

## SEQUENCE OF OPERATION (cont.)

When the EconoMiSer IV and X control is in the occupied mode and a call for cooling exists (Y1 on the thermostat), the control will first check for indoor fan operation. If the fan is not on, then cooling will not be activated. If the fan is on, then the control will open the EconoMiSer IV and X damper to the minimum position.

On the initial power to the EconoMiSer IV and X control, it will take the damper up to 2-1/2 minutes before it begins to position itself. After the initial power-up, further changes in damper position can take up to 30 seconds to initiate. Damper movement from full closed to full open (or vice versa) will take between 1-1/2 and 2-1/2 minutes. If free cooling can be used as determined from the appropriate changeover command (switch, dry bulb, enthalpy curve, differential dry bulb, or differential enthalpy), then the control will modulate the dampers open to maintain the mixed-air temperature setpoint at 50°F (10°C) to 55°F (13°C). If there is a further demand for cooling (cooling second stage - Y2 is energized), then the control will bring on compressor stage 1 to maintain the mixed-air temperature setpoint. The EconoMiSer IV and X damper will be open at maximum position. EconoMiSer IV and X operation is limited to a single compressor.

2-Speed Note: When operating in ventilation mode only, the indoor fan motor will automatically adjust to 2/3rd of the total cfm established.

### Heating —

The sequence of operation for the heating is the same as an electromechanical unit with no economizer. The only difference is how the economizer acts. The economizer will stay at the Economizer Minimum Position while the evaporator fan is operating. The outdoor-air damper is closed when the indoor fan is not operating.

Refer to Service and Maintenance Manual for further details.

### Optional Humidi-MiZer Dehumidification System

Units with the factory equipped Humidi-MiZer option are capable of providing multiple modes of improved dehumidification as a variation of the normal cooling cycle. The Humidi-MiZer option includes additional valves in the liquid line and discharge line of each refrigerant circuit, a small reheat condenser coil downstream of the evaporator, and Motormaster variable-speed control of some or all outdoor fans. Operation of the revised refrigerant circuit for each mode is described below.

The Humidi-MiZer system provides three sub-modes of operation: Cool, Reheat1, and Reheat2.

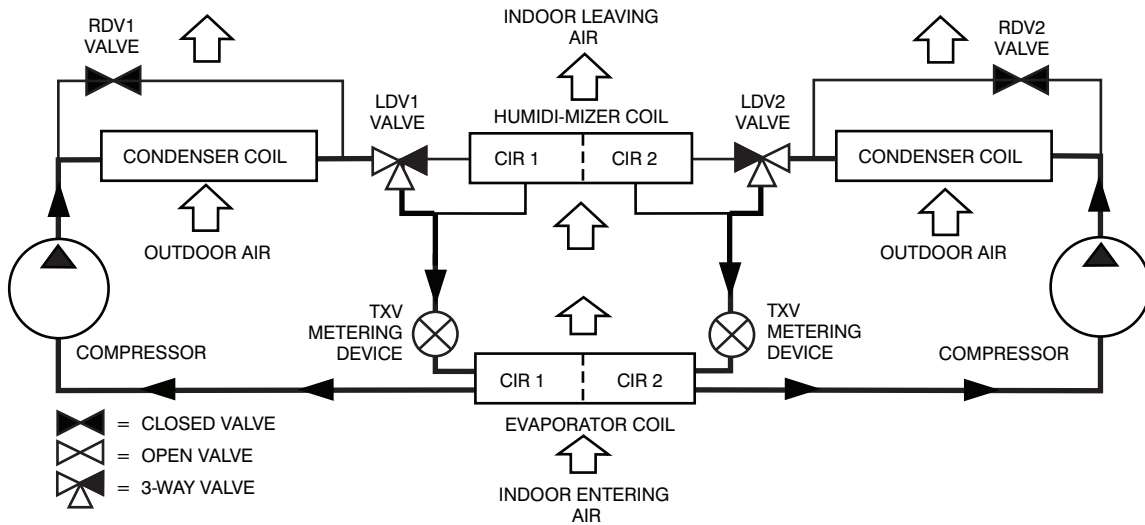
**Cool mode** - provides a normal ratio of Sensible and Latent Cooling effect from the evaporator coil.

**Reheat1** - provides increased Latent Cooling while slightly reducing the Sensible Cooling effect.

**Reheat2** - provides normal Latent Cooling but with null or minimum Sensible Cooling effect delivered to the space.

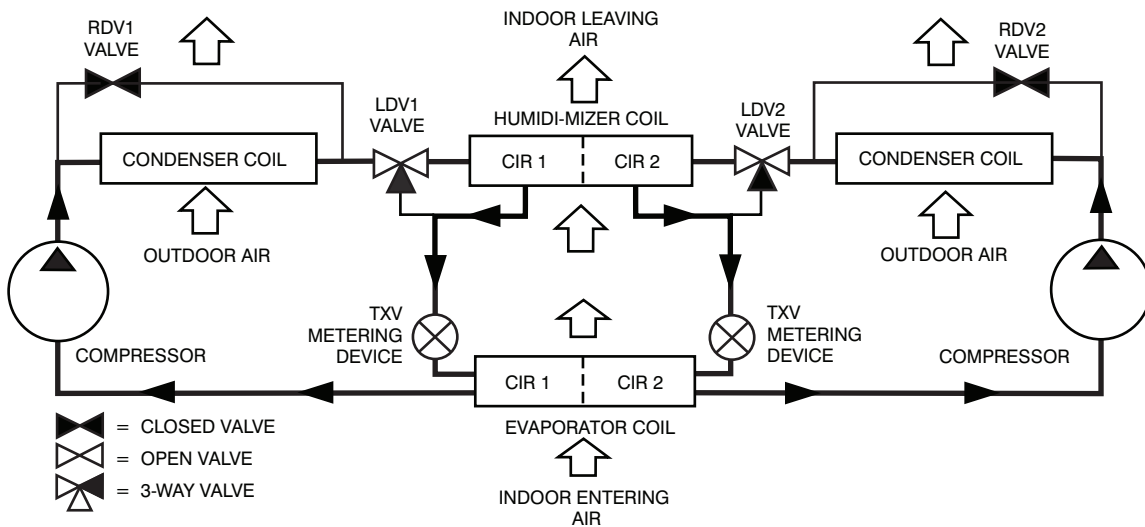
The Reheat1 and Reheat2 modes are available when the unit is not in a Heating mode and when the Low Ambient Lockout switch is closed.

## SEQUENCE OF OPERATION (cont.)



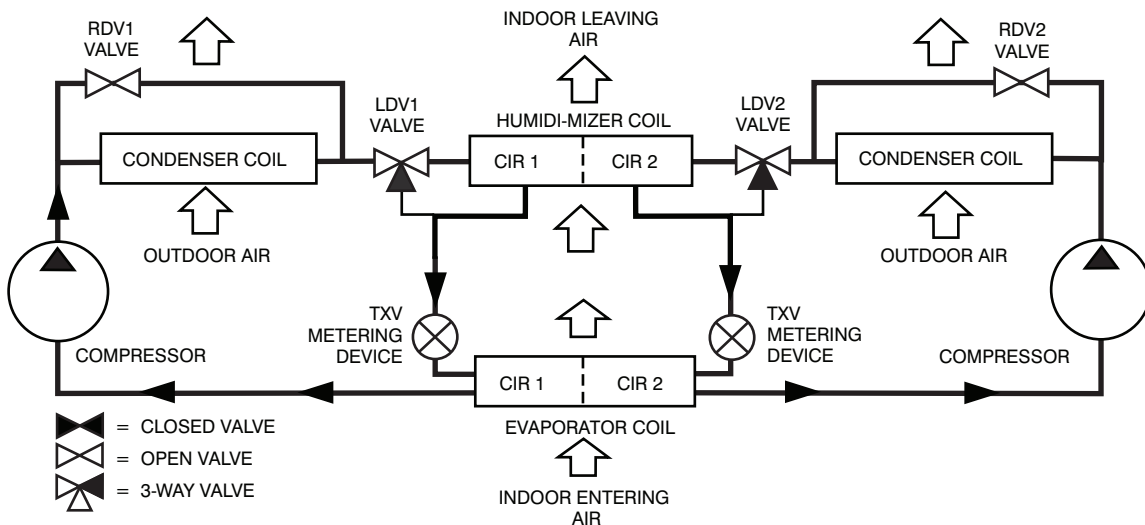
C13792

### Normal Cooling Mode - Humidi-MiZer System



C13809

### Subcooling Mode (Reheat 1) - Humidi-MiZer System



C13793

### Hot Gas Reheat Mode (Reheat 2) - Humidi-MiZer System

# GUIDE SPECIFICATIONS - 48TC\*17-30

Note about this specification:

These specifications are written in “Masterformat” as published by the Construction Specification Institute. Please feel free to copy this specification directly into your building spec.

## Gas Heat/Electric Cooling Packaged Rooftop HVAC Guide Specifications



**Size Range:** 15 to 27.5 Nominal Tons

<u>Section</u>	<u>Description</u>
----------------	--------------------

<b>23 06 80</b>	<b>Schedules for Decentralized HVAC Equipment</b>
-----------------	---

- |                |   |
|----------------|---|
| 23 06 80.13    | Decentralized Unitary HVAC Equipment Schedule           |
| 23 06 80.13.A. | Rooftop unit schedule                                   |
| 1.             | Schedule is per the project specification requirements. |

<b>23 07 16</b>	<b>HVAC Equipment Insulation</b>
-----------------	----------------------------------

- |                |   |
|----------------|---|
| 23 07 16.13    | Decentralized, Rooftop Units:   |
| 23 07 16.13.A. | Evaporator fan compartment:   |
| 1.             | Interior cabinet surfaces shall be insulated with a minimum 1/2-in. thick, minimum 1 1/2 lb density, flexible fiberglass insulation bonded with a phenolic binder, neoprene coated on the air side. |
| 2.             | Insulation and adhesive shall meet NFPA 90A requirements for flame spread and smoke generation.   |
| 23 07 16.13.B. | Gas heat compartment:   |
| 1.             | Aluminum foil-faced fiberglass insulation shall be used.  |
| 2.             | Insulation and adhesive shall meet NFPA 90A requirements for flame spread and smoke generation.   |

<b>23 09 13</b>	<b>Instrumentation and Control Devices for HVAC</b>
-----------------	---

- |                |   |
|----------------|---|
| 23 09 13.23    | Sensors and Transmitters  |
| 23 09 13.23.A. | Thermostats   |
| 1.             | Thermostat must   |
| a.             | energize both “W” and “G” when calling for heat.  |
| b.             | have capability to energize 2 different stages of cooling, and 2 different stages of heating. |
| c.             | include capability for occupancy scheduling.  |

<b>23 09 23</b>	<b>Direct-digital Control system for HVAC</b>
-----------------	---

- |                |   |
|----------------|---|
| 23 09 23.13    | Decentralized, Rooftop Units:   |
| 23 09 23.13.A. | PremierLink controller  |
| 1.             | Shall be ASHRAE 62-2001 compliant.  |
| 2.             | Shall accept 18-32 VAC input power.   |
| 3.             | Shall have an operating temperature range from -40°F (-40°C) to 158°F (70°C), 10% - 95% RH (non-condensing).  |
| 4.             | Shall include an integrated economizer controller to support an economizer with 4 to 20 mA actuator input and no microprocessor controller.   |
| 5.             | Controller shall accept the following inputs: space temperature, setpoint adjustment, outdoor air temperature, indoor air quality, outdoor air quality, indoor relative humidity, compressor lock-out, fire shutdown, enthalpy, fan status, remote time clock/door switch.                          |
| 6.             | Shall accept a CO <sub>2</sub> sensor in the conditioned space, and be Demand Control Ventilation (DCV) ready.  |
| 7.             | Shall provide the following outputs: economizer, fan, cooling stage 1, cooling stage 2, heat stage 1, heat stage 2, heat stage 3/ exhaust/ reversing valve/ dehumidify/ occupied.   |
| 8.             | Unit shall provide surge protection for the controller through a circuit breaker.   |
| 9.             | Shall be Internet capable, and communicate at a Baud rate of 38.4K or faster  |
| 10.            | Shall have an LED display independently showing the status of activity on the communication bus, and processor operation.   |
| 11.            | Shall include an EIA-485 protocol communication port, an access port for connection of either a computer or a Carrier technician tool, an EIA-485 port for network communication to intelligent space sensors and displays, and a port to connect an optional LonWorks plug-in communications card. |

12. Shall have built-in Carrier Comfort Network (CCN) protocol, and be compatible with other CCN devices, including ComfortVIEW controllers.
13. Shall have built-in support for Carrier technician tool.
14. Software upgrades will be accomplished by local download. Software upgrades through chip replacements are not allowed.
15. Shall be shock resistant in all planes to 5G peak, 11ms during operation, and 100G peak, 11ms during storage.
16. Shall be vibration resistant in all planes to 1.5G @ 20-300 Hz.
17. Shall support a bus length of 4000 ft (1219m) max, 60 devices per 1000 ft (305m) section, and 1 RS-485 repeater per 1000 ft (305m) sections.

23 09 23.13.B. RTU Open protocol, direct digital controller:

1. Shall be ASHRAE 62-2001 compliant.
2. Shall accept 18-30VAC, 50-60Hz, and consumer 15VA or less power.
3. Shall have an operating temperature range from -40°F (-40°C) to 130°F (54°C), 10% - 90% RH (non-condensing).
4. Shall include built-in protocol for BACNET (MS/TP and PTP modes), Modbus (RTU and ASCII), Johnson N2 and LonWorks. LonWorks Echelon processor required for all Lon applications shall be contained in separate communication board.
5. Shall allow access of up to 62 network variables (SNVT). Shall be compatible with all open controllers
6. Baud rate Controller shall be selectable using a dipswitch.
7. Shall have an LED display independently showing the status of serial communication, running, errors, power, all digital outputs, and all analog inputs.
8. Shall accept the following inputs: space temperature, setpoint adjustment, outdoor air temperature, indoor air quality, outdoor air quality, compressor lock-out, fire shutdown, enthalpy switch, and fan status/filter status/humidity/ remote occupancy.
9. Shall provide the following outputs: economizer, fan, cooling stage 1, cooling stage 2, heat stage 1, heat stage 2, heat stage 3/ exhaust/ reversing valve.
10. Shall have built-in surge protection circuitry through solid state polyswitches. Polyswitches shall be used on incoming power and network connections. Polyswitches will return to normal when the “trip” condition clears.
11. Shall have a battery back-up capable of a minimum of 10,000 hours of data and time clock retention during power outages.
12. Shall have built-in support for Carrier technician tool.
13. Shall include an EIA-485 protocol communication port, an access port for connection of either a computer or a Carrier technician tool, an EIA-485 port for network communication to intelligent space sensors and displays, and a port to connect an optional LonWorks communications card.
14. Software upgrades will be accomplished by either local or remote download. No software upgrades through chip replacements are allowed.

**23 09 33 Electric and Electronic Control System for HVAC**

23 09 33.13 Decentralized, Rooftop Units:

23 09 33.13.A. General:

1. Shall be complete with self-contained low-voltage control circuit protected by a resettable circuit breaker on the 24-v transformer side. Transformer shall have 75VA capability.
2. Shall utilize color-coded wiring.
3. Shall include a central control terminal board to conveniently and safely provide connection points for vital control functions such as: smoke detectors, phase monitor, gas controller, economizer, thermostat, DDC control options, and low and high pressure switches.
4. The heat exchanger shall be controlled by an integrated gas controller (IGC) microprocessor. See heat exchanger section of this specification.
5. Unit shall include a minimum of one 8-pin screw terminal connection board for connection of control wiring.

23 09 33.23.B. Safeties:

1. Compressor over-temperature, over-current. High internal pressure differential.
2. Low-pressure switch.
  - a. Units shall have different sized connectors for the circuit 1 and circuit 2 low and high pressure switches. They shall physically prevent the cross-wiring of the safety switches between circuits 1 and 2.
  - b. Low pressure switch shall use different color wire than the high pressure switch. The purpose is to assist the installer and service technician to correctly wire and or troubleshoot the rooftop unit.

3. High-pressure switch.
  - a. Units shall have different sized connectors for the circuit 1 and circuit 2 low and high pressure switches. They shall physically prevent the cross-wiring of the safety switches between circuits 1 and 2.
  - b. High pressure switch shall use different color wire than the low pressure switch. The purpose is to assist the installer and service technician to correctly wire and or troubleshoot the rooftop unit.
4. Automatic reset, motor thermal overload protector.
5. Heating section shall be provided with the following minimum protections:
  - a. High-temperature limit switches.
  - b. Induced draft motor speed sensor.
  - c. Flame rollout switch.
  - d. Flame proving controls.

**23 09 93 Sequence of Operations for HVAC Controls**

23 09 93.13 Decentralized, Rooftop Units:

23 09 93.13 INSERT SEQUENCE OF OPERATION

**23 40 13 Panel Air Filters**

23 40 13.13 Decentralized, Rooftop Units:

23 40 13.13.A. Standard filter section

1. Shall consist of factory-installed, low velocity, disposable 2-in. thick fiberglass filters of commercially available sizes.
2. Unit shall use only one filter size. Multiple sizes are not acceptable.
3. Filters shall be accessible through a dedicated, weather tight access panel.
4. 4-in filter capabilities shall be capable with pre-engineered and approved Carrier filter track field installed accessory. This kit requires field furnished filters.

**23 81 19 Self-Contained Air Conditioners**

23 81 19.13 Medium-Capacity Self-Contained Air Conditioners (48TC\*D17-30)

23 81 19.13.A. General

1. Outdoor, rooftop mounted, electrically controlled, heating and cooling unit utilizing a fully hermetic scroll compressor(s) for cooling duty and gas combustion for heating duty.
2. Factory assembled, single-piece heating and cooling rooftop unit. Contained within the unit enclosure shall be all factory wiring, piping, controls, and special features required prior to field start-up.
3. Unit shall use environmentally sound, Puron refrigerant.
4. Unit shall be installed in accordance with the manufacturer's instructions.
5. Unit must be selected and installed in compliance with local, state, and federal codes.

23 81 19.13.B. Quality Assurance

1. Unit meets ASHRAE 90.1 minimum efficiency requirements.
2. Unit shall be rated in accordance with AHRI Standard 340/360.
3. Unit shall be designed to conform to ASHRAE 15.
4. Unit shall be ETL-tested and certified in accordance with ANSI Z21.47 Standards and ETL-listed and certified under Canadian standards as a total package for safety requirements.
5. Insulation and adhesive shall meet NFPA 90A requirements for flame spread and smoke generation.
6. Unit casing shall be capable of withstanding 500-hour salt spray exposure per ASTM B117 (scribed specimen).
7. Unit casing shall be capable of withstanding Federal Test Method Standard No. 141 (Method 6061) 5000-hour salt spray.
8. Unit shall be designed and manufactured in accordance with ISO 9001.
9. Roof curb shall be designed to conform to NRCA Standards.
10. Unit shall be subjected to a completely automated run test on the assembly line. The data for each unit will be stored at the factory, and must be available upon request.
11. Unit shall be designed in accordance with UL Standard 1995, including tested to withstand rain.
12. Unit shall be constructed to prevent intrusion of snow and tested to prevent snow intrusion into the control box up to 40 mph.
13. Unit shake tested to assurance level 1, ASTM D4169 to ensure shipping reliability.
14. High Efficient Motors listed shall meet section 313 of the Energy Independence and Security Act of 2007 (EISA 2007).

23 81 19.13.C. Delivery, Storage, and Handling

1. Unit shall be stored and handled per manufacturer's recommendations.
2. Lifted by crane requires either shipping top panel or spreader bars.
3. Unit shall only be stored or positioned in the upright position.

23 81 19.13.D. Project Conditions

1. As specified in the contract.

23 81 19.13.E. Operating Characteristics

1. Unit shall be capable of starting and running at 115°F (46°C) ambient outdoor temperature, meeting maximum load criteria of AHRI Standard 340/360 at ± 10% voltage.
2. Compressor with standard controls shall be capable of operation down to 30°F (-1°C), ambient outdoor temperatures. Accessory winter start kit is necessary if mechanically cooling at ambient temperatures below 30°F (-1°C).
3. Unit shall discharge supply air vertically as shown on contract drawings.
4. Unit shall be factory configured and ordered for vertical supply & return configurations.
5. Unit shall be factory furnished for vertical configuration. No field conversion is required.

23 81 19.13.F. Electrical Requirements

1. Main power supply voltage, phase, and frequency must match those required by the manufacturer.

23 81 19.13.G. Unit Cabinet

1. Unit cabinet shall be constructed of galvanized steel, and shall be bonderized and coated with a pre-painted baked enamel finish on all externally exposed surfaces.
2. Unit cabinet exterior paint shall be: film thickness, (dry) 0.003 inches minimum, gloss (per ASTM D523, 60°F / 16°C): 60, Hardness: H-2H Pencil hardness.
3. Evaporator fan compartment interior cabinet insulation shall conform to AHRI Standard 340/360 minimum exterior sweat criteria. Interior surfaces shall be insulated with a minimum 1/2-in. thick, 1 lb density, flexible fiberglass insulation, neoprene coated on the air side. Aluminum foil-faced fiberglass insulation shall be used in the gas heat compartment.
4. Base of unit shall have a minimum of four locations for thru-the-base gas and electrical connections standard. Both gas and electric connections shall be internal to the cabinet to protect from environmental issues.
5. Base Rail
  - a. Unit shall have base rails on a minimum of 2 sides.
  - b. Holes shall be provided in the base rails for rigging shackles to facilitate maneuvering and overhead rigging.
  - c. Holes shall be provided in the base rail for moving the rooftop by fork truck.
  - d. Base rail shall be a minimum of 16 gauge thickness.
6. Condensate pan and connections:
  - a. Shall be a sloped condensate drain pan made of a non-corrosive material.
  - b. Shall comply with ASHRAE Standard 62.
  - c. Shall use a 3/4-in -14 NPT drain connection, through the side of the drain pan. Connection shall be made per manufacturer's recommendations.
7. Top panel:
  - a. Shall be a multi-piece top panel linked with water tight flanges and locking systems.
8. Gas Connections:
  - a. All gas piping connecting to unit gas valve shall enter the unit cabinet at a single location on side of unit (horizontal plane).
  - b. Thru-the-base capability
    - (1.) Standard unit shall have a thru-the-base gas-line location using a raised, embossed portion of the unit basepan.
    - (2.) Thru-the-base provisions/connections are available as standard with every unit. When bottom connections are required, field furnished couplings are required.
    - (3.) No basepan penetration, other than those authorized by the manufacturer, is permitted.
9. Electrical Connections
  - a. All unit power wiring shall enter unit cabinet at a single, factory-prepared, knockout location.
  - b. Thru-the-base capability
    - (1.) Thru-the-base provisions/connections are available as standard with every unit. When bottom connections are required, field furnished couplings are required.

(2.) No basepan penetration, other than those authorized by the manufacturer, is permitted.

10. Component access panels (standard)

- a. Cabinet panels shall be easily removable for servicing.
- b. Unit shall have one factory installed, removable, filter access panel.
- c. Panels covering control box and filter shall have molded composite handles while the blower access door shall have an integrated flange for easy removal.
- d. Handles shall be UV modified, composite. They shall be permanently attached, and recessed into the panel.
- e. Screws on the vertical portion of all removable access panels shall engage into heat resistant, molded composite collars.
- f. Collars shall be removable and easily replaceable using manufacturer recommended parts.

23 81 19.13.H. Gas Heat

1. General

- a. Heat exchanger shall be an induced draft design. Positive pressure heat exchanger designs shall not be allowed.
- b. Shall incorporate a direct-spark ignition system and redundant main gas valve.
- c. Gas supply pressure at the inlet to the rooftop unit gas valve must match that required by the manufacturer.

2. The heat exchanger shall be controlled by an integrated gas controller (IGC) microprocessor.

- a. IGC board shall notify users of fault using an LED (light-emitting diode).
- b. IGC board shall contain algorithms that modify evaporator-fan operation to prevent future cycling on high temperature limit switch.
- c. Unit shall be equipped with anti-cycle protection with one short cycle on unit flame rollout switch or 4 continuous short cycles on the high temperature limit switch. Fault indication shall be made using an LED.

3. Standard Heat Exchanger construction

- a. Heat exchanger shall be of the tubular-section type constructed of a minimum of 20-gauge steel coated with a nominal 1.2 mil aluminum-silicone alloy for corrosion resistance.
- b. Burners shall be of the in-shot type constructed of aluminum-coated steel.
- c. Burners shall incorporate orifices for rated heat output up to 2000 ft (610m) elevation. Additional accessory kits may be required for applications above 2000 ft (610m) elevation, depending on local gas supply conditions.
- d. Each heat exchanger tube shall contain multiple dimples for increased heating effectiveness.

4. Optional Stainless Steel Heat Exchanger construction

- a. Use energy saving, direct-spark ignition system.
- b. Use a redundant main gas valve.
- c. Burners shall be of the in-shot type constructed of aluminum-coated steel.
- d. All gas piping shall enter the unit cabinet at a single location on side of unit (horizontal plane).
- e. The optional stainless steel heat exchanger shall be of the tubular-section type, constructed of a minimum of 20-gauge type 409 stainless steel.
- f. Type 409 stainless steel shall be used in heat exchanger tubes and vestibule plate.
- g. Complete stainless steel heat exchanger allows for greater application flexibility.

5. Induced draft combustion motor and blower

- a. Shall be a direct-drive, single inlet, forward-curved centrifugal type.
- b. Shall be made from steel with a corrosion-resistant finish.
- c. Shall have permanently lubricated sealed bearings.
- d. Shall have inherent thermal overload protection.
- e. Shall have an automatic reset feature.

23 81 19.13.I. Coils

1. Standard Aluminum Fin - Copper Tube Coils:

- a. Standard evaporator and condenser coils shall have aluminum lanced plate fins mechanically bonded to seamless internally grooved copper tubes with all joints brazed.
- b. Evaporator coils shall be leak tested to 150 psig, pressure tested to 450 psig, and qualified to UL 1995 burst test at 1775 psig.
- c. Condenser coils shall be leak tested to 150 psig, pressure tested to 650 psig, and qualified to UL 1995 burst test at 1980 psig.

2. Optional Pre-coated aluminum-fin condenser coils:



- a. Shall have a durable epoxy-phenolic coating to provide protection in mildly corrosive coastal environments.
  - b. Coating shall be applied to the aluminum fin stock prior to the fin stamping process to create an inert barrier between the aluminum fin and copper tube.
  - c. Epoxy-phenolic barrier shall minimize galvanic action between dissimilar metals.
3. Optional Copper-fin evaporator and condenser coils:
    - a. Shall be constructed of copper fins mechanically bonded to copper tubes and copper tube sheets.
    - b. Galvanized steel tube sheets shall not be acceptable.
    - c. A polymer strip shall prevent coil assembly from contacting the sheet metal coil pan to minimize potential for galvanic corrosion between coil and pan.
  4. Optional E-coated aluminum-fin evaporator and condenser coils:
    - a. Shall have a flexible epoxy polymer coating uniformly applied to all coil surface areas without material bridging between fins.
    - b. Coating process shall ensure complete coil encapsulation of tubes, fins and headers.
    - c. Color shall be high gloss black with gloss per ASTM D523-89.
    - d. Uniform dry film thickness from 0.8 to 1.2 mil on all surface areas including fin edges.
    - e. Superior hardness characteristics of 2H per ASTM D3363-92A and cross-hatch adhesion of 4B-5B per ASTM D3359-93.
    - f. Impact resistance shall be up to 160 in.-lb (ASTM D2794-93).
    - g. Humidity and water immersion resistance shall be up to minimum 1000 and 250 hours respectively (ASTM D2247-92 and ASTM D870-92).
    - h. Corrosion durability shall be confirmed through testing to be no less than 1000 hours salt spray per ASTM B117-90.
  5. Standard All Aluminum Novation Coils:
    - a. Standard condenser coils shall have all aluminum NOVATION Heat Exchanger Technology design consisting of aluminum multi port flat tube design and aluminum fin. Coils shall be a furnace brazed design and contain epoxy lined shrink wrap on all aluminum to copper connections.
    - b. Condenser coils shall be leak tested to 150 psig, pressure tested to 650 psig, and qualified to UL 1995 burst test at 1980 psig.
  6. Optional E-coated aluminum-fin, aluminum tube condenser coils:
    - a. Shall have a flexible epoxy polymer coating uniformly applied to all coil external surface areas without material bridging between fins.
    - b. Coating process shall ensure complete coil encapsulation, including all exposed fin edges.
    - c. E-coat thickness of 0.8 to 1.2 mil with top coat having a uniform dry film thickness from 1.0 to 2.0 mil on all external coil surface areas, including fin edges, shall be provided.
    - d. Shall have superior hardness characteristics of 2H per ASTM D3363-00 and cross-hatch adhesion of 4B-5B per ASTM D3359-02.
    - e. Shall have superior impact resistance with no cracking, chipping or peeling per NSF/ANSI 51-2002 Method 10.2.

#### 23 81 19.13.J. Refrigerant Components

1. Refrigerant circuit shall include the following control, safety, and maintenance features:
  - a. Fixed orifice metering system (on non-Humidimizer units) shall prevent mal-distribution of two-phase refrigerant by including multiple fixed orifice devices in each refrigeration circuit. Each orifice is to be optimized to the coil circuit it serves.
  - b. Thermostatic Expansion Valve (TXV) shall help provide optimum performance across the entire operating range. Shall contain removable power element to allow change-out of power element and bulb without removing the valve body (for Humidimizer units only).
  - c. Refrigerant filter drier - Solid core design.
  - d. Service gauge connections on suction and discharge lines.
  - e. Pressure gauge access through a specially designed access screen on the side of the unit.
2. Compressors
  - a. Unit shall use fully hermetic, scroll compressor for each independent refrigeration circuit.
  - b. Models shall be available with 2 compressor/2-stage cooling.
  - c. Compressor motors shall be cooled by refrigerant gas passing through motor windings.
  - d. Compressors shall be internally protected from high discharge temperature conditions.

- e. Compressors shall be protected from an over-temperature and over-amperage conditions by an internal, motor overload device.
- f. Compressor shall be factory mounted on rubber grommets.
- g. Compressor motors shall have internal line break thermal, current overload and high pressure differential protection.
- h. Crankcase heaters shall not be required for normal operating range, unless provided by the factory.

23 81 19.13.K. Filter Section

- 1. Filters access is specified in the unit cabinet section of this specification.
- 2. Filters shall be held in place by a preformed, slide-out filter tray, facilitating easy removal and installation.
- 3. Shall consist of factory-installed, low velocity, throw-away 2-in. thick fiberglass filters.
- 4. Filters shall be standard, commercially available sizes.
- 5. Only one size filter per unit is allowed.
- 6. 4-in filter capability is possible with a field installed pre-engineered slide out filter track accessory. 4-in filters are field furnished.

23 81 19.13.L. Evaporator Fan and Motor

- 1. Evaporator fan motor:
  - a. Shall have inherent automatic-reset thermal overload protection or circuit breaker.
  - b. Shall have a maximum continuous bhp rating for continuous duty operation; no safety factors above that rating shall be required.
- 2. Belt-driven Evaporator Fan:
  - a. Belt drive shall include an adjustable-pitch motor pulley and belt break protection system.
  - b. Shall use rigid pillow block bearing system with lubricant fittings at accessible bearing or lubrication line.
  - c. Blower fan shall be double-inlet type with forward-curved blades.
  - d. Shall be constructed from steel with a corrosion resistant finish and dynamically balanced.

23 81 19.13.M. Condenser Fans and Motors

- 1. Condenser fan motors:
  - a. Shall be a totally enclosed motor.
  - b. Shall use permanently lubricated bearings.
  - c. Shall have inherent thermal overload protection with an automatic reset feature.
  - d. Shall use a shaft-down design.
- 2. Condenser Fans:
  - a. Shall be a direct-driven propeller type fan.
  - b. Shall have galvalum blades riveted to corrosion-resistant steel spiders and shall be dynamically balanced.

23 81 19.13.N. Special Features Options and Accessories

- 1. Staged Air Volume System (SAV) for 2-stage cooling models only:
  - a. Evaporator fan motor:
    - (1.) Shall have permanently lubricated bearings.
    - (2.) Shall have a maximum continuous bhp rating for continuous duty operation; no safety factors above that rating.
    - (3.) Shall be Variable Frequency duty and 2-speed control.
    - (4.) Shall contain motor shaft grounding ring to prevent electrical bearing fluting damage by safely diverting harmful shaft voltages and bearing currents to ground.
- 2. Variable Frequency Drive (VFD). Only available on 2-speed indoor fan motor option (SAV):
  - a. Shall be installed inside the unit cabinet, mounted, wired and tested.
  - b. Shall contain Electromagnetic Interference (EMI) frequency protection.
  - c. Insulated Gate Bi-Polar Transistors (IGBT) used to produce the output pulse width modulated (PWM) waveform, allowing for quiet motor operation.
  - d. Self diagnostics with fault and power code LED indicator. Field accessory Display Kit available for further diagnostics and special setup applications.
  - e. RS485 capability standard.
  - f. Electronic thermal overload protection.
  - g. 5% swinging chokes for harmonic reduction and improved power factor.
  - h. All printed circuit boards shall be conformal coated.

3. Standard Integrated Economizers:
  - a. Integrated, gear-driven opposing blade design type capable of simultaneous economizer and compressor operation.
  - b. Independent modules for vertical return configurations shall be available. Vertical return modules shall be available as a factory installed option or field installed accessory.
  - c. Damper blades shall be galvanized steel with composite gears. Plastic or composite blades on intake or return shall not be acceptable.
  - d. Shall include all hardware and controls to provide free cooling with outdoor air when temperature and/or humidity are below setpoints.
  - e. Shall be equipped with gear driven dampers for both the outdoor ventilation air and the return air for positive air stream control.
  - f. Standard models shall be equipped with low-leakage dampers, not to exceed 2% leakage at 1 in. wg pressure differential. Economizer controller on electromechanical units shall be Honeywell W7212 that provides:
    - (1.) Combined minimum and DCV maximum damper position potentiometers with compressor staging relay.
    - (2.) Functions with solid state analog enthalpy or dry bulb changeover control sensing.
    - (3.) Contain LED indicates for:
      - When free cooling is available
      - When module is in DCV mode
      - When exhaust fan contact is closed
  - g. Ultra low leak EconoMi\$er X system shall be available on models with SAV 2-speed Variable Frequency Drive (VFD) systems. Only available on 2-speed indoor fan motor systems with electromechanical controls or RTU Open.
    - (1.) Maximum damper leakage rate to be equal to or less than 4.0 cfm/sq. ft. at 1.0 in. w.g., meeting or exceeding ASHRAE 90.1 requirements. Economizer controller on electromechanical units shall be Honeywell W7220 that provides:
      - (2.) 2-line LCD interface screen for setup, configuration and troubleshooting.
      - (3.) On-board fault detection and diagnostics
      - (4.) Sensor failure loss of communication identification
      - (5.) Automatic sensor detection
      - (6.) Capabilities for use with multiple-speed indoor fan systems
      - (7.) Utilize digital sensors: Dry bulb and Enthalpy
  - h. Shall be capable of introducing up to 100% outdoor air.
  - i. Shall be equipped with a barometric relief damper capable of relieving up to 100% return air.
  - j. Shall be designed to close damper(s) during loss-of-power situations with spring return built into motor.
  - k. Dry bulb outdoor air temperature sensor shall be provided as standard. Outdoor air sensor setpoint shall be adjustable and shall range from 40 to 100°F / 4 to 38°C. Additional sensor options shall be available as accessories.
  - l. The economizer controller shall also provide control of an accessory power exhaust unit function. Factory set at 100%, with a range of 0% to 100%.
  - m. The economizer shall maintain minimum airflow into the building during occupied period and provide design ventilation rate for full occupancy. A remote potentiometer may be used to override the damper setpoint.
  - n. Dampers shall be completely closed when the unit is in the unoccupied mode.
  - o. Economizer controller shall accept a 2-10 Vdc CO<sub>2</sub> sensor input for IAQ/DCV control. In this mode, dampers shall modulate the outdoor air damper to provide ventilation based on the sensor input.
  - p. Compressor lockout sensor shall open at 35°F (2°C) and close closes at 50°F (10°C).
  - q. Actuator shall be direct coupled to economizer gear. No linkage arms or control rods shall be acceptable.
  - r. Economizer controller shall provide indications when in free cooling mode, in the DCV mode, or the exhaust fan contact is closed.
4. Two-Position Motorized Damper:
  - a. Damper shall be a Two-Position Damper. Damper travel shall be from the full closed position to the field adjustable %-open setpoint.
  - b. Damper shall include adjustable damper travel from 25% to 100% (full open).
  - c. Damper shall include single or dual blade, gear driven dampers and actuator motor.

- d. Actuator shall be direct coupled to damper gear. No linkage arms or control rods shall be acceptable.
  - e. Damper will admit up to 100% outdoor air for applicable rooftop units.
  - f. Damper shall close upon indoor (evaporator) fan shutoff and/or loss of power.
  - g. The damper actuator shall plug into the rooftop unit's wiring harness plug. No hard wiring shall be required.
  - h. Outside air hood shall include aluminum water entrainment filter.
5. Manual damper
    - a. Manual damper package shall consist of damper, air inlet screen, and rain hood which can be preset to admit up to 25% outdoor air for year round ventilation.
  6. Humidi-MiZer Adaptive Dehumidification System (not available on 30 size models):
    - a. The Humidi-MiZer Adaptive Dehumidification System shall be factory-installed in 48TC17-28 models with RTPF (round tube plate fin) condenser coils, and shall provide greater dehumidification of the occupied space by two modes of dehumidification operations beside its normal design cooling mode:
      - (1.) Subcooling mode further sub cools the hot liquid refrigerant leaving the condenser coil when both temperature and humidity in the space are not satisfied.
      - (2.) Hot gas reheat mode shall mix a portion of the hot gas from the discharge of the compressor with the hot liquid refrigerant leaving the condenser coil to create a two-phase heat transfer in the system, resulting in a neutral leaving air temperature when only humidity in the space is not satisfied.
      - (3.) Includes head pressure controller.
  7. Head Pressure Control Package (MotorMaster)
    - a. Controller shall control coil head pressure by condenser-fan speed modulation or condenser-fan cycling and wind baffles.
    - b. Shall consist of solid-state control and condenser-coil temperature sensor to maintain condensing temperature between 90°F (32°C) and 110°F (43°C) at outdoor ambient temperatures down to -20°F (-29°C).
  8. Propane Conversion Kit
    - a. Package shall contain all the necessary hardware and instructions to convert a standard natural gas unit for use with liquefied propane. Kits shall be available for elevations from 0 up to 14,000 ft (4,267m).
  9. Condenser Coil Hail Guard Assembly
    - a. Shall protect against damage from hail.
    - b. Shall be louvered style design.
  10. Unit-Mounted, Non-Fused Disconnect Switch:
    - a. Switch shall be factory-installed, internally mounted.
    - b. National Electric Code (NEC) and UL approved non-fused switch shall provide unit power shutoff.
    - c. Shall be accessible from outside the unit.
    - d. Shall provide local shutdown and lockout capability.
  11. Convenience Outlet:
    - a. Powered convenience outlet.
      - (1.) Outlet shall be powered from main line power to the rooftop unit.
      - (2.) Outlet shall be powered from line side of disconnect by installing contractor, as required by code. If outlet is powered from load side of disconnect, unit electrical ratings shall be ETL certified and rated for additional outlet amperage.
      - (3.) Outlet shall be factory-installed and internally mounted with easily accessible 115-v female receptacle.
      - (4.) Outlet shall include 15 amp GFI receptacles with independent fuse protection.
      - (5.) Voltage required to operate convenience outlet shall be provided by a factory-installed step-down transformer.
      - (6.) Outlet shall be accessible from outside the unit.
    - b. Non-Powered convenience outlet.
      - (1.) Outlet shall be powered from a separate 115/120v power source.
      - (2.) A transformer shall not be included.
      - (3.) Outlet shall be factory-installed and internally mounted with easily accessible 115-v female receptacle.
      - (4.) Outlet shall include 15 amp GFI receptacles with independent fuse protection.
      - (5.) Outlet shall be accessible from outside the unit.

12. Flue Discharge Deflector:
  - a. Flue discharge deflector shall direct unit exhaust vertically instead of horizontally.
  - b. Deflector shall be defined as a “natural draft” device by the National Fuel and Gas (NFG) code.
13. Centrifugal Power Exhaust:
  - a. Power exhaust shall be used in conjunction with an integrated economizer.
  - b. Independent modules for vertical return configurations shall be available.
  - c. Power exhaust shall be controlled by economizer controller operation. Exhaust fans shall be energized when dampers open past the 0-100% adjustable setpoint on the economizer control.
14. Roof Curbs (Vertical):
  - a. Full perimeter roof curb with exhaust capability providing separate air streams for energy recovery from the exhaust air without supply air contamination.
  - b. Formed galvanized steel with wood nailer strip and shall be capable of supporting entire unit weight.
  - c. Permits installation and securing of ductwork to curb prior to mounting unit on the curb.
15. Adapter Curb (Vertical):
  - a. Full perimeter – fully assembled and welded roof curb with exhaust capability providing separate air streams for energy recovery from the exhaust air without supply air contamination.
  - b. Formed galvanized steel with wood nailer strip and shall be capable of supporting entire unit weight.
  - c. Permits installation of new 48TC17-28 models to past Carrier design curb models: DP, DR, HJ, TM, and TJ. (Not for 48TJE024-028 models.) Check with Carrier sales expert of further details and information.
16. High Altitude Gas Conversion Kit:
  - a. Package shall contain all the necessary hardware and instructions to convert a standard natural gas unit to operate from 3,000-10,000 ft (914 to 3048m) elevation and 10,001-14,000 ft (3049-4267m) elevation.
17. Outdoor Air Enthalpy Sensor:
  - a. The outdoor air enthalpy sensor shall be used to provide single enthalpy control. When used in conjunction with a return air enthalpy sensor, the unit will provide differential enthalpy control. The sensor allows the unit to determine if outside air is suitable for free cooling.
18. Return Air Enthalpy Sensor:
  - a. The return air enthalpy sensor shall be used in conjunction with an outdoor air enthalpy sensor to provide differential enthalpy control.
19. Indoor Air Quality (CO<sub>2</sub>) Sensor:
  - a. Shall be able to provide demand ventilation indoor air quality (IAQ) control.
  - b. The IAQ sensor shall be available in duct mount, wall mount, or wall mount with LED display. The setpoint shall have adjustment capability.
20. Smoke detectors:
  - a. Shall be a Four-Wire Controller and Detector.
  - b. Shall be environmental compensated with differential sensing for reliable, stable, and drift-free sensitivity.
  - c. Shall use magnet-activated test/reset sensor switches.
  - d. Shall have tool-less connection terminal access.
  - e. Shall have a recessed momentary switch for testing and resetting the detector.
  - f. Controller shall include:
    - (1.) One set of normally open alarm initiation contacts for connection to an initiating device circuit on a fire alarm control panel.
    - (2.) Two Form-C auxiliary alarm relays for interface with rooftop unit or other equipment.
    - (3.) One Form-C supervision (trouble) relay to control the operation of the Trouble LED on a remote test/reset station.
    - (4.) Capable of direct connection to two individual detector modules.
    - (5.) Can be wired to up to 14 other duct smoke detectors for multiple fan shutdown applications
21. Winter start kit
  - a. Shall contain a bypass device around the low pressure switch.
  - b. Shall be required when mechanical cooling is required down to 25°F (-4°C).
  - c. Shall not be required to operate on an economizer when below an outdoor ambient of 40°F (4°C).
22. Time Guard
  - a. Shall prevent compressor short cycling by providing a 5-minute delay (±2 minutes) before restarting a compressor after shutdown for any reason.
  - b. One device shall be required per compressor.

23. California OSHPD Seismic Certification Label (17-28 sizes only)
  - a. Units meet the seismic capacity requirements of the International Code Council Evaluation Service (ICC-ES) document AC156 (Acceptance Criteria for Seismic Qualification by Shake-Table Testing of Nonstructural Components and Systems) and per International Building Code (IBC 2009) at an SDS (g) value of 2.00  $z/h=1.0$ ,  $I_p=1.5$  and certified by independent structural engineers.
  - b. Units shall include a certification label that meets the CA OSHPD Special Seismic Certification pre-approval labeling requirements on the external chassis of the unit.
24. Display Kit for Variable Frequency Drive
  - a. Kit allows the ability to access the VFD controller programs to provide special setup capabilities and diagnostics.
  - b. Kit contains display module and communication cable.
  - c. Display Kit can be permanently installed in the unit or used on any SAV system VFD controller as needed.
25. Hinged Access Panels:
  - a. Shall provide easy access through hinged access doors with vinyl coated door retainers.
  - b. Shall be on major panels of – filter, control box and fan motor.
26. Energy Demand System - EDS (field installed accessory):
  - a. Shall utilize wireless network communication to optimize rooftop unit energy usage, up to 875 yds and up to 49 load controllers for each gateway. A wireless cellular signal shall be utilized to communicate energy information to/from the customer web portal.
  - b. Shall utilize explicit algorithms to minimize rooftop electrical demand charges, customizable to each facility.
  - c. Shall allow scheduling of rooftop units and provide a “staggered start” approach to minimize electrical consumption charges, customized to each facility.
  - d. Scheduling, adjustments, and sub-metered electrical data shall be accessible through a web based customer portal.
  - e. Shall provide demand response capability, including compliance with Open ADR protocol.
  - f. Shall utilize an external 4-pole relay and an internal single pole relay.
  - g. Shall use (2) split core transformers to provide real-time sub-metered electrical usage.