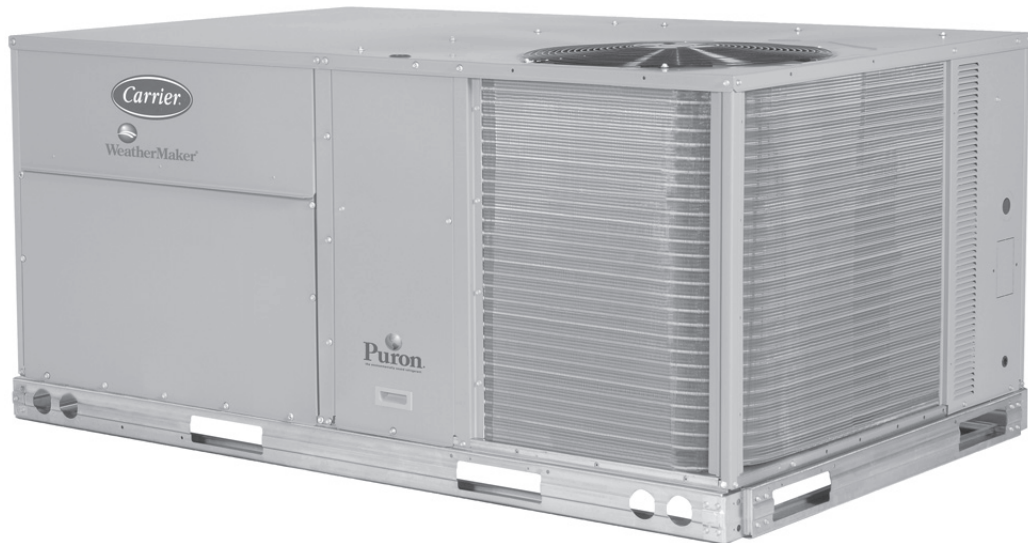


**50TC  
Cooling Only/Electric Heat  
Packaged Rooftop  
3 to 15 Nominal Tons**



## **Product Data**



C08613



# TABLE OF CONTENTS

	PAGE		PAGE
FEATURES AND BENEFITS .....	3	APPLICATION DATA .....	27
MODEL NUMBER NOMENCLATURE .....	4	COOLING TABLES .....	30
FACTORY OPTIONS & ACCESSORIES .....	5	STATIC PRESSURE TABLES .....	51
AHRI CAPACITY RATING .....	9	FAN PERFORMANCE .....	54
SOUND PERFORMANCE .....	11	SEQUENCE OF OPERATION .....	168
PHYSICAL DATA .....	12	GUIDE SPECIFICATIONS .....	171
CURBS & WEIGHTS DIMENSIONS .....	15		



Turn to the Experts.™

The Carrier rooftop unit (RTU) was designed by customers for customers. With no-strip screw collars, handled access panels, and more we've made your unit easy to install, easy to maintain and easy to use.

### **Easy to install:**

All WeatherMaker™ units are field-convertible to horizontal air flow which makes it easy to adjust to unexpected job site complications. Lighter units make easy replacement. Most Carrier 50TC rooftops fit on existing Carrier curbs dating back to 1989. Also, our large control box gives you room to work and room to mount Carrier accessory controls.

### **Easy to maintain:**

Easy access handles by Carrier provide quick and easy access to all normally serviced components. Our "no-strip" screw system has superior holding power and guides screws into position while preventing the screw from stripping the unit's metal. Take accurate pressure readings by reading condenser pressure with panels on. Simply remove the black, composite plug, route your gauge line(s) through the hole, and connect them to the refrigeration service valve(s).

### **Easy to use:**

The newly designed, central terminal board by Carrier puts all your connections and troubleshooting points in one convenient place, standard. Most low voltage connections are made to the same board and make it easy to find what you're looking for and easy to access it. Carrier rooftops have high and low pressure switches, a filter drier, and 2-in (51mm) filters standard.

## FEATURES AND BENEFITS

- Single-stage cooling capacity control on 04 to 12 models. Two-stage cooling capacity control on 08 to 16 models.
- SEER's up to 13.0.
- EER's up to 11.3.
- IEER's up to 12.2 with 1-speed indoor fan motor.
- IEER's up to 13.0 with 2-speed/VFD indoor fan motor.
- Up to 28% lighter than similar industry units. Lighter rooftops make easier replacement jobs.
- 3-12.5 ton units fit on existing Carrier rooftop curbs making the utility connections the same. This saves time and money on replacement jobs.
- Standardized components and layout. Standardized components and controls make service and stocking parts easier.
- Scroll compressors on all units. This makes service, stocking parts, replacement, and troubleshooting easier.
- Field convertible airflow (3-12.5 tons). Being able to convert a unit from vertical airflow to horizontal makes it easy to overcome job site complications. 15 ton models requires a simple supply duct cover to field convert from factory vertical to horizontal.
- Easy-adjust, belt-drive motor available. There's no need for field-supplied drives or motors.
- Provisions for bottom or side condensate drain.
- Capable of thru-the-base or thru-the-curb electrical routing.
- Single-point electrical connection.
- Sloped, composite drain pan sheds water; and won't rust.
- Standardized controls and control box layout. Standardized components and controls make stocking parts and service easier.
- Clean, large, easy to use control box.
- Color-coded wiring.
- Large, laminated wiring and power wiring drawings which are affixed to unit make troubleshooting easy.
- Single, central terminal board for test and wiring connections.
- Fast-access, handled, panels for easy access to the blower and blower motor, control box, and compressors.
- "No-strip" screw system guides screws into the panel and captures them tightly without stripping the screw, the panel, or the unit.
- Exclusive, newly-design indoor refrigerant header for easier maintenance and replacement.
- Mechanical cooling (115°F to 40°F or 46°C to 4°C) standard on all models. Winter start kit allows cooling operation down to 25°F (-4°C) and MotorMaster to -20°F (-29°C).
- 2-in (51mm) disposable filters on all units.
- Refrigerant filter-drier on each circuit.
- High and low pressure switches. Added reliability with high pressure switch and low pressure switch.
- Factory-installed Humidi-MiZer adaptive dehumidification system on all sizes with round tube/plate fin condenser coils, includes MotorMaster I controller.
- Optional Staged Air Volume (SAV) system utilizes a Variable Frequency Drive (VFD) to automatically adjust the indoor fan motor speed between cooling stages. Available on 2-stage cooling models 08-16 with electromechanical controls or RTU Open.

# MODEL NUMBER NOMENCLATURE

1	2	3	4	5	6	7	8	9	10	11	12	13	14	15	16	17	18
5	0	T	C	-	A	0	4	A	1	A	5	-	0	A	0	A	0

## Product Type

50 = Elect Heat Pkg. Rooftop

## Model Series

TC = Standard Efficiency

## Heat Size

- = No heat

## Refrigerant System Options

A = 1-stage cooling models  
 B = 1 stg cooling w/Humidi-MiZer (04-07)  
 D = 2 stage Cooling (08-16)  
 E = 2 stg cooling w/Al/Cu cond. coil and with Humidi-MiZer (08-16)

## Cooling Tons

04 = 3 ton                      08 = 7.5 ton  
 05 = 4 ton                      09 = 8.5 ton  
 06 = 5 ton                      12 = 10 ton  
 07 = 6 ton                      14 = 12.5 ton  
    16 = 15 ton

## Sensor Options

A = None  
 B = RA Smoke Detector  
 C = SA Smoke Detector  
 D = RA + SA Smoke Detector  
 E = CO<sub>2</sub> Sensor  
 F = RA Smoke Detector + CO<sub>2</sub>  
 G = SA Smoke Detector + CO<sub>2</sub>  
 H = RA + SA Smoke Detector + CO<sub>2</sub>

## Indoor Fan Options

1 = Standard Static Option  
 2 = Medium Static Option  
 3 = High Static Option  
 C = High Static Option w/Hi-Effy Motor (16 only)

## Coil Options for round tube plate fin (RTPF) cond. models only (Outdoor-Indoor-Hail Guard)

A = Al/Cu - Al/Cu  
 B = Pre-coat Al/Cu - Al/Cu  
 C = E-coat Al/Cu - Al/Cu  
 D = E-coat AL/Cu - E-coat AL/Cu  
 E = Cu/Cu - Al/Cu  
 F = Cu/Cu - Cu/Cu  
 M = Al/Cu - Al/Cu - Louvered Hail Guard  
 N = Pre-Coat Al/Cu - Al/Cu - Louvered Hail Guard  
 P = E-Coat Al/Cu - Al/Cu Louvered Hail Guard  
 Q = E-Coat Al/Cu - E-coat Al/Cu - Louvered Hail Guard  
 R = Cu/Cu - Al/Cu - Louvered Hail Guard  
 S = Cu/Cu - Cu/Cu - Louvered Hail Guard

## Coil Options for all aluminum - Novation cond. models only (Outdoor-Indoor-Hail Guard)

G = Al/Al - Al/Cu  
 H = Al/Al - Cu/Cu  
 J = Al/Al - E-coat Al/Cu  
 K = E-coat Al/Al - Al/Cu  
 L = E-coat Al/Al - E-coat Al/Cu  
 T = Al/Al - Al/Cu, Louvered Hail Guard  
 U = Al/Al - Cu/Cu, Louvered Hail Guard  
 V = Al/Al - E-coat Al/Cu, Louvered Hail Guard  
 W = E-coat Al/Al - Al/Cu, Louvered Hail Guard  
 X = E-coat Al/Al - E-coat Al/Cu, Louvered Hail Guard

## Packaging

0 = Standard  
 1 = LTL  
 3 = CA Seismic Compliant  
 4 = LTL & CA Seismic Compliant

## Electrical Options

A = None  
 C = Non-fused disconnect  
 D = Thru the base connections  
 F = Non-fused disconnect & thru the base  
 G = 2-speed indoor fan (VFD) controller  
 J = 2-spd contr (VFD) & non-fused disc.  
 K = 2-spd contr (VFD) & thru the base  
 M = 2-spd cont (VFD) non-fused disc. & thru the base connections

## Service Options

0 = None  
 1 = Un-powered Convenience Outlet  
 2 = Powered Convenience Outlet  
 3 = Hinged Panels  
 4 = Hinged Panels, un-powered C.O.  
 5 = Hinged Panels, powered C.O.

## Intake / Exhaust Options

A = None  
 B = Temperature Economizer w/Barometric Relief  
 F = Enthalpy Economizer w/Barometric Relief  
 K = 2 position Damper  
 U = Temp Ultra Low Leak Economizer w/Baro Relief  
 W = Enthalpy Ultra Low Leak Econo w/Baro Relief

## Base Unit Controls

0 = Base Electromechanical Controls  
 1 = PremierLink Controller  
 2 = RTU Open Multi-Protocol Controller  
 6 = Electromechanical with 2 speed fan and W7220 Econo controller

## Design Revision

= Factory Design Revision

## Voltage

1 = 575/3/60  
 3 = 208-230/1/60  
 5 = 208-230/3/60  
 6 = 460/3/60

## Note: On single phase (-3 voltage code) models, the Following are not available as a factory installed option:

- Humidi-Mizer
- Coated Coils or CU Fin Coils
- Louvered Hail Guards
- Economizer or 2 Position Damper
- Powered 115 Volt Convenience Outlet

Not all possible options can be displayed above - see price pages or contact your Carrier Expert for more details.

**Table 1 – FACTORY-INSTALLED OPTIONS AND FIELD-INSTALLED ACCESSORIES**

CATEGORY	ITEM	FACTORY INSTALLED OPTION	FIELD INSTALLED ACCESSORY
<b>Cabinet</b>	Supply Duct Cover (16 size only)		X
	Thru-the-base electrical connections	X	X
	California Seismic Compliant Labeling	X	
	Hinged Access Panels	X	
<b>Coil Options</b>	Cu/Cu indoor and/or outdoor coils <sup>1, 6</sup>	X	
	Pre-coated outdoor coils <sup>1, 6</sup>	X	
	Premium, E-coated outdoor coils <sup>1, 6</sup>	X	
<b>Humidity Control</b>	Humidi-MiZer Adaptive Dehumidification System <sup>6</sup>	X	
<b>Condenser Protection</b>	Condenser coil hail guard (louvered design) <sup>6</sup>	X	X
<b>Controls</b>	Thermostats, temperature sensors, and subbases		X
	PremierLink DDC communicating controller	X	X
	RTU Open –protocol controller	X	
	Smoke detector (supply and/or return air)	X	
	Time Guard II compressor delay control circuit		X
	Phase Monitor		X
<b>Economizers &amp; Outdoor Air Dampers</b>	EconoMi\$er IV (for electromechanical controlled RTUs) <sup>6</sup>	X	X
	EconoMi\$er2 (for DDC controlled RTUs) <sup>6</sup>	X	X
	Motorized 2 position outdoor –air damper <sup>6</sup>	X	X
	Manual outdoor –air damper (25% and 50%)		X
	Barometric relief <sup>2</sup>	X	X
	Power exhaust		X
	Ultra Low Leak EconoMi\$er X (for 2 –speed SAV system only 08 to 16 sizes with 2 stages of cooling), vertical supply and return air only.	X	X
<b>Economizer Sensors &amp; IAQ Devices</b>	Single dry bulb temperature sensors <sup>3</sup>	X	X
	Differential dry bulb temperature sensors <sup>3</sup>		X
	Single enthalpy sensors <sup>3</sup>	X	X
	Differential enthalpy sensors <sup>3</sup>		X
	CO <sub>2</sub> sensor (wall, duct, or unit mounted) <sup>3</sup>	X	X
<b>Electric Heat</b>	Electric Resistance Heaters		X
	Single Point Kit		X
<b>Indoor Motor &amp; Drive</b>	Multiple motor and drive packages	X	
	Staged Air Vol (SAV) system w/VFD controller (2 –stage cool only with electrical mechanical and RTU Open controls)	X	
	Display Kit for SAV system with VFD		X
<b>Low Ambient Control</b>	Winter start kit <sup>4</sup>		X
	Motormaster® head pressure controller <sup>4</sup>		X
<b>Power Options</b>	Convenience outlet (powered) <sup>6</sup>	X	
	Convenience outlet (unpowered)	X	
	Non –fused disconnect <sup>5</sup>	X	
	Disconnect Switch Bracket (16 size only)		X
<b>Roof Curbs</b>	Roof curb 14 –in (356mm)		X
	Roof curb 24 –in (610mm)		X

**NOTES:**

1. Novation coated coils are only available with E-coat.
2. Included with economizer.
3. Sensors for optimizing economizer.
4. See application data for assistance.
5. Available on units with MOCP's of 80 amps or less.
6. Not available as factory installed option on single phase (208/230/1/60) models. Use field-installed accessory where available.

## FACTORY OPTIONS AND/OR ACCESSORIES

### **Economizer (dry-bulb or enthalpy)**

Economizers save money. They bring in fresh, outside air for ventilation; and provide cool, outside air to cool your building. This is the preferred method of low ambient cooling. When coupled to CO<sub>2</sub> sensors, Economizers can provide even more savings by coupling the ventilation air to only that amount required.

Economizers are available, installed and tested by the factory, with either enthalpy or dry-bulb temperature inputs. There are also models for electromechanical as well as direct digital controllers. Additional sensors are available as accessories to optimize the economizers.

Economizers include gravity controlled, barometric relief which equalizes building pressure and ambient air pressures. This can be a cost effective solution to prevent building pressurization.

### **CO<sub>2</sub> Sensor**

Improves productivity and saves money by working with the economizer to intake only the correct amount of outside air for ventilation. As occupants fill your building, the CO<sub>2</sub> sensor detects their presence through increasing CO<sub>2</sub> levels, and opens the economizer appropriately.

When the occupants leave, the CO<sub>2</sub> levels decrease, and the sensor appropriately closes the economizer. This intelligent control of the ventilation air, called Demand Control Ventilation (DCV) reduces the overall load on the rooftop, saving money.

### **Smoke Detectors**

Trust the experts. Smoke detectors make your application safer and your job easier. Carrier smoke detectors immediately shut down the rooftop unit when smoke is detected. They are available, installed by the factory, for supply air, return air, or both.

### **Louvered Hail Guards**

Sleek, louvered panels protect the condenser coil from hail damage, foreign objects, and incidental contact.

### **Convenience Outlet (powered or un-powered)**

Reduce service and/or installation costs by including a convenience outlet in your specification. Carrier will install this service feature at our factory. Provides a convenient, 15 amp, 115v GFCI receptacle with “Wet in Use” cover. The “powered” option allows the installer to power the outlet from the line side of the disconnect or load side as required by code. The “unpowered” option is to be powered from a separate 115/120v power source.

### **Non-fused Disconnect**

This OSHA-compliant, factory-installed, safety switch allows a service technician to locally secure power to the rooftop.

### **Disconnect Switch Bracket**

Provides a pre-engineered and sized mounting bracket for applications requiring a unit mounted fused and non-fused disconnect of greater than 100 amps. Bracket assures that no damage will occur to coils when mounting with screws and other fasteners (16 size only).

### **Power Exhaust with Barometric Relief**

Superior internal building pressure control. This field-installed accessory may eliminate the need for costly, external pressure control fans.

### **PremierLink**

This CCN controller regulates your rooftop’s performance to tighter tolerances and expanded limits, as well as facilitates zoning systems and digital accessories. It also unites your Carrier HVAC equipment together on one, coherent CCN network. The PremierLink can be factory-installed, or easily field-installed. Not available with 2-speed Staged Air Volume (SAV) System.

### **RTU Open, Multi-protocol Controller**

Connect the rooftop to an existing BAS without needing complicated translators or adapter modules using the RTU Open controller. This new controller speaks the 4 most common building automation system languages (Bacnet, Modbus, N2, and Lonworks). Use this controller when you have an existing BAS.

### **Time Guard II Control Circuit**

This accessory protects your compressor by preventing short-cycling in the event of some other failure, prevents the compressor from restarting for 30 seconds after stopping. Not required with PremierLink, RTU Open, or authorized commercial thermostats.

### **Filter or Fan Status Switches**

Use these differential pressure switches to detect a filter clog or indoor fan motor failure. When used in conjunction with a compatible unit controller/thermostat, the switches will activate an alarm to warn the appropriate personnel.

### **Motorized 2-Position Damper**

The new Carrier 2-position, motorized outdoor air damper admits up to 100% outside air. Using reliable, gear-driven technology, the 2-position damper opens to allow ventilation air and closes when the rooftop stops, stopping unwanted infiltration.

### **Manual OA Damper**

Manual outdoor air dampers are an economical way to bring in ventilation air. The dampers are available in 25% and 50% versions.

## FACTORY OPTIONS AND/OR ACCESSORIES (cont.)

### Optional Humidi-MiZer Adaptive Dehumidification System

Carrier's Humidi-MiZer adaptive dehumidification system is an all-inclusive factory-installed option that can be ordered with any WeatherMaker 50TC-04-16 rooftop unit.

This system expands the envelope of operation of Carrier's WeatherMaker rooftop products to provide unprecedented flexibility to meet year-round comfort conditions.

The Humidi-MiZer adaptive dehumidification system has the industry's only dual dehumidification mode setting. The Humidi-MiZer system includes two new modes of operation.

The WeatherMaker 50TC-04-16 rooftop coupled with the Humidi-MiZer system is capable of operating in normal design cooling mode, subcooling mode, and hot gas reheat mode. Normal design cooling mode is when the unit will operate under its normal sequence of operation by cycling compressors to maintain comfort conditions.

Subcooling mode will operate to satisfy part load type conditions when the space requires combined sensible and a higher proportion of latent load control. Hot Gas Reheat mode will operate when outdoor temperatures diminish and the need for latent capacity is required for sole humidity control. Hot Gas Reheat mode will provide neutral air for maximum dehumidification operation.

### Staged Air Volume (SAV) Indoor Fan Speed System

Carrier's Staged Air Volume (SAV) system saves energy and installation time by utilizing a Variable Frequency Drive (VFD) to automatically adjust the indoor fan motor speed in sequence with the units cooling operation. Per ASHRAE 90.1 2010 standard section 6.4.3.10.b, during the first stage of cooling operation the VFD will adjust the fan motor to provide 2/3rd of the total cfm established for the unit. When a call for the second stage of cooling is required, the VFD will allow the total cfm for the unit established (100%). During the heating mode the VFD will allow total design cfm (100%) operation and during the ventilation mode the VFD will allow operation to 2/3rd of total cfm.

Compared to 1-speed indoor fan motor systems, Carrier's SAV system can save substantial energy, 25%+\*, versus 1-speed indoor fan motor systems.

The VFD used in Carrier's SAV system has soft start capabilities to slowly ramp up the speeds, thus eliminating any high inrush air volume during initial start-up. It also has internal over-current protection for the fan motor and a field installed display kit that allows adjustment and in depth diagnostics of the VFD.

This SAV system is available on models with 2-stage cooling operation with electromechanical or RTU Open, Multi Protocol controls. Both space sensor and

conventional thermostats/controls can be used to provide accurate control in any application.

The SAV system is very flexible for initial fan performance set up and adjustment. The standard factory shipped VFD is pre-programmed to automatically stage the fan speed between the first and second stage of cooling. The unit fan performance static pressure and cfm can be easily adjusted using the traditional means of pulley adjustments. The other means to adjust the unit static and cfm performance is to utilize the field installed Display Kit and adjust the frequency and voltage in the VFD to performance requirements. In either case, once set up, the VFD will automatically adjust the speed between the cooling stage operations.

\*Data based on .10 (\$/kWh) utilizing Carrier's HAP 4.6 simulation software program

### Motormaster Head Pressure Controller

The Motormaster motor controller is a low ambient, head pressure controller kit that is designed to maintain the unit's condenser head pressure during periods of low ambient cooling operation. This device should be used as an alternative to economizer free cooling when economizer usage is either not appropriate or desired. The Motormaster will either cycle the outdoor fan motors or operate them at reduced speed to maintain the unit operation, depending on the model.

### Hinged Access Panels

Allows access to unit's major components with specifically designed hinged access panels. Panels are: filters, control box, fan motor and compressor.

### Winter Start Kit

The winter start kit by Carrier extends the low ambient limit of your rooftop to 25°F (-4°C). The kit bypasses the low pressure switch, preventing nuisance tripping of the low pressure switch. Other low ambient precautions may still be prudent.

### Alternate Motors and Drives

Some applications need larger horsepower motors, some need more airflow, and some need both. Regardless of the case, your Carrier expert has a factory installed combination to meet your application. A wide selection of motors and pulleys (drives) are available, factory installed, to handle nearly any application.

### Thru-the-Base Connections

Thru-the-base connections, available as either an accessory or as a factory option, are necessary to ensure proper connection and seal when routing wire and piping through the rooftop's basepan and curb. These couplings eliminate roof penetration and should be considered for gas lines, main power lines, as well as control power.

## **FACTORY OPTIONS AND/OR ACCESSORIES (cont.)**

### **Electric Heaters**

Carrier offers a full-line of field-installed accessory heaters. The heaters are very easy to use, install and are all pre-engineered and certified.

### **Supply Duct Cover**

This supply duct cover is required when field converting the factory standard vertical duct supply to horizontal duct supply configuration. One required per unit (16 size only).

### **California OSHPD Seismic Certification Label**

Units meet the seismic requirements of the International Code Council Evaluation Service (ICC-ES) document AC156 (Acceptance Criteria for Seismic Qualification by Shake-Table Testing of Nonstructural Components and Systems) and per International Building Code (IBC 2009) at an SDS (g) value of 2.00 z/h=1.0, Ip=1.5 and certified by independent structural engineers. A certification label is applied to the unit that meets the CA OSHPD Special Seismic Certification pre-approval labeling requirements on the external chassis of the unit.



**Table 2 – AHRI COOLING RATING TABLES**

UNIT	COOLING STAGES	NOM. CAPACITY (TONS)	NET COOLING CAPACITY (MBH)	TOTAL POWER (KW)	SEER	EER	IEER
A04	1	3	34.6	3.1	13.00	11.00	N/A
A05	1	4	45.0	4.0	13.00	11.00	N/A
A06	1	5	59.0	5.5	13.00	10.75	N/A
A07	1	6	70.0	6.4	N/A	11.20	11.4
A08	1	7.5	88.0	8.0	N/A	11.20	11.4
A09	1	8.5	97.0	8.8	N/A	11.20	11.4
A12	1	10	117.0	10.6	N/A	11.20	11.4

UNIT	COOLING STAGES	NOM. CAPACITY (TONS)	NET COOLING CAPACITY (MBH)	TOTAL POWER (KW)	EER	IEER WITH 1-SPEED INDOOR FAN MOTOR	IEER WITH 2-SPEED INDOOR FAN MOTOR
D08	2	7.5	83.0	7.4	11.20	11.7	13.0
D09	2	8.5	99.0	8.8	11.20	11.7	13.0
D12	2	10	114.0	10.1	11.30	12.2	13.0
D14	2	12.5	140.0	12.7	11.00	11.2	12.0
D16	2	15	174.0	15.8	11.00	11.5	12.6

**LEGEND**

- AHRI – Air Conditioning, Heating and Refrigeration Institute
- ASHRAE – American Society of Heating, Refrigerating and Air Conditioning, Inc.
- EER – Energy Efficiency Ratio
- IEER – Integrated Energy Efficiency Ratio
- SEER – Seasonal Energy Efficiency Ratio

**NOTES**

1. Rated and certified under AHRI Standard 210/240 or 340/360, as appropriate.
2. Ratings are based on:  
**Cooling Standard:** 80°F (27°C) db, 67°F (19°C) wb indoor air temp and 95°F db outdoor air temp.  
**IEER Standard:** A measure that expresses cooling part-load EER efficiency for commercial unitary air conditioning and heat pump equipment on the basis of weighted operation at various load capacities.
3. All 50TC units comply with ASHRAE 90.1 Energy Standard for minimum SEER and EER requirements.
4. Where appropriate, 50TC units comply with US Energy Policy Act (2005). Refer to state and local codes.



Use of the AHRI Certified TM Mark indicates a manufacturer's participation in the program. For verification of certification for individual products, go to [www.ahridirectory.org](http://www.ahridirectory.org).

**Table 3 – MINIMUM - MAXIMUM AIRFLOWS COOLING AND ELECTRIC HEAT**

UNIT	COOLING				ELECTRIC HEATERS	
	Minimum Single Speed Fan Motor	Minimum 2-speed Fan Motor (at high speed)	Minimum 2-speed Fan Motor (at low speed)	Maximum	Minimum	Maximum
50TC**04	900	–	–	1500	900	1500
50TC**05	1200	–	–	2000	1200	2000
50TC**06	1500	–	–	2500	1500	2500
50TC**07	1800	–	–	3000	1800	3000
50TC**08	2250	2250	1485	3750	2250*	3750
50TC**09	2550	2873	1896	4250	2550*	4250
50TC**12	3000	3380	2231	5000	3000*	5000
50TC**14	3600	4225	2789	6000	3000*	6000
50TC**16	4500	5625	3713	7500	4500	7500

\* Minimum electric heat CFM exceptions :

UNIT	UNIT VOLTAGE	HEATER KW	UNIT CONFIGURATION	REQUIRED MINIMUM CFM
50TC**12 50TC**14	208/230	42.4	Horizontal	3200
50TC**12 50TC**14	208/230	50.0	Horizontal	3200
50TC**12 50TC**14	460	50.0	Horizontal or Vertical	3200
50TC**08	575	17.0	Horizontal or Vertical	2800
50TC**09 50TC**12 50TC**14	575	34.0	Horizontal or Vertical	2350

**Table 4 – SOUND PERFORMANCE TABLE**

UNIT	COOLING STAGES	OUTDOOR SOUND (dB)								
		A-WEIGHTED	63	125	250	500	1000	2000	4000	8000
A04	1	80	90.6	80.9	80.2	76	74.6	71.3	68.5	63.9
A05	1	81	90.9	84.6	79.5	77.9	76.5	71.1	66.9	62.5
A06	1	78	84.0	82.2	76.3	74.8	72.5	68.8	65.6	61.8
A07	1	78	88.8	81.8	76.9	74.4	73.3	69.8	66.3	62.7
A08	1	82	90.1	82.6	81.0	79.4	77.0	73.0	70.4	66.7
D08	2	82	85.8	84.3	80.5	78.7	76.4	72.7	68.3	65.1
A09	1	83	91.2	86.4	81.9	81.0	78.3	73.9	71.4	67.3
D09	2	82	88.6	85.0	81.6	79.5	77.4	74.1	71.0	66.3
A12	1	82	88.6	85.0	81.6	79.5	77.4	74.1	71.0	66.3
D12	2	82	89.0	83.1	80.5	78.5	75.5	71.6	69.6	69.3
D14	2	87	87.0	85.2	84.6	84.9	82.2	78.4	75.3	72.9
D16	2	87	87.0	85.2	84.6	84.9	82.2	78.4	75.3	72.9

**LEGEND**

dB – Decibel



**NOTES:**

1. Outdoor sound data is measure in accordance with AHRI stand-ard 270–2008.
2. Measurements are expressed in terms of sound power. Do not compare these values to sound pressure values because sound pressure accounts for specific environmental factors which do not match individual applications. Sound power values are inde-pendent of the environment and therefore more accurate.
3. A–weighted sound ratings filter out very high and very low frequencies, to better approximate the response of an “aver-age” human ear. A–weighted measurements for Carrier units are taken in accordance with 270–2008.

**Table 5 – PHYSICAL DATA**

**(COOLING)**

**3 - 6 TONS**

		50TC*A04	50TC*A05	50TC*A06	50TC*A07
<b>Refrigeration System</b>					
# Circuits / # Comp. / Type		1 / 1 / Scroll	1 / 1 / Scroll	1 / 1 / Scroll	1 / 1 / Scroll
Puron® refrig. (R-410A) (lbs-oz)		5-10	8-8	10-11	14-2
Humidi-MiZer Puron® refrig. charge A/B (lbs - oz)		8-11	14-13	16-0	22-5
Metering Device		Acutrol	Acutrol	Acutrol	Acutrol
High-press. Trip / Reset (psig)		630 / 505	630 / 505	630 / 505	630 / 505
Low-press. Trip / Reset (psig)		54 / 117	54 / 117	54 / 117	54 / 117
Compressor Capacity Staging (%)		100%	100%	100%	100%
<b>Evap. Coil</b>					
Material (Tube/Fin)		Cu / Al	Cu / Al	Cu / Al	Cu / Al
Coil type		3/8-in RTPF	3/8-in RTPF	3/8-in RTPF	3/8-in RTPF
Rows / FPI		2 / 15	2 / 15	4 / 15	4 / 15
Total Face Area (ft <sup>2</sup> )		5.5	5.5	5.5	7.3
Condensate Drain Conn. Size		3/4-in	3/4-in	3/4-in	3/4-in
<b>Evap. Fan and Motor</b>					
Standard Static 1 phase	Motor Qty / Drive Type	1 / Belt	1 / Belt	1 / Belt	-
	Max BHP	1.2	1.2	1.2	-
	RPM Range	560-854	560-854	770-1175	-
	Motor Frame Size	48	48	48	-
	Fan Qty / Type	1 / Centrifugal	1 / Centrifugal	1 / Centrifugal	-
	Fan Diameter (in)	10 x 10	10 x 10	10 x 10	-
Medium Static 1 phase	Motor Qty / Drive Type	1 / Belt	1 / Belt	1 / Belt	-
	Max BHP	1.2	1.2	1.5	-
	RPM Range	770-1175	770-1175	1035-1466	-
	Motor Frame Size	48	48	56	-
	Fan Qty / Type	1 / Centrifugal	1 / Centrifugal	1 / Centrifugal	-
	Fan Diameter (in)	10 x 10	10 x 10	10 x 10	-
Standard Static 3 phase	Motor Qty / Drive Type	1 / Belt	1 / Belt	1 / Belt	1 / Belt
	Max BHP	1.2	1.2	1.5	2.4
	RPM Range	560-854	560-854	770-1175	1073-1457
	Motor Frame Size	48	48	48	56
	Fan Qty / Type	1 / Centrifugal	1 / Centrifugal	1 / Centrifugal	1 / Centrifugal
	Fan Diameter (in)	10 x 10	10 x 10	10 x 10	10 x 10
Medium Static 3 phase	Motor Qty / Drive Type	1 / Belt	1 / Belt	1 / Belt	1 / Belt
	Max BHP	1.2	1.2	2.4	2.9*
	RPM Range	770-1175	770-1175	1035-1466	1173-1518
	Motor Frame Size	48	48	56	56
	Fan Qty / Type	1 / Centrifugal	1 / Centrifugal	1 / Centrifugal	1 / Centrifugal
	Fan Diameter (in)	10 x 10	10 x 10	10 x 10	10 x 10
High Static 3 phase	Motor Qty / Drive Type	1 / Belt	1 / Belt	1 / Belt	1 / Belt
	Max BHP	2.4	2.4	2.9	3.7
	RPM Range	1035-1466	1035-1466	1303-1687	1474-1788
	Motor Frame Size	56	56	56	56
	Fan Qty / Type	1 / Centrifugal	1 / Centrifugal	1 / Centrifugal	1 / Centrifugal
	Fan Diameter (in)	10 x 10	10 x 10	10 x 10	10 x 10
<b>Cond. Coil</b>					
Material (Tube/Fin)		Cu / Al	Cu / Al	Cu / Al	Cu / Al
Coil type		3/8-in RTPF	3/8-in RTPF	3/8-in RTPF	3/8-in RTPF
Rows / FPI		1 / 17	2 / 17	2 / 17	2 / 17
Total Face Area (ft <sup>2</sup> )		14.6	16.5	16.5	21.3
<b>Humidi-MiZer Coil</b>					
Material (Tube/Fin)		Cu / Al	Cu / Al	Cu / Al	Cu / Al
Rows..Fins/in.		1 / 17	2 / 17	2 / 17	2 / 17
Total Face Area (ft <sup>2</sup> )		3.9	3.9	3.9	5.2
<b>Cond. fan / motor</b>					
Qty / Motor Drive Type		1/ Direct	1/ Direct	1/ Direct	1/ Direct
Motor HP / RPM		1/4 / 1100	1/4 / 1100	1/4 / 1100	1/4 / 1100
Fan diameter (in)		22	22	22	22
<b>Filters</b>					
RA Filter # / Size (in)		2 / 16 x 25 x 2	2 / 16 x 25 x 2	2 / 16 x 25 x 2	4 / 16 x 16 x 2
OA inlet screen # / Size (in)		1 / 20 x 24 x 1	1 / 20 x 24 x 1	1 / 20 x 24 x 1	1 / 20 x 24 x 1

**NOTE:** Humidi-MiZer is not available with Novation condenser coil models, only Round Tube / Plate Fin (RTPF).

\* 575V motor utilizes 3.7 BHP.

**Table 5 - PHYSICAL DATA (cont.)**

**(COOLING)**

**7.5 - 8.5 TONS**

		50TC*A08	50TC*D08	50TC*A09	50TC*D09
<b>Refrigeration System</b>					
# Circuits / # Comp. / Type		1 / 1 / Scroll	2 / 2 / Scroll	1 / 1 / Scroll	2 / 2 / Scroll
RTPF models R-410a charge A/B (lbs - oz)		13 - 12	8 - 5 / 8 - 2	15 - 4	10 - 5 / 10 - 12
Alternate (MCHX) R-410a charge A/B (lbs - oz)			4 - 6 / 4 - 6		
Alternate (Humidi-MiZer) R-410a charge A/B (lbs - oz)			13 - 3 / 13 - 3		16 - 13 / 16 - 13
Metering device		Acutrol	Acutrol	Acutrol	Acutrol
High - press. Trip / Reset (psig)		630 / 505	630 / 505	630 / 505	630 / 505
Low - press. Trip / Reset (psig)		54 / 117	54 / 117	54 / 117	54 / 117
Compressor Capacity Staging (%)		100%	50% / 100%	100%	50% / 100%
<b>Evap. Coil</b>					
Material		Cu / Al	Cu / Al	Cu / Al	Cu / Al
Coil type		3/8-in RTPF	3/8-in RTPF	3/8-in RTPF	3/8-in RTPF
Rows / FPI		3 / 15	3 / 15	3 / 15	3 / 15
Total face area (ft <sup>2</sup> )		8.9	8.9	11.1	11.1
Condensate drain conn. size		3/4-in	3/4-in	3/4-in	3/4-in
<b>Humidi-MiZer Coil</b>					
Material		-	Cu / Al	-	Cu / Al
Coil type		-	3/8-in RTPF	-	3/8-in RTPF
Rows / FPI		-	2 / 17	-	2 / 17
Total face area (ft <sup>2</sup> )		-	6.3	-	8.4
<b>Evap. fan and motor</b>					
Standard Static 3 phase	Motor Qty / Drive Type	1 / Belt	1 / Belt	1 / Belt	1 / Belt
	Max BHP	1.7	1.7	1.7	1.7
	RPM range	489-747	489-747	518-733	518-733
	Motor frame size	56	56	56	56
	Fan Qty / Type	1 / Centrifugal	1 / Centrifugal	1 / Centrifugal	1 / Centrifugal
	Fan Diameter (in)	15 x 15	15 x 15	15 x 15	15 x 15
Medium Static 3 phase	Motor Qty / Drive type	1 / Belt	1 / Belt	1 / Belt	1 / Belt
	Max BHP	2.9	2.9	2.4	2.4
	RPM range	733-949	733-949	690-936	690-936
	Motor frame size	56	56	56	56
	Fan Qty / Type	1 / Centrifugal	1 / Centrifugal	1 / Centrifugal	1 / Centrifugal
	Fan Diameter (in)	15 x 15	15 x 15	15 x 15	15 x 15
High Static 3 phase	Motor Qty / Drive type	1 / Belt	1 / Belt	1 / Belt	1 / Belt
	Max BHP	4.7	4.7	3.7	3.7
	RPM range	909-1102	909-1102	838-1084	838-1084
	Motor frame size	14	14	56	56
	Fan Qty / Type	1 / Centrifugal	1 / Centrifugal	1 / Centrifugal	1 / Centrifugal
	Fan Diameter (in)	15 x 15	15 x 15	15 x 15	15 x 15
<b>Cond. Coil</b>					
Material		Cu / Al	Cu / Al	Cu / Al	Cu / Al
Coil type		3/8-in RTPF	3/8-in RTPF	3/8-in RTPF	3/8-in RTPF
Rows / FPI		2 / 17	2 / 17	2 / 17	2 / 17
Total face area (ft <sup>2</sup> )		20.5	20.5	21.4	25.1
<b>Alternate (MCHX) Cond. Coil</b>					
Material		-	Al / Al	-	-
Coil type		-	Novation™	-	-
Rows / FPI		-	1 / 20	-	-
Total face area (ft <sup>2</sup> )		-	20.5	-	-
<b>Cond. fan / motor</b>					
Qty / Motor drive type		2 / direct	2 / direct	2 / direct	2 / direct
Motor HP / RPM		1/4 / 1100	1/4 / 1100	1/4 / 1100	1/4 / 1100
Fan diameter (in)		22	22	22	22
<b>Filters</b>					
RA Filter # / Size (in)		4 / 16 x 20 x 2	4 / 16 x 20 x 2	4 / 16 x 20 x 2	4 / 16 x 20 x 2
OA inlet screen # / Size (in)		1 / 20 x 24 x 1	1 / 20 x 24 x 1	1 / 20 x 24 x 1	1 / 20 x 24 x 1

**NOTE:** Humidi-MiZer is not available with Novation condenser coil models, only Round Tube/Plate Fin (RTPF).

**Table 5 - PHYSICAL DATA (cont.)**

**(COOLING)**

**10 - 15 TONS**

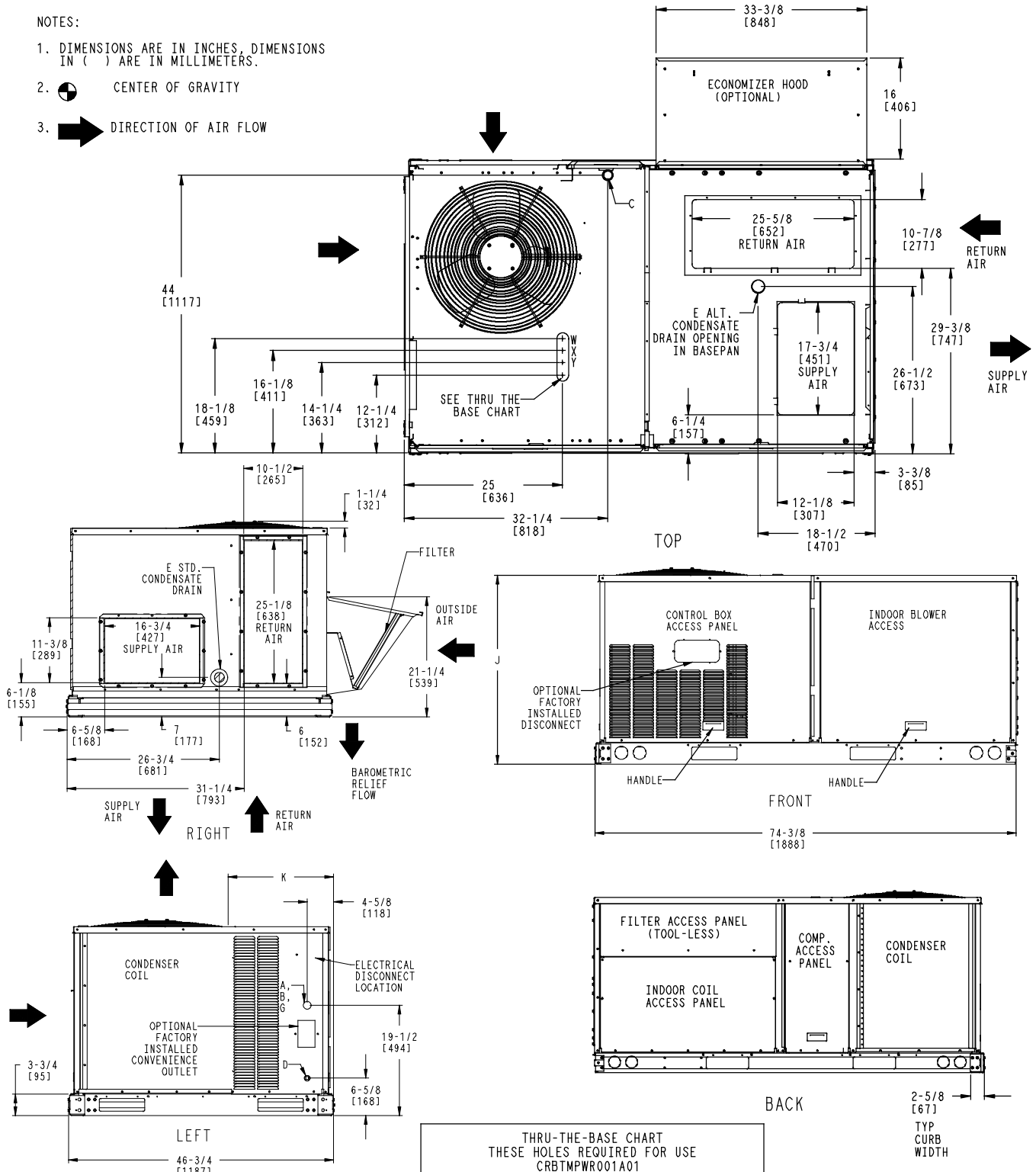
		50TC*A12	50TC*D12	50TC*D14	50TC*D16
<b>Refrigeration System</b>					
# Circuits / # Comp. / Type		1 / 1 / Scroll	2 / 2 / Scroll	2 / 2 / Scroll	2 / 2 / Scroll
RTPF models R-410a charge A/B (lbs - oz)		20 - 0	10 - 5 / 10 - 3	11 - 0 / 11 - 6	15 - 14/16 - 12
Alternate (MCHX) R-410a charge A/B (lbs - oz)		-	6 - 0 / 6 - 0	7 - 6 / 8 - 0	-
Alternate (Humidi-MiZer) R-410a charge A/B (lbs - oz)		-	16 - 10 / 16 - 0	17 - 10 / 18 - 3	-
Metering device		Acutrol	Acutrol	Acutrol	Acutrol
High - press. Trip / Reset (psig)		630 / 505	630 / 505	630 / 505	630 / 505
Low - press. Trip / Reset (psig)		54 / 117	54 / 117	54 / 117	54 / 117
Compressor Capacity Staging (%)		100%	50% / 100%	50% / 100%	50% / 100%
<b>Evap. Coil</b>					
Material		Cu / Al	Cu / Al	Cu / Al	Cu / Al
Coil type		3/8-in RTPF	3/8-in RTPF	3/8-in RTPF	3/8-in RTPF
Rows / FPI		4 / 15	4 / 15	4 / 15	3 / 15
Total face area (ft <sup>2</sup> )		11.1	11.1	11.1	17.5
Condensate drain conn. size		3/4-in	3/4-in	3/4-in	3/4-in
<b>Humidi-MiZer Coil</b>					
Material		-	Cu / Al	Cu / Al	Cu / Al
Coil type		-	3/8-in RTPF	3/8-in RTPF	3/8-in RTPF
Rows / FPI		-	2 / 17	2 / 17	1 / 17
Total face area (ft <sup>2</sup> )		-	8.4	8.4	13.8
<b>Evap. fan and motor</b>					
Standard Static 3 phase	Motor Qty / Drive type	1 / Belt	1 / Belt	1 / Belt	1 / Belt
	Max BHP	2.4	2.4	2.9	2.9
	RPM range	591-838	591-838	652-843	507-676
	Motor frame size	56	56	56	56
	Fan Qty / Type	1 / Centrifugal	1 / Centrifugal	1 / Centrifugal	1 / Centrifugal
	Fan Diameter (in)	15 x 15	15 x 15	15 x 15	18 x 18
Medium Static 3 phase	Motor Qty / Drive type	1 / Belt	1 / Belt	1 / Belt	1 / Belt
	Max BHP	3.7	3.7	3.7	3.7
	RPM range	838-1084	838-1084	838-1084	627-851
	Motor frame size	56	56	56	56
	Fan Qty / Type	1 / Centrifugal	1 / Centrifugal	1 / Centrifugal	1 / Centrifugal
	Fan Diameter (in)	15 x 15	15 x 15	15 x 15	18 x 18
High Static 3 phase	Motor Qty / Drive type	1 / Belt	1 / Belt	1 / Belt	1 / Belt
	Max BHP	4.7	4.7	4.7	6.1
	RPM range	1022-1240	1022-1240	1022-1240	776-955
	Motor frame size	14	14	14	S184T
	Fan Qty / Type	1 / Centrifugal	1 / Centrifugal	1 / Centrifugal	1 / Centrifugal
	Fan Diameter (in)	15 x 15	15 x 15	15 x 15	18 x 18
<b>Cond. Coil</b>					
Material		Cu / Al	Cu / Al	Cu / Al	Cu / Al
Coil type		3/8-in RTPF	3/8-in RTPF	3/8-in RTPF	3/8-in RTPF
Rows / FPI		2 / 17	2 / 17	3 / 17	2/17
Total face area (ft <sup>2</sup> )		25.1	25.1	25.1	2 @ 23.1
<b>Alternate (MCHX) Cond. Coil</b>					
Material		-	Al / Al	Al / Al	-
Coil type		-	Novation™	Novation™	-
Rows / FPI		-	1 / 20	2 / 20	-
Total face area (ft <sup>2</sup> )		-	25.1	25.1	-
<b>Cond. fan / motor</b>					
Qty / Motor drive type		2 / direct	2 / direct	1 / direct	3 / direct
Motor HP / RPM		1/4 / 1100	1/4 / 1100	1 / 1175	1/4 / 1100
Fan diameter (in)		22	22	30	22
<b>Filters</b>					
RA Filter # / Size (in)		4 / 20 x 20 x 2	4 / 20 x 20 x 2	4 / 20 x 20 x 2	6 / 18 x 24 x 2 2 / 24 x 27 x 1 (vert.)
OA inlet screen # / Size (in)		1 / 20 x 24 x 1	1 / 20 x 24 x 1	1 / 20 x 24 x 1	1 / 30 x 39 x 1 (horiz)

**NOTE:** Humidi-MiZer is not available with Novation condenser coil models, only Round Tube/Plate Fin (RTPF) up to 16 size.

# CURBS, WEIGHTS & DIMENSIONS

**NOTES:**

1. DIMENSIONS ARE IN INCHES, DIMENSIONS IN ( ) ARE IN MILLIMETERS.
2. CENTER OF GRAVITY
3. DIRECTION OF AIR FLOW



THRU-THE-BASE CHART THESE HOLES REQUIRED FOR USE CRBTMPWR001A01			
	THREADED CONDUIT SIZE	WIRE USE	REQ'D HOLE SIZES (MAX.)
	1/2"	ACC.	7/8" (22.2)
	1/2"	24V	7/8" (22.2)
	3/4" (001)	POWER	1 1/8" (28.4)
	FOR "THRU-THE-BASEPAN" FACTORY OPTION, FITTINGS FOR ONLY X & Y ARE PROVIDED		
*	SELECT EITHER 3/4" OR 1/2" FOR POWER, DEPENDING ON WIRE SIZE		

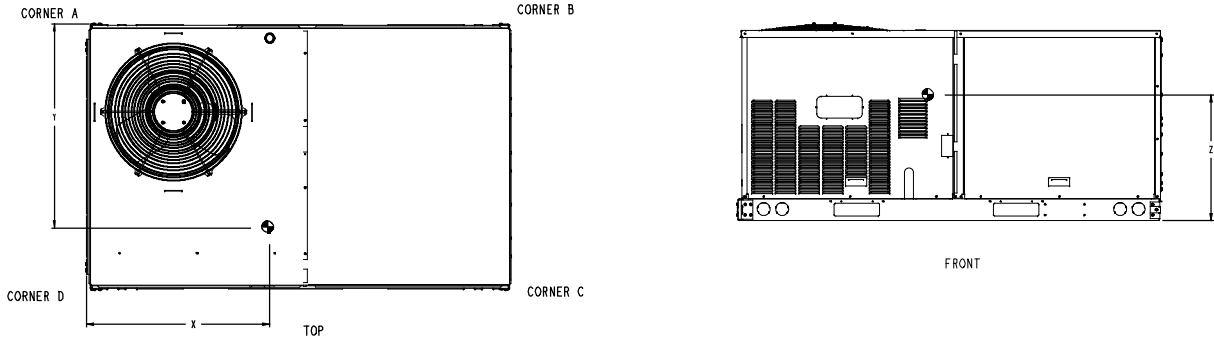
CONNECTION SIZES	
A	1 3/8" DIA [35] FIELD POWER SUPPLY HOLE
B	2" DIA [51] POWER SUPPLY KNOCKOUT
C	1 3/4" DIA [44] GAUGE ACCESS PLUG
D	7/8" DIA [22] FIELD CONTROL WIRING HOLE
E	3/4"-14 NPT CONDENSATE DRAIN
G	2 1/2" DIA [64] POWER SUPPLY KNOCK-OUT

UNIT	J	K
50TC-A04	33 3/8 [847]	18 5/8 [472]
50TC-A05	33 3/8 [847]	14 7/8 [377]
50TC-A06	33 3/8 [847]	14 7/8 [377]
50TC-A07	41 3/8 [1051]	14 7/8 [377]

**Fig. 1 - Dimensions 50TC 04-07**

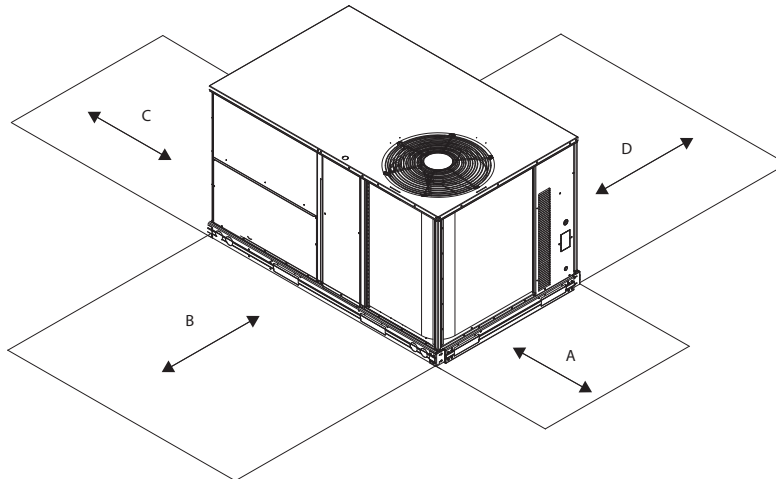
## CURBS, WEIGHTS & DIMENSIONS (cont.)

UNIT	STD. UNIT WEIGHT		CORNER WEIGHT (A)		CORNER WEIGHT (B)		CORNER WEIGHT (C)		CORNER WEIGHT (D)		C.G.		HEIGHT
	LBS.	KG.	LBS.	KG.	LBS.	KG.	LBS.	KG.	LBS.	KG.	X	Y	Z
50TC-A04	438	199	108	49	115	52	110	50	104	47	38 [965]	22 [559]	17 1/4 [438]
50TC-A05	494	224	122	55	130	59	125	57	117	53	38 [965]	22 [559]	17 1/2 [445]
50TC-A06	524	238	130	59	138	63	132	60	124	56	38 [965]	22 [559]	17 3/4 [451]
50TC-A07	607	275	150	68	160	73	153	69	144	65	38 [965]	22 [559]	20 3/4 [527]



**Fig. 2 - Dimensions 50TC 04-07**

C08530



**Fig. 3 - Service Clearance**

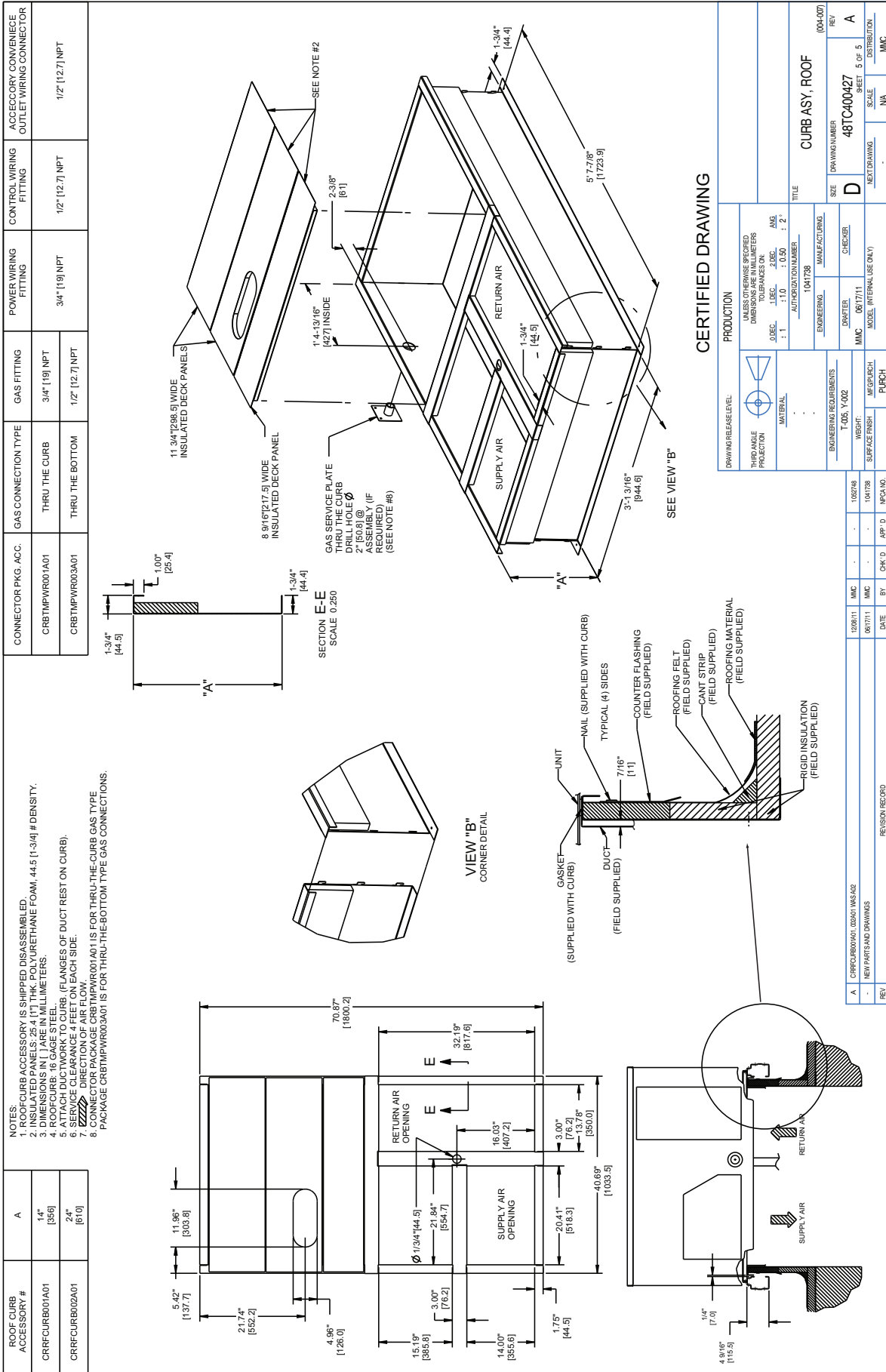
C08337

LOC	DIMENSION	CONDITION
A	48-in (1219 mm)	Unit disconnect is mounted on panel
	18-in (457 mm)	No disconnect, convenience outlet option
	18-in (457 mm)	Recommended service clearance
	12-in (305 mm)	Minimum clearance
B	42-in (1067 mm)	Surface behind servicer is grounded (e.g., metal, masonry wall)
	36-in (914 mm)	Surface behind servicer is electrically non-conductive (e.g., wood, fiberglass)
	Special	Check for sources of flue products within 10-ft of unit fresh air intake hood
C	36-in (914 mm)	Side condensate drain is used
	18-in (457 mm)	Minimum clearance
D	42-in (1067 mm)	Surface behind servicer is grounded (e.g., metal, masonry wall, another unit)
	36-in (914 mm)	Surface behind servicer is electrically non-conductive (e.g., wood, fiberglass)

**NOTE:** Unit not designed to have overhead obstruction. Contact Application Engineering for guidance on any application planning overhead obstruction or vertical clearances.

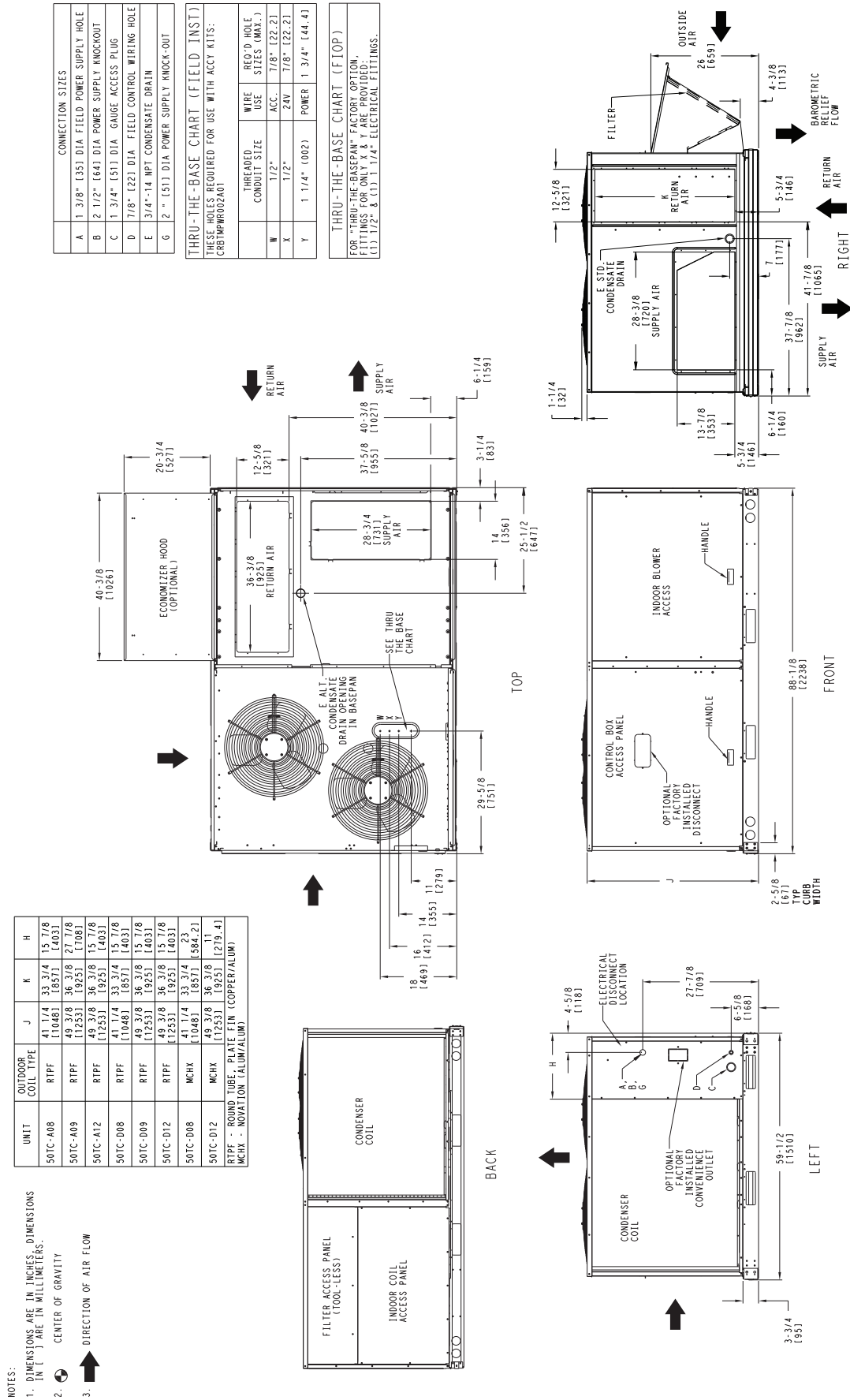


## CURBS, WEIGHTS & DIMENSIONS (cont.)



**Fig. 4 - Roof Curb Details 50TC 04-07**

# CURBS, WEIGHTS & DIMENSIONS (cont.)

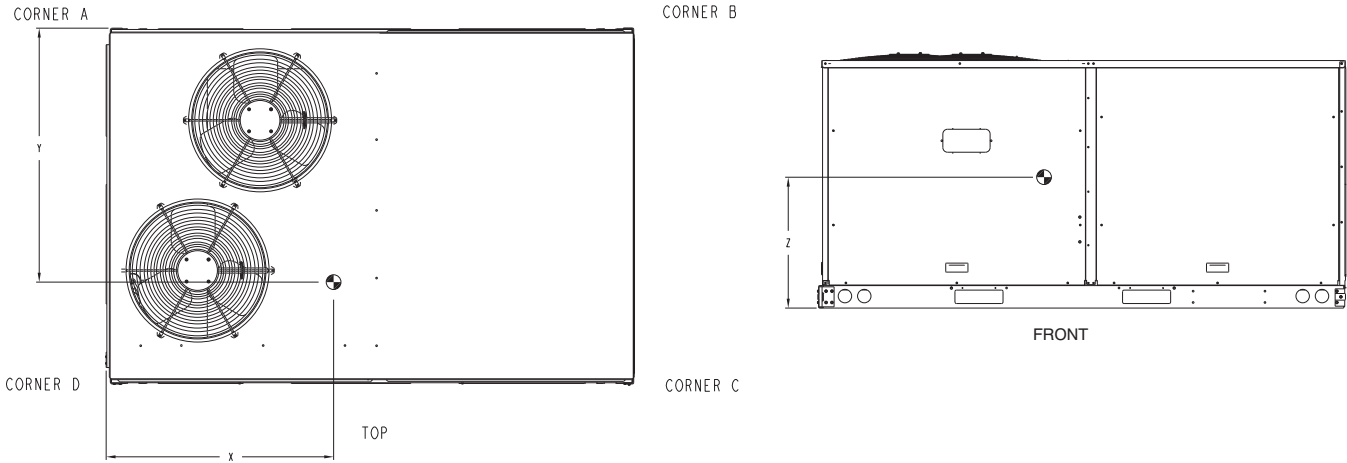


**Fig. 5 - Dimensions 50TC 08-12**

## CURBS, WEIGHTS & DIMENSIONS (cont.)

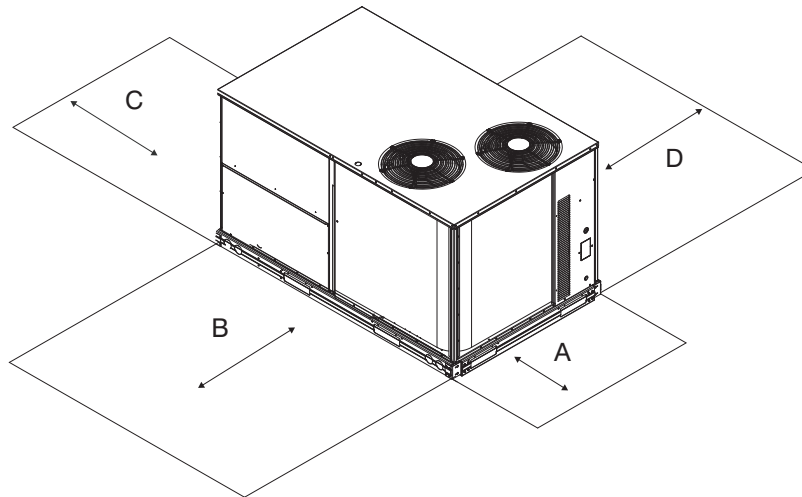
UNIT	OUTDOOR COIL TYPE	STD. UNIT WEIGHT ***		CORNER WEIGHT (A)		CORNER WEIGHT (B)		CORNER WEIGHT (C)		CORNER WEIGHT (D)		C.G.		
		LBS.	KG.	LBS.	KG.	LBS.	KG.	LBS.	KG.	LBS.	KG.	X	Y	Z
50TC-A08	RTPF	705	320	172	78	142	64.5	177	80.4	214	97.2	39 7/8 [1013]	33 [838]	21 1/4 [540]
50TC-A09	RTPF	845	383.6	206	93.5	167	76	212	96.2	261	118.5	39 1/2 [1003]	33 1/4 [845]	24 [610]
50TC-A12	RTPF	855	388	210	95.3	180	81.7	215	97.6	250	113.5	40 3/4 [1035]	32 3/8 [822]	25 1/4 [641]
50TC-D08	RTPF	760	345	158	71.7	155	70.4	222	100.8	225	102.2	43 3/4 [1111.3]	35 [889]	20 [508]
50TC-D09	RTPF	855	388.2	223	101.2	171	77.6	200	90.8	261	118.5	38 3/8 [975]	32 1/8 [816]	19 1/8 [486]
50TC-D12	RTPF	865	392.7	225	102.2	173	78.5	203	92.2	264	120	38 3/8 [975]	32 1/8 [816]	19 1/8 [486]
50TC-D08	MCHX	730	331.4	153	69.5	138	62.7	208	94.4	231	104.9	41 3/4 [1060.5]	35 3/4 [908]	21 1/8 [536.6]
50TC-D12	MCHX	820	372.3	179	81.3	161	73.1	228	103.5	253	114.9	41 3/4 [1060.5]	34 7/8 [885.8]	23 3/4 [603.3]

RTPF - ROUND TUBE, PLATE FIN (COPPER/ALUM)  
MCHX - NOVAION (ALUM/ALUM)



**Fig. 6 - Dimensions 50TC 08-12**

C101206



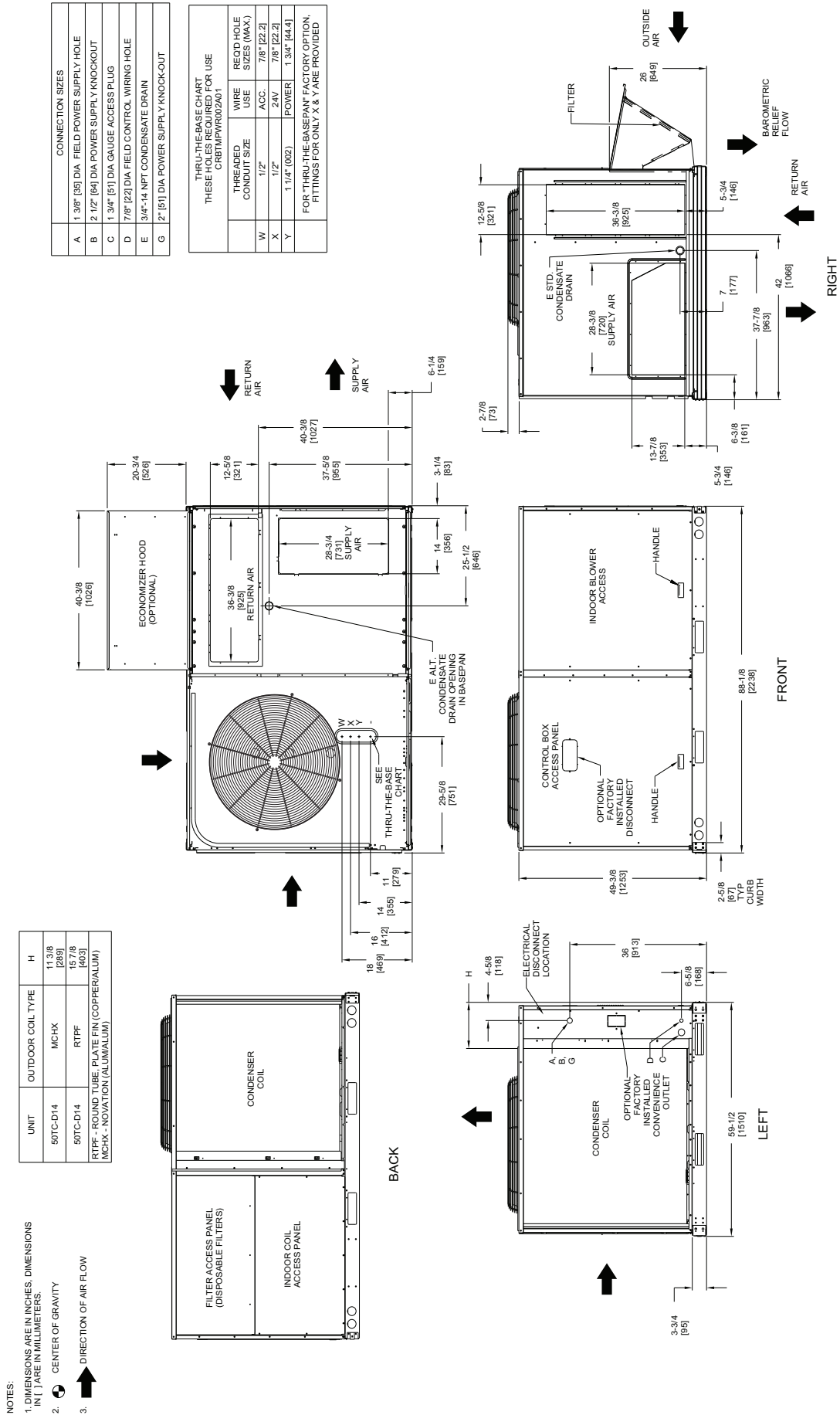
**Fig. 7 - Service Clearance**

C11247

LOC	DIMENSION	CONDITION
A	48-in (1219 mm)	Unit disconnect is mounted on panel
	36-in (914 mm)	If dimension - B is 12-in (305 mm)
	18-in (457 mm)	No disconnect, convenience outlet option
	18-in (457 mm)	Recommended service clearance (use electric screwdriver)
	12-in (305 mm)	Minimum clearance (use manual ratchet screwdriver)
B	36-in (914 mm)	Unit has economizer
	12-in (305 mm)	If dimension - A is 36-in (914 mm)
	Special	Check for sources of flue products within 10-ft of unit fresh air intake hood
C	36-in (914 mm)	Side condensate drain is used
	18-in (457 mm)	Minimum clearance
D	42-in (1067 mm)	Surface behind servicer is grounded (e.g., metal, masonry wall, another unit)
	36-in (914 mm)	Surface behind servicer is electrically non-conductive (e.g., wood, fiberglass)

**NOTE:** Unit not designed to have overhead obstruction. Contact Application Engineering for guidance on any application planning overhead obstruction or vertical clearances.

# CURBS, WEIGHTS & DIMENSIONS (cont.)



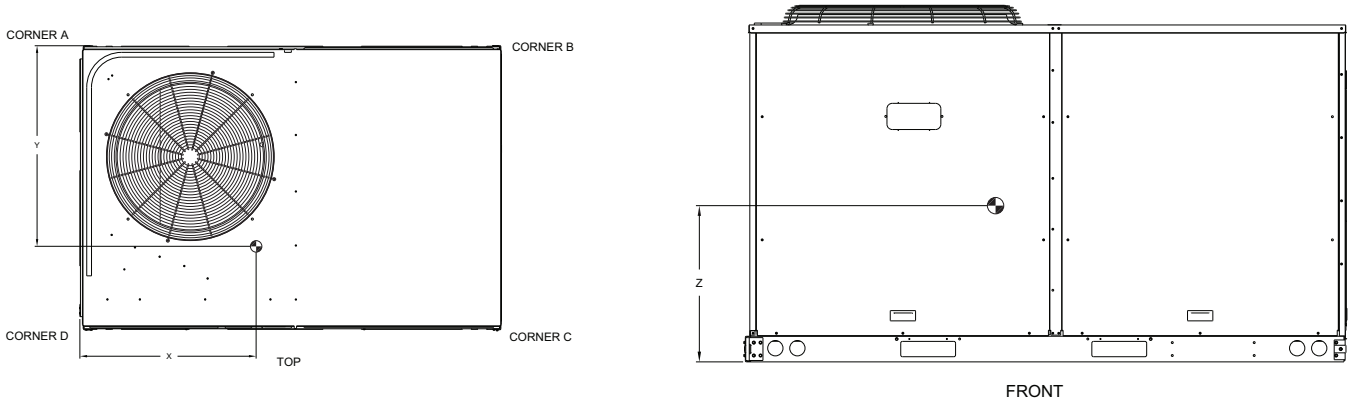
**Fig. 8 - Dimensions 50TC-14**

## CURBS, WEIGHTS & DIMENSIONS (cont.)

UNIT	OUTDOOR COIL TYPE	STD. UNIT WEIGHT***		CORNER WEIGHT (A)		CORNER WEIGHT (B)		CORNER WEIGHT (C)		CORNER WEIGHT (D)		C.G.		
		LBS.	KG.	LBS.	KG.	LBS.	KG.	LBS.	KG.	LBS.	KG.	X	Y	Z
50TC-D14	MCHX	1030	467	294	133	146	66	197	89	395	179	28 3/8 [721]	33 1/8 [841]	21 3/8 [543]
50TC-D14	RTPF	1075	489	340	155	155	70	181	82	399	181	27 1/2 [699]	32 [813]	20 1/2 [523]

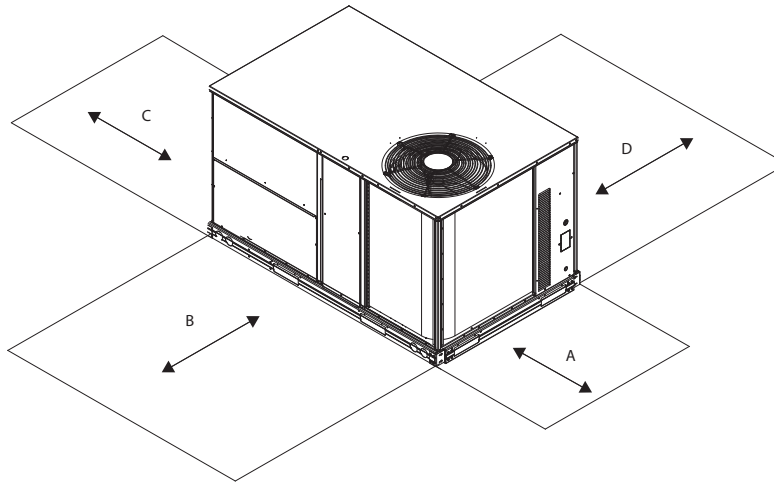
RTPF - ROUND TUBE, PLATE FIN (COPPER/ALUM)  
MCHX - MICROCHANNEL (ALUM/ALUM)

\*\*\* STANDARD UNIT WEIGHT IS WITHOUT ELECTRIC HEAT AND WITHOUT PACKAGING.  
FOR OTHER OPTIONS AND ACCESSORIES, REFER TO THE PRODUCT DATA CATALOG.



**Fig. 9 - Dimensions 50TC-14**

C101208



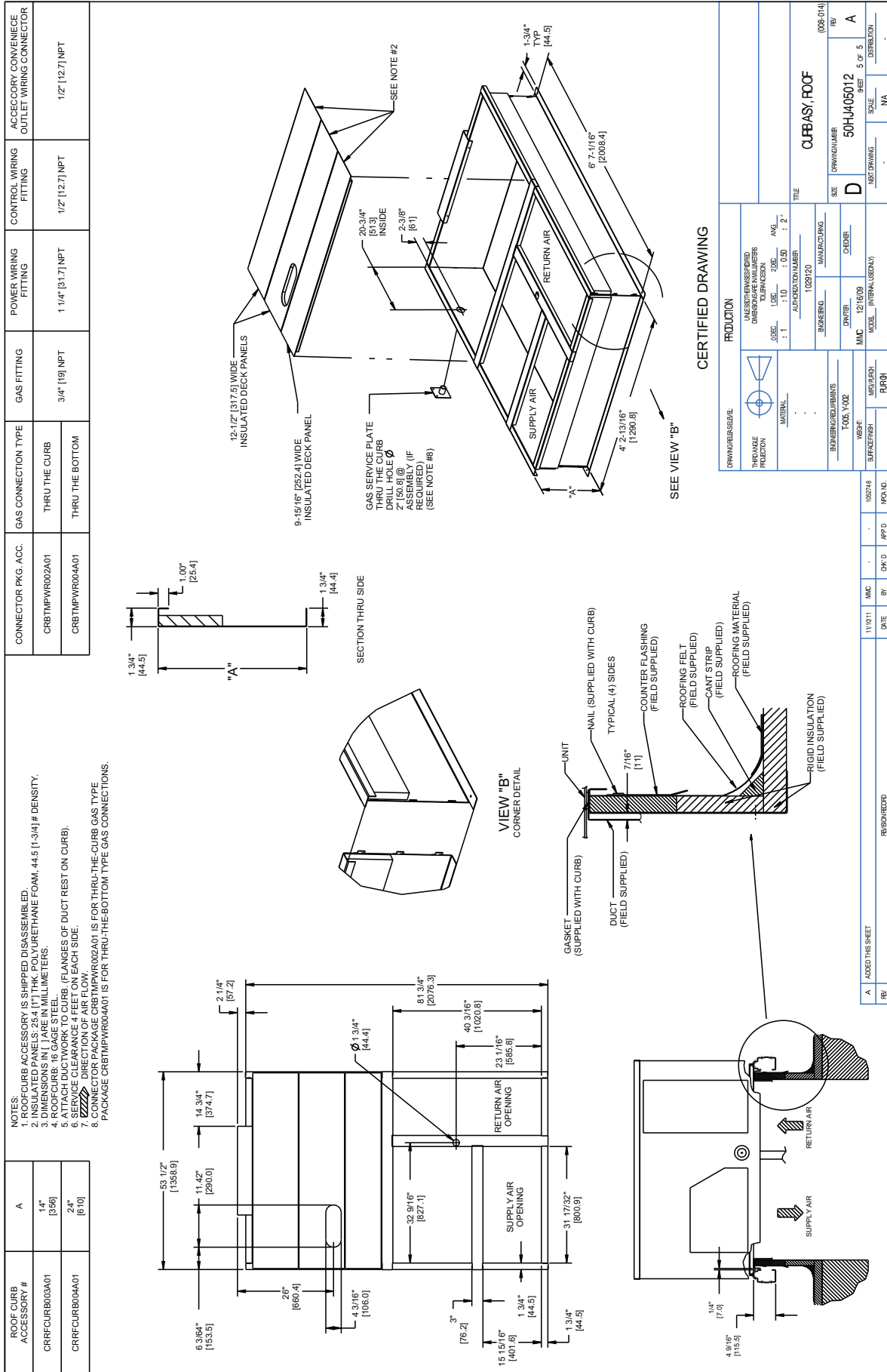
**Fig. 10 - Service Clearance**

C08337

LOC	DIMENSION	CONDITION
A	48-in (1219 mm)	Unit disconnect is mounted on panel
	18-in (457 mm)	No disconnect, convenience outlet option
	18-in (457 mm)	Recommended service clearance
	12-in (305 mm)	Minimum clearance
B	42-in (1067 mm)	Surface behind servicer is grounded (e.g., metal, masonry wall)
	36-in (914 mm)	Surface behind servicer is electrically non-conductive (e.g., wood, fiberglass)
	Special	Check for sources of flue products within 10-ft of unit fresh air intake hood
C	36-in (914 mm)	Side condensate drain is used
	18-in (457 mm)	Minimum clearance
D	42-in (1067 mm)	Surface behind servicer is grounded (e.g., metal, masonry wall, another unit)
	36-in (914 mm)	Surface behind servicer is electrically non-conductive (e.g., wood, fiberglass)

**NOTE:** Unit not designed to have overhead obstruction. Contact Application Engineering for guidance on any application planning overhead obstruction or vertical clearances.

# CURBS, WEIGHTS & DIMENSIONS (cont.)



DRAWING REVISION		PRODUCTION		UNLESS OTHERWISE SPECIFIED DIMENSIONS ARE MILLIMETERS		TITLE	
THRU THE CURB	1.0	DATE	12/18/08	SCALE	5 OF 5	DESCRIPTION	ROOF CURB
THRU THE BOTTOM	1.1	MANUFACTURING	1029120	SIZE	D	DRAWING NUMBER	50TC-08-14
		MANUFACTURING		SCALE	5 OF 5	REVISION	
		MANUFACTURING		SCALE	5 OF 5	REVISION	

DRAWING REVISION		PRODUCTION		UNLESS OTHERWISE SPECIFIED DIMENSIONS ARE MILLIMETERS		TITLE	
THRU THE CURB	1.0	DATE	12/18/08	SCALE	5 OF 5	DESCRIPTION	ROOF CURB
THRU THE BOTTOM	1.1	MANUFACTURING	1029120	SIZE	D	DRAWING NUMBER	50TC-08-14
		MANUFACTURING		SCALE	5 OF 5	REVISION	
		MANUFACTURING		SCALE	5 OF 5	REVISION	

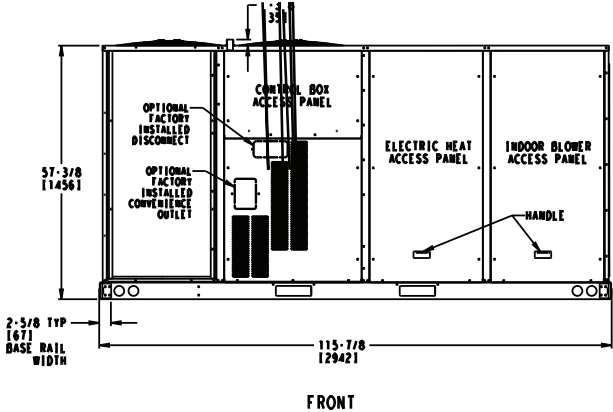
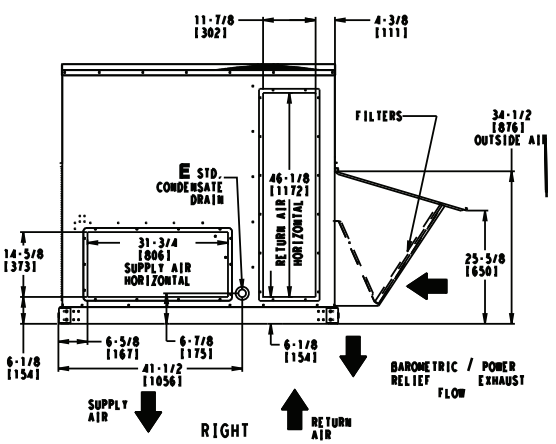
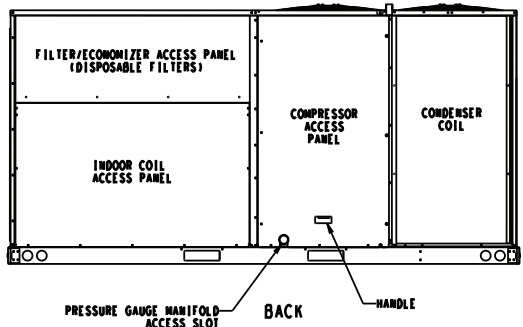
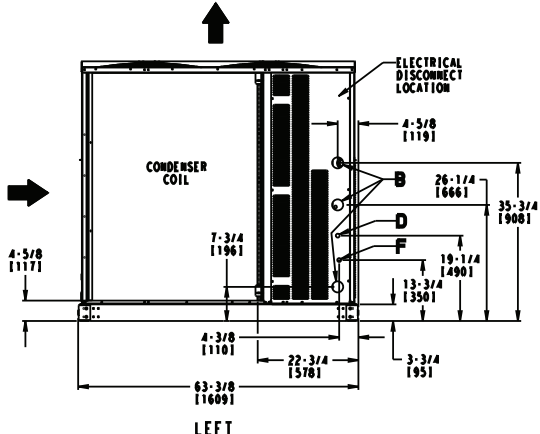
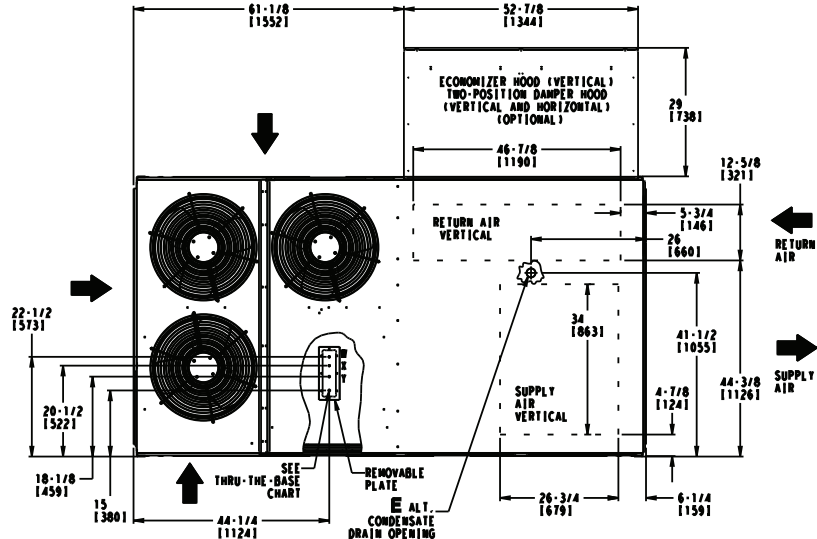
DRAWING REVISION		PRODUCTION		UNLESS OTHERWISE SPECIFIED DIMENSIONS ARE MILLIMETERS		TITLE	
THRU THE CURB	1.0	DATE	12/18/08	SCALE	5 OF 5	DESCRIPTION	ROOF CURB
THRU THE BOTTOM	1.1	MANUFACTURING	1029120	SIZE	D	DRAWING NUMBER	50TC-08-14
		MANUFACTURING		SCALE	5 OF 5	REVISION	
		MANUFACTURING		SCALE	5 OF 5	REVISION	

**Fig. 11 - Roof Curb Details 50TC 08-14**

# CURBS, WEIGHTS & DIMENSIONS (cont.)

**NOTES:**

1. DIMENSIONS ARE IN INCHES. DIMENSIONS IN [ ] ARE IN MILLIMETERS.
2. CENTER OF GRAVITY
3. DIRECTION OF AIR FLOW



CONNECTION SIZES	
B	2 1/2" [64] DIA POWER SUPPLY HOLE
D	7/8" [22] DIA FIELD CONTROL WIRING HOLE
E	3/4"-14 NPT CONDENSATE DRAIN
F	7/8" [22] DIA FIELD CONVENIENCE OUTLET HOLE

THRU-THE-BASE CHART THESE HOLES REQUIRED FOR USE CRBTMPW005A00, 006A00, 007A00			
ACCESSORY NO.	THREADED CONDUIT SIZE	WIRE USE	REQ'D HOLE SIZES (MAX.)
005	W	1/2"	ACC. 7/8" [22.2]
	X	1/2"	24V 7/8" [22.2]
	Y	1 1/4"	POWER 1 1/2" [38.1]
006	W	1/2"	ACC. 7/8" [22.2]
	X	1/2"	24V 7/8" [22.2]
	Y	1 1/2"	POWER 2" [50.8]
007	W	1/2"	ACC. 7/8" [22.2]
	X	1/2"	24V 7/8" [22.2]
	Y	2"	POWER 2 1/2" [63.5]
FOR "THRU-THE-BASEPAN" FACTORY OPTION, FITTINGS FOR X & Y ARE PROVIDED AS SPECIFIED ON "006".			

Fig. 12 - Dimensions 50TC-16

## CURBS, WEIGHTS & DIMENSIONS (cont.)

UNIT	STD UNIT WEIGHT		CORNER WEIGHT (A)		CORNER WEIGHT (B)		CORNER WEIGHT (C)		CORNER WEIGHT (D)		C.G.		
	LBS.	KG.	LBS.	KG.	LBS.	KG.	LBS.	KG.	LBS.	KG.	X	Y	Z
50TC 16	1305	593	268	122	325	148	389	177	322	146	58 1/2 [1486]	32 [813]	21 [533]

STANDARD UNIT WEIGHT IS WITHOUT ELECTRIC HEAT & WITHOUT PACKAGING.  
FOR OPTIONS & ACCESSORIES, REFER TO THE PRODUCT DATA CATALOG.

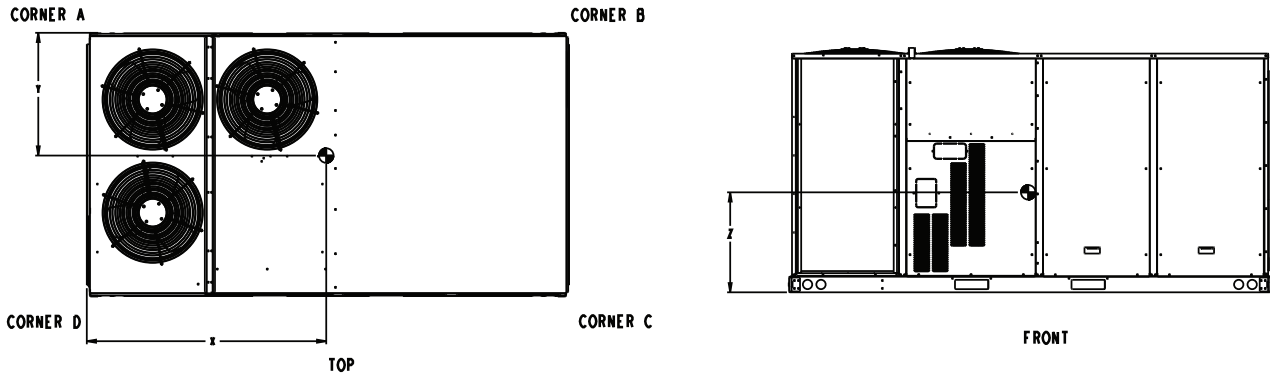


Fig. 13 - Dimensions 50TC-16

C101116A

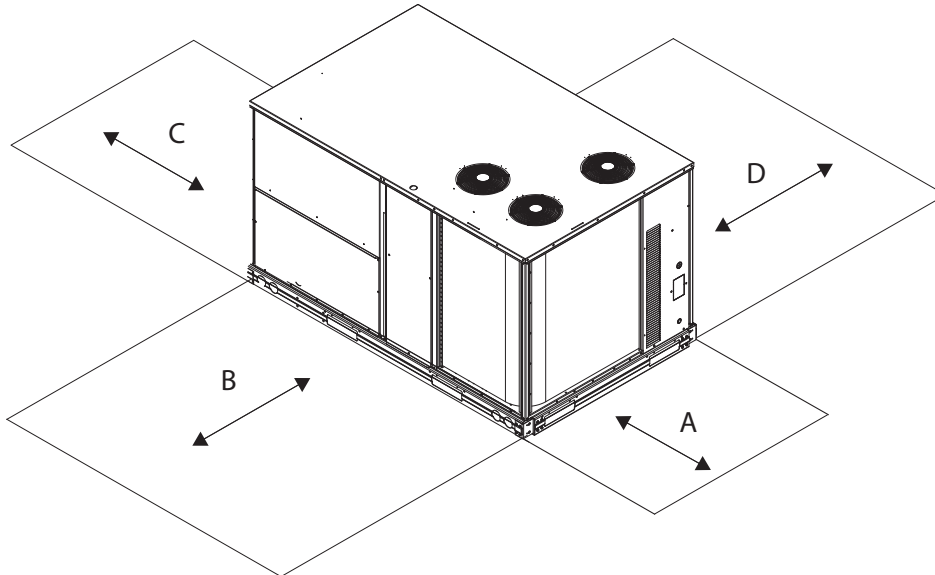


Fig. 14 - Service Clearance

C10578B

LOC	DIMENSION	CONDITION
A	48-in (1219 mm)	Unit disconnect is mounted on panel
	18-in (457 mm)	No disconnect, convenience outlet option
	18-in (457 mm)	Recommended service clearance
	12-in (305 mm)	Minimum clearance
B	42-in (1067 mm)	Surface behind servicer is grounded (e.g., metal, masonry wall)
	36-in (914 mm) Special	Surface behind servicer is electrically non-conductive (e.g., wood, fiberglass) Check for sources of flue products within 10-ft of unit fresh air intake hood
C	36-in (914 mm)	Side condensate drain is used
	18-in (457 mm)	Minimum clearance
D	48-in (1219 mm)	No flue discharge accessory installed, surface is combustible material
	42-in (1067 mm)	Surface behind servicer is grounded (e.g., metal, masonry wall, another unit)
	36-in (914 mm)	Surface behind servicer is electrically non-conductive (e.g., wood, fiberglass)
	Special	Check for adjacent units or building fresh air intakes within 10-ft of this unit's flue outlet

**NOTE:** Unit not designed to have overhead obstruction. Contact Application Engineering for guidance on any application planning overhead obstruction or vertical clearances.



# CURBS, WEIGHTS & DIMENSIONS (cont.)

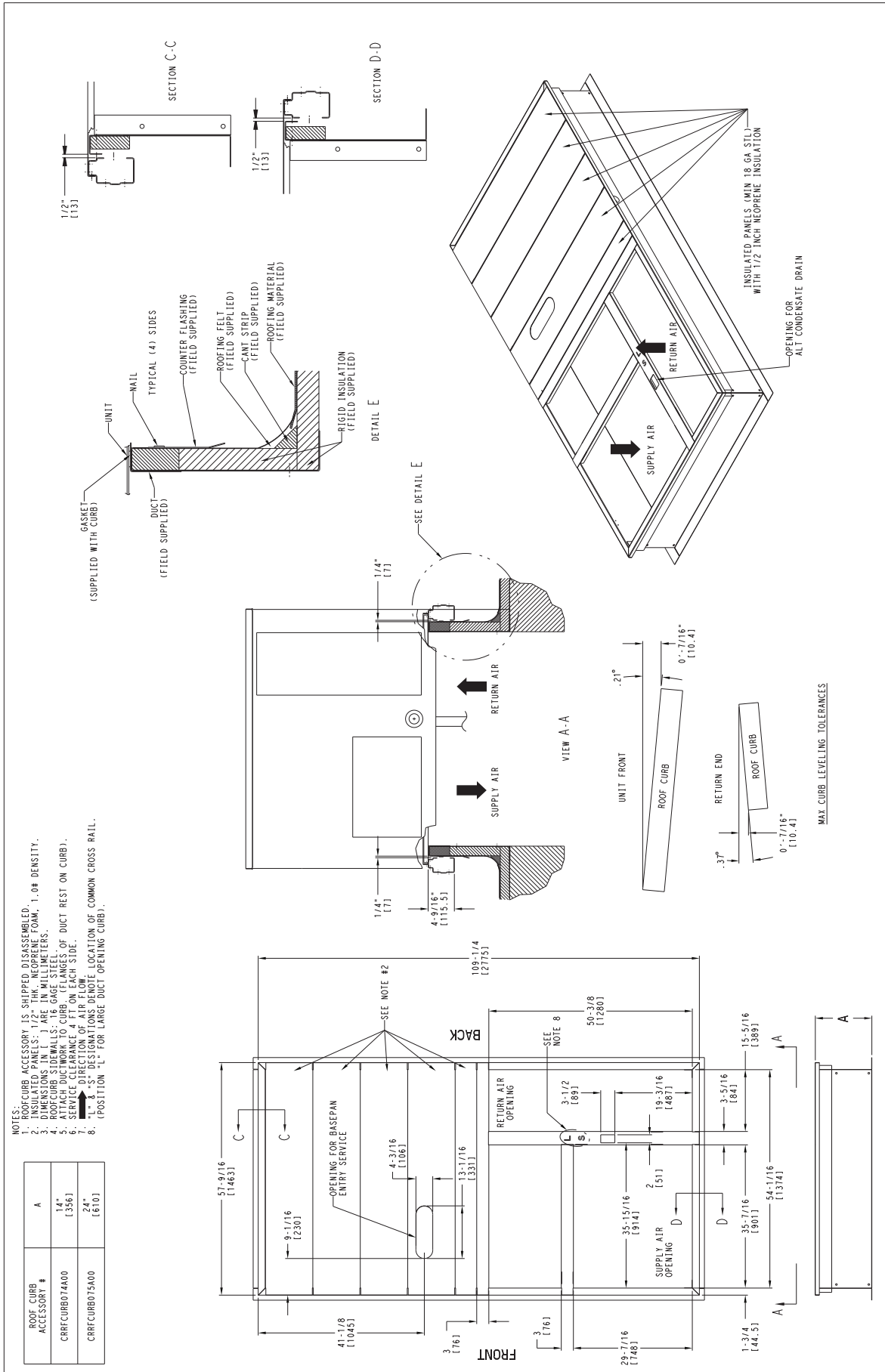


Fig. 15 - Roof Curb Details 50TC 16

## OPTION / ACCESSORY WEIGHTS

OPTION / ACCESSORY	OPTION / ACCESSORY WEIGHTS																	
	04		05		06		07		08		09		12		14		16	
	lb	kg	lb	kg	lb	kg	lb	kg	lb	kg	lb	kg	lb	kg	lb	kg	lb	kg
Humidi–MiZer <sup>1</sup>	15	7	23	10	25	11	29	13	38	17	47	21	57	21	47	21	57	26
Power Exhaust – vertical	50	23	50	23	50	23	50	23	75	34	75	34	75	34	75	34	85	39
Power Exhaust – horizontal	30	14	30	14	30	14	30	14	30	14	30	14	30	14	30	14	75	34
EconoMi\$er (IV, X or 2)	50	23	50	23	50	23	50	23	75	34	75	34	75	34	75	34	115	52
Two Position damper	39	18	39	18	39	18	39	18	58	26	58	26	58	26	58	26	65	29
Manual Dampers	12	5	12	5	12	5	12	5	18	8	18	8	18	8	18	8	25	11
Hail Guard (louvered)	16	7	16	7	16	7	16	7	34	15	34	15	34	15	34	15	45	20
Cu/Cu Condenser Coil <sup>2</sup>	6	3	13	6	13	6	15	7	12	5	23	10	23	10	23	10	190	86
Cu/Cu Cond. & Evaporator Coils <sup>2</sup>	12	5	19	9	21	10	26	12	25	11	49	22	49	22	49	22	280	127
Roof Curb (14–in. curb)	115	52	115	52	115	52	115	52	143	65	143	65	143	65	143	65	180	82
Roof Curb (24–in. curb)	197	89	197	89	197	89	197	89	245	111	245	111	245	111	245	111	255	116
CO <sub>2</sub> sensor	5	2	5	2	5	2	5	2	5	2	5	2	5	2	5	2	5	2
Electric Heater	30	14	30	14	30	14	30	14	45	20	45	20	45	20	45	20	25	11
Single Point Kit	10	5	10	5	10	5	10	5	12	5	12	5	12	5	15	7	25	11
Optional Indoor Motor / Drive	10	5	10	5	10	5	10	5	15	7	15	7	15	7	15	7	45	20
Motor Master Controller	35	16	35	16	35	16	35	16	35	16	35	16	35	16	40	18	35	16
Return Smoke Detector	5	2	5	2	5	2	5	2	5	2	5	2	5	2	5	2	5	2
Supply Smoke Detector	5	2	5	2	5	2	5	2	5	2	5	2	5	2	5	2	5	2
Non–Fused Disconnect	15	7	15	7	15	7	15	7	15	7	15	7	15	7	15	7	15	7
Powered Convenience outlet	35	16	35	16	35	16	35	16	35	16	35	16	35	16	35	16	35	16
Non–Powered Convenience outlet	5	2	5	2	5	2	5	2	5	2	5	2	5	2	5	2	5	2
Enthalpy Sensor	2	1	2	1	2	1	2	1	2	1	2	1	2	1	2	1	2	1
Differential Enthalpy Sensor	3	1	3	1	3	1	3	1	3	1	3	1	3	1	3	1	3	1
SAV System with VFD	–	–	–	–	–	–	–	–	20	9	20	9	20	9	20	9	20	9

**NOTE:** Where multiple variations are available, the heaviest combination is listed.

– Not Available

<sup>1</sup> For Humidi–MiZer add MotorMaster Controller.

<sup>2</sup> Where available.

## APPLICATION DATA

### Min operating ambient temp (cooling):

In mechanical cooling mode, your Carrier rooftop can safely operate down to an outdoor ambient temperature of 40°F (4°C) and 25°F (-4°C), with an accessory winter start kit. It is possible to provide cooling at lower outdoor ambient temperatures by using less outside air, economizers, and/or accessory low ambient kits.

### Max operating ambient temp (cooling):

The maximum operating ambient temperature for cooling mode is 115°F (46°C). While cooling operation above 115°F (46°C) may be possible, it could cause either a reduction in performance, reliability, or a protective action by the unit's internal safety devices.

### Min and max airflow (cooling mode):

To maintain safe and reliable operation of your rooftop, operate within the cooling airflow limits. Operating above the max may cause blow-off, undesired airflow noise, or airflow related problems with the rooftop unit. Operating below the min may cause problems with coil freeze-up.

### Airflow:

All units are draw-through in cooling mode.

### Outdoor air application strategies:

Economizers reduce operating expenses and compressor run time by providing a free source of cooling and a means of ventilation to match application changing needs. In fact, they should be considered for most applications. Also, consider the various economizer control methods and their benefits, as well as sensors required to accomplish your application goals. Please contact your local Carrier representative for assistance.

### Motor limits, Brake horsepower (BHP):

Due to Carrier's internal unit design, air path, and specially designed motors, the full horsepower (maximum continuous BHP) band, as listed in the Physical Data tables, can be used with the utmost confidence. There is no need for extra safety factors, as Carrier's motors are designed and rigorously tested to use the entire, listed BHP range without either nuisance tripping or premature motor failure.

### Sizing a rooftop

Bigger isn't necessarily better. While an air conditioner needs to have enough capacity to meet the load, it doesn't need excess capacity. In fact, having excess capacity typically results in very poor part load performance and humidity control.

Using higher design temperatures than ASHRAE recommends for your location, adding "safety factors" to the calculated load, and rounding up to the next largest unit, are all signs of oversizing air conditioners. Oversizing can cause short-cycling, and short cycling leads to poor humidity control, reduced efficiency, higher utility bills, drastic indoor temperature swings, excessive noise, and increased wear and tear on the air conditioner.

Rather than oversizing an air conditioner, wise contractors and engineers "right-size" or even slightly undersize air conditioners. Correctly sizing an air conditioner controls humidity better; promotes efficiency; reduces utility bills; extends equipment life, and maintains even, comfortable temperatures.

### Low ambient applications

When equipped with a Carrier economizer, your rooftop unit can cool your space by bringing in fresh, cool outside air. In fact, when so equipped, accessory low ambient kit may not be necessary. In low ambient conditions, unless the outdoor air is excessively humid or contaminated, economizer-based "free cooling" is the preferred less costly and energy conscious method.

In low ambient applications where outside air might not be desired (such as contaminated or excessively humid outdoor environments), your Carrier rooftop can operate at ambient temperatures down to -20°F (-29°C) using the recommended accessory Motormaster low ambient controller.

### Winter start

Carrier's winter start kit extends the low ambient limit of your rooftop to 25°F (-4°C). The kit bypasses the low pressure switch, preventing nuisance tripping of the low pressure switch. Other low ambient precautions may still be prudent.

## APPLICATION DATA (cont.)

### **Staged Air Volume (SAV) with Variable Frequency Drive (VFD)**

Carrier's Staged Air Volume (SAV) system utilizes a Variable Frequency Drive (VFD) to automatically adjust the indoor fan motor speed in sequence with the units cooling operation. Per ASHRAE 90.1 2010 standard section 6.4.3.10.b, during the first stage of cooling operation the VFD will adjust the fan motor to provide 2/3rd of the total cfm established for the unit. When a call for the second stage of cooling is required, the VFD will allow the total cfm for the unit established (100%). During the heating mode, the VFD will allow total design cfm (100%) operation and during the ventilation mode the VFD will allow operation to 2/3rd of total cfm.

The VFD used in Carrier's SAV system has soft start capabilities to slowly ramp up the speeds, thus eliminating any high inrush air volume during initial start-up. It also has internal over current protection for the fan motor and a field installed display kit that allows adjustment and in depth diagnostics of the VFD.

This SAV system is available on models with 2-stage cooling operation with electrical mechanical or RTU Open (multi Protocol) controls. Both space sensor and conventional thermostats/controls can be used to provide accurate control in any application.

The SAV system is very flexible for initial fan performance set up and adjustment. The standard factory shipped VFD is pre programmed to automatically stage the fan speed between the first and second stage of cooling. The unit fan performance static pressure and cfm can be easily adjusted using the traditional means of pulley adjustments. The other means to adjust the unit static and cfm performance is to utilize the field installed display module and adjust the frequency and voltage in the VFD to required performance requirements. In either case, once set up the VFD will automatically adjust the speed between the cooling stage operation.

## SELECTION PROCEDURE (WITH 50TC\*A07 EXAMPLE)

### I. Determine cooling and heating loads.

Given:

Mixed Air Drybulb	80°F (27°C)
Mixed Air Wetbulb	67°F (19°C)
Ambient Drybulb	95°F (35°C)
TC <sub>Load</sub>	69.0 MBH
SHC <sub>Load</sub>	51.0 MBH
Vertical Supply Air	2100 CFM
External Static Pressure	0.66 in.wg
Electrical Characteristics	230-3-60

### II. Make an initial guess at cooling tons.

Refrig. tons = TC<sub>Load</sub> / 12 MBH per ton

Refrig. tons = 69.0 / 12 = 5.75 tons

In this case, start by looking at the 50TC\*A07.

### III. Look up the rooftop's TC and SHC.

Table 6 shows that, at the application's supply air CFM, mixed air and ambient temperatures, the 50TC\*A07 supplies:

TC<sub>Load</sub> = 73.7 MBH

SHC<sub>Load</sub> = 54.4 MBH.

### IV. Calculate the building Latent Heat Load.

LC<sub>Load</sub> = TC<sub>Load</sub> - SHC<sub>Load</sub>

LC<sub>Load</sub> = 69.0 MBH - 51.0 MBH = 18.0 MBH

### V. Calculate RTU Latent Heat Capacity

LC = TC - SHC

LC = 73.7 MBH - 54.4 MBH = 19.3 MBH

### VI. Compare RTU capacities to loads. <sup>2,3</sup>

Compare the rooftop's SHC and LC to the building's Sensible and Latent Heat Loads.

### VII. Select factory options (FIOP)

Local code requires an economizer for any unit with TC larger than 65.0 MBH.

### VIII. Calculate the total static pressure.

External static pressure	0.66 in. wg
Sum of FIOP/Accessory static	<u>+0.14 in. wg</u>
Total Static Pressure	0.80 in. wg

### IX. Look up the Indoor Fan RPM & BHP.

Table 8 shows, at 2100 CFM & ESP= 0.8, RPM = 1268 & BHP = 1.52

### X. Determine electrical requirements

The MCA and MOCP tables show a 50TC\*A07 (without convenience outlet) as:

MCA = 30.5 amps & MOCP = 45 amps

Min. Disconnect Size: FLA = 30 & LRA = 157.

#### Legend:

BHP	— Brake horsepower
FLA	— Full load amps
LC	— Latent capacity
LRA	— Lock rotor amp
MBH	— (1,000) BTUH
MCA	— Min. circuit ampacity
MOCP	— Max. over-current protection
RPM	— Revolutions per minute
RTU	— Rooftop unit
SHC	— Sensible heat capacity
TC	— Total capacity

#### NOTES:

1. Selection software by Carrier saves time by performing many of the steps above. Contact your Carrier sales representative for assistance.
2. Selecting a unit with a SHC slightly lower than the SHC<sub>Load</sub> is often better than oversizing. Slightly lower SHC's will help control indoor humidity, and prevent temperature swings.
3. If the rooftop's capacity meets the Sensible Heat Load, but not the Latent Heat Load.
4. Indoor Fan Motor efficiency is available in Table 10. Use the decimal form in the equation eg. 80% = .8.

Table 6 – COOLING CAPACITIES

1-STAGE COOLING

3 TONS

50TC*A04 (RTPF)			AMBIENT TEMPERATURE												
			85			95			105			115			
			EAT (db)			EAT (db)			EAT (db)			EAT (db)			
			75	80	85	75	80	85	75	80	85	75	80	85	
900 Cfm	EAT (wb)	58	TC	28.1	28.1	31.7	26.3	26.3	29.8	24.5	24.5	27.7	22.6	22.6	25.5
			SHC	24.4	28.1	31.7	22.9	26.3	29.8	21.3	24.5	27.7	19.6	22.6	25.5
		62	TC	30.3	30.3	31.0	27.8	27.8	29.8	25.1	25.1	28.4	22.6	22.6	26.5
			SHC	22.6	26.8	31.0	21.5	25.7	29.8	20.2	24.3	28.4	18.7	22.6	26.5
		67	TC	35.5	35.5	35.5	33.1	33.1	33.1	30.5	30.5	30.5	27.5	27.5	27.5
		SHC	19.5	23.7	27.9	18.5	22.7	26.9	17.4	21.6	25.8	16.2	20.4	24.6	
	72	TC	39.0	39.0	39.0	37.1	37.1	37.1	35.1	35.1	35.1	32.7	32.7	32.7	
		SHC	15.3	19.5	23.7	14.5	18.8	23.0	13.7	17.9	22.2	12.9	17.1	21.3	
	76	TC	-	41.4	41.4	-	39.6	39.6	-	37.6	37.6	-	35.4	35.4	
		SHC	-	16.0	21.0	-	15.4	20.2	-	14.6	19.3	-	13.8	18.3	
1050 Cfm	EAT (wb)	58	TC	30.2	30.2	34.2	28.4	28.4	32.2	26.5	26.5	30.0	24.5	24.5	27.7
			SHC	26.3	30.2	34.2	24.7	28.4	32.2	23.1	26.5	30.0	21.3	24.5	27.7
		62	TC	31.9	31.9	34.2	29.4	29.4	32.8	26.7	26.7	31.2	24.5	24.5	28.8
			SHC	24.6	29.4	34.2	23.4	28.1	32.8	22.0	26.6	31.2	20.3	24.5	28.8
		67	TC	36.7	36.7	36.7	34.8	34.8	34.8	32.2	32.2	32.2	29.1	29.1	29.1
		SHC	20.6	25.4	30.2	19.8	24.6	29.4	18.8	23.6	28.4	17.6	22.4	27.2	
	72	TC	40.1	40.1	40.1	38.2	38.2	38.2	36.1	36.1	36.1	33.7	33.7	33.7	
		SHC	15.7	20.5	25.3	15.0	19.8	24.6	14.2	19.0	23.8	13.4	18.2	23.0	
	76	TC	-	42.4	42.4	-	40.6	40.6	-	38.5	38.5	-	36.2	36.2	
		SHC	-	16.6	22.2	-	15.9	21.3	-	15.2	20.4	-	14.4	19.5	
1200 Cfm	EAT (wb)	58	TC	32.2	32.2	36.4	30.4	30.4	34.3	28.4	28.4	32.1	26.3	26.3	29.7
			SHC	28.0	32.2	36.4	26.4	30.4	34.3	24.7	28.4	32.1	22.8	26.3	29.7
		62	TC	33.3	33.3	37.0	30.8	30.8	35.5	28.4	28.4	33.4	26.3	26.3	30.9
			SHC	26.4	31.7	37.0	25.1	30.3	35.5	23.4	28.4	33.4	21.7	26.3	30.9
		67	TC	37.7	37.7	37.7	35.6	35.6	35.6	33.4	33.4	33.4	30.4	30.4	30.4
		SHC	21.7	27.0	32.4	20.9	26.3	31.6	20.0	25.4	30.8	18.8	24.2	29.6	
	72	TC	40.9	40.9	40.9	39.0	39.0	39.0	36.9	36.9	36.9	34.4	34.4	34.4	
		SHC	16.1	21.5	26.8	15.4	20.8	26.1	14.7	20.0	25.4	13.8	19.2	24.5	
	76	TC	-	43.1	43.1	-	41.3	41.3	-	39.1	39.1	-	36.8	36.8	
		SHC	-	17.1	23.1	-	16.4	22.3	-	15.7	21.4	-	14.9	20.5	
1350 Cfm	EAT (wb)	58	TC	-	-	-	32.1	32.1	36.3	30.0	30.0	34.0	27.9	27.9	31.5
			SHC	-	-	-	27.9	32.1	36.3	26.1	30.0	34.0	24.2	27.9	31.5
		62	TC	28.4	28.4	30.5	32.2	32.2	37.8	30.1	30.1	35.3	27.9	27.9	32.8
			SHC	17.6	24.1	30.5	26.6	32.2	37.8	24.8	30.1	35.3	23.0	27.9	32.8
		67	TC	33.2	33.2	33.2	36.4	36.4	36.4	34.1	34.1	34.1	31.5	31.5	32.0
		SHC	15.0	21.4	27.9	21.9	27.8	33.7	21.0	26.9	32.9	20.0	26.0	32.0	
	72	TC	37.5	37.5	37.5	39.7	39.7	39.7	37.5	37.5	37.5	35.0	35.0	35.0	
		SHC	11.8	18.3	24.8	15.8	21.7	27.5	15.0	20.9	26.8	14.2	20.1	26.0	
	76	TC	-	40.1	40.1	-	41.8	41.8	-	39.6	39.6	-	37.3	37.3	
		SHC	-	15.3	22.7	-	16.8	23.2	-	16.1	22.3	-	15.3	21.5	
1500 Cfm	EAT (wb)	58	TC	28.1	28.1	34.2	33.7	33.7	38.1	31.6	31.6	35.7	29.3	29.3	33.2
			SHC	21.9	28.1	34.2	29.3	33.7	38.1	27.4	31.6	35.7	25.5	29.3	33.2
		62	TC	30.3	30.3	33.8	33.7	33.7	39.6	31.6	31.6	37.1	29.4	29.4	34.5
			SHC	19.8	26.8	33.8	27.8	33.7	39.6	26.1	31.6	37.1	24.2	29.4	34.5
		67	TC	35.5	35.5	35.5	36.9	36.9	36.9	34.6	34.6	34.9	32.0	32.0	34.0
		SHC	16.7	23.7	30.7	22.8	29.2	35.7	21.9	28.4	34.9	21.0	27.5	34.0	
	72	TC	39.0	39.0	39.0	40.2	40.2	40.2	38.0	38.0	38.0	35.5	35.5	35.5	
		SHC	12.4	19.5	26.6	16.1	22.5	28.8	15.4	21.7	28.1	14.6	21.0	27.4	
	76	TC	-	41.4	41.4	-	42.2	42.2	-	40.0	40.0	-	-	-	
		SHC	-	16.0	24.3	-	17.2	24.0	-	16.5	23.2	-	-	-	

LEGEND:

- Do not operate
- Cfm - Cubic feet per minute (supply air)
- EAT(db) - Entering air temperature (dry bulb)
- EAT(wb) - Entering air temperature (wet bulb)
- SHC - Sensible heat capacity
- TC - Total capacity

50TC04 (3 TONS) – UNIT WITH HUMIDI-MIZER SYSTEM IN SUBCOOLING MODE										
Air Entering Evaporator – CFM										
Temp (F) Air Ent Condenser (Edb)		80 dry bulb			80 dry bulb			80 dry bulb		
		72 wet bulb			67 wet bulb			62 wet bulb		
		900	1200	1500	900	1200	1500	900	1200	1500
75	TC	40.6	43.2	45.3	37.0	39.4	41.3	33.4	35.6	37.4
	SHC	21.6	23.9	25.6	25.6	27.7	29.3	29.6	31.6	33.1
	kW	2.0	2.0	2.0	2.0	2.0	2.0	2.0	2.0	2.0
85	TC	37.0	39.6	41.7	33.6	36.0	37.9	30.2	32.3	34.1
	SHC	17.7	20.2	22.2	22.7	25.0	26.9	27.7	29.9	31.6
	kW	2.3	2.3	2.3	2.3	2.3	2.3	2.3	2.3	2.3
95	TC	33.5	36.0	38.1	30.2	32.5	34.4	26.9	29.1	30.8
	SHC	13.7	16.6	18.8	19.7	22.4	24.4	25.7	28.2	30.1
	kW	2.6	2.6	2.6	2.5	2.5	2.5	2.5	2.5	2.5
105	TC	29.9	32.4	34.5	26.8	29.1	31.0	23.6	25.8	27.5
	SHC	9.8	12.9	15.3	16.8	19.7	22.0	23.8	26.5	28.6
	kW	2.9	2.9	2.9	2.8	2.8	2.8	2.8	2.8	2.8
115	TC	26.3	28.8	30.9	23.3	25.7	27.5	20.4	22.5	24.2
	SHC	5.8	9.2	11.9	13.8	17.0	19.5	21.9	24.8	27.1
	kW	3.2	3.2	3.2	3.1	3.1	3.1	3.1	3.1	3.1

50TC04 (3 TONS) – UNIT WITH HUMIDI-MIZER SYSTEM IN HOT GAS REHEAT MODE										
Air Entering Evaporator – CFM										
Temp (F) Air Ent Condenser (Edb)		75 dry bulb			75 dry bulb			75 dry bulb		
		62.5 wet bulb (50% relative)			64 wet bulb (55% relative)			65.3 wet bulb (60% relative)		
		1050	1200	1350	1050	1200	1350	1050	1200	1350
80	TC	14.7	15.5	16.2	15.9	16.7	17.4	16.9	17.7	18.4
	SHC	6.7	7.6	8.5	4.8	5.7	6.6	3.2	4.1	5.0
	kW	2.0	2.0	2.0	2.0	2.0	2.0	2.0	2.0	2.0
75	TC	15.1	15.8	16.4	16.2	17.0	17.6	17.2	18.0	18.6
	SHC	7.5	8.4	9.2	5.8	6.7	7.5	4.4	5.2	6.0
	kW	1.9	1.9	1.9	2.0	2.0	2.0	2.0	2.0	2.0
70	TC	15.5	16.1	16.7	16.6	17.3	17.9	17.5	18.2	18.8
	SHC	8.4	9.3	10.0	6.9	7.7	8.5	5.5	6.4	7.1
	kW	1.9	1.9	1.9	1.9	1.9	1.9	1.9	1.9	1.9
60	TC	16.2	16.8	17.3	17.2	17.8	18.3	18.1	18.7	19.2
	SHC	10.2	10.9	11.6	8.9	9.7	10.4	7.8	8.6	9.3
	kW	1.8	1.8	1.8	1.8	1.8	1.8	1.9	1.9	1.9
50	TC	17.0	17.5	17.9	17.9	18.4	18.8	18.7	19.2	19.6
	SHC	11.9	12.6	13.2	11.0	11.6	12.2	10.1	10.8	11.4
	kW	1.7	1.7	1.7	1.8	1.8	1.8	1.8	1.8	1.8
40	TC	17.7	18.1	18.5	18.6	19.0	19.3	19.3	19.7	20.1
	SHC	13.7	14.3	14.8	13.0	13.6	14.1	12.4	13.0	13.5
	kW	1.7	1.7	1.7	1.7	1.7	1.7	1.7	1.7	1.7

**LEGEND**

- Edb** – Entering Dry–Bulb
- Ewb** – Entering Wet–Bulb
- kW** – Compressor Motor Power Input
- ldb** – Leaving Dry–Bulb
- lwb** – Leaving Wet–Bulb
- SHC** – Sensible Heat Capacity (1000 Btuh) Gross
- TC** – Total Capacity (1000 Btuh) Gross

**NOTES:**

1. Direct interpolation is permissible. Do not extrapolate.
2. The following formulas may be used:

$$t_{ldb} = t_{edb} - \frac{\text{sensible capacity (Btuh)}}{1.10 \times \text{cfm}}$$

$t_{lwb}$  = Wet–bulb temperature corresponding to enthalpy of air leaving evaporator coil ( $h_{lwb}$ )

$$h_{lwb} = h_{ewb} - \frac{\text{total capacity (Btuh)}}{4.5 \times \text{cfm}}$$

Where:  $h_{ewb}$  = Enthalpy of air entering evaporator coil

Table 6 - COOLING CAPACITIES (cont.)

1-STAGE COOLING

4 TONS

50TC*A05 (RTPF)			AMBIENT TEMPERATURE												
			85			95			105			115			
			EAT (db)			EAT (db)			EAT (db)			EAT (db)			
			75	80	85	75	80	85	75	80	85	75	80	85	
1200 Cfm	EAT (wb)	58	TC	-	-	-	-	-	-	36.1	36.1	40.7	34.3	34.3	38.6
			SHC	-	-	-	-	-	-	31.5	36.1	40.7	29.9	34.3	38.6
		62	TC	43.1	43.1	43.1	40.8	40.8	40.8	38.4	38.4	39.4	35.9	35.9	38.2
			SHC	31.2	36.4	41.7	30.1	35.3	40.6	28.9	34.1	39.4	27.8	33.0	38.2
		67	TC	47.4	47.4	47.4	45.2	45.2	45.2	42.9	42.9	42.9	40.3	40.3	40.3
		SHC	25.9	31.2	36.4	25.0	30.2	35.5	23.9	29.2	34.4	22.9	28.2	33.4	
		72	TC	51.1	51.1	51.1	49.1	49.1	49.1	46.8	46.8	46.8	43.9	43.9	43.9
		SHC	20.1	25.5	30.9	19.4	24.7	30.1	18.4	23.7	29.0	17.4	22.7	28.0	
		76	TC	-	53.3	53.3	-	51.5	51.5	-	49.2	49.2	-	45.9	45.9
		SHC	-	20.8	27.4	-	20.2	26.8	-	19.3	25.7	-	18.3	24.6	
1400 cfm	EAT (wb)	58	TC	41.9	41.9	47.3	40.1	40.1	45.3	38.2	38.2	43.2	36.3	36.3	41.0
			SHC	36.6	41.9	47.3	35.0	40.1	45.3	33.3	38.2	43.2	31.7	36.3	41.0
		62	TC	44.6	44.6	45.4	42.3	42.3	44.2	39.8	39.8	42.9	37.3	37.3	41.6
			SHC	33.4	39.4	45.4	32.3	38.3	44.2	31.0	37.0	42.9	29.8	35.7	41.6
		67	TC	48.7	48.7	48.7	46.6	46.6	46.6	44.2	44.2	44.2	41.4	41.4	41.4
		SHC	27.3	33.2	39.2	26.4	32.3	38.3	25.3	31.3	37.3	24.2	30.2	36.2	
		72	TC	52.2	52.2	52.2	50.3	50.3	50.3	47.8	47.8	47.8	44.8	44.8	44.8
		SHC	20.6	26.7	32.7	19.9	25.9	32.0	18.9	24.9	30.9	17.9	23.8	29.7	
		76	TC	-	54.1	54.1	-	52.3	52.3	-	49.9	49.9	-	46.4	46.4
		SHC	-	21.5	29.0	-	20.8	28.0	-	19.9	26.9	-	18.8	25.7	
1600 Cfm	EAT (wb)	58	TC	44.0	44.0	49.6	42.1	42.1	47.4	40.1	40.1	45.2	38.1	38.1	43.0
			SHC	38.3	44.0	49.6	36.7	42.1	47.4	34.9	40.1	45.2	33.2	38.1	43.0
		62	TC	45.7	45.7	48.6	43.5	43.5	47.5	41.0	41.0	46.0	38.5	38.5	44.4
			SHC	35.3	42.0	48.6	34.2	40.8	47.5	32.9	39.4	46.0	31.6	38.0	44.4
		67	TC	49.8	49.8	49.8	47.6	47.6	47.6	45.1	45.1	45.1	42.3	42.3	42.3
		SHC	28.4	35.0	41.6	27.6	34.2	40.9	26.5	33.2	39.9	25.4	32.1	38.7	
		72	TC	53.0	53.0	53.0	51.1	51.1	51.1	48.6	48.6	48.6	45.4	45.4	45.4
		SHC	21.0	27.6	34.3	20.3	27.0	33.6	19.4	26.0	32.6	18.3	24.8	31.3	
		76	TC	-	54.6	54.6	-	52.8	52.8	-	50.4	50.4	-	46.8	46.8
		SHC	-	22.0	29.9	-	21.3	29.0	-	20.3	27.9	-	19.2	26.6	
1800 Cfm	EAT (wb)	58	TC	44.0	44.0	50.3	42.1	42.1	48.1	40.1	40.1	45.9	38.0	38.0	43.5
			SHC	37.6	44.0	50.3	36.0	42.1	48.1	34.3	40.1	45.9	32.6	38.0	43.5
		62	TC	45.7	45.7	49.5	43.5	43.5	48.3	41.0	41.0	46.8	38.4	38.4	45.2
			SHC	34.5	42.0	49.5	33.4	40.8	48.3	32.1	39.4	46.8	30.8	38.0	45.2
		67	TC	49.8	49.8	49.8	47.6	47.6	47.6	45.1	45.1	45.1	42.3	42.3	42.3
		SHC	27.6	35.0	42.5	26.8	34.2	41.7	25.7	33.2	40.7	24.6	32.1	39.5	
		72	TC	53.0	53.0	53.0	51.1	51.1	51.1	48.6	48.6	48.6	45.4	45.4	45.4
		SHC	20.2	27.6	35.1	19.5	27.0	34.4	18.5	26.0	33.4	17.5	24.8	32.1	
		76	TC	-	54.6	54.6	-	52.8	52.8	-	50.4	50.4	-	46.8	46.8
		SHC	-	22.0	30.9	-	21.3	30.0	-	20.3	28.9	-	19.2	27.5	
2000 Cfm	EAT (wb)	58	TC	46.9	46.9	52.9	45.0	45.0	50.8	42.9	42.9	48.4	40.7	40.7	45.9
			SHC	40.9	46.9	52.9	39.3	45.0	50.8	37.4	42.9	48.4	35.5	40.7	45.9
		62	TC	47.5	47.5	54.0	45.3	45.3	52.5	43.0	43.0	50.3	40.7	40.7	47.7
			SHC	38.5	46.3	54.0	37.3	44.9	52.5	35.6	43.0	50.3	33.8	40.7	47.7
		67	TC	51.2	51.2	51.2	49.1	49.1	49.1	46.5	46.5	46.5	43.5	43.5	43.5
		SHC	30.5	38.3	46.0	29.8	37.6	45.5	28.7	36.6	44.5	27.5	35.4	43.2	
		72	TC	54.0	54.0	54.0	52.1	52.1	52.1	49.7	49.7	49.7	46.2	46.2	46.2
		SHC	21.7	29.2	36.8	21.1	28.7	36.4	20.1	27.8	35.4	18.9	26.4	33.9	
		76	TC	-	55.2	55.2	-	53.5	53.5	-	51.0	51.0	-	47.3	47.3
		SHC	-	22.7	31.4	-	22.0	30.6	-	21.1	29.6	-	19.9	28.1	

LEGEND:

- Do not operate
- Cfm - Cubic feet per minute (supply air)
- EAT(db) - Entering air temperature (dry bulb)
- EAT(wb) - Entering air temperature (wet bulb)
- SHC - Sensible heat capacity
- TC - Total capacity



50TC05 (4 TONS) – UNIT WITH HUMIDI-MIZER SYSTEM IN SUBCOOLING MODE										
Air Entering Evaporator – CFM										
Temp (F) Air Ent Condenser (Edb)		80 dry bulb			80 dry bulb			80 dry bulb		
		72 wet bulb			67 wet bulb			62 wet bulb		
		1200	1600	2000	1200	1600	2000	1200	1600	2000
75	TC	52.5	55.9	58.6	47.1	50.2	52.7	41.7	44.5	46.8
	SHC	22.6	25.5	27.8	27.1	29.9	32.0	31.6	34.2	36.2
	kW	2.5	2.5	2.5	2.5	2.5	2.5	2.5	2.5	2.5
85	TC	48.7	52.2	54.9	43.4	46.5	49.0	38.0	40.8	43.1
	SHC	18.0	21.3	23.9	23.6	26.8	29.2	29.3	32.2	34.4
	kW	2.9	2.9	2.9	2.9	2.9	2.9	2.9	2.9	2.9
95	TC	44.9	48.4	51.2	39.6	42.8	45.3	34.3	37.1	39.4
	SHC	13.4	17.2	20.0	20.2	23.7	26.4	27.0	30.2	32.7
	kW	3.4	3.4	3.4	3.3	3.3	3.3	3.3	3.3	3.3
105	TC	41.1	44.7	47.5	35.9	39.1	41.7	30.6	33.5	35.8
	SHC	8.8	13.0	16.1	16.7	20.6	23.6	24.6	28.2	31.0
	kW	3.8	3.8	3.8	3.7	3.7	3.7	3.7	3.7	3.7
115	TC	37.4	41.0	43.9	32.1	35.4	38.0	26.8	29.8	32.1
	SHC	4.3	8.8	12.2	13.3	17.5	20.7	22.3	26.2	29.2
	kW	4.2	4.2	4.2	4.2	4.2	4.2	4.1	4.1	4.1

50TC05 (4 TONS) – UNIT WITH HUMIDI-MIZER SYSTEM IN HOT GAS REHEAT MODE										
Air Entering Evaporator – CFM										
Temp (F) Air Ent Condenser (Edb)		75 dry bulb			75 dry bulb			75 dry bulb		
		62.5 wet bulb (50% relative)			64 wet bulb (55% relative)			65.3 wet bulb (60% relative)		
		1200	1600	2000	1200	1600	2000	1200	1600	2000
80	TC	11.6	13.8	15.5	13.5	15.8	17.6	15.2	17.5	19.3
	SHC	-1.0	1.2	3.0	-3.1	-0.8	0.9	-4.8	-2.6	-0.9
	kW	2.5	2.5	2.5	2.5	2.5	2.5	2.5	2.5	2.5
75	TC	12.5	14.6	16.2	14.3	16.4	18.1	15.9	18.1	19.8
	SHC	-0.7	1.4	3.0	-2.7	-0.6	1.1	-4.3	-2.2	-0.6
	kW	2.5	2.5	2.5	2.5	2.5	2.5	2.5	2.5	2.5
70	TC	13.4	15.3	16.8	15.1	17.1	18.7	16.6	18.7	20.3
	SHC	-0.5	1.5	3.0	-2.3	-0.3	1.2	-3.8	-1.9	-0.3
	kW	2.5	2.5	2.5	2.5	2.5	2.5	2.5	2.5	2.5
60	TC	15.1	16.8	18.1	16.7	18.4	19.8	18.1	19.9	21.2
	SHC	0.0	1.7	3.1	-1.5	0.2	1.5	-2.8	-1.1	0.2
	kW	2.6	2.6	2.6	2.6	2.6	2.6	2.6	2.6	2.6
50	TC	16.9	18.3	19.4	18.3	19.8	20.9	19.6	21.0	22.2
	SHC	0.6	2.0	3.1	-0.7	0.7	1.8	-1.8	-0.4	0.7
	kW	2.6	2.6	2.6	2.6	2.6	2.6	2.6	2.6	2.6
40	TC	18.7	19.8	20.7	19.9	21.1	22.0	21.0	22.2	23.2
	SHC	1.1	2.2	3.1	0.1	1.2	2.1	-0.8	0.4	1.3
	kW	2.6	2.6	2.6	2.7	2.7	2.7	2.7	2.7	2.7

**LEGEND**

- Edb** – Entering Dry–Bulb
- Ewb** – Entering Wet–Bulb
- kW** – Compressor Motor Power Input
- ldb** – Leaving Dry–Bulb
- lwb** – Leaving Wet–Bulb
- SHC** – Sensible Heat Capacity (1000 Btuh) Gross
- TC** – Total Capacity (1000 Btuh) Gross

**NOTES:**

1. Direct interpolation is permissible. Do not extrapolate.
2. The following formulas may be used:

$$t_{ldb} = t_{edb} - \frac{\text{sensible capacity (Btuh)}}{1.10 \times \text{cfm}}$$

$t_{lwb}$  = Wet–bulb temperature corresponding to enthalpy of air leaving evaporator coil ( $h_{lwb}$ )

$$h_{lwb} = h_{ewb} - \frac{\text{total capacity (Btuh)}}{4.5 \times \text{cfm}}$$

Where:  $h_{ewb}$  = Enthalpy of air entering evaporator coil

Table 6 - COOLING CAPACITIES (cont.)

1-STAGE COOLING

5 TONS

50TC*A06 (RTPF)			AMBIENT TEMPERATURE												
			85			95			105			115			
			EAT (db)			EAT (db)			EAT (db)			EAT (db)			
			75	80	85	75	80	85	75	80	85	75	80	85	
1500 Cfm	EAT (wb)	58	TC	52.9	52.9	60.0	49.9	49.9	56.6	46.6	46.6	52.9	43.1	43.1	48.9
			SHC	45.8	52.9	60.0	43.2	49.9	56.6	40.4	46.6	52.9	37.3	43.1	48.9
		62	TC	56.2	56.2	57.6	52.2	52.2	55.7	47.8	47.8	53.5	43.2	43.2	51.0
			SHC	41.8	49.7	57.6	39.9	47.8	55.7	37.8	45.6	53.5	35.5	43.2	51.0
		67	TC	62.4	62.4	62.4	58.8	58.8	58.8	54.4	54.4	54.4	49.5	49.5	49.5
	SHC		34.8	42.8	50.7	33.2	41.2	49.1	31.4	39.3	47.3	29.4	37.3	45.3	
	72	TC	68.2	68.2	68.2	64.8	64.8	64.8	60.8	60.8	60.8	56.2	56.2	56.2	
		SHC	27.2	35.2	43.2	25.9	33.9	41.9	24.4	32.4	40.4	22.6	30.6	38.6	
	76	TC	-	71.1	71.1	-	69.0	69.0	-	65.4	65.4	-	60.9	60.9	
		SHC	-	28.4	36.6	-	27.6	35.9	-	26.3	34.6	-	24.8	33.0	
1750 Cfm	EAT (wb)	58	TC	56.5	56.5	64.0	53.3	53.3	60.4	49.8	49.8	56.5	46.1	46.1	52.3
			SHC	48.9	56.5	64.0	46.1	53.3	60.4	43.1	49.8	56.5	39.9	46.1	52.3
		62	TC	58.5	58.5	63.4	54.4	54.4	61.3	49.9	49.9	58.9	46.1	46.1	54.4
			SHC	45.2	54.3	63.4	43.2	52.2	61.3	41.0	49.9	58.9	37.9	46.1	54.4
		67	TC	64.3	64.3	64.3	60.5	60.5	60.5	56.2	56.2	56.2	51.3	51.3	51.3
	SHC		36.9	46.1	55.2	35.3	44.5	53.7	33.6	42.8	51.9	31.6	40.8	49.9	
	72	TC	69.5	69.5	69.5	66.5	66.5	66.5	62.4	62.4	62.4	57.7	57.7	57.7	
		SHC	27.8	36.9	45.9	26.7	35.9	45.1	25.2	34.5	43.7	23.5	32.8	42.0	
	76	TC	-	72.2	72.2	-	70.1	70.1	-	66.6	66.6	-	-	-	
		SHC	-	29.3	38.9	-	28.6	38.2	-	27.4	36.8	-	-	-	
2000 Cfm	EAT (wb)	58	TC	59.3	59.3	67.3	56.1	56.1	63.6	52.5	52.5	59.5	48.6	48.6	55.1
			SHC	51.4	59.3	67.3	48.6	56.1	63.6	45.4	52.5	59.5	42.1	48.6	55.1
		62	TC	60.1	60.1	68.5	56.2	56.2	66.3	52.5	52.5	62.0	48.7	48.7	57.4
			SHC	48.1	58.3	68.5	46.2	56.2	66.3	43.1	52.5	62.0	39.9	48.7	57.4
		67	TC	65.7	65.7	65.7	61.9	61.9	61.9	57.5	57.5	57.5	52.6	52.6	54.4
	SHC		38.8	49.1	59.5	37.3	47.7	58.1	35.6	46.0	56.4	33.6	44.0	54.4	
	72	TC	70.1	70.1	70.1	67.6	67.6	67.6	63.6	63.6	63.6	58.9	58.9	58.9	
		SHC	28.3	38.1	48.0	27.4	37.7	48.0	26.0	36.4	46.7	24.3	34.7	45.2	
	76	TC	-	72.9	72.9	-	70.8	70.8	-	67.4	67.4	-	-	-	
		SHC	-	30.1	40.7	-	29.3	39.9	-	28.2	38.7	-	-	-	
2250 Cfm	EAT (wb)	58	TC	61.5	61.5	69.8	58.4	58.4	66.2	54.8	54.8	62.1	50.8	50.8	57.6
			SHC	53.2	61.5	69.8	50.5	58.4	66.2	47.4	54.8	62.1	43.9	50.8	57.6
		62	TC	61.6	61.6	72.6	58.4	58.4	68.9	54.8	54.8	64.6	50.8	50.8	59.9
			SHC	50.6	61.6	72.6	47.9	58.4	68.9	45.0	54.8	64.6	41.7	50.8	59.9
		67	TC	66.8	66.8	66.8	63.0	63.0	63.0	58.5	58.5	60.6	53.6	53.6	58.6
	SHC		40.5	52.0	63.4	39.1	50.7	62.3	37.4	49.0	60.6	35.5	47.0	58.6	
	72	TC	70.8	70.8	70.8	68.5	68.5	68.5	64.5	64.5	64.5	59.8	59.8	59.8	
		SHC	28.7	39.5	50.2	28.0	39.3	50.5	26.7	38.1	49.6	25.0	36.6	48.1	
	76	TC	-	73.4	73.4	-	71.2	71.2	-	67.9	67.9	-	-	-	
		SHC	-	30.7	42.1	-	30.0	41.4	-	28.9	40.4	-	-	-	
2500 Cfm	EAT (wb)	58	TC	63.3	63.3	71.8	60.1	60.1	68.2	56.5	56.5	64.1	52.6	52.6	59.6
			SHC	54.8	63.3	71.8	52.1	60.1	68.2	49.0	56.5	64.1	45.5	52.6	59.6
		62	TC	63.4	63.4	74.7	60.2	60.2	71.0	56.6	56.6	66.7	52.6	52.6	62.1
			SHC	52.0	63.4	74.7	49.4	60.2	71.0	46.5	56.6	66.7	43.2	52.6	62.1
		67	TC	67.6	67.6	67.6	63.8	63.8	66.2	59.3	59.3	64.6	54.4	54.4	62.5
	SHC		42.1	54.6	67.1	40.9	53.5	66.2	39.2	51.9	64.6	37.2	49.8	62.5	
	72	TC	71.3	71.3	71.3	69.0	69.0	69.0	65.1	65.1	65.1	60.4	60.4	60.4	
		SHC	29.1	40.7	52.2	28.5	40.7	52.9	27.3	39.7	52.2	25.7	38.3	50.9	
	76	TC	-	73.8	73.8	-	71.4	71.4	-	68.3	68.3	-	-	-	
		SHC	-	31.2	43.3	-	30.5	42.6	-	29.6	41.9	-	-	-	

LEGEND:

- Do not operate
- Cfm - Cubic feet per minute (supply air)
- EAT(db) - Entering air temperature (dry bulb)
- EAT(wb) - Entering air temperature (wet bulb)
- SHC - Sensible heat capacity
- TC - Total capacity

50TC06 (5 TONS) – UNIT WITH HUMIDI-MIZER SYSTEM IN SUBCOOLING MODE										
Air Entering Evaporator – CFM										
Temp (F) Air Ent Condenser (Edb)		80 dry bulb			80 dry bulb			80 dry bulb		
		72 wet bulb			67 wet bulb			62 wet bulb		
		1750	2000	2250	1750	2000	2250	1750	2000	2250
75	TC	73.1	78.7	84.5	63.2	66.9	70.8	53.2	55.1	57.1
	SHC	35.3	37.2	38.8	42.0	43.7	45.3	48.7	50.3	51.8
	kW	3.3	3.3	3.3	3.3	3.3	3.3	3.3	3.3	3.3
85	TC	67.6	71.2	75.0	59.1	61.2	63.3	50.6	51.1	51.5
	SHC	27.9	30.0	31.9	36.3	38.3	40.1	44.8	46.6	48.2
	kW	3.8	3.8	3.8	3.8	3.8	3.8	3.8	3.8	3.8
95	TC	62.1	63.8	65.5	55.1	55.4	55.8	48.0	47.0	46.0
	SHC	20.5	22.9	24.9	30.7	32.9	34.8	40.9	42.9	44.7
	kW	4.3	4.3	4.3	4.3	4.3	4.3	4.3	4.3	4.3
105	TC	56.6	56.3	56.0	51.0	49.6	48.3	45.4	43.0	40.5
	SHC	13.1	15.7	18.0	25.0	27.5	29.6	36.9	39.2	41.2
	kW	4.8	4.8	4.8	4.8	4.8	4.8	4.7	4.7	4.7
115	TC	51.1	48.8	46.5	46.9	43.9	40.7	42.8	39.0	35.0
	SHC	5.8	8.6	11.0	19.4	22.0	24.4	33.0	35.5	37.7
	kW	5.3	5.3	5.3	5.3	5.3	5.3	5.2	5.2	5.2

50TC06 (5 TONS) – UNIT WITH HUMIDI-MIZER SYSTEM IN HOT GAS REHEAT MODE										
Air Entering Evaporator – CFM										
Temp (F) Air Ent Condenser (Edb)		75 dry bulb			75 dry bulb			75 dry bulb		
		62.5 wet bulb (50% relative)			64 wet bulb (55% relative)			65.3 wet bulb (60% relative)		
		1750	2000	2250	1750	2000	2250	1750	2000	2250
80	TC	23.0	24.4	25.6	24.7	26.2	27.4	26.3	27.7	29.0
	SHC	5.3	6.1	6.8	3.2	4.0	4.7	1.4	2.2	2.9
	kW	2.9	2.9	2.9	2.9	2.9	2.9	2.9	2.9	2.9
75	TC	23.3	24.6	25.7	25.0	26.3	27.5	26.4	27.8	29.0
	SHC	5.1	5.8	6.5	3.1	3.9	4.5	1.4	2.2	2.8
	kW	2.9	2.9	2.9	2.9	2.9	2.9	2.9	2.9	2.9
70	TC	23.5	24.8	25.9	25.2	26.4	27.5	26.6	27.9	29.0
	SHC	4.8	5.5	6.2	3.0	3.7	4.3	1.4	2.1	2.8
	kW	3.0	3.0	3.0	3.0	3.0	3.0	3.0	3.0	3.0
60	TC	24.1	25.2	26.1	25.6	26.7	27.7	26.9	28.0	29.0
	SHC	4.3	5.0	5.5	2.8	3.4	3.9	1.4	2.0	2.6
	kW	3.0	3.0	3.0	3.0	3.0	3.0	3.0	3.0	3.0
50	TC	24.7	25.6	26.4	26.1	27.0	27.8	27.2	28.2	29.0
	SHC	3.8	4.4	4.8	2.5	3.1	3.5	1.4	2.0	2.4
	kW	3.1	3.1	3.1	3.1	3.1	3.1	3.1	3.1	3.1
40	TC	25.3	26.0	26.7	26.5	27.3	27.9	27.6	28.3	29.0
	SHC	3.3	3.8	4.2	2.3	2.8	3.1	1.4	1.9	2.3
	kW	3.1	3.1	3.1	3.2	3.2	3.2	3.2	3.2	3.2

**LEGEND**

- Edb** – Entering Dry–Bulb
- Ewb** – Entering Wet–Bulb
- kW** – Compressor Motor Power Input
- ldb** – Leaving Dry–Bulb
- lwb** – Leaving Wet–Bulb
- SHC** – Sensible Heat Capacity (1000 Btuh) Gross
- TC** – Total Capacity (1000 Btuh) Gross

**NOTES:**

1. Direct interpolation is permissible. Do not extrapolate.
2. The following formulas may be used:

$$t_{ldb} = t_{edb} - \frac{\text{sensible capacity (Btuh)}}{1.10 \times \text{cfm}}$$

$t_{lwb}$  = Wet–bulb temperature corresponding to enthalpy of air leaving evaporator coil ( $h_{lwb}$ )

$$h_{lwb} = h_{ewb} - \frac{\text{total capacity (Btuh)}}{4.5 \times \text{cfm}}$$

Where:  $h_{ewb}$  = Enthalpy of air entering evaporator coil

Table 6 - COOLING CAPACITIES (cont.)

1-STAGE COOLING

6 TONS

50TC*A07 (RTPF)			AMBIENT TEMPERATURE											
			85			95			105			115		
			EAT (db)			EAT (db)			EAT (db)			EAT (db)		
			75	80	85	75	80	85	75	80	85	75	80	85
1800 Cfm	58	TC	64.9	64.9	73.3	62.1	62.1	70.0	58.9	58.9	66.4	55.6	55.6	62.7
		SHC	56.6	64.9	73.3	54.1	62.1	70.0	51.4	58.9	66.4	48.5	55.6	62.7
	62	TC	68.7	68.7	70.3	64.9	64.9	68.5	60.8	60.8	66.4	56.4	56.4	64.0
		SHC	51.7	61.0	70.3	49.9	59.2	68.5	47.9	57.2	66.4	45.7	54.9	64.0
	67	TC	75.6	75.6	75.6	71.7	71.7	71.7	67.4	67.4	67.4	62.5	62.5	62.5
		SHC	42.8	52.2	61.5	41.2	50.5	59.8	39.3	48.6	58.0	37.2	46.5	55.8
	72	TC	82.6	82.6	82.6	78.5	78.5	78.5	73.7	73.7	73.7	67.8	67.8	67.8
		SHC	33.5	42.8	52.2	31.9	41.3	50.6	30.0	39.3	48.6	27.8	36.9	45.9
	76	TC	-	87.5	87.5	-	83.3	83.3	-	77.7	77.7	-	70.9	70.9
		SHC	-	35.0	44.9	-	33.5	43.4	-	31.6	41.5	-	29.3	39.1
2100 Cfm	58	TC	68.9	68.9	77.7	65.9	65.9	74.3	62.5	62.5	70.5	58.7	58.7	66.2
		SHC	60.1	68.9	77.7	57.4	65.9	74.3	54.5	62.5	70.5	51.2	58.7	66.2
	62	TC	70.9	70.9	76.9	67.1	67.1	75.0	63.0	63.0	72.5	58.7	58.7	68.7
		SHC	55.6	66.3	76.9	53.8	64.4	75.0	51.6	62.1	72.5	48.7	58.7	68.7
	67	TC	77.8	77.8	77.8	73.7	73.7	73.7	69.2	69.2	69.2	64.0	64.0	64.0
		SHC	45.4	56.1	66.8	43.7	54.4	65.2	41.8	52.5	63.2	39.6	50.2	60.7
	72	TC	84.5	84.5	84.5	80.3	80.3	80.3	75.1	75.1	75.1	68.8	68.8	68.8
		SHC	34.5	45.2	55.9	32.9	43.5	54.2	30.9	41.4	52.0	28.5	38.7	48.9
	76	TC	-	89.2	89.2	-	84.7	84.7	-	78.8	78.8	-	71.6	71.6
		SHC	-	36.3	47.8	-	34.7	46.0	-	32.6	43.7	-	30.1	40.9
2400 Cfm	58	TC	72.0	72.0	81.2	68.7	68.7	77.5	65.2	65.2	73.5	61.1	61.1	68.9
		SHC	62.8	72.0	81.2	60.0	68.7	77.5	56.9	65.2	73.5	53.3	61.1	68.9
	62	TC	72.8	72.8	82.8	68.9	68.9	80.7	65.2	65.2	76.4	61.2	61.2	71.6
		SHC	59.1	71.0	82.8	57.2	68.9	80.7	54.1	65.2	76.4	50.7	61.2	71.6
	67	TC	79.4	79.4	79.4	75.2	75.2	75.2	70.5	70.5	70.5	65.1	65.1	65.3
		SHC	47.7	59.8	71.8	46.0	58.1	70.2	44.0	56.0	68.1	41.6	53.5	65.3
	72	TC	86.0	86.0	86.0	81.6	81.6	81.6	76.1	76.1	76.1	69.6	69.6	69.6
		SHC	35.3	47.2	59.2	33.7	45.6	57.5	31.7	43.3	55.0	29.1	40.3	51.4
	76	TC	-	90.3	90.3	-	85.7	85.7	-	79.6	79.6	-	72.1	72.1
		SHC	-	37.3	49.8	-	35.6	48.0	-	33.5	45.6	-	30.8	42.5
2700 Cfm	58	TC	60.3	60.3	74.1	71.1	71.1	80.2	67.4	67.4	76.0	63.0	63.0	71.1
		SHC	46.4	60.3	74.1	62.0	71.1	80.2	58.8	67.4	76.0	55.0	63.0	71.1
	62	TC	65.4	65.4	69.3	71.2	71.2	83.3	67.5	67.5	79.0	63.1	63.1	73.8
		SHC	41.0	55.1	69.3	59.0	71.2	83.3	55.9	67.5	79.0	52.3	63.1	73.8
	67	TC	72.7	72.7	72.7	76.3	76.3	76.3	71.5	71.5	72.6	65.8	65.8	69.4
		SHC	33.8	48.0	62.2	48.2	61.6	74.9	46.1	59.3	72.6	43.5	56.5	69.4
	72	TC	79.7	79.7	79.7	82.5	82.5	82.5	76.9	76.9	76.9	70.1	70.1	70.1
		SHC	25.8	40.2	54.6	34.5	47.5	60.5	32.3	45.0	57.7	29.7	41.7	53.8
	76	TC	-	85.1	85.1	-	86.4	86.4	-	80.2	80.2	-	72.5	72.5
		SHC	-	33.5	48.4	-	36.5	49.9	-	34.3	47.3	-	31.5	44.0
3000 Cfm	58	TC	64.9	64.9	78.8	73.1	73.1	82.5	69.2	69.2	78.0	64.5	64.5	72.7
		SHC	51.1	64.9	78.8	63.8	73.1	82.5	60.3	69.2	78.0	56.2	64.5	72.7
	62	TC	68.7	68.7	76.5	73.2	73.2	85.7	69.2	69.2	81.0	64.5	64.5	75.5
		SHC	45.5	61.0	76.5	60.7	73.2	85.7	57.4	69.2	81.0	53.5	64.5	75.5
	67	TC	75.6	75.6	75.6	77.2	77.2	79.4	72.2	72.2	76.8	66.3	66.3	73.0
		SHC	36.6	52.2	67.7	50.2	64.8	79.4	48.0	62.4	76.8	45.1	59.1	73.0
	72	TC	82.6	82.6	82.6	83.3	83.3	83.3	77.5	77.5	77.5	70.5	70.5	70.5
		SHC	27.2	42.8	58.5	35.1	49.2	63.3	32.9	46.6	60.3	30.2	43.0	55.9
	76	TC	-	87.5	87.5	-	86.9	86.9	-	80.6	80.6	-	72.8	72.8
		SHC	-	35.0	51.5	-	37.3	51.6	-	35.0	48.9	-	32.1	45.3

LEGEND:

- Do not operate in this region
- Cfm - Cubic feet per minute (supply air)
- EAT(db) - Entering air temperature (dry bulb)
- EAT(wb) - Entering air temperature (wet bulb)
- SHC - Sensible heat capacity
- TC - Total capacity

50TC07 (6 TONS) – UNIT WITH HUMIDI-MIZER SYSTEM IN SUBCOOLING MODE										
Air Entering Evaporator – CFM										
Temp (F) Air Ent Condenser (Edb)		80 dry bulb			80 dry bulb			80 dry bulb		
		72 wet bulb			67 wet bulb			62 wet bulb		
		2100	2400	2700	2100	2400	2700	2100	2400	2700
75	TC	86.7	89.9	92.8	79.3	82.3	84.9	71.9	74.6	77.0
	SHC	40.1	41.8	43.3	46.9	48.5	49.9	53.7	55.2	56.5
	kW	4.3	4.3	4.3	4.2	4.2	4.2	4.2	4.2	4.2
85	TC	79.5	82.6	85.4	72.5	75.3	77.9	65.4	68.0	70.3
	SHC	32.1	34.0	35.7	40.7	42.5	44.1	49.4	51.0	52.5
	kW	5.0	5.0	5.0	5.0	5.0	5.0	4.9	4.9	4.9
95	TC	72.4	75.3	78.1	65.6	68.3	70.8	58.8	61.3	63.6
	SHC	24.1	26.3	28.1	34.6	36.6	38.3	45.1	46.9	48.5
	kW	5.8	5.8	5.8	5.7	5.7	5.7	5.6	5.6	5.6
105	TC	65.2	68.1	70.7	58.7	61.4	63.8	52.3	54.7	56.8
	SHC	16.2	18.5	20.5	28.5	30.6	32.6	40.7	42.8	44.6
	kW	6.5	6.5	6.5	6.4	6.4	6.4	6.3	6.3	6.3
115	TC	58.0	60.8	63.3	51.9	54.4	56.7	45.7	48.0	50.1
	SHC	8.2	10.7	13.0	22.3	24.7	26.8	36.4	38.6	40.6
	kW	7.2	7.2	7.2	7.1	7.1	7.1	7.0	7.0	7.0

50TC07 (6 TONS) – UNIT WITH HUMIDI-MIZER SYSTEM IN HOT GAS REHEAT MODE										
Air Entering Evaporator – CFM										
Temp (F) Air Ent Condenser (Edb)		75 dry bulb			75 dry bulb			75 dry bulb		
		62.5 wet bulb (50% relative)			64 wet bulb (55% relative)			65.3 wet bulb (60% relative)		
		2100	2400	2700	2100	2400	2700	1750	2000	2700
80	TC	16.7	19.8	22.5	18.8	21.9	24.7	16.2	19.4	26.7
	SHC	0.6	0.6	0.6	-0.4	-0.4	-0.4	-1.3	-1.3	-1.3
	kW	4.0	4.0	4.0	4.0	4.0	4.0	4.0	4.0	4.0
75	TC	17.7	20.6	23.1	19.6	22.6	25.3	17.3	20.3	27.1
	SHC	0.6	0.6	0.6	-0.3	-0.3	-0.3	-1.2	-1.2	-1.2
	kW	4.0	4.0	4.0	4.0	4.0	4.0	4.0	4.0	4.0
70	TC	18.6	21.3	23.7	20.5	23.3	25.8	18.3	21.1	27.6
	SHC	0.7	0.7	0.7	-0.2	-0.2	-0.2	-1.0	-1.0	-1.0
	kW	4.0	4.0	4.0	4.1	4.1	4.1	4.1	4.1	4.1
60	TC	20.5	22.9	25.0	22.2	24.7	26.8	20.4	22.8	28.5
	SHC	0.7	0.7	0.7	-0.0	-0.0	-0.0	-0.7	-0.7	-0.7
	kW	4.1	4.1	4.1	4.1	4.1	4.1	4.1	4.1	4.1
50	TC	22.4	24.4	26.2	24.0	26.0	27.9	22.4	24.5	29.3
	SHC	0.8	0.8	0.8	0.1	0.1	0.1	-0.4	-0.4	-0.4
	kW	4.1	4.1	4.1	4.1	4.1	4.1	4.2	4.2	4.2
40	TC	24.3	25.9	27.4	25.7	27.4	28.9	24.5	26.3	30.2
	SHC	0.8	0.8	0.8	0.3	0.3	0.3	-0.1	-0.1	-0.1
	kW	4.1	4.1	4.1	4.2	4.2	4.2	4.2	4.2	4.2

**LEGEND**

- Edb** – Entering Dry–Bulb
- Ewb** – Entering Wet–Bulb
- kW** – Compressor Motor Power Input
- ldb** – Leaving Dry–Bulb
- lwb** – Leaving Wet–Bulb
- SHC** – Sensible Heat Capacity (1000 Btuh) Gross
- TC** – Total Capacity (1000 Btuh) Gross

**NOTES:**

1. Direct interpolation is permissible. Do not extrapolate.
2. The following formulas may be used:

$$t_{ldb} = t_{edb} - \frac{\text{sensible capacity (Btuh)}}{1.10 \times \text{cfm}}$$

$t_{lwb}$  = Wet–bulb temperature corresponding to enthalpy of air leaving evaporator coil ( $h_{lwb}$ )

$$h_{lwb} = h_{ewb} - \frac{\text{total capacity (Btuh)}}{4.5 \times \text{cfm}}$$

Where:  $h_{ewb}$  = Enthalpy of air entering evaporator coil

Table 6 - COOLING CAPACITIES (cont.)

1-STAGE COOLING

7.5 TONS

50TC*A08 (RTPF)			AMBIENT TEMPERATURE												
			85			95			105			115			
			EAT (db)			EAT (db)			EAT (db)			EA (db)			
			75	80	85	75	80	85	75	80	85	75	80	85	
2250 Cfm	EAT (wb)	58	TC	81.2	81.2	91.8	77.5	77.5	87.7	73.6	73.6	83.3	69.5	69.5	78.7
			SHC	70.5	81.2	91.8	67.3	77.5	87.7	63.9	73.6	83.3	60.4	69.5	78.7
		62	TC	86.9	86.9	86.9	82.3	82.3	84.0	77.2	77.2	81.5	71.9	71.9	78.8
			SHC	63.6	74.9	86.2	61.4	72.7	84.0	58.9	70.2	81.5	56.3	67.6	78.8
		67	TC	95.2	95.2	95.2	90.7	90.7	90.7	85.7	85.7	85.7	79.9	79.9	79.9
	SHC		52.8	64.2	75.6	50.9	62.2	73.6	48.8	60.1	71.5	46.3	57.6	68.9	
	72	TC	103.5	103.5	103.5	98.9	98.9	98.9	93.8	93.8	93.8	87.3	87.3	87.3	
		SHC	41.5	53.1	64.6	39.7	51.2	62.7	37.7	49.2	60.6	35.3	46.6	57.8	
	76	TC	-	109.6	109.6	-	104.8	104.8	-	99.1	99.1	-	91.6	91.6	
		SHC	-	43.7	56.0	-	42.0	54.3	-	40.0	52.4	-	37.4	49.8	
2625 Cfm	EAT (wb)	58	TC	85.9	85.9	97.2	82.2	82.2	93.1	78.1	78.1	88.4	73.9	73.9	83.6
			SHC	74.6	85.9	97.2	71.4	82.2	93.1	67.9	78.1	88.4	64.1	73.9	83.6
		62	TC	89.6	89.6	94.1	85.1	85.1	91.7	80.1	80.1	89.1	74.6	74.6	86.0
			SHC	68.1	81.1	94.1	65.9	78.8	91.7	63.4	76.3	89.1	60.6	73.3	86.0
		67	TC	97.9	97.9	97.9	93.2	93.2	93.2	88.1	88.1	88.1	82.0	82.0	82.0
	SHC		55.7	68.7	81.7	53.7	66.7	79.8	51.6	64.6	77.6	49.0	62.0	74.9	
	72	TC	106.0	106.0	106.0	101.3	101.3	101.3	95.9	95.9	95.9	89.0	89.0	89.0	
		SHC	42.7	55.8	68.9	40.9	53.9	67.0	38.8	51.8	64.7	36.2	48.9	61.7	
	76	TC	-	111.8	111.8	-	106.9	106.9	-	100.7	100.7	-	92.7	92.7	
		SHC	-	45.3	59.8	-	43.6	58.0	-	41.4	55.6	-	38.7	52.6	
3000 Cfm	EAT (wb)	58	TC	89.6	89.6	101.4	85.9	85.9	97.2	81.7	81.7	92.5	77.0	77.0	87.1
			SHC	77.9	89.6	101.4	74.6	85.9	97.2	71.0	81.7	92.5	66.9	77.0	87.1
		62	TC	91.8	91.8	101.1	87.2	87.2	98.6	82.3	82.3	95.5	77.1	77.1	90.6
			SHC	72.2	86.7	101.1	69.9	84.3	98.6	67.2	81.3	95.5	63.5	77.1	90.6
		67	TC	99.9	99.9	99.9	95.2	95.2	95.2	89.9	89.9	89.9	83.6	83.6	83.6
	SHC		58.3	72.9	87.5	56.4	71.0	85.5	54.2	68.8	83.4	51.6	66.1	80.5	
	72	TC	107.9	107.9	107.9	103.0	103.0	103.0	97.3	97.3	97.3	90.1	90.1	90.1	
		SHC	43.7	58.3	72.8	41.9	56.4	70.9	39.7	54.1	68.4	37.0	51.0	65.0	
	76	TC	-	113.8	113.8	-	108.4	108.4	-	102.0	102.0	-	93.4	93.4	
		SHC	-	46.7	62.5	-	44.8	60.4	-	42.6	57.9	-	39.6	54.7	
3375 Cfm	EAT (wb)	58	TC	92.7	92.7	104.9	88.8	88.8	100.5	84.6	84.6	95.7	79.6	79.6	90.0
			SHC	80.5	92.7	104.9	77.1	88.8	100.5	73.4	84.6	95.7	69.1	79.6	90.0
		62	TC	93.7	93.7	107.3	89.1	89.1	104.7	84.6	84.6	99.5	79.6	79.6	93.6
			SHC	75.8	91.6	107.3	73.5	89.1	104.7	69.8	84.6	99.5	65.6	79.6	93.6
		67	TC	101.5	101.5	101.5	96.7	96.7	96.7	91.3	91.3	91.3	84.8	84.8	85.7
	SHC		60.8	76.9	93.0	58.8	74.9	91.0	56.7	72.8	88.9	53.9	69.8	85.7	
	72	TC	109.4	109.4	109.4	104.3	104.3	104.3	98.4	98.4	98.4	90.9	90.9	90.9	
		SHC	44.6	60.5	76.4	42.8	58.6	74.4	40.5	56.2	71.8	37.7	52.8	68.0	
	76	TC	-	115.1	115.1	-	109.5	109.5	-	102.8	102.8	-	94.0	94.0	
		SHC	-	47.8	64.9	-	45.9	62.7	-	43.5	60.1	-	40.4	56.5	
3750 Cfm	EAT (wb)	58	TC	95.3	95.3	107.8	91.3	91.3	103.3	86.9	86.9	98.3	81.7	81.7	92.4
			SHC	82.7	95.3	107.8	79.3	91.3	103.3	75.5	86.9	98.3	70.9	81.7	92.4
		62	TC	95.5	95.5	112.2	91.3	91.3	107.4	87.0	87.0	102.2	81.7	81.7	96.0
			SHC	78.7	95.5	112.2	75.3	91.3	107.4	71.7	87.0	102.2	67.4	81.7	96.0
		67	TC	102.8	102.8	102.8	97.9	97.9	97.9	92.3	92.3	94.0	85.7	85.7	90.5
	SHC		63.1	80.6	98.2	61.2	78.7	96.3	59.0	76.5	94.0	56.0	73.2	90.5	
	72	TC	110.6	110.6	110.6	105.4	105.4	105.4	99.2	99.2	99.2	91.5	91.5	91.5	
		SHC	45.5	62.7	79.9	43.5	60.7	77.8	41.3	58.1	75.0	38.3	54.5	70.7	
	76	TC	-	116.1	116.1	-	110.3	110.3	-	103.5	103.5	-	94.5	94.5	
		SHC	-	48.9	67.0	-	46.8	64.8	-	44.4	62.0	-	41.1	58.1	

LEGEND:

- Do not operate in this region
- Cfm - Cubic feet per minute (supply air)
- EAT(db) - Entering air temperature (dry bulb)
- EAT(wb) - Entering air temperature (wet bulb)
- SHC - Sensible heat capacity
- TC - Total capacity

Table 6 - COOLING CAPACITIES (cont.)

2-STAGE COOLING

7.5 TONS

50TC*D08 (RTPF & Novation)				AMBIENT TEMPERATURE											
				85			95			105			115		
				EAT (db)			EAT (db)			EAT (db)			EA (db)		
				75	80	85	75	80	85	75	80	85	75	80	85
2250 Cfm	EAT (wb)	58	TC	77.4	77.4	87.8	73.8	73.8	83.8	70.1	70.1	79.5	66.0	66.0	74.9
			SHC	66.9	77.4	87.8	63.9	73.8	83.8	60.6	70.1	79.5	57.1	66.0	74.9
		62	TC	82.2	82.2	83.9	77.5	77.5	81.7	72.6	72.6	79.2	67.3	67.3	76.4
			SHC	60.8	72.4	83.9	58.6	70.1	81.7	56.3	67.7	79.2	53.6	65.0	76.4
		67	TC	90.1	90.1	90.1	86.0	86.0	86.0	81.4	81.4	81.4	75.9	75.9	75.9
			SHC	50.2	61.8	73.3	48.5	60.1	71.6	46.5	58.1	69.7	44.2	55.8	67.4
		72	TC	98.0	98.0	98.0	94.0	94.0	94.0	89.5	89.5	89.5	84.3	84.3	84.3
			SHC	39.1	50.7	62.4	37.5	49.2	60.9	35.8	47.5	59.2	33.8	45.5	57.2
		76	TC	-	104.3	104.3	-	100.4	100.4	-	95.9	95.9	-	90.7	90.7
			SHC	-	41.7	54.0	-	40.3	52.7	-	38.7	51.0	-	36.8	49.0
2625 Cfm	EAT (wb)	58	TC	82.1	82.1	93.2	78.4	78.4	89.0	74.4	74.4	84.4	70.0	70.0	79.5
			SHC	71.0	82.1	93.2	67.8	78.4	89.0	64.3	74.4	84.4	60.6	70.0	79.5
		62	TC	84.9	84.9	91.8	80.4	80.4	89.5	75.4	75.4	86.7	70.2	70.2	82.9
			SHC	65.4	78.6	91.8	63.2	76.3	89.5	60.6	73.7	86.7	57.6	70.2	82.9
		67	TC	92.5	92.5	92.5	88.3	88.3	88.3	83.6	83.6	83.6	78.3	78.3	78.3
			SHC	53.0	66.3	79.5	51.3	64.6	78.0	49.4	62.8	76.1	47.2	60.6	73.9
		72	TC	100.4	100.4	100.4	96.4	96.4	96.4	91.7	91.7	91.7	86.4	86.4	86.4
			SHC	40.2	53.5	66.7	38.7	52.0	65.3	36.9	50.3	63.7	35.0	48.4	61.8
		76	TC	-	106.5	106.5	-	102.6	102.6	-	98.0	98.0	-	92.7	92.7
			SHC	-	43.3	57.6	-	41.8	55.9	-	40.2	54.1	-	38.4	52.2
3000 Cfm	EAT (wb)	58	TC	85.7	85.7	97.3	82.2	82.2	93.3	78.0	78.0	88.6	73.5	73.5	83.4
			SHC	74.1	85.7	97.3	71.1	82.2	93.3	67.5	78.0	88.6	63.6	73.5	83.4
		62	TC	86.9	86.9	98.7	82.8	82.8	96.4	78.2	78.2	92.3	73.6	73.6	86.9
			SHC	69.3	84.0	98.7	67.2	81.8	96.4	64.1	78.2	92.3	60.3	73.6	86.9
		67	TC	94.3	94.3	94.3	90.1	90.1	90.1	85.2	85.2	85.2	79.8	79.8	80.1
			SHC	55.6	70.5	85.4	54.0	68.9	83.9	52.1	67.1	82.2	49.9	65.0	80.1
		72	TC	102.2	102.2	102.2	98.1	98.1	98.1	93.3	93.3	93.3	87.9	87.9	87.9
			SHC	41.2	56.0	70.7	39.7	54.6	69.5	38.0	53.0	68.0	36.0	51.1	66.2
		76	TC	-	108.1	108.1	-	104.2	104.2	-	99.5	99.5	-	94.2	94.2
			SHC	-	44.5	60.2	-	43.2	58.7	-	41.6	57.0	-	39.8	55.2
3375 Cfm	EAT (wb)	58	TC	88.5	88.5	100.4	85.0	85.0	96.4	81.0	81.0	92	76.5	76.5	86.8
			SHC	76.5	88.5	100.4	73.5	85.0	96.4	70.1	81.0	92	66.1	76.5	86.8
		62	TC	88.9	88.9	103.9	85.1	85.1	100.4	81.1	81.1	95.7	76.5	76.5	90.3
			SHC	72.3	88.1	103.9	69.7	85.1	100.4	66.5	81.1	95.7	62.7	76.5	90.3
		67	TC	95.8	95.8	95.8	91.5	91.5	91.5	86.6	86.6	87.9	81.1	81.1	85.8
			SHC	58.0	74.4	90.9	56.4	73.0	89.6	54.6	71.3	87.9	52.4	69.1	85.8
		72	TC	103.6	103.6	103.6	99.4	99.4	99.4	94.6	94.6	94.6	89.1	89.1	89.1
			SHC	42.0	58.3	74.5	40.6	57.0	73.4	38.9	55.5	72.0	37.0	53.7	70.3
		76	TC	-	109.2	109.2	-	105.4	105.4	-	100.7	100.7	-	95.3	95.3
			SHC	-	45.6	62.6	-	44.4	61.3	-	42.8	59.7	-	41.0	58.0
3750 Cfm	EAT (wb)	58	TC	90.8	90.8	103.0	87.3	87.3	99.1	83.3	83.3	94.5	78.8	78.8	89.4
			SHC	78.5	90.8	103.0	75.5	87.3	99.1	72.0	83.3	94.5	68.2	78.8	89.4
		62	TC	90.9	90.9	107.2	87.4	87.4	103.1	83.3	83.3	98.4	78.9	78.9	93.1
			SHC	74.5	90.9	107.2	71.6	87.4	103.1	68.3	83.3	98.4	64.7	78.9	93.1
		67	TC	97.0	97.0	97.0	92.6	92.6	95.1	87.6	87.6	93.4	82.1	82.1	91.2
			SHC	60.3	78.2	96.2	58.8	76.9	95.1	56.9	75.2	93.4	54.8	73.0	91.2
		72	TC	104.7	104.7	104.7	100.5	100.5	100.5	95.6	95.6	95.6	90.1	90.1	90.1
			SHC	42.9	60.5	78.1	41.4	59.3	77.1	39.8	57.8	75.9	37.9	56.1	74.3
		76	TC	-	110.2	110.2	-	106.2	106.2	-	101.6	101.6	-	96.1	96.1
			SHC	-	46.7	64.8	-	45.4	63.6	-	44.0	62.3	-	42.2	60.6

\* See Minimum - Maximum Airflow Ratings in Table 3. Do not operate outside these limits.

LEGEND:

- Do not operate in this region
- Cfm - Cubic feet per minute (supply air)
- EAT(db) - Entering air temperature (dry bulb)
- EAT(wb) - Entering air temperature (wet bulb)
- SHC - Sensible heat capacity
- TC - Total capacity

50TC08 COOLING CAPACITIES, UNIT WITH HUMIDI-MIZER SYSTEM IN SUBCOOLING MODE										
TEMP (F) AIR ENT CONDENSER (Edb)		AIR ENTERING EVAPORATOR – CFM								
		2250/0.05			3000/0.07			3750/0.09		
		Air Entering Evaporator – Ewb (F)								
		72	67	62	72	67	62	72	67	62
75	TC	103.05	93.02	83.60	109.77	99.52	90.08	114.01	103.69	95.19
	SHC	43.66	55.34	67.09	50.99	66.29	81.31	57.49	76.27	92.20
	kW	4.90	4.83	4.77	4.82	4.88	4.96	4.99	4.91	4.85
85	TC	95.39	85.83	76.88	101.59	91.89	82.95	105.53	95.76	87.77
	SHC	36.42	48.47	60.60	43.24	58.99	74.40	49.44	68.68	84.90
	kW	5.49	5.42	5.36	5.40	5.47	5.54	5.58	5.50	5.44
95	TC	87.48	78.44	69.97	93.21	84.05	75.61	96.84	87.63	80.14
	SHC	28.98	41.46	53.97	35.32	51.53	67.34	41.21	60.92	77.41
	kW	6.16	6.09	6.03	6.08	6.14	6.21	6.24	6.17	6.11
105	TC	79.35	70.83	62.84	84.57	75.96	68.04	87.88	79.23	72.26
	SHC	21.34	34.26	47.18	27.17	43.86	60.08	32.73	52.95	69.70
	kW	6.93	6.86	6.81	6.85	6.91	6.97	7.00	6.93	6.88
115	TC	70.87	62.89	55.42	75.58	67.54	60.15	78.56	70.51	64.06
	SHC	13.40	26.79	40.14	18.70	35.89	52.54	23.94	44.68	61.67
	kW	7.79	7.74	7.69	7.73	7.78	7.83	7.86	7.80	7.76

50TC08 COOLING CAPACITIES, UNIT WITH HUMIDI-MIZER SYSTEM IN HOT GAS REHEAT MODE										
TEMP (F) AIR ENT CONDENSER (Edb)		AIR ENTERING EVAPORATOR – Ewb (F)								
		75 Dry Bulb 62.5 Wet Bulb (50% Relative)			75 Dry Bulb 64 Wet Bulb (56% Relative)			75 Dry Bulb 65.3 Wet Bulb (60% Relative)		
		Air Entering Evaporator – Cfm								
		2250	3000	3750	2250	3000	3750	2250	3000	3750
80	TC	27.60	32.75	30.19	40.09	39.43	37.73	45.06	45.25	44.25
	SHC	-3.12	5.20	6.71	3.75	5.24	6.75	3.77	5.26	6.78
	kW	4.56	4.51	4.46	4.63	4.60	4.56	4.70	4.67	4.64
75	TC	35.40	33.78	31.20	41.14	40.51	38.80	46.15	46.37	45.38
	SHC	4.67	6.17	7.69	4.71	6.21	7.73	4.74	6.24	7.76
	kW	4.41	4.36	4.39	4.41	4.36	4.36	4.41	4.39	4.36
70	TC	36.36	34.71	32.18	42.10	41.47	39.77	47.08	47.31	46.32
	SHC	5.63	7.14	8.66	5.67	7.18	8.71	5.70	7.21	8.74
	kW	4.43	4.49	4.41	4.44	4.40	4.39	4.49	4.47	4.44
60	TC	38.25	36.64	34.15	43.97	43.37	41.72	48.98	49.22	48.26
	SHC	7.56	9.09	10.62	7.60	9.13	10.66	7.62	9.15	10.69
	kW	4.56	4.55	4.43	4.57	4.53	4.46	4.56	4.55	4.50
50	TC	40.15	38.60	36.14	45.95	45.37	43.73	50.57	50.97	49.56
	SHC	9.48	11.03	12.58	9.52	11.07	12.62	9.54	11.10	12.64
	kW	4.63	4.52	4.38	4.45	4.41	4.33	5.25	4.91	5.60
40	TC	42.18	40.62	38.11	47.80	47.25	45.43	52.65	52.75	51.83
	SHC	11.41	12.98	14.54	11.45	13.02	14.58	11.47	13.04	14.60
	kW	4.32	4.37	4.37	4.65	4.60	4.89	4.96	5.20	5.12

**LEGEND**

- Edb** – Entering Dry–Bulb
- Ewb** – Entering Wet–Bulb
- kW** – Compressor Motor Power Input
- ldb** – Leaving Dry–Bulb
- lwb** – Leaving Wet–Bulb
- SHC** – Sensible Heat Capacity (1000 Btuh) Gross
- TC** – Total Capacity (1000 Btuh) Gross

**NOTES:**

1. Direct interpolation is permissible. Do not extrapolate.
2. The following formulas may be used:
 
$$t_{db} = t_{edb} - \frac{\text{sensible capacity (Btuh)}}{1.10 \times \text{cfm}}$$

$$t_{lwb} = \text{Wet-bulb temperature corresponding to enthalpy of air leaving evaporator coil } (h_{lwb})$$

$$h_{lwb} = h_{ewb} - \frac{\text{total capacity (Btuh)}}{4.5 \times \text{cfm}}$$
 Where:  $h_{ewb}$  = Enthalpy of air entering evaporator coil



Table 6 - COOLING CAPACITIES (cont.)

1-STAGE COOLING

8.5 TONS

50TC*A09 (RTPF)			AMBIENT TEMPERATURE												
			85			95			105			115			
			EAT (db)			EAT (db)			EAT (db)			EAT (db)			
			75	80	85	75	80	85	75	80	85	75	80	85	
2550 Cfm	EAT (wb)	58	TC	88.1	88.1	99.9	84.1	84.1	95.3	79.6	79.6	90.3	74.9	74.9	84.9
			SHC	76.4	88.1	99.9	72.8	84.1	95.3	69.0	79.6	90.3	64.9	74.9	84.9
		62	TC	93.9	93.9	95.2	88.6	88.6	92.6	82.8	82.8	89.7	76.6	76.6	86.5
			SHC	69.4	82.3	95.2	66.8	79.7	92.6	64.1	76.9	89.7	61.0	73.8	86.5
		67	TC	103.8	103.8	103.8	98.7	98.7	98.7	93.0	93.0	93.0	86.7	86.7	86.7
		SHC	57.8	70.7	83.6	55.6	68.5	81.4	53.1	66.1	79.0	50.5	63.4	76.4	
		72	TC	113.1	113.1	113.1	108.0	108.0	108.0	102.4	102.4	102.4	96.1	96.1	96.1
		SHC	45.2	58.3	71.3	43.2	56.3	69.3	41.1	54.1	67.1	38.7	51.7	64.7	
		76	TC	-	119.9	119.9	-	114.7	114.7	-	109.0	109.0	-	102.7	102.7
		SHC	-	47.9	61.9	-	46.0	60.1	-	44.1	58.1	-	41.9	55.8	
2975 Cfm	EAT (wb)	58	TC	93.6	93.6	106.1	89.3	89.3	101.2	84.6	84.6	96.0	79.6	79.6	90.3
			SHC	81.1	93.6	106.1	77.4	89.3	101.2	73.3	84.6	96.0	69.0	79.6	90.3
		62	TC	97.5	97.5	104.3	92.0	92.0	101.4	86.1	86.1	98.3	79.8	79.8	94.1
			SHC	74.7	89.5	104.3	72.0	86.7	101.4	69.1	83.7	98.3	65.6	79.8	94.1
		67	TC	106.7	106.7	106.7	101.5	101.5	101.5	95.7	95.7	95.7	89.2	89.2	89.2
		SHC	61.0	75.8	90.6	58.8	73.6	88.5	56.4	71.3	86.1	53.8	68.7	83.6	
		72	TC	115.8	115.8	115.8	110.6	110.6	110.6	104.9	104.9	104.9	98.4	98.4	98.4
		SHC	46.5	61.3	76.2	44.5	59.4	74.2	42.3	57.2	72.1	40.0	54.8	69.7	
		76	TC	-	122.4	122.4	-	117.0	117.0	-	111.1	111.1	-	104.5	104.5
		SHC	-	49.8	66.1	-	47.8	63.9	-	45.7	61.6	-	43.4	59.0	
3400 Cfm	EAT (wb)	58	TC	98.1	98.1	111.3	93.7	93.7	106.2	88.9	88.9	100.8	83.7	83.7	94.9
			SHC	85.0	98.1	111.3	81.2	93.7	106.2	77.0	88.9	100.8	72.5	83.7	94.9
		62	TC	100.0	100.0	112.3	94.9	94.9	108.6	89.1	89.1	104.9	83.8	83.8	98.7
			SHC	79.3	95.8	112.3	76.3	92.5	108.6	73.2	89.1	104.9	68.8	83.8	98.7
		67	TC	109.0	109.0	109.0	103.6	103.6	103.6	97.6	97.6	97.6	91.0	91.0	91.0
		SHC	63.9	80.5	97.2	61.8	78.5	95.2	59.4	76.1	92.9	56.8	73.5	90.3	
		72	TC	117.9	117.9	117.9	112.5	112.5	112.5	106.6	106.6	106.6	100.0	100.0	100.0
		SHC	47.6	64.1	80.6	45.6	62.1	78.7	43.4	60.0	76.6	41.1	57.6	74.2	
		76	TC	-	124.2	124.2	-	118.6	118.6	-	112.5	112.5	-	105.7	105.7
		SHC	-	51.2	69.0	-	49.2	66.7	-	47.0	64.4	-	44.7	61.9	
3825 Cfm	EAT (wb)	58	TC	101.6	101.6	115.1	97.2	97.2	110.1	92.3	92.3	104.6	87.0	87.0	98.6
			SHC	88.0	101.6	115.1	84.2	97.2	110.1	80.0	92.3	104.6	75.4	87.0	98.6
		62	TC	101.9	101.9	120.0	97.3	97.3	114.6	92.4	92.4	108.9	87.1	87.1	102.6
			SHC	83.7	101.8	120.0	79.9	97.3	114.6	75.9	92.4	108.9	71.6	87.1	102.6
		67	TC	110.7	110.7	110.7	105.3	105.3	105.3	99.2	99.2	99.3	92.5	92.5	96.7
		SHC	66.7	85.0	103.4	64.6	83.0	101.5	62.2	80.8	99.3	59.6	78.2	96.7	
		72	TC	119.4	119.4	119.4	114.0	114.0	114.0	108.0	108.0	108.0	101.3	101.3	101.3
		SHC	48.5	66.6	84.6	46.6	64.7	82.7	44.4	62.6	80.7	42.1	60.2	78.4	
		76	TC	-	125.5	125.5	-	119.8	119.8	-	113.6	113.6	-	106.7	106.7
		SHC	-	52.4	71.5	-	50.4	69.3	-	48.2	67.0	-	45.9	64.4	
4250 Cfm	EAT (wb)	58	TC	104.4	104.4	118.3	99.9	99.9	113.2	95.0	95.0	107.6	89.5	89.5	101.5
			SHC	90.4	104.4	118.3	86.6	99.9	113.2	82.3	95.0	107.6	77.6	89.5	101.5
		62	TC	104.4	104.4	123.0	99.9	99.9	117.8	95.0	95.0	112.0	89.6	89.6	105.6
			SHC	85.8	104.4	123.0	82.1	99.9	117.8	78.1	95.0	112.0	73.6	89.6	105.6
		67	TC	112.1	112.1	112.1	106.6	106.6	107.5	100.4	100.4	105.3	93.6	93.6	102.7
		SHC	69.2	89.2	109.2	67.2	87.3	107.5	64.9	85.1	105.3	62.3	82.5	102.7	
		72	TC	120.7	120.7	120.7	115.1	115.1	115.1	109.0	109.0	109.0	102.2	102.2	102.2
		SHC	49.4	68.9	88.4	47.4	67.0	86.5	45.3	64.9	84.6	42.9	62.6	82.3	
		76	TC	-	126.6	126.6	-	120.8	120.8	-	114.5	114.5	-	107.4	107.4
		SHC	-	53.5	73.9	-	51.5	71.7	-	49.3	69.4	-	46.9	66.8	

LEGEND:

- Do not operate in this region
- Cfm - Cubic feet per minute (supply air)
- EAT(db) - Entering air temperature (dry bulb)
- EAT(wb) - Entering air temperature (wet bulb)
- SHC - Sensible heat capacity
- TC - Total capacity

Table 6 - COOLING CAPACITIES (cont.)

2-STAGE COOLING

8.5 TONS

50TC*D09 (RTPF)			AMBIENT TEMPERATURE												
			85			95			105			115			
			EA (dB)			EA (dB)			EA (dB)			EA (dB)			
			75	80	85	75	80	85	75	80	85	75	80	85	
2550 Cfm	EAT (wb)	58	TC	89.7	89.7	101.6	85.2	85.2	96.5	79.6	79.6	90.1	73.8	73.8	83.6
			SHC	77.8	89.7	101.6	73.9	85.2	96.5	69.0	79.6	90.1	64.0	73.8	83.6
		62	TC	94.3	94.3	97.9	88.7	88.7	95.2	81.3	81.3	91.5	74.3	74.3	86.5
			SHC	71.0	84.4	97.9	68.2	81.7	95.2	64.7	78.1	91.5	60.6	73.6	86.5
		67	TC	105.0	105.0	105.0	99.3	99.3	99.3	92.2	92.2	92.2	84.1	84.1	84.1
	SHC		59.0	72.6	86.1	56.6	70.1	83.7	53.6	67.1	80.7	50.3	63.8	77.3	
	72	TC	115.9	115.9	115.9	110.4	110.4	110.4	104.2	104.2	104.2	96.0	96.0	96.0	
		SHC	46.4	60.0	73.6	44.3	57.9	71.5	41.9	55.5	69.1	38.8	52.4	65.9	
	76	TC	-	123.7	123.7	-	118.3	118.3	-	112.4	112.4	-	105.7	105.7	
		SHC	-	49.3	63.3	-	47.3	61.4	-	45.3	59.3	-	42.9	56.7	
2975 Cfm	EAT (wb)	58	TC	95.3	95.3	107.9	90.7	90.7	102.7	84.8	84.8	96.1	78.7	78.7	89.1
			SHC	82.6	95.3	107.9	78.6	90.7	102.7	73.5	84.8	96.1	68.2	78.7	89.1
		62	TC	97.9	97.9	107.8	92.1	92.1	104.7	85.4	85.4	99.4	78.8	78.8	92.8
			SHC	76.7	92.2	107.8	73.9	89.3	104.7	69.6	84.5	99.4	64.8	78.8	92.8
		67	TC	108.5	108.5	108.5	102.6	102.6	102.6	95.4	95.4	95.4	86.9	86.9	86.9
	SHC		62.8	78.4	94.1	60.4	76.0	91.7	57.4	73.1	88.8	54.0	69.7	85.3	
	72	TC	119.1	119.1	119.1	113.5	113.5	113.5	107.2	107.2	107.2	99.2	99.2	99.2	
		SHC	47.9	63.5	79.2	45.8	61.5	77.1	43.5	59.2	74.9	40.6	56.3	72.0	
	76	TC	-	126.4	126.4	-	120.8	120.8	-	114.8	114.8	-	108.2	108.2	
		SHC	-	51.1	67.4	-	49.2	65.3	-	47.0	63.0	-	44.8	60.7	
3400 Cfm	EAT (wb)	58	TC	100.0	100.0	113.3	95.2	95.2	107.9	89.3	89.3	101.1	82.9	82.9	93.9
			SHC	86.7	100.0	113.3	82.6	95.2	107.9	77.4	89.3	101.1	71.8	82.9	93.9
		62	TC	101.1	101.1	115.8	95.7	95.7	111.7	89.4	89.4	105.3	83.0	83.0	97.7
			SHC	81.5	98.7	115.8	78.2	94.9	111.7	73.5	89.4	105.3	68.2	83.0	97.7
		67	TC	111.1	111.1	111.1	105.1	105.1	105.1	97.8	97.8	97.8	89.1	89.1	93.0
	SHC		66.2	83.9	101.6	63.9	81.6	99.3	61.0	78.7	96.5	57.5	75.3	93.0	
	72	TC	121.3	121.3	121.3	115.6	115.6	115.6	109.4	109.4	109.4	101.5	101.5	101.5	
		SHC	49.2	66.7	84.3	47.1	64.7	82.3	44.9	62.5	80.2	42.1	59.9	77.7	
	76	TC	-	128.3	128.3	-	122.6	122.6	-	116.3	116.3	-	109.7	109.7	
		SHC	-	52.7	70.7	-	50.7	68.6	-	48.6	66.4	-	46.4	64.2	
3825 Cfm	EAT (wb)	58	TC	104.0	104.0	117.8	99.1	99.1	112.3	93.2	93.2	105.5	86.5	86.5	97.9
			SHC	90.2	104.0	117.8	86.0	99.1	112.3	80.8	93.2	105.5	75.0	86.5	97.9
		62	TC	104.2	104.2	122.7	99.3	99.3	116.9	93.3	93.3	109.8	86.6	86.6	101.9
			SHC	85.7	104.2	122.7	81.7	99.3	116.9	76.7	93.3	109.8	71.2	86.6	101.9
		67	TC	113.1	113.1	113.1	107.1	107.1	107.1	99.9	99.9	103.8	91.0	91.0	100.3
	SHC		69.4	89.1	108.8	67.1	86.8	106.5	64.3	84.1	103.8	60.9	80.6	100.3	
	72	TC	123.0	123.0	123.0	117.2	117.2	117.2	110.9	110.9	110.9	103.3	103.3	103.3	
		SHC	50.3	69.7	89.0	48.3	67.7	87.1	46.1	65.6	85.2	43.5	63.3	83.0	
	76	TC	-	129.7	129.7	-	124.0	124.0	-	117.5	117.5	-	110.8	110.8	
		SHC	-	54.0	73.7	-	52.1	71.7	-	50.0	69.5	-	47.8	67.4	
4250 Cfm	EAT (wb)	58	TC	107.4	107.4	121.7	102.5	102.5	116.1	96.5	96.5	109.3	89.5	89.5	101.4
			SHC	93.1	107.4	121.7	88.9	102.5	116.1	83.7	96.5	109.3	77.6	89.5	101.4
		62	TC	107.5	107.5	126.6	102.6	102.6	120.8	96.6	96.6	113.7	89.6	89.6	105.5
			SHC	88.4	107.5	126.6	84.4	102.6	120.8	79.5	96.6	113.7	73.7	89.6	105.5
		67	TC	114.7	114.7	115.6	108.7	108.7	113.5	101.7	101.7	110.8	92.6	92.6	107.2
	SHC		72.5	94.0	115.6	70.2	91.8	113.5	67.5	89.2	110.8	64.0	85.6	107.2	
	72	TC	124.3	124.3	124.3	118.5	118.5	118.5	112.1	112.1	112.1	104.7	104.7	104.7	
		SHC	51.3	72.4	93.4	49.3	70.5	91.7	47.2	68.5	89.9	44.7	66.4	88.1	
	76	TC	-	130.7	130.7	-	125.0	125.0	-	118.5	118.5	-	111.6	111.6	
		SHC	-	55.3	76.5	-	53.5	74.6	-	51.3	72.4	-	49.2	70.3	

\* See Minimum–Maximum Airflow Ratings in Table 3. Do not operate outside these limits.

LEGEND:

- Do not operate in this region
- Cfm - Cubic feet per minute (supply air)
- EAT(db) - Entering air temperature (dry bulb)
- EAT(wb) - Entering air temperature (wet bulb)
- SHC - Sensible heat capacity
- TC - Total capacity

50TC09 COOLING CAPACITIES, UNIT WITH HUMIDI-MIZER SYSTEM IN SUBCOOLING MODE										
TEMP (F) AIR ENT CONDENSER (Edb)		AIR ENTERING EVAPORATOR – CFM								
		2550/0.04			3400/0.05			4250/0.07		
		Air Entering Evaporator – Ewb (F)								
		72	67	62	72	67	62	72	67	62
75	TC	119.20	107.44	96.41	126.95	114.98	103.92	131.87	119.81	109.54
	SHC	50.63	63.94	77.40	59.17	76.72	94.21	66.80	88.44	108.22
	kW	5.67	5.57	5.47	5.54	5.63	5.74	5.79	5.68	5.59
85	TC	110.40	99.22	88.76	117.63	106.26	95.77	122.21	110.77	101.07
	SHC	42.39	56.16	70.07	50.42	68.45	86.38	57.71	79.86	99.95
	kW	6.33	6.23	6.14	6.20	6.30	6.40	6.45	6.34	6.25
95	TC	101.37	90.79	80.86	108.07	97.31	87.39	112.29	101.47	92.38
	SHC	33.97	48.22	62.56	41.46	60.01	78.39	48.40	71.09	91.47
	kW	7.08	6.99	6.90	6.96	7.05	7.16	7.20	7.09	7.01
105	TC	92.04	82.06	72.71	98.19	88.05	78.72	102.07	91.86	83.40
	SHC	25.31	40.06	54.88	32.24	51.33	70.17	38.85	62.06	82.67
	kW	7.94	7.85	7.77	7.83	7.91	8.01	8.06	7.95	7.87
115	TC	82.37	73.01	64.24	87.95	78.45	69.73	91.46	81.90	74.09
	SHC	16.38	31.65	46.95	22.71	42.37	61.69	28.94	52.74	73.52
	kW	8.92	8.84	8.77	8.82	8.89	8.98	9.02	8.93	8.86

50TC09 COOLING CAPACITIES, UNIT WITH HUMIDI-MIZER SYSTEM IN HOT GAS REHEAT MODE										
TEMP (F) AIR ENT CONDENSER (Edb)		AIR ENTERING EVAPORATOR – Ewb (F)								
		75 Dry Bulb 62.5 Wet Bulb (50% Relative)			75 Dry Bulb 64 Wet Bulb (56% Relative)			75 Dry Bulb 65.3 Wet Bulb (60% Relative)		
		Air Entering Evaporator – Cfm								
		2550	3400	4250	2550	3400	4250	2550	3400	4250
80	TC	37.61	33.13	26.77	44.74	41.60	36.46	50.96	48.99	44.93
	SHC	-0.52	-0.63	-0.73	-0.46	-0.57	-0.67	-0.42	-0.53	-0.62
	kW	5.88	5.68	5.44	6.13	5.97	5.76	6.35	6.24	6.06
75	TC	38.71	34.24	27.86	45.84	42.73	37.59	52.05	50.11	46.06
	SHC	0.45	0.34	0.25	0.50	0.40	0.31	0.54	0.44	0.36
	kW	5.68	5.47	5.22	5.94	5.78	5.56	6.18	6.07	5.88
70	TC	39.70	35.25	28.83	46.80	43.70	38.59	52.97	51.04	47.02
	SHC	1.41	1.32	1.23	1.47	1.37	1.29	1.50	1.41	1.34
	kW	5.65	5.42	5.24	5.97	5.79	5.53	6.26	6.13	5.91
60	TC	41.77	37.33	30.76	48.86	45.80	40.71	55.00	53.10	49.12
	SHC	3.34	3.26	3.18	3.40	3.32	3.25	3.43	3.36	3.29
	kW	5.42	5.15	5.17	5.80	5.59	5.30	6.16	6.01	5.75
50	TC	43.83	39.27	32.61	50.92	47.89	42.70	57.04	55.16	51.22
	SHC	5.27	5.21	5.14	5.32	5.27	5.21	5.36	5.31	5.25
	kW	5.18	5.15	5.17	5.62	5.39	5.05	6.04	5.87	5.59
40	TC	45.75	41.13	34.50	53.08	50.00	44.64	59.24	57.40	53.44
	SHC	7.20	7.15	6.95	7.26	7.21	7.16	7.29	7.25	7.21
	kW	4.79	4.98	4.80	5.25	5.01	5.23	5.68	5.51	5.21

**LEGEND**

- Edb** – Entering Dry–Bulb
- Ewb** – Entering Wet–Bulb
- kW** – Compressor Motor Power Input
- ldb** – Leaving Dry–Bulb
- lwb** – Leaving Wet–Bulb
- SHC** – Sensible Heat Capacity (1000 Btuh) Gross
- TC** – Total Capacity (1000 Btuh) Gross

**NOTES:**

1. Direct interpolation is permissible. Do not extrapolate.
2. The following formulas may be used:

$$t_{ldb} = t_{edb} - \frac{\text{sensible capacity (Btuh)}}{1.10 \times \text{cfm}}$$

$t_{lwb}$  = Wet–bulb temperature corresponding to enthalpy of air leaving evaporator coil ( $h_{lwb}$ )

$$h_{lwb} = h_{ewb} - \frac{\text{total capacity (Btuh)}}{4.5 \times \text{cfm}}$$

Where:  $h_{ewb}$  = Enthalpy of air entering evaporator coil

Table 6 - COOLING CAPACITIES (cont.)

1-STAGE COOLING

10 TONS

50TC*A12 (RTPF)			AMBIENT TEMPERATURE												
			85			95			105			115			
			EAT (db)			EAT (db)			EAT (db)			EAT (db)			
			75	80	85	75	80	85	75	80	85	75	80	85	
3000 Cfm	EAT (wb)	58	TC	106.3	106.3	120.5	101.7	101.7	115.2	96.6	96.6	109.4	91.0	91.0	103.1
			SHC	92.2	106.3	120.5	88.2	101.7	115.2	83.8	96.6	109.4	78.9	91.0	103.1
		62	TC	112.5	112.5	115.2	106.5	106.5	112.3	99.9	99.9	109.0	92.7	92.7	105.2
			SHC	83.8	99.5	115.2	81.0	96.6	112.3	77.8	93.4	109.0	74.2	89.7	105.2
		67	TC	123.5	123.5	123.5	117.8	117.8	117.8	111.3	111.3	111.3	104.0	104.0	104.0
		SHC	69.2	85.0	100.7	66.8	82.5	98.3	64.1	79.8	95.5	61.0	76.8	92.5	
		72	TC	134.3	134.3	134.3	128.5	128.5	128.5	122.0	122.0	122.0	114.7	114.7	114.7
		SHC	53.8	69.6	85.5	51.6	67.4	83.2	49.1	64.9	80.7	46.3	62.1	77.9	
		76	TC	-	142.4	142.4	-	136.3	136.3	-	129.5	129.5	-	121.8	121.8
		SHC	-	56.8	73.3	-	54.7	71.2	-	52.3	68.8	-	49.7	66.2	
3500 Cfm	EAT (wb)	58	TC	112.9	112.9	127.8	108.0	108.0	122.3	102.7	102.7	116.3	96.8	96.8	109.7
			SHC	97.9	112.9	127.8	93.6	108.0	122.3	89.0	102.7	116.3	83.9	96.8	109.7
		62	TC	116.3	116.3	126.2	110.5	110.5	123.3	103.8	103.8	119.5	97.1	97.1	114.3
			SHC	90.2	108.2	126.2	87.4	105.3	123.3	84.0	101.8	119.5	79.8	97.1	114.3
		67	TC	126.9	126.9	126.9	120.9	120.9	120.9	114.3	114.3	114.3	106.8	106.8	106.8
		SHC	73.2	91.3	109.4	70.8	88.9	107.1	68.1	86.2	104.4	65.0	83.2	101.3	
		72	TC	137.5	137.5	137.5	131.4	131.4	131.4	124.7	124.7	124.7	117.2	117.2	117.2
		SHC	55.3	73.4	91.5	53.1	71.1	89.2	50.6	68.7	86.7	47.8	65.9	83.9	
		76	TC	-	145.1	145.1	-	138.8	138.8	-	131.7	131.7	-	123.6	123.6
		SHC	-	59.0	78.2	-	56.7	75.8	-	54.3	73.1	-	51.5	70.0	
4000 Cfm	EAT (wb)	58	TC	117.8	117.8	133.5	113.0	113.0	128.0	107.5	107.5	121.8	101.5	101.5	115.0
			SHC	102.2	117.8	133.5	98.0	113.0	128.0	93.3	107.5	121.8	88.0	101.5	115.0
		62	TC	119.1	119.1	136.0	113.5	113.5	132.5	107.7	107.7	126.7	101.6	101.6	119.6
			SHC	95.8	115.9	136.0	92.8	112.6	132.5	88.6	107.7	126.7	83.6	101.6	119.6
		67	TC	129.4	129.4	129.4	123.3	123.3	123.3	116.5	116.5	116.5	108.9	108.9	109.8
		SHC	76.9	97.3	117.7	74.5	95.0	115.4	71.8	92.3	112.8	68.8	89.3	109.8	
		72	TC	139.7	139.7	139.7	133.5	133.5	133.5	126.6	126.6	126.6	118.8	118.8	118.8
		SHC	56.7	76.8	97.0	54.4	74.6	94.7	51.9	72.1	92.3	49.1	69.3	89.5	
		76	TC	-	147.0	147.0	-	140.5	140.5	-	133.2	133.2	-	124.9	124.9
		SHC	-	60.6	81.7	-	58.4	79.3	-	55.8	76.5	-	53.0	73.5	
4500 Cfm	EAT (wb)	58	TC	121.7	121.7	137.9	116.8	116.8	132.3	111.2	111.2	126.0	105.0	105.0	118.9
			SHC	105.6	121.7	137.9	101.3	116.8	132.3	96.4	111.2	126.0	91.0	105.0	118.9
		62	TC	121.8	121.8	143.4	116.9	116.9	137.6	111.3	111.3	131.0	105.1	105.1	123.7
			SHC	100.2	121.8	143.4	96.1	116.9	137.6	91.6	111.3	131.0	86.5	105.1	123.7
		67	TC	131.3	131.3	131.3	125.1	125.1	125.1	118.2	118.2	120.8	110.5	110.5	117.7
		SHC	80.3	102.9	125.5	78.0	100.7	123.3	75.3	98.0	120.8	72.3	95.0	117.7	
		72	TC	141.5	141.5	141.5	135.1	135.1	135.1	128.0	128.0	128.0	120.1	120.1	120.1
		SHC	57.9	80.0	102.1	55.6	77.7	99.9	53.1	75.2	97.4	50.3	72.4	94.6	
		76	TC	-	148.3	148.3	-	141.8	141.8	-	134.3	134.3	-	125.8	125.8
		SHC	-	62.1	84.9	-	59.8	82.5	-	57.3	79.7	-	54.4	76.6	
5000 Cfm	EAT (wb)	58	TC	125.0	125.0	141.6	120.0	120.0	135.9	114.3	114.3	129.5	107.9	107.9	122.3
			SHC	108.4	125.0	141.6	104.0	120.0	135.9	99.1	114.3	129.5	93.6	107.9	122.3
		62	TC	125.1	125.1	147.2	120.1	120.1	141.4	114.4	114.4	134.7	108.0	108.0	127.2
			SHC	102.9	125.1	147.2	98.8	120.1	141.4	94.1	114.4	134.7	88.9	108.0	127.2
		67	TC	132.8	132.8	133.0	126.5	126.5	130.8	119.6	119.6	128.2	111.8	111.8	125.1
		SHC	83.6	108.3	133.0	81.2	106.0	130.8	78.6	103.4	128.2	75.6	100.3	125.1	
		72	TC	142.8	142.8	142.8	136.3	136.3	136.3	129.1	129.1	129.1	121.1	121.1	121.1
		SHC	59.0	82.9	106.9	56.7	80.7	104.7	54.1	78.2	102.2	51.3	75.4	99.4	
		76	TC	-	149.4	149.4	-	142.8	142.8	-	135.1	135.1	-	126.5	126.5
		SHC	-	63.4	87.9	-	61.2	85.5	-	58.6	82.7	-	55.6	79.4	

LEGEND:

- Do not operate in this region
- Cfm - Cubic feet per minute (supply air)
- EAT(db) - Entering air temperature (dry bulb)
- EAT(wb) - Entering air temperature (wet bulb)
- SHC - Sensible heat capacity
- TC - Total capacity

Table 6 - COOLING CAPACITIES (cont.)

2-STAGE COOLING

10 TONS

50TC*D12 (RTPF & Novation)			AMBIENT TEMPERATURE													
			85			95			105			115				
			EAT (db)			EAT (db)			EAT (db)			EAT (db)				
			75	80	85	75	80	85	75	80	85	75	80	85		
3000 Cfm	EAT (wb)	58	TC	107.6	107.6	121.9	102.5	102.5	116.2	96.8	96.8	109.7	90.5	90.5	102.6	
			SHC	93.2	107.6	121.9	88.8	102.5	116.2	83.9	96.8	109.7	78.4	90.5	102.6	
		62	TC	113.6	113.6	116.5	107.1	107.1	113.4	99.7	99.7	109.8	91.8	91.8	104.9	
			SHC	84.6	100.6	116.5	81.5	97.4	113.4	78.0	93.9	109.8	73.7	89.3	104.9	
		67	TC	124.4	124.4	124.4	118.4	118.4	118.4	111.5	111.5	111.5	103.3	103.3	103.3	
		SHC	69.7	85.7	101.7	67.1	83.2	99.2	64.3	80.3	96.3	60.8	76.8	92.8		
		72	TC	135.8	135.8	135.8	129.7	129.7	129.7	122.8	122.8	122.8	115	115	115	
			SHC	54.3	70.4	86.6	52.0	68.1	84.2	49.3	65.4	81.6	46.4	62.5	78.6	
			76	TC	-	145.3	145.3	-	139	139	-	131.9	131.9	-	124.1	124.1
				SHC	-	57.8	74.3	-	55.6	72.1	-	53.1	69.6	-	50.4	66.9
3500 Cfm	EAT (wb)	58	TC	114.2	114.2	129.4	108.9	108.9	123.4	102.9	102.9	116.6	96.3	96.3	109.1	
			SHC	98.9	114.2	129.4	94.3	108.9	123.4	89.1	102.9	116.6	83.4	96.3	109.1	
		62	TC	117.2	117.2	127.9	111.0	111.0	124.7	104.0	104.0	119.5	96.5	96.5	113.7	
			SHC	91.1	109.5	127.9	88.1	106.4	124.7	83.9	101.7	119.5	79.3	96.5	113.7	
		67	TC	127.8	127.8	127.8	121.7	121.7	121.7	114.5	114.5	114.5	106.6	106.6	106.6	
		SHC	73.8	92.3	110.8	71.3	89.8	108.3	68.4	87.0	105.5	65.2	83.8	102.3		
		72	TC	139.4	139.4	139.4	133.0	133.0	133	125.8	125.8	125.8	117.9	117.9	117.9	
			SHC	56.0	74.6	93.1	53.7	72.2	90.8	51.0	69.6	88.2	48.1	66.7	85.4	
			76	TC	-	148.8	148.8	-	142.2	142.2	-	134.9	134.9	-	126.8	126.8
				SHC	-	60.2	79.5	-	58.0	77.1	-	55.4	74.5	-	52.7	71.6
4000 Cfm	EAT (wb)	58	TC	119.0	119.0	134.9	114.0	114.0	129.2	108.0	108.0	122.4	101.1	101.1	114.6	
			SHC	103.1	119.0	134.9	98.7	114.0	129.2	93.6	108.0	122.4	87.6	101.1	114.6	
		62	TC	120.3	120.3	137.1	114.7	114.7	132.8	108.2	108.2	127.5	101.3	101.3	119.3	
			SHC	96.5	116.8	137.1	93.0	112.9	132.8	88.9	108.2	127.5	83.2	101.3	119.3	
		67	TC	130.5	130.5	130.5	124.1	124.1	124.1	116.8	116.8	116.8	108.7	108.7	111.1	
		SHC	77.7	98.6	119.5	75.2	96.2	117.2	72.3	93.3	114.4	69.1	90.1	111.1		
		72	TC	142.1	142.1	142.1	135.5	135.5	135.5	128.2	128.2	128.2	120.0	120.0	120.0	
			SHC	57.6	78.4	99.3	55.2	76.1	97.1	52.5	73.6	94.6	49.7	70.7	91.8	
			76	TC	-	151.4	151.4	-	144.7	144.7	-	137.1	137.1	-	-	-
				SHC	-	62.3	83.8	-	60.0	81.4	-	57.5	78.8	-	-	-
4500 Cfm	EAT (wb)	58	TC	123.0	123.0	139.5	117.8	117.8	133.6	111.9	111.9	126.9	105.3	105.3	119.3	
			SHC	106.6	123.0	139.5	102.1	117.8	133.6	97.0	111.9	126.9	91.2	105.3	119.3	
		62	TC	123.4	123.4	144.4	117.9	117.9	139.0	112.0	112.0	132.0	105.4	105.4	124.2	
			SHC	100.9	122.7	144.4	96.9	117.9	139	92.1	112.0	132	86.6	105.4	124.2	
		67	TC	132.6	132.6	132.6	126.0	126	126.0	118.7	118.7	122.9	110.4	110.4	119.6	
		SHC	81.4	104.6	127.9	78.9	102.3	125.7	76.1	99.5	122.9	72.9	96.2	119.6		
		72	TC	144.2	144.2	144.2	137.4	137.4	137.4	129.9	129.9	129.9	121.6	121.6	121.6	
			SHC	59.0	82.1	105.2	56.6	79.8	103.1	54.0	77.3	100.7	51.1	74.5	98	
			76	TC	-	153.4	153.4	-	146.6	146.6	-	138.9	138.9	-	-	-
				SHC	-	64.1	87.8	-	61.9	85.6	-	59.4	83	-	-	-
5000 Cfm	EAT (wb)	58	TC	126.5	126.5	143.3	121.2	121.2	137.4	115.1	115.1	130.5	108.4	108.4	122.8	
			SHC	109.6	126.5	143.3	105.0	121.2	137.4	99.8	115.1	130.5	93.9	108.4	122.8	
		62	TC	126.5	126.5	149.1	121.3	121.3	142.9	115.2	115.2	135.8	108.5	108.5	127.8	
			SHC	104.0	126.5	149.1	99.7	121.3	142.9	94.7	115.2	135.8	89.1	108.5	127.8	
		67	TC	134.2	134.2	135.9	127.5	127.5	133.8	120.1	120.1	131.0	111.9	111.9	127.6	
		SHC	84.9	110.4	135.9	82.4	108.1	133.8	79.6	105.3	131	76.4	102.0	127.6		
		72	TC	145.8	145.8	145.8	139.0	139.0	139.0	131.3	131.3	131.3	122.9	122.9	122.9	
			SHC	60.3	85.6	110.8	57.9	83.4	108.9	55.3	81.0	106.6	52.5	78.2	104	
			76	TC	-	155.1	155.1	-	148.2	148.2	-	-	-	-	-	
				SHC	-	65.9	91.5	-	63.7	89.5	-	-	-	-	-	

\* See Minimum–Maximum Airflow Ratings in Table 3. Do not operate outside these limits.

LEGEND:

- Do not operate in this region
- Cfm - Cubic feet per minute (supply air)
- EAT(db) - Entering air temperature (dry bulb)
- EAT(wb) - Entering air temperature (wet bulb)
- SHC - Sensible heat capacity
- TC - Total capacity

50TC12 COOLING CAPACITIES, UNIT WITH HUMIDI-MIZER SYSTEM IN SUBCOOLING MODE										
TEMP (F) AIR ENT CONDENSER (Edb)		AIR ENTERING EVAPORATOR – CFM								
		3000/0.04			4000/0.06			5000/0.07		
		Air Entering Evaporator – Ewb (F)								
		72	67	62	72	67	62	72	67	62
75	TC	142.85	129.44	116.93	152.09	138.44	125.76	157.99	144.23	132.06
	SHC	58.38	74.88	91.58	67.96	89.45	111.02	76.63	102.94	127.93
	kW	7.19	6.97	6.79	6.92	7.12	7.35	7.45	7.22	7.02
85	TC	132.33	119.68	107.86	140.92	128.03	116.10	146.41	133.41	121.98
	SHC	48.44	65.56	82.83	57.37	79.50	101.68	65.65	92.58	118.12
	kW	7.98	7.77	7.58	7.72	7.92	8.14	8.25	8.01	7.82
95	TC	121.41	109.52	98.43	129.35	117.22	106.04	134.43	122.20	111.50
	SHC	38.19	55.92	73.78	46.47	69.22	92.01	54.34	81.92	107.96
	kW	8.87	8.66	8.48	8.61	8.80	9.03	9.14	8.90	8.71
105	TC	110.04	98.92	88.56	117.27	105.94	95.53	121.88	110.46	100.54
	SHC	27.59	45.94	64.39	35.16	58.57	81.98	42.56	70.82	97.40
	kW	9.86	9.66	9.48	9.61	9.79	10.02	10.12	9.89	9.70
115	TC	98.09	87.74	78.13	104.62	94.08	84.45	108.76	98.13	89.01
	SHC	16.52	35.47	54.53	23.37	47.44	71.46	30.32	59.25	86.31
	kW	10.95	10.76	10.60	10.72	10.89	11.10	11.19	10.98	10.81

50TC12 COOLING CAPACITIES, UNIT WITH HUMIDI-MIZER SYSTEM IN HOT GAS REHEAT MODE										
TEMP (F) AIR ENT CONDENSER (Edb)		AIR ENTERING EVAPORATOR – Ewb (F)								
		75 Dry Bulb 62.5 Wet Bulb (50% Relative)			75 Dry Bulb 64 Wet Bulb (56% Relative)			75 Dry Bulb 65.3 Wet Bulb (60% Relative)		
		Air Entering Evaporator – Cfm								
		3000	4000	5000	3000	4000	5000	3000	4000	5000
80	TC	44.78	39.41	31.89	53.22	49.44	43.38	60.56	58.12	53.32
	SHC	-0.44	-0.57	-0.69	-0.37	-0.51	-0.61	-0.33	-0.46	-0.56
	kW	6.96	6.77	6.52	7.26	7.13	6.91	7.54	7.45	7.27
75	TC	45.84	40.46	32.86	54.28	50.51	44.45	61.61	59.19	54.40
	SHC	0.53	0.40	0.29	0.60	0.47	0.37	0.64	0.52	0.42
	kW	6.77	6.56	6.29	7.11	6.95	6.72	7.41	7.31	7.12
70	TC	46.91	41.48	33.50	55.36	51.59	45.50	62.69	60.28	55.49
	SHC	1.51	1.38	1.27	1.57	1.45	1.35	1.61	1.50	1.40
	kW	6.54	6.32	6.02	6.90	6.74	6.49	7.23	7.13	6.92
60	TC	48.88	43.42	35.76	57.29	53.56	47.48	64.56	62.16	57.42
	SHC	3.44	3.34	3.24	3.51	3.40	3.31	3.55	3.45	3.37
	kW	6.45	6.16	6.70	6.93	6.72	6.39	7.38	7.24	6.96
50	TC	50.83	45.28	37.67	59.22	55.52	49.43	66.05	64.03	59.34
	SHC	5.38	5.29	5.20	5.45	5.36	5.28	5.48	5.40	5.33
	kW	6.46	6.01	6.34	6.98	6.71	6.29	8.15	7.38	7.02
40	TC	52.82	47.29	39.50	61.14	57.48	51.39	68.23	65.88	61.25
	SHC	7.32	7.24	7.20	7.38	7.31	7.24	7.43	7.36	7.29
	kW	6.29	6.09	6.12	7.05	6.72	6.29	7.78	7.55	7.10

**LEGEND**

- Edb** – Entering Dry-Bulb
- Ewb** – Entering Wet-Bulb
- kW** – Compressor Motor Power Input
- ldb** – Leaving Dry-Bulb
- lwb** – Leaving Wet-Bulb
- SHC** – Sensible Heat Capacity (1000 Btuh) Gross
- TC** – Total Capacity (1000 Btuh) Gross

**NOTES:**

1. Direct interpolation is permissible. Do not extrapolate.
2. The following formulas may be used:

$$t_{ldb} = t_{edb} - \frac{\text{sensible capacity (Btuh)}}{1.10 \times \text{cfm}}$$

$$t_{lwb} = \text{Wet-bulb temperature corresponding to enthalpy of air leaving evaporator coil } (h_{lwb})$$

$$h_{lwb} = h_{ewb} - \frac{\text{total capacity (Btuh)}}{4.5 \times \text{cfm}}$$

Where:  $h_{ewb}$  = Enthalpy of air entering evaporator coil

Table 6 - COOLING CAPACITIES (cont.)

2-STAGE COOLING

12.5 TONS

50TC*D14 (RTPF & Novation)			AMBIENT TEMPERATURE												
			85			95			105			115			
			EAT (db)			EAT (db)			EAT (db)			EAT (db)			
			75	80	85	75	80	85	75	80	85	75	80	85	
3600 Cfm	EAT (wb)	58	TC	127.6	127.6	142.9	121.7	121.7	137.6	115.0	115.0	130	108.3	108.3	122.6
			SHC	110.3	126.6	142.9	105.8	121.7	137.6	99.9	115.0	130	94.1	108.3	122.6
		62	TC	136.1	136.1	136.1	131.1	131.1	131.1	123.8	123.8	124.5	114.9	114.9	120.3
			SHC	96.6	112.8	129.0	94.7	111.2	127.7	91.4	108.0	124.5	87.3	103.8	120.3
		67	TC	146.2	146.2	146.2	142.0	142.0	142.0	136.2	136.2	136.2	128.8	128.8	128.8
		SHC	78.5	94.4	110.3	76.9	93.1	109.2	74.7	91.0	107.3	71.7	88.1	104.6	
		72	TC	155.9	155.9	155.9	152.4	152.4	152.4	147.2	147.2	147.2	140.1	140.1	140.1
		SHC	60.1	76.6	93.2	58.7	75.2	91.7	56.8	73.3	89.7	54.2	70.6	87.0	
		76	TC	-	163.0	163	-	160.0	160	-	155.1	155.1	-	148.2	148.2
		SHC	-	62.0	81.8	-	61.1	80.9	-	59.5	79.3	-	57.0	76.3	
4200 Cfm	EAT (wb)	58	TC	132.2	132.2	149.5	128.2	128.2	144.9	121.9	121.9	137.8	115.0	115.0	130.1
			SHC	115.0	132.2	149.5	111.5	128.2	144.9	106.0	121.9	137.8	99.9	115.0	130.1
		62	TC	139.6	139.6	139.6	134.7	134.7	138	128.0	128.0	135.6	119.1	119.1	131.2
			SHC	102.5	120.8	139	100.8	119.4	138	98.1	116.8	135.6	93.9	112.6	131.2
		67	TC	149.5	149.5	149.5	145.4	145.4	145.4	139.6	139.6	139.6	132.1	132.1	132.1
		SHC	81.8	99.6	117.4	80.6	98.7	116.8	78.5	96.9	115.2	75.7	94.3	112.8	
		72	TC	159.0	159.0	159.0	155.5	155.5	155.5	150.3	150.3	150.3	143.1	143.1	143.1
		SHC	61.4	79.6	97.8	60.2	78.5	96.8	58.3	76.7	95	55.8	74.2	92.5	
		76	TC	-	165.7	165.7	-	162.8	162.8	-	157.8	157.8	-	150.8	150.8
		SHC	-	64.6	87.7	-	63.5	86.3	-	61.5	83.3	-	58.9	79.9	
4800 Cfm	EAT (wb)	58	TC	136.7	136.7	154.5	133.0	133.0	150.3	127.7	127.7	144.3	120.6	120.6	136.4
			SHC	118.9	136.7	154.5	115.7	133.0	150.3	111.0	127.7	144.3	104.9	120.6	136.4
		62	TC	142.2	142.2	147.8	137.4	137.4	147.1	131.0	131.0	144.7	122.8	122.8	140.3
			SHC	107.7	127.8	147.8	106.2	126.7	147.1	103.6	124.2	144.7	99.3	119.8	140.3
		67	TC	152.1	152.1	152.1	148.0	148	148	142.2	142.2	142.2	134.6	134.6	134.6
		SHC	84.8	104.3	123.7	83.8	103.8	123.7	82.0	102.3	122.6	79.4	99.9	120.4	
		72	TC	161.3	161.3	161.3	157.8	157.8	157.8	152.5	152.5	152.5	145.4	145.4	145.4
		SHC	62.6	82.2	101.9	61.4	81.4	101.3	59.7	79.7	99.8	57.2	77.3	97.5	
		76	TC	-	167.7	167.7	-	164.9	164.9	-	159.9	159.9	-	152.8	152.8
		SHC	-	66.4	91.4	-	65	89.2	-	63.1	86.4	-	60.5	83.1	
5400 Cfm	EAT (wb)	58	TC	140.5	140.5	158.8	136.9	136.9	154.7	131.8	131.8	149	125.2	125.2	141.6
			SHC	122.2	140.5	158.8	119	136.9	154.7	114.7	131.8	149	108.9	125.2	141.6
		62	TC	144.3	144.3	155.7	139.6	139.6	155	133.5	133.5	152.4	125.8	125.8	147.8
			SHC	112.2	133.9	155.7	110.9	132.9	155	108.1	130.2	152.4	103.9	125.8	147.8
		67	TC	154.2	154.2	154.2	150.0	150.0	150.0	144.2	144.2	144.2	136.7	136.7	136.7
		SHC	87.6	108.6	129.6	86.8	108.5	130.1	85.2	107.3	129.4	82.8	105.1	127.4	
		72	TC	163.1	163.1	163.1	159.7	159.7	159.7	154.3	154.3	154.3	147.1	147.1	147.1
		SHC	63.6	84.6	105.6	62.5	83.9	105.4	60.8	82.5	104.2	58.4	80.2	102	
		76	TC	-	169.3	169.3	-	166.5	166.5	-	161.5	161.5	-	154.2	154.2
		SHC	-	67.6	93.7	-	66.4	91.7	-	64.5	89.2	-	61.9	86.1	
6000 Cfm	EAT (wb)	58	TC	143.6	143.6	162.3	140.1	140.1	158.3	135.1	135.1	152.7	128.7	128.7	145.5
			SHC	124.9	143.6	162.3	121.8	140.1	158.3	117.5	135.1	152.7	111.9	128.7	145.5
		62	TC	146.1	146.1	162.4	141.7	141.7	161.5	135.6	135.6	159.2	128.8	128.8	151.2
			SHC	116.1	139.3	162.4	114.7	138.1	161.5	112.1	135.6	159.2	106.4	128.8	151.2
		67	TC	155.8	155.8	155.8	151.6	151.6	151.6	145.9	145.9	145.9	138.3	138.3	138.3
		SHC	90.1	112.6	135	89.6	112.8	136	88.3	112.0	135.8	85.9	110.0	134.1	
		72	TC	164.5	164.5	164.5	161.2	161.2	161.2	155.8	155.8	155.8	148.5	148.5	148.5
		SHC	64.5	86.7	108.9	63.5	86.3	109.1	61.9	85.1	108.2	59.6	82.9	106.3	
		76	TC	-	170.6	170.6	-	167.8	167.8	-	162.8	162.8	-	155.5	155.5
		SHC	-	68.7	95.8	-	67.5	94.1	-	65.7	91.8	-	63.3	88.8	

\* See Minimum–Maximum Airflow Ratings in Table 3. Do not operate outside these limits.

LEGEND:

- Do not operate in this region
- Cfm - Cubic feet per minute (supply air)
- EAT(db) - Entering air temperature (dry bulb)
- EAT(wb) - Entering air temperature (wet bulb)
- SHC - Sensible heat capacity
- TC - Total capacity

**Table 6 - COOLING CAPACITIES (cont.) 2-STAGE COOLING**

**12.5 TONS**

<b>50TC14 COOLING CAPACITIES, UNIT WITH HUMIDI-MIZER SYSTEM IN SUBCOOLING MODE</b>										
<b>TEMP (F) AIR ENT CONDENSER (Edb)</b>		<b>AIR ENTERING EVAPORATOR – CFM</b>								
		<b>3750/0.02</b>			<b>5000/0.06</b>			<b>6250/0.05</b>		
		<b>Air Entering Evaporator – Ewb (F)</b>								
		<b>72</b>	<b>67</b>	<b>62</b>	<b>72</b>	<b>67</b>	<b>62</b>	<b>72</b>	<b>67</b>	<b>62</b>
75	TC	183.66	166.86	151.43	194.90	177.83	162.05	201.97	184.84	170.53
	SHC	79.39	100.52	121.91	91.70	119.42	147.05	102.94	137.00	166.71
	kW	9.82	9.63	9.46	9.58	9.76	9.96	10.04	9.84	9.67
85	TC	172.71	156.78	142.09	183.32	167.13	152.17	189.98	173.73	160.25
	SHC	69.03	90.92	112.95	80.69	109.17	137.51	91.49	126.33	156.65
	kW	10.82	10.63	10.45	10.57	10.76	10.96	11.04	10.84	10.67
95	TC	161.37	146.24	132.38	171.36	156.04	141.86	177.62	162.22	149.50
	SHC	58.44	81.04	103.77	69.42	98.67	127.71	79.83	115.45	146.15
	kW	11.92	11.73	11.56	11.68	11.86	12.05	12.14	11.93	11.77
105	TC	149.57	135.32	122.21	158.89	144.45	131.10	164.74	150.27	138.35
	SHC	47.57	70.92	94.32	57.85	87.91	117.61	67.79	104.26	135.30
	kW	13.12	12.94	12.77	12.89	13.06	13.24	13.32	13.13	12.97
115	TC	137.22	123.88	111.55	145.85	132.33	119.84	151.27	137.71	126.67
	SHC	36.31	60.47	84.57	45.87	76.77	107.19	55.34	92.66	123.98
	kW	14.41	14.25	14.10	14.20	14.35	14.53	14.59	14.42	14.28

<b>50 TC14 COOLING CAPACITIES, UNIT WITH HUMIDI-MIZER SYSTEM IN HOT GAS REHEAT MODE</b>										
<b>TEMP (F) AIR ENT CONDENSER (Edb)</b>		<b>AIR ENTERING EVAPORATOR – Ewb (F)</b>								
		<b>75 Dry Bulb 62.5 Wet Bulb (50% Relative)</b>			<b>75 Dry Bulb 64 Wet Bulb (56% Relative)</b>			<b>75 Dry Bulb 65.3 Wet Bulb (60% Relative)</b>		
		<b>Air Entering Evaporator – Cfm</b>								
		<b>3750</b>	<b>5000</b>	<b>6250</b>	<b>3750</b>	<b>5000</b>	<b>6250</b>	<b>3750</b>	<b>5000</b>	<b>6250</b>
80	TC	52.42	45.88	36.99	62.64	58.07	51.07	71.56	68.64	63.23
	SHC	-0.39	-0.54	-0.67	-0.31	-0.46	-0.58	-0.26	-0.40	-0.52
	kW	9.65	9.39	9.07	9.97	9.77	9.50	10.25	10.11	9.89
75	TC	53.45	46.63	36.10	63.77	59.11	51.87	72.76	69.80	64.31
	SHC	0.59	0.44	0.30	0.67	0.52	0.40	0.72	0.58	0.47
	kW	9.09	8.83	8.49	9.39	9.20	8.94	9.67	9.53	9.32
70	TC	54.33	46.91	37.58	64.77	60.01	52.30	73.80	70.80	65.24
	SHC	1.56	1.41	1.29	1.64	1.50	1.38	1.70	1.56	1.45
	kW	8.81	8.53	8.62	9.15	8.94	8.65	9.46	9.31	9.08
60	TC	55.47	49.48	40.48	66.62	62.07	54.88	75.68	72.76	67.28
	SHC	3.50	3.38	3.27	3.59	3.47	3.36	3.65	3.52	3.42
	kW	8.36	8.84	8.98	9.88	9.56	9.10	9.83	9.64	9.31
50	TC	58.33	51.72	42.81	68.72	63.93	55.84	77.74	74.77	69.24
	SHC	5.47	5.35	5.24	5.54	5.43	5.32	5.60	5.49	5.39
	kW	8.98	9.25	9.43	9.33	8.97	8.73	9.55	9.33	9.70
40	TC	60.33	53.69	46.89	70.67	65.93	49.83	79.46	76.62	71.24
	SHC	7.42	7.31	7.22	7.49	7.39	7.23	7.55	7.45	7.37
	kW	9.16	9.88	9.06	9.50	9.05	9.47	10.31	10.00	9.48

**LEGEND**

- Edb** – Entering Dry–Bulb
- Ewb** – Entering Wet–Bulb
- kW** – Compressor Motor Power Input
- ldb** – Leaving Dry–Bulb
- lwb** – Leaving Wet–Bulb
- SHC** – Sensible Heat Capacity (1000 Btuh) Gross
- TC** – Total Capacity (1000 Btuh) Gross



50TC*D16 (RTPF)			Ambient Temperature												
			85			95			105			115			
			EA (dB)			EA (dB)			EA (dB)			EA (dB)			
			75	80	85	75	80	85	75	80	85	75	80	85	
4500 Cfm	EAT (wb)	58	THC	156.6	156.6	175.2	149.4	149.4	169.1	141.6	141.6	160.2	133.3	133.3	150.9
			SHC	134.7	154.9	175.2	129.8	149.4	169.1	123.0	141.6	160.2	115.7	133.3	150.9
		62	THC	166.7	166.7	166.9	158.0	158.0	162.6	147.6	147.6	157.2	136.8	136.8	150.3
			SHC	122.8	144.9	166.9	118.6	140.6	162.6	113.5	135.3	157.2	107.4	128.8	150.3
		67	THC	184.1	184.1	184.1	175.6	175.6	175.6	165.6	165.6	165.6	154.5	154.5	154.5
	SHC		101.6	123.7	145.7	98.1	120.2	142.3	94.0	116.1	138.2	89.4	111.5	133.6	
	72	THC	200.3	200.3	200.3	192.0	192.0	192.0	182.9	182.9	182.9	172.2	172.2	172.2	
		SHC	78.7	101.1	123.5	75.5	97.9	120.2	72.1	94.4	116.7	68.2	90.5	112.7	
	76	THC	-	211.4	211.4	-	203.1	203.1	-	193.8	193.8	-	183.9	183.9	
		SHC	-	82.2	107.0	-	79.3	103.8	-	76.0	100.2	-	72.6	96.5	
5250 Cfm	EAT (wb)	58	THC	165.2	165.2	186.9	158.2	158.2	179.0	150.0	150.0	169.7	141.3	141.3	160.0
			SHC	143.5	165.2	186.9	137.4	158.2	179.0	130.2	150.0	169.7	122.7	141.3	160.0
		62	THC	172.3	172.3	181.7	163.4	163.4	176.9	153.1	153.1	169.3	143.4	143.4	161.4
			SHC	131.6	156.6	181.7	127.1	152.0	176.9	120.5	144.9	169.3	114.1	137.8	161.4
		67	THC	189.5	189.5	189.5	180.9	180.9	180.9	170.7	170.7	170.7	159.1	159.1	159.1
	SHC		107.2	132.4	157.5	103.8	129.0	154.1	99.9	125.1	150.4	95.3	120.6	145.8	
	72	THC	205.0	205.0	205.0	196.5	196.5	196.5	187.1	187.1	187.1	176.4	176.4	176.4	
		SHC	80.9	106.1	131.3	77.7	102.9	128.1	74.4	99.5	124.7	70.6	95.8	121.0	
	76	THC	-	215.4	215.4	-	206.8	206.8	-	197.1	197.1	-	186.9	186.9	
		SHC	-	85.0	113.0	-	82.0	109.8	-	78.8	106.4	-	75.4	102.8	
6000 Cfm	EAT (wb)	58	THC	172.7	172.7	195.4	165.5	165.5	187.3	157.1	157.1	177.8	148.1	148.1	167.7
			SHC	150.0	172.7	195.4	143.8	165.5	187.3	136.4	157.1	177.8	128.6	148.1	167.7
		62	THC	176.6	176.6	195.7	168.1	168.1	187.6	158.9	158.9	180.2	148.9	148.9	172.1
			SHC	139.6	167.7	195.7	133.2	160.4	187.6	127.1	153.7	180.2	120.7	146.4	172.1
		67	THC	193.6	193.6	193.6	184.8	184.8	184.8	174.7	174.7	174.7	162.7	162.7	162.7
	SHC		112.3	140.3	168.3	108.9	137.0	165.2	105.2	133.5	161.7	100.7	129.0	157.3	
	72	THC	208.4	208.4	208.4	199.6	199.6	199.6	190.2	190.2	190.2	179.5	179.5	179.5	
		SHC	82.7	110.5	138.3	79.6	107.3	135.1	76.2	104.0	131.8	72.6	100.6	128.5	
	76	THC	-	218.2	218.2	-	209.5	209.5	-	199.5	199.5	-	189.0	189.0	
		SHC	-	87.5	118.6	-	84.5	115.2	-	81.1	111.3	-	77.5	107.3	
6750 Cfm	EAT (wb)	58	THC	178.8	178.8	202.4	171.6	171.6	194.2	163.1	163.1	184.6	153.8	153.8	174.1
			SHC	155.3	178.8	202.4	149.0	171.6	194.2	141.6	163.1	184.6	133.5	153.8	174.1
		62	THC	181.0	181.0	203.6	173.0	173.0	197.5	163.8	163.8	190.1	153.9	153.9	181.1
			SHC	144.1	173.9	203.6	139.1	168.3	197.5	133.3	161.7	190.1	126.7	153.9	181.1
		67	THC	196.8	196.8	196.8	187.9	187.9	187.9	177.7	177.7	177.7	165.5	165.5	167.9
	SHC		117.0	147.7	178.4	113.7	144.5	175.4	110.1	141.1	172.2	105.6	136.8	167.9	
	72	THC	211.0	211.0	211.0	202.2	202.2	202.2	192.5	192.5	192.5	181.8	181.8	181.8	
		SHC	84.3	114.5	144.7	81.2	111.5	141.7	77.9	108.1	138.4	74.4	104.9	135.4	
	76	THC	-	220.2	220.2	-	211.5	211.5	-	201.3	201.3	-	190.6	190.6	
		SHC	-	89.5	122.8	-	86.4	119.4	-	83.0	115.4	-	79.4	111.5	
7500 Cfm	EAT (wb)	58	THC	183.9	183.9	208.2	176.6	176.6	199.8	168.2	168.2	190.3	158.6	158.6	179.5
			SHC	159.7	183.9	208.2	153.3	176.6	199.8	146.0	168.2	190.3	137.7	158.6	179.5
		62	THC	185.1	185.1	212.5	177.1	177.1	206.2	168.3	168.3	197.9	158.7	158.7	186.7
			SHC	149.5	181.0	212.5	144.5	175.4	206.2	138.7	168.3	197.9	130.8	158.7	186.7
		67	THC	199.3	199.3	199.3	190.3	190.3	190.3	180.0	180.0	181.7	167.8	167.8	177.8
	SHC		121.3	154.6	187.9	118.1	151.6	185.1	114.4	148.1	181.7	110.1	144.0	177.8	
	72	THC	213.0	213.0	213.0	204.1	204.1	204.1	194.2	194.2	194.2	183.5	183.5	183.5	
		SHC	85.8	118.2	150.5	82.7	115.2	147.7	79.4	111.9	144.4	76.0	108.8	141.6	
	76	THC	-	221.9	221.9	-	213.0	213.0	-	202.7	202.7	-	191.8	191.8	
		SHC	-	91.2	126.5	-	88.2	123.1	-	84.7	119.2	-	81.2	115.3	

\* See Minimum–Maximum Airflow Ratings in Table 3. Do not operate outside these limits.

**LEGEND:**

- Do not operate in this region
- Cfm - Cubic feet per minute (supply air)
- EAT(db) - Entering air temperature (dry bulb)
- EAT(wb) - Entering air temperature (wet bulb)
- SHC - Sensible heat capacity
- TC - Total capacity

**Table 6 - COOLING CAPACITIES (cont.) 2-STAGE COOLING**

**15 TONS**

<b>50TC*E16 Cooling Capacities, Subcooling Mode</b>										
<b>TEMP (F) AIR ENT CONDENSER (Edb)</b>		<b>AIR ENTERING EVAPORATOR – CFM</b>								
		<b>4500/0.02</b>			<b>6000/0.06</b>			<b>7500/0.05</b>		
		<b>Air Entering Evaporator – Ewb (F)</b>								
		<b>72</b>	<b>67</b>	<b>62</b>	<b>72</b>	<b>67</b>	<b>62</b>	<b>72</b>	<b>67</b>	<b>62</b>
75	TC	204.4	186.3	168.2	218.4	199.6	180.9	229.6	210.4	191.2
	SHC	98.9	118.1	137.2	114.8	133.7	152.6	127.6	146.2	164.9
	kW	11.57	11.22	10.77	11.78	11.45	11.00	12.06	11.64	11.35
85	TC	189.2	171.7	154.1	203.0	184.8	166.7	214.1	195.5	176.9
	SHC	79.5	103.4	127.3	96.5	120.2	144.0	110.2	133.7	157.3
	kW	12.59	12.24	11.81	12.81	12.50	12.03	13.05	12.66	12.47
95	TC	174.0	157.0	140.0	187.6	170.1	152.5	198.6	180.6	162.7
	SHC	60.0	88.7	117.5	78.2	106.8	135.3	92.9	121.3	149.7
	kW	13.68	13.35	12.86	13.91	13.57	13.05	14.15	13.75	13.47
105	TC	158.8	142.3	125.8	172.2	155.3	138.3	183.1	165.7	148.4
	SHC	40.5	74.1	107.7	59.9	93.3	126.7	75.5	108.8	142.0
	kW	14.67	14.41	13.88	14.90	14.55	14.10	15.15	14.73	14.53
115	TC	143.6	127.6	111.7	156.8	140.5	124.1	167.6	150.9	134.2
	SHC	21.0	59.4	97.8	41.6	79.9	118.1	58.1	96.3	134.2
	kW	15.77	15.38	14.88	15.88	15.65	15.10	16.12	15.84	15.54

<b>50TC*E16 Cooling Capacities, Hot Gas Reheat Mode</b>										
<b>TEMP (F) AIR ENT CONDENSER (Edb)</b>		<b>AIR ENTERING EVAPORATOR – Ewb (F)</b>								
		<b>75 Dry Bulb 62.5 Wet Bulb (50% Relative)</b>			<b>75 Dry Bulb 64 Wet Bulb (56% Relative)</b>			<b>75 Dry Bulb 65.3 Wet Bulb (60% Relative)</b>		
		<b>Air Entering Evaporator – Cfm</b>								
		<b>4500</b>	<b>6000</b>	<b>7500</b>	<b>4500</b>	<b>6000</b>	<b>7500</b>	<b>4500</b>	<b>6000</b>	<b>7500</b>
80	TC	83.75	84.85	88.95	86.65	91.90	92.90	87.90	91.75	96.30
	SHC	37.50	42.80	55.10	30.90	40.40	44.50	24.80	29.30	34.10
	kW	10.50	11.49	11.60	10.56	10.65	11.70	11.60	11.72	11.77
75	TC	85.00	86.00	90.50	88.05	93.60	94.65	89.20	93.45	97.85
	SHC	40.00	45.00	57.30	33.20	42.30	46.90	26.90	31.50	36.30
	kW	10.16	11.15	11.25	10.21	10.31	11.33	11.26	11.35	11.42
70	TC	86.15	87.35	91.50	89.20	94.30	96.10	90.40	94.10	98.95
	SHC	42.10	47.50	59.80	35.50	45.30	49.50	29.50	33.90	38.70
	kW	9.84	10.83	10.94	10.02	10.13	11.03	10.95	11.05	11.12
60	TC	88.90	90.10	94.25	92.00	97.10	98.20	93.20	96.90	101.75
	SHC	46.80	52.30	64.60	40.20	50.10	54.10	34.10	38.60	43.40
	kW	9.37	10.36	10.44	9.42	9.52	10.55	10.45	10.57	10.64
50	TC	91.70	92.80	97.00	94.80	99.90	101.00	96.10	99.70	104.20
	SHC	51.50	57.10	69.40	44.80	54.80	58.90	38.70	43.20	49.00
	kW	9.12	10.09	10.16	9.17	9.28	10.26	10.17	10.26	10.32
40	TC	94.45	95.60	99.80	97.45	102.55	103.70	98.65	102.35	107.00
	SHC	56.30	61.40	73.70	49.70	59.20	63.30	43.60	48.10	52.90
	kW	9.05	10.02	10.10	9.10	9.21	10.18	10.11	10.20	10.26

**LEGEND**

- Edb** – Entering Dry–Bulb
- Ewb** – Entering Wet–Bulb
- kW** – Compressor Motor Power Input
- ldb** – Leaving Dry–Bulb
- lwb** – Leaving Wet–Bulb
- SHC** – Sensible Heat Capacity (1000 Btuh) Gross
- TC** – Total Capacity (1000 Btuh) Gross

**Table 7 – STATIC PRESSURE ADDERS (IN. WG) (FACTORY OPTIONS AND/OR ACCESSORIES)**

**Electric Heaters**

<b>3–6 TONS</b>											
<b>CFM</b>	<b>600</b>	<b>900</b>	<b>1200</b>	<b>1400</b>	<b>1600</b>	<b>1800</b>	<b>2000</b>	<b>2200</b>	<b>2400</b>	<b>2600</b>	
1 Electric Heater Module	0.03	0.05	0.07	0.09	0.09	0.10	0.11	0.11	0.12	0.13	
2 Electric Heater Modules	0.13	0.15	0.16	0.16	0.16	0.17	0.17	0.17	0.18	0.18	

<b>7.5 – 12.5 TONS</b>																
<b>CFM</b>	<b>2250</b>	<b>2500</b>	<b>2750</b>	<b>3000</b>	<b>3250</b>	<b>3500</b>	<b>3750</b>	<b>4000</b>	<b>4250</b>	<b>4500</b>	<b>4750</b>	<b>5000</b>	<b>5250</b>	<b>5500</b>	<b>5750</b>	<b>6000</b>
1 Electric Heater Module	0.03	0.04	0.04	0.05	0.06	0.07	0.08	0.09	0.10	0.11	0.12	0.13	0.14	0.15	0.16	0.18
2 Electric Heater Modules	0.04	0.05	0.05	0.06	0.07	0.08	0.09	0.10	0.11	0.12	0.13	0.15	0.16	0.17	0.19	0.20

<b>15 TON</b>													
<b>CFM</b>	<b>2813</b>	<b>3125</b>	<b>3438</b>	<b>3750</b>	<b>4063</b>	<b>4375</b>	<b>4688</b>	<b>5000</b>	<b>5313</b>	<b>5625</b>	<b>5938</b>	<b>6250</b>	
Vertical - 1 Electric Heater Module	0.01	0.01	0.02	0.02	0.02	0.02	0.02	0.03	0.03	0.03	0.03	0.04	0.04
Vertical - 2 Electric Heater Modules	0.02	0.03	0.03	0.03	0.04	0.04	0.05	0.05	0.06	0.06	0.07	0.08	0.08
Horizontal - 1 Electric Heater Module	0.03	0.03	0.04	0.04	0.05	0.05	0.06	0.06	0.07	0.07	0.08	0.09	0.09
Horizontal - 2 Electric Heater Modules	0.02	0.03	0.03	0.04	0.04	0.04	0.05	0.05	0.06	0.06	0.07	0.08	0.08

**Humidi-MiZer**

<b>3–6 TONS</b>										
<b>CFM</b>	<b>1000</b>	<b>1250</b>	<b>1500</b>	<b>1750</b>	<b>2000</b>	<b>2250</b>	<b>2500</b>	<b>2750</b>	<b>3000</b>	
3 Tons	0.04	0.052	0.07	–	–	–	–	–	–	–
4 Tons	–	0.106	0.138	0.172	0.21	–	–	–	–	–
5 Tons	–	–	0.138	0.172	0.21	0.252	0.30	–	–	–
6 Tons	–	–	–	0.112	0.125	0.161	0.19	0.22	0.25	–

<b>7.5–12.5 TONS</b>																
<b>CFM</b>	<b>2250</b>	<b>2500</b>	<b>2750</b>	<b>3000</b>	<b>3250</b>	<b>3500</b>	<b>3750</b>	<b>4000</b>	<b>4250</b>	<b>4500</b>	<b>4750</b>	<b>5000</b>	<b>5250</b>	<b>5500</b>	<b>5750</b>	<b>6000</b>
7.5 Tons	0.12	0.14	0.16	0.19	0.21	0.23	0.26	–	–	–	–	–	–	–	–	–
8.5 Tons	–	0.11	0.12	0.13	0.15	0.17	0.18	0.20	0.22	–	–	–	–	–	–	–
10 Tons	–	–	–	0.13	0.15	0.17	0.18	0.20	0.22	0.24	0.26	0.28	–	–	–	–
12.5 Tons	–	–	–	–	–	0.17	0.18	0.20	0.22	0.24	0.26	0.28	0.31	0.33	0.36	0.39

<b>15 TONS</b>														
<b>CFM</b>	<b>4000</b>	<b>4250</b>	<b>4500</b>	<b>4750</b>	<b>5000</b>	<b>5250</b>	<b>5500</b>	<b>5750</b>	<b>6000</b>	<b>6250</b>	<b>6500</b>	<b>6750</b>	<b>7000</b>	<b>7250</b>
15 Tons	0.06	0.07	0.07	0.08	0.08	0.09	0.10	0.10	0.11	0.12	0.12	0.13	0.14	0.15

# ECONOMIZER, BAROMETRIC RELIEF AND PE PERFORMANCE

## Vertical Application

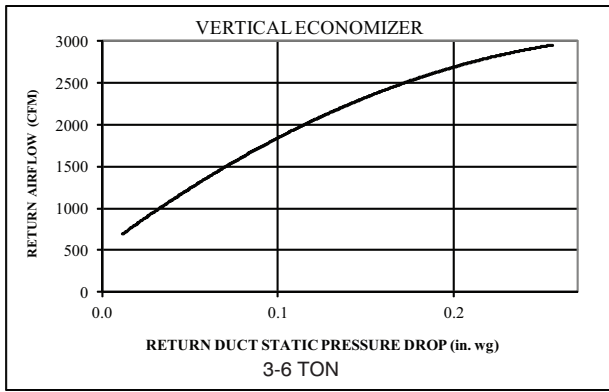


Fig. 16 - Return Air Pressure Drop

C11238

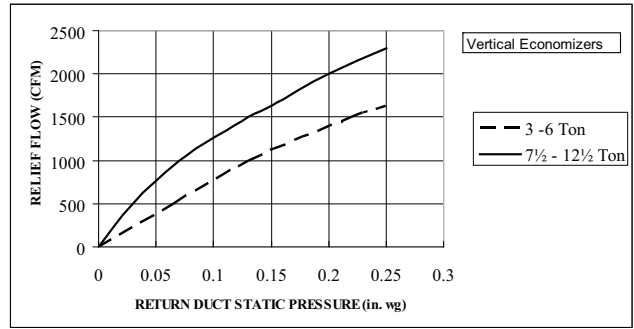


Fig. 19 - Barometric Relief Flow Capacity

C08073

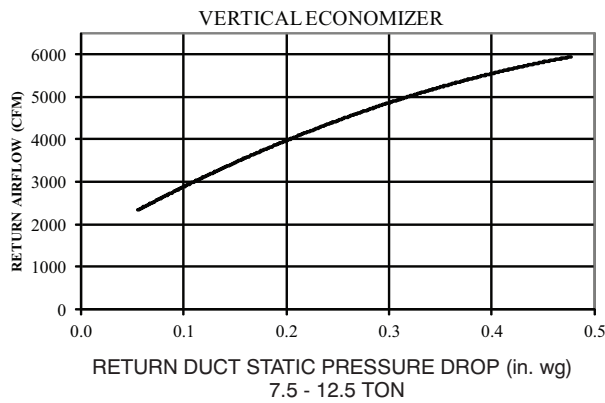


Fig. 17 - Return Air Pressure Drop

C11240

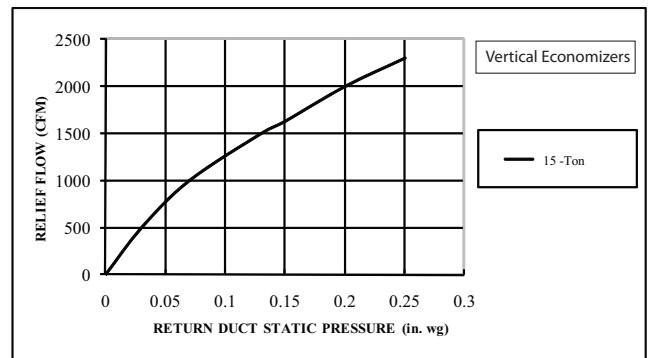


Fig. 20 - Barometric Relief Flow-Vertical 15 Ton

C101122

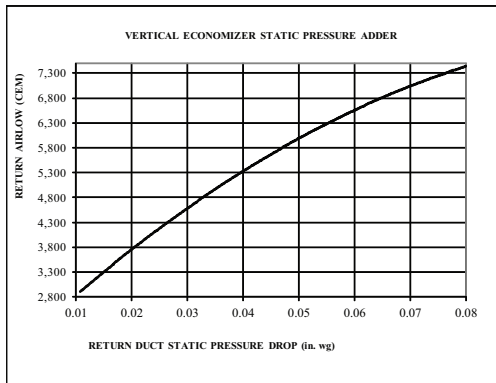


Fig. 18 - Return Air Pressure Drop-Vertical 15 Tons

C11257

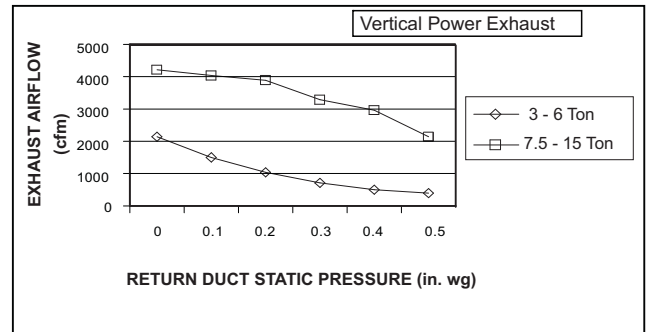
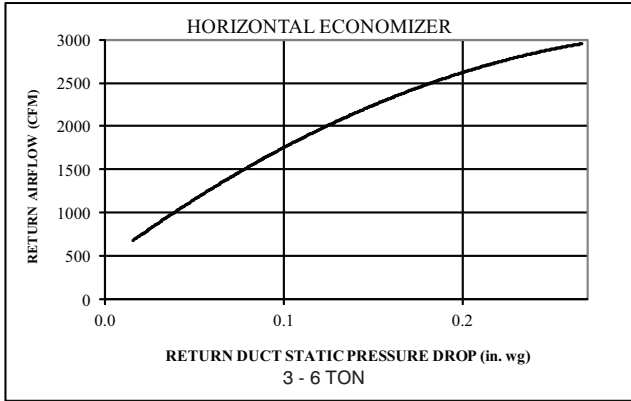


Fig. 21 - Vertical Power Exhaust Performance

C11248

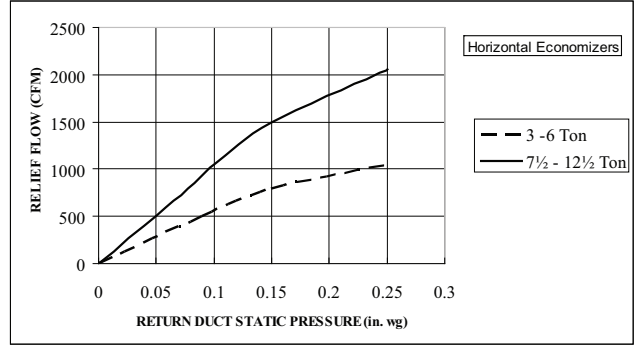
# ECONOMIZER, BAROMETRIC RELIEF AND PE PERFORMANCE (cont.)

## Horizontal Application



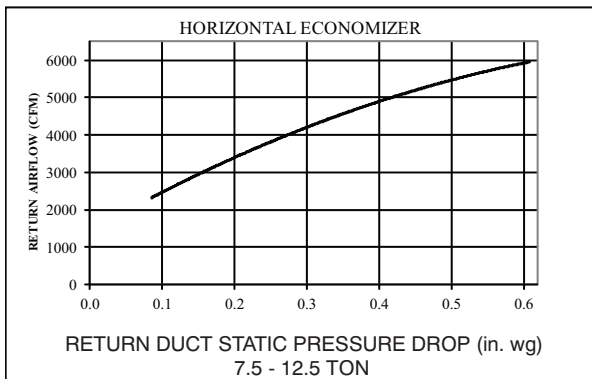
**Fig. 22 - Return Air Pressure Drop**

C11239



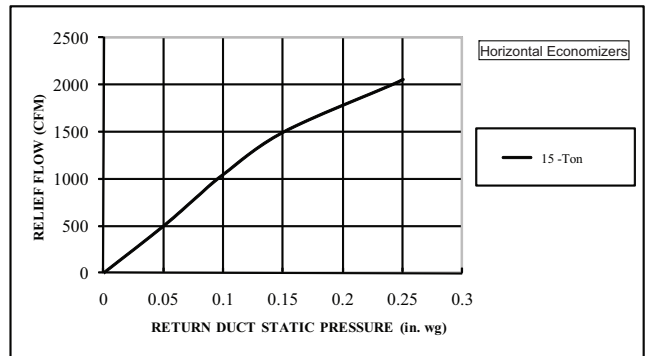
**Fig. 25 - Barometric Relief Flow Capacity**

C08070



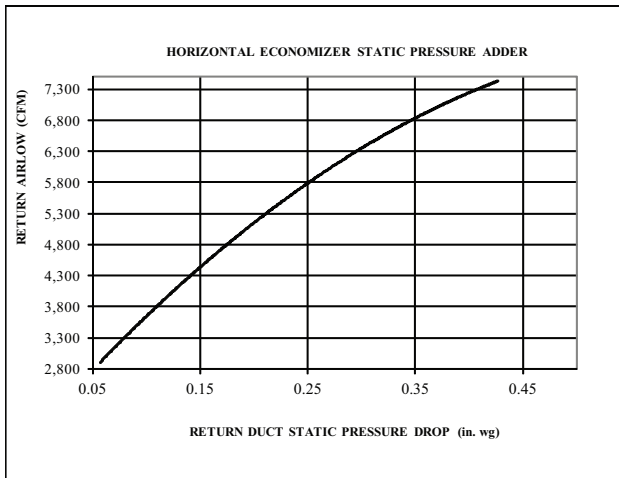
**Fig. 23 - Return Air Pressure Drop**

C11241



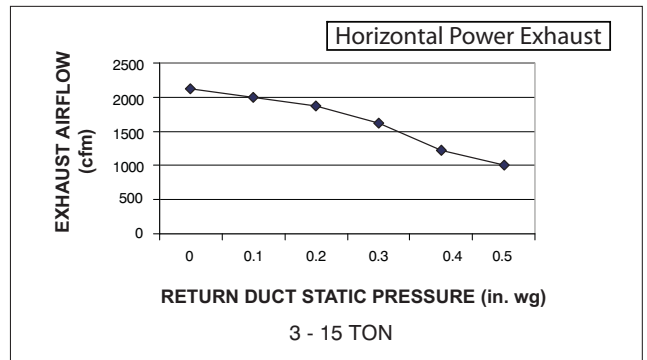
**Fig. 26 - Barometric Relief Flow-Horizontal 15 Ton**

C101120



**Fig. 24 - Return Air Pressure Drop-Horizontal 15 Ton**

C11258



**Fig. 27 - Horizontal Power Exhaust Performance**

C08012

## GENERAL FAN PERFORMANCE NOTES

1. Interpolation is permissible. Do not extrapolate.
2. External static pressure is the static pressure difference between the return duct and the supply duct plus the static pressure caused by any FIOPs or accessories.
3. Tabular data accounts for pressure loss due to clean filters, unit casing, and wet coils. Factory options and accessories may add static pressure losses. Selection software is available, through your salesperson, to help you select the best motor/drive combination for your application.
4. The Fan Performance tables offer motor/drive recommendations. In cases when two motor/drive combinations would work, Carrier recommended the lower horsepower option.
5. For information on the electrical properties of Carrier motors, please see the Electrical information section of this book.
6. For more information on the performance limits of Carrier motors, see the application data section of this book.
7. The EPACT (Energy Policy Act of 1992) regulates energy requirements for specific types of indoor fan motors. Motors regulated by EPACT include any general purpose, T-frame (three-digit, 143 and larger), single-speed, foot mounted, polyphase, squirrel cage induction motors of NEMA (National Electrical Manufacturers Association) design A and B, manufactured for use in the United States. Ranging from 1 to 200 Hp, these continuous-duty motors operate on 230 and 460 volt, 60 Hz power. If a motor does not fit into these specifications, the motor does not have to be replaced by an EPACT compliant energy-efficient motor. Variable-speed motors are exempt from EPACT compliance requirements. Therefore, the indoor fan motors for Carrier 50TC04-16 units are exempt from these requirements.

# FAN PERFORMANCE

**Table 8 – 50TC\*\*04**

**1 PHASE**

**3 TON HORIZONTAL SUPPLY**

CFM	AVAILABLE EXTERNAL STATIC PRESSURE (IN. WG)									
	0.2		0.4		0.6		0.8		1.0	
	RPM	BHP	RPM	BHP	RPM	BHP	RPM	BHP	RPM	BHP
	Field Supplied Drive <sup>1</sup>		Standard Static Option				Medium Static Option			
900	<b>554</b>	<b>0.14</b>	681	0.22	783	0.32	870	0.42	947	0.53
975	575	0.16	701	0.25	801	0.35	888	0.45	965	0.57
1050	597	0.18	721	0.28	821	0.38	906	0.49	983	0.61
1125	620	0.21	741	0.31	840	0.42	925	0.54	1001	0.66
1200	643	0.23	762	0.35	<b>860</b>	<b>0.46</b>	944	0.58	1020	0.71
1275	666	0.27	784	0.38	880	0.50	964	0.63	1039	0.76
1350	690	0.30	805	0.42	900	0.55	983	0.68	1058	0.82
1425	714	0.34	827	0.47	921	0.60	1003	0.74	1077	0.88
1500	738	0.38	849	0.52	942	0.66	1024	0.80	1097	0.95

CFM	AVAILABLE EXTERNAL STATIC PRESSURE (IN. WG)									
	1.2		1.4		1.6		1.8		2.0	
	RPM	BHP	RPM	BHP	RPM	BHP	RPM	BHP	RPM	BHP
	Medium Static Option					Field Supplied Drive <sup>2</sup>				
900	1017	0.64	1082	0.76	1143	0.88	<b>1200</b>	<b>1.01</b>	<b>1254</b>	<b>1.14</b>
975	1035	0.68	1100	0.81	1160	0.93	<b>1217</b>	<b>1.07</b>	<b>1271</b>	<b>1.20</b>
1050	1053	0.73	1117	0.86	<b>1177</b>	<b>0.99</b>	<b>1234</b>	<b>1.13</b>	-	-
1125	1071	0.78	1135	0.92	<b>1195</b>	<b>1.05</b>	<b>1251</b>	<b>1.19</b>	-	-
1200	1089	0.84	1153	0.98	<b>1212</b>	<b>1.12</b>	-	-	-	-
1275	1107	0.90	1171	1.04	<b>1230</b>	<b>1.19</b>	-	-	-	-
1350	1126	0.96	<b>1189</b>	<b>1.11</b>	-	-	-	-	-	-
1425	1145	1.03	<b>1208</b>	<b>1.18</b>	-	-	-	-	-	-
1500	1164	1.10	-	-	-	-	-	-	-	-

**NOTE:** For more information, see General Fan Performance Notes.

**Boldface** indicates field-supplied drive is required.

1. Recommend using field-supplied fan pulley (part no. KR11AG006) and belt (part no. KR30AE039).
2. Recommend using field-supplied motor pulley (part no. KR11HY161) and belt (part no. KR30AE035).

**Table 8 (cont.) 50TC\*\*04**

**1 PHASE**

**3 TON VERTICAL SUPPLY**

CFM	AVAILABLE EXTERNAL STATIC PRESSURE (IN. WG)									
	0.2		0.4		0.6		0.8		1.0	
	RPM	BHP	RPM	BHP	RPM	BHP	RPM	BHP	RPM	BHP
	Field Supplied Drive <sup>1</sup>		Standard Static Option				Medium Static Option			
900	<b>566</b>	<b>0.14</b>	690	0.23	791	0.32	879	0.42	957	0.52
975	590	0.17	711	0.26	811	0.36	897	0.46	975	0.57
1050	615	0.19	733	0.29	831	0.39	916	0.50	993	0.62
1125	640	0.22	755	0.33	851	0.43	936	0.55	1012	0.67
1200	666	0.25	778	0.36	<b>873</b>	<b>0.48</b>	956	0.60	1031	0.72
1275	692	0.29	802	0.41	894	0.53	976	0.65	1051	0.78
1350	719	0.33	825	0.45	916	0.58	997	0.71	1071	0.84
1425	746	0.37	850	0.50	939	0.63	1019	0.77	1091	0.91
1500	774	0.42	<b>875</b>	<b>0.55</b>	962	0.69	1041	0.83	1112	0.98

CFM	AVAILABLE EXTERNAL STATIC PRESSURE (IN. WG)									
	1.2		1.4		1.6		1.8		2.0	
	RPM	BHP	RPM	BHP	RPM	BHP	RPM	BHP	RPM	BHP
	Medium Static Option					Field Supplied Drive <sup>2</sup>				
900	1029	0.63	1095	0.75	1157	0.86	<b>1216</b>	<b>0.99</b>	<b>1272</b>	<b>1.11</b>
975	1046	0.68	1112	0.80	1174	0.92	<b>1232</b>	<b>1.05</b>	<b>1287</b>	<b>1.18</b>
1050	1064	0.73	1129	0.86	<b>1190</b>	<b>0.98</b>	<b>1248</b>	<b>1.11</b>	-	-
1125	1082	0.79	1147	0.92	<b>1208</b>	<b>1.05</b>	<b>1265</b>	<b>1.18</b>	-	-
1200	1100	0.85	1165	0.98	<b>1225</b>	<b>1.12</b>	-	-	-	-
1275	1119	0.91	<b>1183</b>	<b>1.05</b>	<b>1243</b>	<b>1.19</b>	-	-	-	-
1350	1139	0.98	<b>1202</b>	<b>1.12</b>	-	-	-	-	-	-
1425	1159	1.05	<b>1221</b>	<b>1.20</b>	-	-	-	-	-	-
1500	<b>1179</b>	<b>1.13</b>	-	-	-	-	-	-	-	-

**NOTE:** For more information, see General Fan Performance Notes.

**Boldface** indicates field-supplied drive is required.

1. Recommend using field-supplied fan pulley (part no. KR11AG006) and belt (part no. KR30AE039).
2. Recommend using field-supplied motor pulley (part no. KR11HY161) and belt (part no. KR30AE035).

## FAN PERFORMANCE (cont.)

Table 8 (cont.) 50TC\*\*04

3 PHASE

3 TON HORIZONTAL SUPPLY

CFM	AVAILABLE EXTERNAL STATIC PRESSURE (IN. WG)									
	0.2		0.4		0.6		0.8		1.0	
	RPM	BHP	RPM	BHP	RPM	BHP	RPM	BHP	RPM	BHP
	Field Supplied Drive <sup>1</sup>		Standard Static Option				Medium Static Option			
900	<b>554</b>	<b>0.14</b>	681	0.22	783	0.32	870	0.42	947	0.53
975	575	0.16	701	0.25	801	0.35	888	0.45	965	0.57
1050	597	0.18	721	0.28	821	0.38	906	0.49	983	0.61
1125	620	0.21	741	0.31	840	0.42	925	0.54	1001	0.66
1200	643	0.23	762	0.35	860	0.46	944	0.58	1020	0.71
1275	666	0.27	784	0.38	880	0.50	964	0.63	1039	0.76
1350	690	0.30	805	0.42	900	0.55	983	0.68	1058	0.82
1425	714	0.34	827	0.47	921	0.60	1003	0.74	1077	0.88
1500	738	0.38	849	0.52	942	0.66	1024	0.80	1097	0.95

CFM	AVAILABLE EXTERNAL STATIC PRESSURE (IN. WG)									
	1.2		1.4		1.6		1.8		2.0	
	RPM	BHP	RPM	BHP	RPM	BHP	RPM	BHP	RPM	BHP
	Medium Static Option					High Static Option				
900	1017	0.64	1082	0.76	1143	0.88	1200	1.01	1254	1.14
975	1035	0.68	1100	0.81	1160	0.93	1217	1.07	1271	1.20
1050	1053	0.73	1117	0.86	1177	0.99	1234	1.13	1288	1.27
1125	1071	0.78	1135	0.92	1195	1.05	1251	1.19	1305	1.34
1200	1089	0.84	1153	0.98	1212	1.12	1269	1.26	1322	1.41
1275	1107	0.90	1171	1.04	1230	1.19	1286	1.33	1340	1.49
1350	1126	0.96	1189	1.11	1249	1.26	1304	1.41	1357	1.57
1425	1145	1.03	1208	1.18	1267	1.33	1323	1.49	1375	1.66
1500	1164	1.10	1227	1.25	1285	1.41	1341	1.58	1394	1.75

**NOTE:** For more information, see General Fan Performance Notes.

**Boldface** indicates field-supplied drive is required.

1. Recommend using field-supplied fan pulley (part no. KR11AG006) and belt (part no. KR30AE039).

Table 8 (cont.) 50TC\*\*04

3 PHASE

3 TON VERTICAL SUPPLY

CFM	AVAILABLE EXTERNAL STATIC PRESSURE (IN. WG)									
	0.2		0.4		0.6		0.8		1.0	
	RPM	BHP	RPM	BHP	RPM	BHP	RPM	BHP	RPM	BHP
	Field Supplied Drive <sup>1</sup>		Standard Static Option				Medium Static Option			
900	<b>566</b>	<b>0.14</b>	690	0.23	791	0.32	879	0.42	957	0.52
975	590	0.17	711	0.26	811	0.36	897	0.46	975	0.57
1050	615	0.19	733	0.29	831	0.39	916	0.50	993	0.62
1125	640	0.22	755	0.33	851	0.43	936	0.55	1012	0.67
1200	666	0.25	778	0.36	873	0.48	956	0.60	1031	0.72
1275	692	0.29	802	0.41	894	0.53	976	0.65	1051	0.78
1350	719	0.33	825	0.45	916	0.58	997	0.71	1071	0.84
1425	746	0.37	850	0.50	939	0.63	1019	0.77	1091	0.91
1500	774	0.42	875	0.55	962	0.69	1041	0.83	1112	0.98

CFM	AVAILABLE EXTERNAL STATIC PRESSURE (IN. WG)									
	1.2		1.4		1.6		1.8		2.0	
	RPM	BHP	RPM	BHP	RPM	BHP	RPM	BHP	RPM	BHP
	Medium Static Option					High Static Option				
900	1029	0.63	1095	0.75	1157	0.86	1216	0.99	1272	1.11
975	1046	0.68	1112	0.80	1174	0.92	1232	1.05	1287	1.18
1050	1064	0.73	1129	0.86	1190	0.98	1248	1.11	1304	1.25
1125	1082	0.79	1147	0.92	1208	1.05	1265	1.18	1320	1.32
1200	1100	0.85	1165	0.98	1225	1.12	1282	1.26	1337	1.40
1275	1119	0.91	1183	1.05	1243	1.19	1300	1.34	1354	1.49
1350	1139	0.98	1202	1.12	1262	1.27	1318	1.42	1372	1.57
1425	1159	1.05	1221	1.20	1280	1.35	1336	1.51	1390	1.66
1500	1179	1.13	1241	1.28	1300	1.44	1355	1.60	1408	1.76

**NOTE:** For more information, see General Fan Performance Notes.

**Boldface** indicates field-supplied drive is required.

1. Recommend using field-supplied fan pulley (part no. KR11AG006) and belt (part no. KR30AE039).



## FAN PERFORMANCE (cont.)

Table 8 (cont.) 50TC\*\*05

1 PHASE

4 TON HORIZONTAL SUPPLY

CFM	AVAILABLE EXTERNAL STATIC PRESSURE (IN. WG)									
	0.2		0.4		0.6		0.8		1.0	
	RPM	BHP	RPM	BHP	RPM	BHP	RPM	BHP	RPM	BHP
	Standard Static Option					Medium Static Option				
1200	643	0.23	762	0.35	860	0.46	944	0.58	1020	0.71
1300	674	0.28	791	0.40	887	0.52	970	0.65	1045	0.78
1400	706	0.33	820	0.45	914	0.59	997	0.72	1071	0.86
1500	738	0.38	849	0.52	942	0.66	1024	0.80	1097	0.95
1600	771	0.44	<b>879</b>	<b>0.59</b>	971	0.74	1051	0.89	1124	1.04
1700	804	0.51	910	0.66	1000	0.82	1079	0.98	1151	1.14
1800	837	0.59	941	0.75	1029	0.91	1107	1.08	-	-
1900	<b>871</b>	<b>0.67</b>	972	0.84	1059	1.02	1136	1.19	-	-
2000	906	0.76	1004	0.94	1089	1.12	-	-	-	-

CFM	AVAILABLE EXTERNAL STATIC PRESSURE (IN. WG)									
	1.2		1.4		1.6		1.8		2.0	
	RPM	BHP	RPM	BHP	RPM	BHP	RPM	BHP	RPM	BHP
	Medium Static Option					Field Supplied Drive <sup>1</sup>				
1200	1089	0.84	<b>1153</b>	<b>0.98</b>	<b>1212</b>	<b>1.12</b>	-	-	-	-
1300	1114	0.92	<b>1177</b>	<b>1.06</b>	-	-	-	-	-	-
1400	1139	1.01	<b>1202</b>	<b>1.15</b>	-	-	-	-	-	-
1500	1164	1.10	-	-	-	-	-	-	-	-
1600	<b>1190</b>	<b>1.20</b>	-	-	-	-	-	-	-	-
1700	-	-	-	-	-	-	-	-	-	-
1800	-	-	-	-	-	-	-	-	-	-
1900	-	-	-	-	-	-	-	-	-	-
2000	-	-	-	-	-	-	-	-	-	-

NOTE: For more information, see General Fan Performance Notes.

**Boldface** indicates field-supplied drive is required.

1. Recommend using field-supplied motor pulley (part no. KR11HY161) and belt (part no. KR30AE035).

Table 8 (cont.) 50TC\*\*05

1 PHASE

4 TON VERTICAL SUPPLY

CFM	AVAILABLE EXTERNAL STATIC PRESSURE (IN. WG)									
	0.2		0.4		0.6		0.8		1.0	
	RPM	BHP	RPM	BHP	RPM	BHP	RPM	BHP	RPM	BHP
	Standard Static Option					Medium Static Option				
1200	666	0.25	778	0.36	873	0.48	956	0.60	1031	0.72
1300	701	0.30	809	0.42	902	0.54	983	0.67	1057	0.80
1400	737	0.36	842	0.48	932	0.61	1012	0.75	1085	0.89
1500	774	0.42	<b>875</b>	<b>0.55</b>	962	0.69	1041	0.83	1112	0.98
1600	811	0.49	909	0.63	994	0.78	1071	0.93	1141	1.08
1700	849	0.57	943	0.72	1026	0.87	1101	1.03	<b>1170</b>	<b>1.19</b>
1800	887	0.65	978	0.81	1059	0.98	1133	1.14	-	-
1900	926	0.75	1014	0.92	1092	1.09	-	-	-	-
2000	965	0.86	1050	1.03	-	-	-	-	-	-

CFM	AVAILABLE EXTERNAL STATIC PRESSURE (IN. WG)									
	1.2		1.4		1.6		1.8		2.0	
	RPM	BHP	RPM	BHP	RPM	BHP	RPM	BHP	RPM	BHP
	Medium Static Option					Field Supplied Drive <sup>1</sup>				
1200	1100	0.85	<b>1165</b>	<b>0.98</b>	<b>1225</b>	<b>1.12</b>	-	-	-	-
1300	1126	0.94	<b>1189</b>	<b>1.07</b>	-	-	-	-	-	-
1400	1152	1.03	<b>1215</b>	<b>1.17</b>	-	-	-	-	-	-
1500	<b>1179</b>	<b>1.13</b>	-	-	-	-	-	-	-	-
1600	<b>1206</b>	<b>1.24</b>	-	-	-	-	-	-	-	-
1700	<b>1235</b>	<b>1.36</b>	-	-	-	-	-	-	-	-
1800	<b>1264</b>	<b>1.48</b>	-	-	-	-	-	-	-	-
1900	<b>1293</b>	<b>1.62</b>	-	-	-	-	-	-	-	-
2000	<b>1324</b>	<b>1.77</b>	-	-	-	-	-	-	-	-

NOTE: For more information, see General Fan Performance Notes.

**Boldface** indicates field-supplied drive is required.

1. Recommend using field-supplied motor pulley (part no. KR11HY161) and belt (part no. KR30AE035).

## FAN PERFORMANCE (cont.)

Table 8 (cont.) 50TC\*\*05

3 PHASE

4 TON HORIZONTAL SUPPLY

CFM	AVAILABLE EXTERNAL STATIC PRESSURE (IN. WG)									
	0.2		0.4		0.6		0.8		1.0	
	RPM	BHP	RPM	BHP	RPM	BHP	RPM	BHP	RPM	BHP
	Standard Static Option					Medium Static Option				
1200	643	0.23	762	0.35	860	0.46	944	0.58	1020	0.71
1300	674	0.28	791	0.40	887	0.52	970	0.65	1045	0.78
1400	706	0.33	820	0.45	914	0.59	997	0.72	1071	0.86
1500	738	0.38	849	0.52	942	0.66	1024	0.80	1097	0.95
1600	771	0.44	879	0.59	971	0.74	1051	0.89	1124	1.04
1700	804	0.51	910	0.66	1000	0.82	1079	0.98	1151	1.14
1800	837	0.59	941	0.75	1029	0.91	1107	1.08	1178	1.25
1900	871	0.67	972	0.84	1059	1.02	1136	1.19	1206	1.37
2000	906	0.76	1004	0.94	1089	1.12	1165	1.31	1234	1.49

CFM	AVAILABLE EXTERNAL STATIC PRESSURE (IN. WG)									
	1.2		1.4		1.6		1.8		2.0	
	RPM	BHP	RPM	BHP	RPM	BHP	RPM	BHP	RPM	BHP
	Medium Static Option					High Static Option				
1200	1089	0.84	1153	0.98	1212	1.12	1269	1.26	1322	1.41
1300	1114	0.92	1177	1.06	1236	1.21	1292	1.36	1346	1.52
1400	1139	1.01	1202	1.15	1261	1.31	1316	1.47	1369	1.63
1500	1164	1.10	1227	1.25	1285	1.41	1341	1.58	1394	1.75
1600	1190	1.20	1252	1.36	1311	1.53	1366	1.70	1418	1.87
1700	1217	1.31	1278	1.48	1336	1.65	1391	1.83	1443	2.01
1800	1244	1.42	1305	1.60	1362	1.78	1416	1.97	1468	2.15
1900	1271	1.55	1331	1.73	1388	1.92	1442	2.11	1494	2.31
2000	1298	1.68	1358	1.87	1415	2.07	1468	2.27	-	-

NOTE: For more information, see General Fan Performance Notes.

**Boldface** indicates field-supplied drive is required.

1. Recommend using field-supplied fan pulley (part no. KR11AZ506), motor pulley (part no. KR11HY181) and belt (part no. KR30AE041).

Table 8 (cont.) 50TC\*\*05

3 PHASE

4 TON VERTICAL SUPPLY

CFM	AVAILABLE EXTERNAL STATIC PRESSURE (IN. WG)									
	0.2		0.4		0.6		0.8		1.0	
	RPM	BHP	RPM	BHP	RPM	BHP	RPM	BHP	RPM	BHP
	Standard Static Option					Medium Static Option				
1200	666	0.25	778	0.36	873	0.48	956	0.60	1031	0.72
1300	701	0.30	809	0.42	902	0.54	983	0.67	1057	0.80
1400	737	0.36	842	0.48	932	0.61	1012	0.75	1085	0.89
1500	774	0.42	875	0.55	962	0.69	1041	0.83	1112	0.98
1600	811	0.49	909	0.63	994	0.78	1071	0.93	1141	1.08
1700	849	0.57	943	0.72	1026	0.87	1101	1.03	1170	1.19
1800	887	0.65	978	0.81	1059	0.98	1133	1.14	1200	1.31
1900	926	0.75	1014	0.92	1092	1.09	1164	1.26	1231	1.44
2000	965	0.86	1050	1.03	1127	1.21	1197	1.39	1262	1.58

CFM	AVAILABLE EXTERNAL STATIC PRESSURE (IN. WG)									
	1.2		1.4		1.6		1.8		2.0	
	RPM	BHP	RPM	BHP	RPM	BHP	RPM	BHP	RPM	BHP
	Medium Static Option					High Static Option				
1200	1100	0.85	1165	0.98	1225	1.12	1282	1.26	1337	1.40
1300	1126	0.94	1189	1.07	1249	1.22	1306	1.36	1360	1.51
1400	1152	1.03	1215	1.17	1274	1.32	1330	1.48	1384	1.63
1500	1179	1.13	1241	1.28	1300	1.44	1355	1.60	1408	1.76
1600	1206	1.24	1268	1.40	1326	1.56	1381	1.73	1433	1.90
1700	1235	1.36	1295	1.52	1352	1.69	1407	1.87	1459	2.04
1800	1264	1.48	1323	1.66	1380	1.84	1434	2.02	1485	2.20
1900	1293	1.62	1352	1.80	1408	1.99	1461	2.17	1512	2.37
2000	1324	1.77	1381	1.96	1436	2.15	1489	2.34	-	-

NOTE: For more information, see General Fan Performance Notes.

**Boldface** indicates field-supplied drive is required.

1. Recommend using field-supplied fan pulley (part no. KR11AZ506), motor pulley (part no. KR11HY181) and belt (part no. KR30AE041).

## FAN PERFORMANCE (cont.)

**Table 8 (cont.) 50TC\*\*06**

**1 PHASE**

**5 TON HORIZONTAL SUPPLY**

CFM	AVAILABLE EXTERNAL STATIC PRESSURE (IN. WG)									
	0.2		0.4		0.6		0.8		1.0	
	RPM	BHP	RPM	BHP	RPM	BHP	RPM	BHP	RPM	BHP
	<b>Field Supplied Drive<sup>1</sup></b>		<b>Standard Static Option</b>							
1500	<b>724</b>	<b>0.33</b>	837	0.45	937	0.59	1028	0.74	1111	0.91
1625	<b>765</b>	<b>0.40</b>	873	0.53	969	0.67	1056	0.83	1137	1.00
1750	806	0.48	909	0.61	1002	0.76	1087	0.92	1165	1.10
1875	849	0.57	947	0.71	1036	0.86	1118	1.03	1195	1.21
2000	892	0.67	986	0.82	1072	0.98	1151	1.15	1226	1.33
2125	935	0.79	1025	0.94	1108	1.11	1185	1.29	1258	1.47
2250	980	0.92	1066	1.08	1146	1.25	1220	1.43	-	-
2375	1024	1.06	1107	1.23	1184	1.41	-	-	-	-
2500	1069	1.22	1149	1.39	-	-	-	-	-	-

CFM	AVAILABLE EXTERNAL STATIC PRESSURE (IN. WG)									
	1.2		1.4		1.6		1.8		2.0	
	RPM	BHP	RPM	BHP	RPM	BHP	RPM	BHP	RPM	BHP
	<b>Medium Static Option</b>									
1500	1188	1.09	1261	1.29	1330	1.49	-	-	-	-
1625	1213	1.18	1284	1.38	-	-	-	-	-	-
1750	1239	1.28	1309	1.49	-	-	-	-	-	-
1875	1267	1.40	-	-	-	-	-	-	-	-
2000	-	-	-	-	-	-	-	-	-	-
2125	-	-	-	-	-	-	-	-	-	-
2250	-	-	-	-	-	-	-	-	-	-
2375	-	-	-	-	-	-	-	-	-	-
2500	-	-	-	-	-	-	-	-	-	-

**NOTE:** For more information, see General Fan Performance Notes.

**Boldface** indicates field-supplied drive is required.

1. Recommend using field-supplied fan pulley (part no. KR11AZ606) and belt (part no. KR30AE037).

**Table 8 (cont.) 50TC\*\*06**

**1 PHASE**

**5 TON VERTICAL SUPPLY**

CFM	AVAILABLE EXTERNAL STATIC PRESSURE (IN. WG)									
	0.2		0.4		0.6		0.8		1.0	
	RPM	BHP	RPM	BHP	RPM	BHP	RPM	BHP	RPM	BHP
	<b>Standard Static Option</b>									
1500	790	0.40	897	0.53	991	0.68	1075	0.83	1152	1.00
1625	837	0.48	940	0.62	1030	0.77	1112	0.94	1187	1.11
1750	885	0.58	983	0.73	1070	0.89	1150	1.06	1223	1.24
1875	934	0.69	1027	0.85	1112	1.01	1189	1.19	1260	1.38
2000	983	0.81	1073	0.98	1154	1.16	1229	1.34	-	-
2125	1033	0.95	1119	1.13	1198	1.31	1270	1.50	-	-
2250	1084	1.11	1166	1.29	1242	1.49	-	-	-	-
2375	1134	1.28	1214	1.48	-	-	-	-	-	-
2500	1185	1.48	-	-	-	-	-	-	-	-

CFM	AVAILABLE EXTERNAL STATIC PRESSURE (IN. WG)									
	1.2		1.4		1.6		1.8		2.0	
	RPM	BHP	RPM	BHP	RPM	BHP	RPM	BHP	RPM	BHP
	<b>Medium Static Option</b>									
1500	1224	1.18	1291	1.36	-	-	-	-	-	-
1625	1257	1.30	1323	1.49	-	-	-	-	-	-
1750	1292	1.43	-	-	-	-	-	-	-	-
1875	-	-	-	-	-	-	-	-	-	-
2000	-	-	-	-	-	-	-	-	-	-
2125	-	-	-	-	-	-	-	-	-	-
2250	-	-	-	-	-	-	-	-	-	-
2375	-	-	-	-	-	-	-	-	-	-
2500	-	-	-	-	-	-	-	-	-	-

**NOTE:** For more information, see General Fan Performance Notes.

**Boldface** indicates field-supplied drive is required.

## FAN PERFORMANCE (cont.)

Table 8 (cont.) 50TC\*\*06

3 PHASE

5 TON HORIZONTAL SUPPLY

CFM	AVAILABLE EXTERNAL STATIC PRESSURE (IN. WG)									
	0.2		0.4		0.6		0.8		1.0	
	RPM	BHP	RPM	BHP	RPM	BHP	RPM	BHP	RPM	BHP
	<b>Field Supplied Drive<sup>1</sup></b>		<b>Standard Static Option</b>							
1500	<b>724</b>	<b>0.33</b>	837	0.45	937	0.59	1028	0.74	1111	0.91
1625	<b>765</b>	<b>0.40</b>	873	0.53	969	0.67	1056	0.83	1137	1.00
1750	806	0.48	909	0.61	1002	0.76	1087	0.92	1165	1.10
1875	849	0.57	947	0.71	1036	0.86	1118	1.03	<b>1195</b>	<b>1.21</b>
2000	892	0.67	986	0.82	1072	0.98	1151	1.15	1226	1.33
2125	935	0.79	1025	0.94	1108	1.11	1185	1.29	1258	1.47
2250	980	0.92	1066	1.08	1146	1.25	1220	1.43	1291	1.63
2375	1024	1.06	1107	1.23	1184	1.41	1256	1.60	1325	1.79
2500	1069	1.22	1149	1.39	1223	1.58	1293	1.77	1360	1.98

CFM	AVAILABLE EXTERNAL STATIC PRESSURE (IN. WG)									
	1.2		1.4		1.6		1.8		2.0	
	RPM	BHP	RPM	BHP	RPM	BHP	RPM	BHP	RPM	BHP
	<b>Medium Static Option</b>									
1500	1188	1.09	1261	1.29	1330	1.49	1395	1.71	1457	1.95
1625	1213	1.18	1284	1.38	1352	1.59	1416	1.81	<b>1478</b>	<b>2.04</b>
1750	1239	1.28	1309	1.49	1375	1.70	1439	1.92	1499	2.16
1875	1267	1.40	1335	1.60	1400	1.82	1462	2.04	1522	2.28
2000	1296	1.53	1363	1.74	1427	1.95	<b>1488</b>	<b>2.18</b>	1546	2.42
2125	1326	1.67	1392	1.88	1454	2.11	1514	2.34	1571	2.58
2250	1358	1.83	1421	2.05	1483	2.27	1541	2.51	1598	2.75
2375	1390	2.00	1452	2.22	1512	2.45	1570	2.69	<b>1625</b>	<b>2.94</b>
2500	1424	2.19	1484	2.42	1543	2.65	1599	2.89	1654	3.15

**NOTE:** For more information, see General Fan Performance Notes.

**Boldface** indicates field-supplied drive is required.

1. Recommend using field-supplied fan pulley (part no. KR11AZ606) and belt (part no. KR30AE037).

Table 8 (cont.) 50TC\*\*06

3 PHASE

5 TON VERTICAL SUPPLY

CFM	AVAILABLE EXTERNAL STATIC PRESSURE (IN. WG)									
	0.2		0.4		0.6		0.8		1.0	
	RPM	BHP	RPM	BHP	RPM	BHP	RPM	BHP	RPM	BHP
	<b>Standard Static Option</b>									
1500	790	0.40	897	0.53	991	0.68	1075	0.83	1152	1.00
1625	837	0.48	940	0.62	1030	0.77	1112	0.94	<b>1187</b>	<b>1.11</b>
1750	885	0.58	983	0.73	1070	0.89	1150	1.06	1223	1.24
1875	934	0.69	1027	0.85	1112	1.01	1189	1.19	1260	1.38
2000	983	0.81	1073	0.98	1154	1.16	1229	1.34	1299	1.53
2125	1033	0.95	1119	1.13	1198	1.31	1270	1.50	1338	1.71
2250	1084	1.11	1166	1.29	1242	1.49	1312	1.69	1386	1.89
2375	1134	1.28	1214	1.48	1287	1.68	1355	1.89	1420	2.10
2500	1185	1.48	1262	1.68	1333	1.89	1399	2.10	1462	2.33

CFM	AVAILABLE EXTERNAL STATIC PRESSURE (IN. WG)									
	1.2		1.4		1.6		1.8		2.0	
	RPM	BHP	RPM	BHP	RPM	BHP	RPM	BHP	RPM	BHP
	<b>Medium Static Option</b>								<b>High Static Option</b>	
1500	1224	1.18	1291	1.36	1354	1.56	1414	1.77	1472	1.98
1625	1257	1.30	1323	1.49	1385	1.69	1445	1.90	1501	2.12
1750	1292	1.43	1356	1.63	1418	1.83	1476	2.05	1532	2.27
1875	1327	1.57	1391	1.78	1451	1.99	1509	2.21	1564	2.44
2000	1364	1.74	1427	1.95	1486	2.17	1542	2.39	1596	2.63
2125	1402	1.92	1463	2.13	1521	2.36	1577	2.59	1630	2.83
2250	1441	2.11	1501	2.34	1558	2.57	1612	2.81	-	-
2375	1481	2.33	1539	2.56	1595	2.80	-	-	-	-
2500	1522	2.56	1579	2.80	-	-	-	-	-	-

**NOTE:** For more information, see General Fan Performance Notes.

**Boldface** indicates field-supplied drive is required.

## FAN PERFORMANCE (cont.)

Table 8 (cont.) 50TC\*\*07

3 PHASE

6 TON HORIZONTAL SUPPLY

CFM	AVAILABLE EXTERNAL STATIC PRESSURE (IN. WG)									
	0.2		0.4		0.6		0.8		1.0	
	RPM	BHP	RPM	BHP	RPM	BHP	RPM	BHP	RPM	BHP
	Field Supplied Drive <sup>1</sup>					Standard Static Option				
1800	<b>822</b>	<b>0.51</b>	<b>927</b>	<b>0.66</b>	<b>1018</b>	<b>0.82</b>	1100	0.98	1174	1.15
1950	<b>872</b>	<b>0.62</b>	<b>973</b>	<b>0.79</b>	<b>1061</b>	<b>0.95</b>	1140	1.13	1213	1.31
2100	<b>923</b>	<b>0.75</b>	<b>1019</b>	<b>0.92</b>	1104	1.10	1182	1.29	1253	1.48
2250	<b>974</b>	<b>0.90</b>	<b>1067</b>	<b>1.08</b>	1149	1.27	1224	1.46	1294	1.66
2400	<b>1026</b>	<b>1.06</b>	1115	1.26	1195	1.46	1268	1.66	1336	1.87
2550	1079	1.25	1164	1.46	1241	1.67	1312	1.88	1379	2.10
2700	1132	1.46	1214	1.67	1289	1.90	1358	2.12	1422	2.35
2850	1186	1.69	1264	1.92	1336	2.15	1404	2.39	<b>1467</b>	<b>2.63</b>
3000	1240	1.94	1315	2.18	<b>1385</b>	<b>2.43</b>	<b>1451</b>	<b>2.68</b>	1512	2.93

CFM	AVAILABLE EXTERNAL STATIC PRESSURE (IN. WG)									
	1.2		1.4		1.6		1.8		2.0	
	RPM	BHP	RPM	BHP	RPM	BHP	RPM	BHP	RPM	BHP
	Standard Static Option								Medium Static Option	
1800	1244	1.33	1308	1.51	1369	1.70	1427	1.90	1483	2.10
1950	1281	1.49	1345	1.68	1405	1.88	<b>1462</b>	<b>2.09</b>	1517	2.30
2100	1320	1.67	1382	1.87	1441	2.08	1498	2.29	<b>1552</b>	<b>2.51</b>
2250	1359	1.87	1420	2.08	1479	2.29	1534	2.51	1587	2.74
2400	1400	2.09	<b>1460</b>	<b>2.31</b>	1517	2.53	1572	2.76	1624	2.99
2550	1441	2.33	1500	2.55	1557	2.79	1610	3.03	1662	3.27
2700	<b>1483</b>	<b>2.59</b>	1541	2.83	1597	3.07	1650	3.32	1701	3.57
2850	1527	2.87	1583	3.12	1638	3.37	1690	3.63	-	-
3000	1571	3.18	1626	3.44	1680	3.70	-	-	-	-

**NOTE:** For more information, see General Fan Performance Notes.

**Boldface** indicates field-supplied drive is required.

1. Recommend using field-supplied fan pulley (part no. KR11AZ406), motor pulley (part no. KR11HY151) and belt (part no. KR30AE035).

Table 8 (cont.) 50TC\*\*07

3 PHASE

6 TON VERTICAL SUPPLY

CFM	AVAILABLE EXTERNAL STATIC PRESSURE (IN. WG)									
	0.2		0.4		0.6		0.8		1.0	
	RPM	BHP	RPM	BHP	RPM	BHP	RPM	BHP	RPM	BHP
	Field Supplied Drive <sup>1</sup>					Standard Static Option				
1800	<b>907</b>	<b>0.63</b>	<b>1006</b>	<b>0.80</b>	1092	0.97	1169	1.14	1239	1.32
1950	<b>965</b>	<b>0.77</b>	<b>1060</b>	<b>0.95</b>	1143	1.13	1218	1.32	1287	1.51
2100	<b>1024</b>	<b>0.93</b>	1115	1.12	1195	1.32	1268	1.52	1335	1.72
2250	1083	1.11	1170	1.32	1248	1.53	1319	1.74	1385	1.96
2400	1143	1.32	1227	1.54	1302	1.76	1371	1.99	1435	2.22
2550	1203	1.55	1284	1.78	1357	2.02	1424	2.26	<b>1487</b>	<b>2.50</b>
2700	1264	1.81	1342	2.06	1412	2.31	1478	2.56	1539	2.82
2850	1326	2.09	1400	2.36	1469	2.62	1532	2.89	1592	3.16
3000	1387	2.41	1459	2.69	1525	2.97	1587	3.25	1646	3.53

CFM	AVAILABLE EXTERNAL STATIC PRESSURE (IN. WG)									
	1.2		1.4		1.6		1.8		2.0	
	RPM	BHP	RPM	BHP	RPM	BHP	RPM	BHP	RPM	BHP
	Standard Static Option						Medium Static Option		High Static Option	
1800	1304	1.51	1365	1.69	1422	1.88	1477	2.08	1528	2.28
1950	1350	1.71	1410	1.91	1467	2.11	1520	2.31	1572	2.52
2100	1398	1.93	1457	2.14	1512	2.35	1565	2.57	1616	2.79
2250	1446	2.18	1504	2.40	1559	2.62	1611	2.85	1661	3.09
2400	<b>1496</b>	<b>2.45</b>	1552	2.68	1606	2.92	1658	3.16	1707	3.40
2550	1546	2.75	1601	2.99	1654	3.24	1705	3.50	-	-
2700	1597	3.07	1651	3.33	1703	3.59	-	-	-	-
2850	1648	3.43	1702	3.70	-	-	-	-	-	-
3000	-	-	-	-	-	-	-	-	-	-

**NOTE:** For more information, see General Fan Performance Notes.

**Boldface** indicates field-supplied drive is required.

1. Recommend using field-supplied fan pulley (part no. KR11AZ406), motor pulley (part no. KR11HY151) and belt (part no. KR30AE035).

## FAN PERFORMANCE (cont.)

Table 8 (cont.) 50TC\*\*08

3 PHASE

7.5 TON HORIZONTAL SUPPLY

CFM	AVAILABLE EXTERNAL STATIC PRESSURE (IN. WG)									
	0.2		0.4		0.6		0.8		1.0	
	RPM	BHP	RPM	BHP	RPM	BHP	RPM	BHP	RPM	BHP
	<b>Field Supplied Drive<sup>1</sup></b>		<b>Standard Static Option</b>						<b>Medium Static Option</b>	
2250	<b>465</b>	<b>0.43</b>	555	0.64	629	0.86	694	1.10	753	1.34
2438	<b>488</b>	<b>0.51</b>	575	0.73	648	0.97	712	1.21	769	1.47
2625	510	0.60	595	0.84	666	1.09	729	1.34	786	1.62
2813	533	0.70	616	0.95	686	1.22	748	1.49	804	1.77
3000	557	0.82	637	1.08	705	1.36	766	1.64	822	1.94
3188	581	0.94	659	1.23	726	1.51	785	1.81	840	2.12
3375	606	1.08	681	1.38	746	1.68	805	2.00	859	2.32
3563	630	1.24	703	1.55	767	1.87	825	2.20	878	2.53
3750	655	1.41	726	1.74	789	2.07	845	2.41	897	2.76

CFM	AVAILABLE EXTERNAL STATIC PRESSURE (IN. WG)									
	1.2		1.4		1.6		1.8		2.0	
	RPM	BHP	RPM	BHP	RPM	BHP	RPM	BHP	RPM	BHP
	<b>Medium Static Option</b>						<b>High Static Option</b>			
2250	806	1.60	856	1.87	903	2.15	947	2.45	988	2.75
2438	822	1.74	872	2.03	918	2.32	961	2.62	1003	2.93
2625	839	1.90	887	2.19	933	2.49	977	2.81	1018	3.13
2813	856	2.06	904	2.37	949	2.68	992	3.01	1033	3.34
3000	873	2.24	921	2.56	966	2.89	1008	3.22	1049	3.56
3188	891	2.44	938	2.77	982	3.10	1025	3.45	1065	3.81
3375	909	2.65	955	2.99	1000	3.34	1041	3.70	1081	4.06
3563	927	2.88	973	3.23	1017	3.59	1059	3.96	1098	4.34
3750	946	3.12	992	3.48	1035	3.86	1076	4.24	<b>1115</b>	<b>4.63<sup>2</sup></b>

**NOTE:** For more information, see General Fan Performance Notes.

**Boldface** indicates field – supplied drive is required.

1. Recommend using field – supplied fan pulley (part no. KR11AK012), motor pulley (part no. KR11HY161) and belt (part no. KR30AE035).
2. Recommend using field – supplied fan pulley (part no. KR11AZ002) and belt (part no. KR29AF054).

Table 8 (cont.) 50TC\*\*08

3 PHASE

7.5 TON VERTICAL SUPPLY

CFM	AVAILABLE EXTERNAL STATIC PRESSURE (IN. WG)									
	0.2		0.4		0.6		0.8		1.0	
	RPM	BHP	RPM	BHP	RPM	BHP	RPM	BHP	RPM	BHP
	<b>Standard Static Option</b>						<b>Medium Static Option</b>			
2250	511	0.53	591	0.73	660	0.95	722	1.19	779	1.44
2438	540	0.64	616	0.85	683	1.08	743	1.33	799	1.59
2625	569	0.76	642	0.99	706	1.23	765	1.49	819	1.76
2813	599	0.90	669	1.14	731	1.39	788	1.66	841	1.94
3000	630	1.06	696	1.31	756	1.58	811	1.86	863	2.15
3188	661	1.23	724	1.50	782	1.78	836	2.07	886	2.38
3375	692	1.43	753	1.71	809	2.00	861	2.31	910	2.62
3563	723	1.65	782	1.94	836	2.25	887	2.56	934	2.89
3750	755	1.89	811	2.20	864	2.52	913	2.84	959	3.18

CFM	AVAILABLE EXTERNAL STATIC PRESSURE (IN. WG)									
	1.2		1.4		1.6		1.8		2.0	
	RPM	BHP	RPM	BHP	RPM	BHP	RPM	BHP	RPM	BHP
	<b>Medium Static Option</b>						<b>High Static Option</b>			
2250	832	1.71	882	1.99	928	2.29	973	2.59	1015	2.92
2438	851	1.87	899	2.16	945	2.46	989	2.78	1031	3.11
2625	870	2.04	918	2.34	963	2.66	1006	2.98	1048	3.32
2813	890	2.24	937	2.55	982	2.87	1024	3.21	1065	3.55
3000	912	2.46	958	2.78	1001	3.11	1043	3.45	1083	3.80
3188	934	2.69	979	3.02	1022	3.36	1063	3.72	1102	4.08
3375	956	2.95	1000	3.29	1042	3.64	1083	4.00	<b>1122</b>	<b>4.38</b>
3563	980	3.23	1023	3.58	1064	3.94	<b>1104</b>	<b>4.32</b>	<b>1142</b>	<b>4.70</b>
3750	1004	3.54	1046	3.90	1086	4.27	<b>1125</b>	<b>4.65</b>	–	–

**NOTE:** For more information, see General Fan Performance Notes.

**Boldface** indicates field – supplied drive is required.

1. Recommend using field – supplied fan pulley (part no. KR11AZ002) and belt (part no. KR29AF054).

## FAN PERFORMANCE (cont.)

Table 8 (cont.) 50TC\*\*09

3 PHASE

8.5 TON HORIZONTAL SUPPLY

CFM	AVAILABLE EXTERNAL STATIC PRESSURE (IN. WG)									
	0.2		0.4		0.6		0.8		1.0	
	RPM	BHP	RPM	BHP	RPM	BHP	RPM	BHP	RPM	BHP
	<b>Field Supplied Drive<sup>1</sup></b>		<b>Standard Static Option</b>							
2550	<b>438</b>	<b>0.39</b>	523	0.50	595	0.64	658	0.78	716	0.94
2763	<b>459</b>	<b>0.47</b>	541	0.60	611	0.73	673	0.88	730	1.05
2975	<b>481</b>	<b>0.56</b>	560	0.70	628	0.84	689	1.00	745	1.16
3188	<b>504</b>	<b>0.67</b>	580	0.82	646	0.97	705	1.13	760	1.30
3400	526	0.80	600	0.95	664	1.11	722	1.27	776	1.45
3613	550	0.94	620	1.10	683	1.26	740	1.43	793	1.62
3825	573	1.09	641	1.26	702	1.43	758	1.61	810	1.80
4038	597	1.26	663	1.44	722	1.62	777	1.81	827	2.00
4250	621	1.45	685	1.64	743	1.83	796	2.02	845	2.22

CFM	AVAILABLE EXTERNAL STATIC PRESSURE (IN. WG)									
	1.2		1.4		1.6		1.8		2.0	
	RPM	BHP	RPM	BHP	RPM	BHP	RPM	BHP	RPM	BHP
	<b>Medium Static Option</b>						<b>High Static Option</b>			
2550	769	1.11	819	1.30	865	1.49	909	1.70	951	1.92
2763	782	1.22	831	1.41	877	1.60	921	1.81	963	2.04
2975	796	1.34	845	1.53	890	1.73	933	1.94	974	2.16
3188	811	1.48	858	1.67	903	1.88	946	2.09	987	2.31
3400	826	1.63	873	1.83	917	2.04	959	2.25	1000	2.48
3613	842	1.81	888	2.01	932	2.22	973	2.44	1013	2.67
3825	858	2.00	903	2.20	946	2.42	988	2.64	1027	2.87
4038	875	2.20	919	2.41	962	2.63	1002	2.86	1041	3.10
4250	892	2.43	936	2.65	978	2.87	1018	3.10	1056	3.34

**NOTE:** For more information, see General Fan Performance Notes.

**Boldface** indicates field – supplied drive is required.

1. Recommend using field – supplied fan pulley (part no. KR11AK012) and belt (part no. KR30AE055).

Table 8 (cont.) 50TC\*\*09

3 PHASE

8.5 VERTICAL SUPPLY

CFM	AVAILABLE EXTERNAL STATIC PRESSURE (IN. WG)									
	0.2		0.4		0.6		0.8		1.0	
	RPM	BHP	RPM	BHP	RPM	BHP	RPM	BHP	RPM	BHP
	<b>Field Supplied Drive<sup>1</sup></b>		<b>Standard Static Option</b>						<b>Medium Static Option</b>	
2550	<b>477</b>	<b>0.43</b>	556	0.57	624	0.71	685	0.85	742	0.99
2763	<b>503</b>	<b>0.52</b>	578	0.67	644	0.82	704	0.97	759	1.13
2975	529	0.62	601	0.79	665	0.95	724	1.11	777	1.28
3188	556	0.74	625	0.92	687	1.09	744	1.26	796	1.44
3400	583	0.88	650	1.06	710	1.24	765	1.43	816	1.62
3613	611	1.03	675	1.22	733	1.42	787	1.61	836	1.81
3825	639	1.19	701	1.40	757	1.61	809	1.81	857	2.02
4038	668	1.38	727	1.60	781	1.81	832	2.03	879	2.25
4250	696	1.58	753	1.81	806	2.04	855	2.27	901	2.50

CFM	AVAILABLE EXTERNAL STATIC PRESSURE (IN. WG)									
	1.2		1.4		1.6		1.8		2.0	
	RPM	BHP	RPM	BHP	RPM	BHP	RPM	BHP	RPM	BHP
	<b>Medium Static Option</b>						<b>High Static Option</b>			
2550	794	1.14	842	1.29	888	1.44	932	1.59	973	1.75
2763	810	1.28	858	1.44	903	1.60	946	1.77	987	1.93
2975	827	1.44	874	1.61	919	1.78	961	1.95	1001	2.13
3188	845	1.62	891	1.79	935	1.98	977	2.16	1017	2.34
3400	864	1.80	909	1.99	952	2.18	993	2.38	1033	2.57
3613	883	2.01	928	2.21	970	2.41	1010	2.61	1049	2.82
3825	903	2.23	947	2.44	988	2.65	1028	2.87	1066	3.08
4038	924	2.47	967	2.70	1008	2.92	1047	3.14	1084	3.37
4250	945	2.73	987	2.97	1027	3.20	1066	3.43	<b>1103</b>	<b>3.67<sup>2</sup></b>

**NOTE:** For more information, see General Fan Performance Notes.

**Boldface** indicates field – supplied drive is required.

1. Recommend using field – supplied fan pulley (part no. KR11AK012) and belt (part no. KR29AE055).
2. Recommend using field – supplied fan pulley (part no. KR11AZ002), motor pulley (part no. KR11HY310) and belt (part no. KR29AF054).

## FAN PERFORMANCE (cont.)

Table 8 (cont.) 50TC\*\*12

3 PHASE

10 TON HORIZONTAL SUPPLY

CFM	AVAILABLE EXTERNAL STATIC PRESSURE (IN. WG)									
	0.2		0.4		0.6		0.8		1.0	
	RPM	BHP	RPM	BHP	RPM	BHP	RPM	BHP	RPM	BHP
	<b>Field Supplied Drive<sup>1</sup></b>		<b>Standard Static Option</b>							
3000	<b>523</b>	<b>0.58</b>	592	0.73	657	0.88	718	1.05	775	1.22
3250	<b>555</b>	<b>0.71</b>	620	0.87	681	1.04	739	1.21	794	1.39
3500	<b>588</b>	<b>0.86</b>	649	1.03	707	1.21	762	1.39	815	1.58
3750	621	1.03	679	1.21	734	1.40	786	1.59	837	1.79
4000	655	1.23	709	1.42	761	1.61	812	1.82	860	2.03
4250	689	1.45	741	1.65	790	1.86	838	2.07	885	2.29
4500	723	1.69	773	1.90	820	2.12	866	2.35	910	2.57
4750	758	1.96	805	2.19	850	2.42	894	2.65	937	2.89
5000	793	2.26	838	2.50	881	2.74	923	2.98	965	3.23

CFM	AVAILABLE EXTERNAL STATIC PRESSURE (IN. WG)									
	1.2		1.4		1.6		1.8		2.0	
	RPM	BHP	RPM	BHP	RPM	BHP	RPM	BHP	RPM	BHP
	<b>Standard Static Opt.</b>		<b>Medium Static Option</b>							
3000	830	1.39	883	1.57	934	1.76	982	1.95	1029	2.14
3250	847	1.57	897	1.76	946	1.96	993	2.16	1039	2.36
3500	865	1.77	914	1.97	961	2.18	1007	2.38	1051	2.60
3750	885	1.99	932	2.20	978	2.42	1022	2.64	1065	2.86
4000	907	2.24	952	2.46	996	2.68	1038	2.91	1080	3.14
4250	930	2.51	973	2.74	1015	2.97	1057	3.21	1097	3.45
4500	954	2.81	996	3.05	1037	3.29	1076	3.54	1115	3.79
4750	979	3.13	1019	3.38	1059	3.63	1097	3.89	1135	4.15
5000	1005	3.49	1044	3.74	1082	4.01	1119	4.27	1156	4.55

**NOTE:** For more information, see General Fan Performance Notes.

**Boldface** indicates field-supplied drive is required.

1. Recommend using field-supplied fan pulley (part no. KR11AD912) and belt (part no. KR29AF051).

Table 8 (cont.) 50TC\*\*12

3 PHASE

10 VERTICAL SUPPLY

CFM	AVAILABLE EXTERNAL STATIC PRESSURE (IN. WG)									
	0.2		0.4		0.6		0.8		1.0	
	RPM	BHP	RPM	BHP	RPM	BHP	RPM	BHP	RPM	BHP
	<b>Field Supplied Drive<sup>1</sup></b>		<b>Standard Static Option</b>							
3000	<b>556</b>	<b>0.65</b>	623	0.80	684	0.95	738	1.11	789	1.26
3250	<b>590</b>	<b>0.79</b>	655	0.96	713	1.13	766	1.29	815	1.46
3500	625	0.96	687	1.14	742	1.32	794	1.50	841	1.68
3750	661	1.16	719	1.35	773	1.54	822	1.73	869	1.93
4000	697	1.37	753	1.58	804	1.79	852	1.99	897	2.20
4250	733	1.62	787	1.84	836	2.06	883	2.28	926	2.49
4500	770	1.89	821	2.13	869	2.36	914	2.59	956	2.82
4750	807	2.20	856	2.45	902	2.69	945	2.94	986	3.18
5000	844	2.54	891	2.80	936	3.06	978	3.31	1018	3.57

CFM	AVAILABLE EXTERNAL STATIC PRESSURE (IN. WG)									
	1.2		1.4		1.6		1.8		2.0	
	RPM	BHP	RPM	BHP	RPM	BHP	RPM	BHP	RPM	BHP
	<b>Medium Static Option</b>									
3000	836	1.42	881	1.57	923	1.73	963	1.89	1001	2.05
3250	861	1.63	904	1.79	945	1.96	985	2.13	1023	2.30
3500	886	1.86	929	2.04	969	2.22	1008	2.40	1045	2.58
3750	912	2.12	954	2.31	994	2.50	1031	2.70	1068	2.89
4000	940	2.40	980	2.61	1019	2.81	1056	3.02	1092	3.22
4250	968	2.71	1007	2.93	1045	3.15	1081	3.36	1117	3.58
4500	996	3.05	1035	3.28	1072	3.51	1108	3.74	1142	3.97
4750	1026	3.42	1063	3.66	1100	3.91	1135	4.15	1168	4.39
5000	1056	3.82	1093	4.08	1128	4.34	1162	4.59	-	-

**NOTE:** For more information, see General Fan Performance Notes.

**Boldface** indicates field-supplied drive is required.

1. Recommend using field-supplied fan pulley (part no. KR11AD912) and belt (part no. KR29AF051).



## FAN PERFORMANCE (cont.)

**Table 8 (cont.) 50TC\*\*14**

**3 PHASE**

**12.5 TON HORIZONTAL SUPPLY**

CFM	AVAILABLE EXTERNAL STATIC PRESSURE (IN. WG)									
	0.2		0.4		0.6		0.8		1.0	
	RPM	BHP	RPM	BHP	RPM	BHP	RPM	BHP	RPM	BHP
	<b>Field Supplied Drive<sup>1</sup></b>		<b>Standard Static Option</b>							
3438	<b>580</b>	<b>0.82</b>	642	0.99	700	1.16	756	1.34	809	1.53
3750	<b>621</b>	<b>1.03</b>	679	1.21	734	1.40	786	1.59	837	1.79
4063	663	1.28	717	1.47	769	1.67	818	1.88	866	2.09
4375	706	1.56	757	1.77	805	1.98	852	2.20	897	2.43
4688	749	1.89	797	2.11	843	2.34	887	2.57	930	2.81
5000	793	2.26	838	2.50	881	2.74	923	2.98	965	3.23
5313	837	2.69	880	2.93	921	3.19	961	3.44	<b>1000</b>	<b>3.71</b>
5625	882	3.16	922	3.42	961	3.68	<b>999</b>	<b>3.95</b>	<b>1037</b>	<b>4.23</b>
5938	926	3.68	<b>964</b>	<b>3.96</b>	<b>1001</b>	<b>4.23</b>	<b>1038</b>	<b>4.52</b>	-	-
6250	<b>971</b>	<b>4.26</b>	<b>1007</b>	<b>4.55</b>	-	-	-	-	-	-

CFM	AVAILABLE EXTERNAL STATIC PRESSURE (IN. WG)									
	1.2		1.4		1.6		1.8		2.0	
	RPM	BHP	RPM	BHP	RPM	BHP	RPM	BHP	RPM	BHP
	<b>Medium Static Option</b>									
3438	860	1.72	910	1.92	957	2.12	1003	2.32	1048	2.54
3750	885	1.99	932	2.20	978	2.42	1022	2.64	1065	2.86
4063	912	2.31	957	2.53	1001	2.75	1043	2.98	1084	3.22
4375	941	2.66	984	2.89	1026	3.13	1066	3.37	1106	3.62
4688	972	3.05	1013	3.29	1053	3.54	1092	3.80	1130	4.06
5000	1005	3.49	1044	3.74	1082	4.01	1119	4.27	1156	4.55
5313	1038	3.97	1076	4.24	1113	4.52	-	-	-	-
5625	1073	4.51	-	-	-	-	-	-	-	-
5938	-	-	-	-	-	-	-	-	-	-
6250	-	-	-	-	-	-	-	-	-	-

**NOTE:** For more information, see General Fan Performance Notes.

**Boldface** indicates field-supplied drive is required.

1. Recommend using field-supplied fan pulley (part no. KR11AK012) and belt (part no. KR29AE055).
2. Recommend using field-supplied fan pulley (part no. KR11AZ002), motor pulley (part no. KR11HY310) and belt (part no. KR29AF054).

**Table 8 (cont.) 50TC\*\*14**

**3 PHASE**

**12.5 TON VERTICAL SUPPLY**

CFM	AVAILABLE EXTERNAL STATIC PRESSURE (IN. WG)									
	0.2		0.4		0.6		0.8		1.0	
	RPM	BHP	RPM	BHP	RPM	BHP	RPM	BHP	RPM	BHP
	<b>Field Supplied Drive<sup>1</sup></b>		<b>Standard Static Option</b>							
3438	<b>616</b>	<b>0.92</b>	679	1.10	735	1.27	786	1.45	835	1.62
3750	661	1.16	719	1.35	773	1.54	822	1.73	869	1.93
4063	706	1.43	761	1.64	812	1.85	860	2.06	904	2.27
4375	752	1.75	804	1.98	852	2.20	898	2.43	941	2.65
4688	798	2.12	847	2.36	894	2.60	937	2.85	979	3.09
5000	844	2.54	891	2.80	936	3.06	978	3.31	1018	3.57
5313	891	3.01	936	3.28	978	3.56	<b>1019</b>	<b>3.83</b>	<b>1057</b>	<b>4.11</b>
5625	938	3.53	<b>981</b>	<b>3.83</b>	<b>1022</b>	<b>4.12</b>	<b>1060</b>	<b>4.41</b>	<b>1097</b>	<b>4.70</b>
5938	<b>986</b>	<b>4.12</b>	<b>1026</b>	<b>4.43</b>	-	-	-	-	-	-
6250	-	-	-	-	-	-	-	-	-	-

CFM	AVAILABLE EXTERNAL STATIC PRESSURE (IN. WG)									
	1.2		1.4		1.6		1.8		2.0	
	RPM	BHP	RPM	BHP	RPM	BHP	RPM	BHP	RPM	BHP
	<b>Medium Static Option</b>									
3438	880	1.80	922	1.98	963	2.15	1002	2.33	1039	2.51
3750	912	2.12	954	2.31	994	2.50	1031	2.70	1068	2.89
4063	947	2.48	987	2.68	1025	2.89	1062	3.10	1098	3.31
4375	982	2.88	1021	3.10	1058	3.32	1094	3.55	1129	3.77
4688	1018	3.33	1056	3.57	1093	3.81	1128	4.04	1162	4.29
5000	1056	3.82	1093	4.08	1128	4.34	1162	4.59	-	-
5313	1094	4.38	1130	4.65	-	-	-	-	-	-
5625	-	-	-	-	-	-	-	-	-	-
5938	-	-	-	-	-	-	-	-	-	-
6250	-	-	-	-	-	-	-	-	-	-

**NOTE:** For more information, see General Fan Performance Notes.

**Boldface** indicates field-supplied drive is required.

1. Recommend using field-supplied fan pulley (part no. KR11AK012) and belt (part no. KR29AE055).
2. Recommend using field-supplied fan pulley (part no. KR11AZ002), motor pulley (part no. KR11HY310) and belt (part no. KR29AF054).

## FAN PERFORMANCE (cont.)

**Table 8 (cont.) 50TC\*\*16**

**3 PHASE**

**15 TON VERTICAL SUPPLY**

CFM	Available External Static Pressure (in. wg)									
	0.2		0.4		0.6		0.8		1.0	
	RPM	BHP	RPM	BHP	RPM	BHP	RPM	BHP	RPM	BHP
4500	425	0.76	490	1.02	550	1.30	607	1.61	664	1.96
4875	448	0.92	510	1.20	566	1.49	621	1.81	674	2.15
5250	472	1.10	531	1.40	584	1.70	636	2.03	686	2.38
5625	496	1.30	552	1.62	603	1.94	652	2.28	699	2.64
6000	520	1.52	574	1.86	623	2.20	670	2.55	715	2.92
6375	544	1.77	596	2.13	644	2.49	688	2.86	731	3.24
6750	568	2.05	618	2.43	664	2.81	707	3.19	749	3.59
7125	593	2.35	641	2.75	685	3.16	727	3.56	767	3.97
7500	617	2.69	664	3.11	707	3.53	747	3.95	786	4.38

CFM	Available External Static Pressure (in. wg)									
	1.2		1.4		1.6		1.8		2.0	
	RPM	BHP	RPM	BHP	RPM	BHP	RPM	BHP	RPM	BHP
4500	719	2.34	772	2.76	823	3.20	872	3.67	918	4.16
4875	725	2.54	776	2.95	825	3.40	873	3.87	919	4.37
5250	734	2.76	783	3.18	830	3.63	876	4.10	920	4.60
5625	746	3.03	791	3.44	836	3.89	880	4.36	923	4.86
6000	759	3.32	802	3.74	845	4.18	887	4.66	928	5.16
6375	773	3.64	814	4.07	855	4.52	895	4.99	935	5.49
6750	789	4.00	828	4.43	867	4.89	905	5.36	943	5.87
7125	806	4.39	844	4.84	881	5.29	917	5.78	-	-
7500	823	4.82	860	5.27	895	5.74	-	-	-	-

NOTE: For more information, see General Fan Performance Notes.

**Table 8 (cont.) 50TC\*\*16**

**3 PHASE**

**15 TON HORIZONTAL SUPPLY**

CFM	Available External Static Pressure (in. wg)									
	0.2		0.4		0.6		0.8		1.0	
	RPM	BHP	RPM	BHP	RPM	BHP	RPM	BHP	RPM	BHP
4500	423	0.77	487	0.99	545	1.22	601	1.47	655	1.73
4875	447	0.94	507	1.18	563	1.42	615	1.67	666	1.95
5250	471	1.13	528	1.38	581	1.64	631	1.91	679	2.19
5625	496	1.35	550	1.62	600	1.89	648	2.17	694	2.46
6000	520	1.59	572	1.88	620	2.17	666	2.46	710	2.76
6375	545	1.86	594	2.17	640	2.47	684	2.78	726	3.10
6750	571	2.17	617	2.48	661	2.81	704	3.13	744	3.46
7125	596	2.50	640	2.83	683	3.17	724	3.52	763	3.86
7500	622	2.87	663	3.22	705	3.58	744	3.93	782	4.30

CFM	Available External Static Pressure (in. wg)									
	1.2		1.4		1.6		1.8		2.0	
	RPM	BHP	RPM	BHP	RPM	BHP	RPM	BHP	RPM	BHP
4500	707	2.02	758	2.33	806	2.66	853	3.01	898	3.37
4875	716	2.24	764	2.55	811	2.89	856	3.24	900	3.61
5250	726	2.49	772	2.81	817	3.14	860	3.50	903	3.87
5625	738	2.77	782	3.09	825	3.43	867	3.79	908	4.17
6000	752	3.08	794	3.41	835	3.76	875	4.12	914	4.50
6375	767	3.42	807	3.76	846	4.12	885	4.49	923	4.87
6750	784	3.80	822	4.15	859	4.51	896	4.89	933	5.28
7125	801	4.22	838	4.58	874	4.95	909	5.33	944	5.73
7500	818	4.66	854	5.04	889	5.42	923	5.81	-	-

NOTE: For more information, see General Fan Performance Notes.

## FAN PERFORMANCE (cont.)

**Table 9 – PULLEY ADJUSTMENT**

UNIT	MOTOR/DRIVE COMBO	MOTOR PULLEY TURNS OPEN											
		0.0	0.5	1.0	1.5	2.0	2.5	3.0	3.5	4.0	4.5	5.0	
04	1 phase	Standard Static	854	825	795	766	736	707	678	648	619	589	560
		Medium Static	1175	1135	1094	1054	1013	973	932	892	851	811	770
		High Static	–	–	–	–	–	–	–	–	–	–	–
	3 phase	Standard Static	854	825	795	766	736	707	678	648	619	589	560
		Medium Static	1175	1135	1094	1054	1013	973	932	892	851	811	770
		High Static	1466	1423	1380	1337	1294	1251	1207	1164	1121	1078	1035
05	1 phase	Standard Static	854	825	795	766	736	707	678	648	619	589	560
		Medium Static	1175	1135	1094	1054	1013	973	932	892	851	811	770
		High Static	–	–	–	–	–	–	–	–	–	–	–
	3 phase	Standard Static	854	825	795	766	736	707	678	648	619	589	560
		Medium Static	1175	1135	1094	1054	1013	973	932	892	851	811	770
		High Static	1466	1423	1380	1337	1294	1251	1207	1164	1121	1078	1035
06	1 phase	Standard Static	1175	1135	1094	1054	1013	973	932	892	851	811	770
		Medium Static	1466	1423	1380	1337	1294	1251	1207	1164	1121	1078	1035
		High Static	–	–	–	–	–	–	–	–	–	–	–
	3 phase	Standard Static	1175	1135	1094	1054	1013	973	932	892	851	811	770
		Medium Static	1466	1423	1380	1337	1294	1251	1207	1164	1121	1078	1035
		High Static	1687	1649	1610	1572	1533	1495	1457	1418	1380	1341	1303
07	3 phase	Standard Static	1457	1419	1380	1342	1303	1265	1227	1188	1150	1111	1073
		Medium Static	1518	1484	1449	1415	1380	1346	1311	1277	1242	1208	1173
		High Static	1788	1757	1725	1694	1662	1631	1600	1568	1537	1505	1474
08	3 phase	Standard Static	747	721	695	670	644	618	592	566	541	515	489
		Medium Static	949	927	906	884	863	841	819	798	776	755	733
		High Static	1102	1083	1063	1044	1025	1006	986	967	948	928	909
09	3 phase	Standard Static	733	712	690	669	647	626	604	583	561	540	518
		Medium Static	936	911	887	862	838	813	788	764	739	715	690
		High Static	1084	1059	1035	1010	986	961	936	912	887	863	838
12	3 phase	Standard Static	838	813	789	764	739	715	690	665	640	616	591
		Medium Static	1084	1059	1035	1010	986	961	936	912	887	863	838
		High Static	1240	1218	1196	1175	1153	1131	1109	1087	1066	1044	1022
14	3 phase	Standard Static	843	824	805	786	767	748	728	709	690	671	652
		Medium Static	1084	1059	1035	1010	986	961	936	912	887	863	838
		High Static	1240	1218	1196	1175	1153	1131	1109	1087	1066	1044	1022
16	3 phase	Standard Static	676	659	642	625	608	592	575	558	541	524	507
		Medium Static	851	829	806	784	761	739	717	694	672	649	627
		High Static	955	937	919	901	883	866	848	830	812	794	776

**NOTE:** Do not adjust pulley further than 5 turns open.

■ – Factory settings

## ELECTRICAL DATA FOR UNITS PRODUCED ON OR AFTER JULY 30, 2012

**NOTE:** Check the serial number of unit to verify production date.

To confirm the date of manufacture, locate the unit nameplate and check the first four digits of the Serial Number. If the number listed in the first 4 digits of the Serial Number is 3112 or higher, the unit was produced on or after July 30, 2012.

Position:	1	2	3	4	5	6	7	8	9	10
Example:	3	1	1	2	U	1	2	3	4	5

Week of manufacture (fiscal calendar)			Sequence number
Year of manufacture ("12" = 2012)		Manufacturing location	

C12562A

**ELECTRICAL INFORMATION**  
**(UNITS PRODUCED ON OR AFTER JULY 30, 2012)**

**Table 10 – 50TC\*\*04 1-STAGE COOLING WITH 1-SPEED INDOOR FAN MOTOR 3 TONS**

V-Ph-Hz	VOLTAGE RANGE		COMP (ea)		OFM (ea)		IFM		
	MIN	MAX	RLA	LRA	WATTS	FLA	TYPE	EFF at Full Load	FLA
208-1-60	187	253	16.6	79	325	1.5	STD	67%	4.9
					325	1.5	MED	67%	4.9
230-1-60	187	253	16.6	79	325	1.5	STD	67%	4.9
					325	1.5	MED	67%	4.9
208-3-60	187	253	10.4	73	325	1.5	STD	75%	5.2
					325	1.5	MED	75%	5.2
					325	1.5	HIGH	87%	6.9
230-3-60	187	253	10.4	73	325	1.5	STD	75%	5.2
					325	1.5	MED	75%	5.2
					325	1.5	HIGH	87%	6.7
460-3-60	414	506	5.8	38	325	0.8	STD	75%	2.6
					325	0.8	MED	75%	2.6
					325	0.8	HIGH	87%	3.4
575-3-60	518	633	3.8	37	325	0.6	STD	73%	2.4
					325	0.6	MED	73%	2.4
					325	0.6	HIGH	78%	2.0

**Table 10 (cont.) - 50TC\*\*05 1-STAGE COOLING WITH 1-SPEED INDOOR FAN MOTOR 4 TONS**

V-Ph-Hz	VOLTAGE RANGE		COMP (ea)		OFM (ea)		IFM		
	MIN	MAX	RLA	LRA	WATTS	FLA	TYPE	EFF at Full Load	FLA
208-1-60	187	253	21.8	117	325	1.5	STD	67%	4.9
					325	1.5	MED	67%	4.9
230-1-60	187	253	21.8	117	325	1.5	STD	67%	4.9
					325	1.5	MED	67%	4.9
208-3-60	187	253	13.7	83	325	1.5	STD	75%	5.2
					325	1.5	MED	75%	5.2
					325	1.5	HIGH	87%	6.9
230-3-60	187	253	13.7	83	325	1.5	STD	75%	5.2
					325	1.5	MED	75%	5.2
					325	1.5	HIGH	87%	6.7
460-3-60	414	506	6.2	41	325	0.8	STD	75%	2.6
					325	0.8	MED	75%	2.6
					325	0.8	HIGH	87%	3.4
575-3-60	518	633	4.8	33	325	0.6	STD	73%	2.4
					325	0.6	MED	73%	2.4
					325	0.6	HIGH	78%	2.0

**Table 10 (cont.) - 50TC\*\*06 1-STAGE COOLING WITH 1-SPEED INDOOR FAN MOTOR 5 TONS**

V-Ph-Hz	VOLTAGE RANGE		COMP (ea)		OFM (ea)		IFM		
	MIN	MAX	RLA	LRA	WATTS	FLA	TYPE	EFF at Full Load	FLA
208-1-60	187	253	26.2	134	325	1.5	STD	67%	4.9
					325	1.5	MED	76%	7.0
230-1-60	187	253	26.2	134	325	1.5	STD	67%	4.9
					325	1.5	MED	76%	7.0
208-3-60	187	253	15.6	110	325	1.5	STD	75%	5.2
					325	1.5	MED	87%	6.9
					325	1.5	HIGH	89%	8.4
230-3-60	187	253	15.6	110	325	1.5	STD	75%	5.2
					325	1.5	MED	87%	6.7
					325	1.5	HIGH	89%	8.3
460-3-60	414	506	7.7	52	325	0.8	STD	75%	2.6
					325	0.8	MED	87%	3.4
					325	0.8	HIGH	89%	4.2
575-3-60	518	633	5.8	39	325	0.6	STD	73%	2.4
					325	0.6	MED	78%	2.0
					325	0.6	HIGH	77%	2.8

**ELECTRICAL INFORMATION**  
**(UNITS PRODUCED ON OR AFTER JULY 30, 2012) cont.**

**Table 10 (cont.) - 50TC\*\*07 1-STAGE COOLING WITH 1-SPEED INDOOR FAN MOTOR**

**6 TONS**

V-Ph-Hz	VOLTAGE RANGE		COMP (ea)		OFM (ea)		IFM		
	MIN	MAX	RLA	LRA	WATTS	FLA	TYPE	EFF at Full Load	FLA
208-3-60	187	253	19.0	123	325	1.5	STD	87%	6.9
					325	1.5	MED	89%	8.4
					325	1.5	HIGH	87%	10.6
230-3-60	187	253	19.0	123	325	1.5	STD	87%	6.7
					325	1.5	MED	89%	8.3
					325	1.5	HIGH	87%	10.6
460-3-60	414	506	9.7	62	325	0.8	STD	87%	3.4
					325	0.8	MED	89%	4.2
					325	0.8	HIGH	87%	5.3
575-3-60	518	633	7.4	50	325	0.6	STD	78%	2.0
					325	0.6	MED	77%	2.8
					325	0.6	HIGH	77%	2.8

**Table 10 (cont.) - 50TC\*\*08 1-STAGE COOLING WITH 1-SPEED INDOOR FAN MOTOR**

**7.5 TONS**

V-Ph-Hz	VOLTAGE RANGE		COMP (ea)		OFM (ea)		IFM		
	MIN	MAX	RLA	LRA	WATTS	FLA	TYPE	EFF at Full Load	FLA
208-3-60	187	253	25.0	164	325	1.5	STD	87%	5.2
					325	1.5	MED	89%	8.4
					325	1.5	HIGH	83%	13.6
230-3-60	187	253	25.0	164	325	1.5	STD	87%	4.9
					325	1.5	MED	89%	8.3
					325	1.5	HIGH	83%	12.7
460-3-60	414	506	12.2	100	325	0.8	STD	87%	2.5
					325	0.8	MED	89%	4.2
					325	0.8	HIGH	83%	6.4
575-3-60	518	633	9.0	78	325	0.6	STD	72%	1.6
					325	0.6	MED	77%	2.8
					325	0.6	HIGH	81%	5.6

**Table 10 (cont.) - 50TC\*\*D08 2-STAGE COOLING WITH 1-SPEED INDOOR FAN MOTOR**

**7.5 TONS**

V-Ph-Hz	VOLTAGE RANGE		COMP (Cir 1)		COMP (Cir 2)		OFM (ea)		IFM		
	MIN	MAX	RLA	LRA	RLA	LRA	WATTS	FLA	TYPE	EFF at Full Load	FLA
208-3-60	187	253	13.6	83	13.6	83	325	1.5	STD	87%	5.2
							325	1.5	MED	89%	8.4
							325	1.5	HIGH	83%	13.6
230-3-60	187	253	13.6	83	13.6	83	325	1.5	STD	87%	4.9
							325	1.5	MED	89%	8.3
							325	1.5	HIGH	83%	12.7
460-3-60	414	506	6.1	41	6.1	41	325	0.8	STD	87%	2.5
							325	0.8	MED	89%	4.2
							325	0.8	HIGH	83%	6.4
575-3-60	518	633	4.2	33	4.2	33	325	0.6	STD	72%	1.6
							325	0.6	MED	77%	2.8
							325	0.6	HIGH	81%	5.6

**ELECTRICAL INFORMATION**  
**(UNITS PRODUCED ON OR AFTER JULY 30, 2012) cont.**

**Table 10 (cont.) - 50TC\*D08 2-STAGE COOLING WITH 2 SPEED INDOOR FAN MOTOR**

**7.5 TONS**

V-Ph-Hz	VOLTAGE RANGE		COMP 1		COMP 2		OFM (ea)		IFM		
	MIN	MAX	RLA	LRA	RLA	LRA	WATTS	FLA	TYPE	EFF at Full Load	FLA
208-3-60	187	253	13.6	83	13.6	83	325	1.5	STD	0.84	5.8
							325	1.5	MED	0.85	8.6
							325	1.5	HIGH	0.84	13.6
230-3-60	187	253	13.6	83	13.6	83	325	1.5	STD	0.84	5.6
							325	1.5	MED	0.85	7.8
							325	1.5	HIGH	0.84	12.7
460-3-60	414	506	6.1	41	6.1	41	325	0.8	STD	0.79	2.9
							325	0.8	MED	0.85	3.8
							325	0.8	HIGH	0.84	6.4
575-3-60	518	633	4.2	33	4.2	33	325	0.6	STD	0.81	2.8
							325	0.6	MED	0.84	4.5
							325	0.6	HIGH	0.83	6.2

**Table 10 (cont.) - 50TC\*\*09 1-STAGE COOLING WITH 1-SPEED INDOOR FAN MOTOR**

**8.5 TONS**

V-Ph-Hz	VOLTAGE RANGE		COMP (ea)		OFM (ea)		IFM		
	MIN	MAX	RLA	LRA	WATTS	FLA	TYPE	EFF at Full Load	FLA
208-3-60	187	253	29.5	195	325	1.5	STD	87%	5.2
					325	1.5	MED	87%	6.9
					325	1.5	HIGH	87%	10.6
230-3-60	187	253	29.5	195	325	1.5	STD	87%	4.9
					325	1.5	MED	87%	6.7
					325	1.5	HIGH	87%	10.6
460-3-60	414	506	14.7	95	325	0.8	STD	87%	2.5
					325	0.8	MED	87%	3.4
					325	0.8	HIGH	87%	5.3
575-3-60	518	633	12.2	80	325	0.6	STD	72%	1.6
					325	0.6	MED	78%	2.0
					325	0.6	HIGH	77%	2.8

**Table 10 (cont.) - 50TC\*\*09 2-STAGE COOLING WITH 1-SPEED INDOOR FAN MOTOR**

**8.5 TONS**

V-Ph-Hz	VOLTAGE RANGE		COMP (Cir 1)		COMP (Cir 2)		OFM (ea)		IFM		
	MIN	MAX	RLA	LRA	RLA	LRA	WATTS	FLA	TYPE	EFF at Full Load	FLA
208-3-60	187	253	14.5	98	13.7	83	325	1.5	STD	87%	5.2
							325	1.5	MED	87%	6.9
							325	1.5	HIGH	87%	10.6
230-3-60	187	253	14.5	98	13.7	83	325	1.5	STD	87%	4.9
							325	1.5	MED	87%	6.7
							325	1.5	HIGH	87%	10.6
460-3-60	414	506	6.3	55	6.2	41	325	0.8	STD	87%	2.5
							325	0.8	MED	87%	3.4
							325	0.8	HIGH	87%	5.3
575-3-60	518	633	6.0	41	4.8	33	325	0.6	STD	72%	1.6
							325	0.6	MED	78%	2.0
							325	0.6	HIGH	77%	2.8

**ELECTRICAL INFORMATION**  
**(UNITS PRODUCED ON OR AFTER JULY 30, 2012) cont.**

**Table 10 (cont.) - 50TC\*D09 2-STAGE COOLING WITH 2 SPEED INDOOR FAN MOTOR**

**8.5 TONS**

V-Ph-Hz	VOLTAGE RANGE		COMP 1		COMP 2		OFM (ea)		IFM		
	MIN	MAX	RLA	LRA	RLA	LRA	WATTS	FLA	TYPE	EFF at Full Load	FLA
208-3-60	187	253	14.5	98	13.7	83	325	1.5	STD	0.84	5.8
							325	1.5	MED	0.77	7.1
							325	1.5	HIGH	0.82	10.8
230-3-60	187	253	14.5	98	13.7	83	325	1.5	STD	0.84	5.6
							325	1.5	MED	0.77	6.8
							325	1.5	HIGH	0.82	9.8
460-3-60	414	506	6.3	55	6.2	41	325	0.8	STD	0.79	2.9
							325	0.8	MED	0.77	3.8
							325	0.8	HIGH	0.82	4.9
575-3-60	518	633	6.0	41	4.8	33	325	0.6	STD	0.81	2.8
							325	0.6	MED	0.80	3.5
							325	0.6	HIGH	0.84	4.5

**Table 10 (cont.) - 50TC\*\*12 1-STAGE COOLING WITH 1-SPEED INDOOR FAN MOTOR**

**10 TONS**

V-Ph-Hz	VOLTAGE RANGE		COMP (ea)		OFM (ea)		IFM		
	MIN	MAX	RLA	LRA	WATTS	FLA	TYPE	EFF at Full Load	FLA
208-3-60	187	253	30.1	225	325	1.5	STD	87%	6.9
					325	1.5	MED	87%	10.6
					325	1.5	HIGH	83%	13.6
230-3-60	187	253	30.1	225	325	1.5	STD	87%	6.7
					325	1.5	MED	87%	10.6
					325	1.5	HIGH	83%	12.7
460-3-60	414	506	16.7	114	325	0.8	STD	87%	3.4
					325	0.8	MED	87%	5.3
					325	0.8	HIGH	83%	6.4
575-3-60	518	633	12.2	80	325	0.6	STD	78%	2.0
					325	0.6	MED	77%	2.8
					325	0.6	HIGH	81%	5.6

**Table 10 (cont.) - 50TC\*\*12 2-STAGE COOLING WITH 1-SPEED INDOOR FAN MOTOR**

**10 TONS**

V-Ph-Hz	VOLTAGE RANGE		COMP (Cir 1)		COMP (Cir 2)		OFM (ea)		IFM		
	MIN	MAX	RLA	LRA	RLA	LRA	WATTS	FLA	TYPE	EFF at Full Load	FLA
208-3-60	187	253	15.6	110	15.9	110	325	1.5	STD	87%	6.9
							325	1.5	MED	87%	10.6
							325	1.5	HIGH	83%	13.6
230-3-60	187	253	15.6	110	15.9	110	325	1.5	STD	87%	6.7
							325	1.5	MED	87%	10.6
							325	1.5	HIGH	83%	12.7
460-3-60	414	506	7.7	52	7.7	52	325	0.8	STD	87%	3.4
							325	0.8	MED	87%	5.3
							325	0.8	HIGH	83%	6.4
575-3-60	518	633	5.8	39	5.7	39	325	0.6	STD	78%	2.0
							325	0.6	MED	77%	2.8
							325	0.6	HIGH	81%	5.6



**ELECTRICAL INFORMATION**  
**(UNITS PRODUCED ON OR AFTER JULY 30, 2012) cont.**

**Table 10 (cont.) - 50TC\*D12 2-STAGE COOLING WITH 2 SPEED INDOOR FAN MOTOR**

**10 TONS**

V-Ph-Hz	VOLTAGE RANGE		COMP 1		COMP 2		OFM (ea)		IFM		
	MIN	MAX	RLA	LRA	RLA	LRA	WATTS	FLA	TYPE	EFF at Full Load	FLA
208-3-60	187	253	15.6	110	15.9	110	325	1.5	STD	0.77	7.1
							325	1.5	MED	0.82	10.8
							325	1.5	HIGH	0.84	13.6
230-3-60	187	253	15.6	110	15.9	110	325	1.5	STD	0.77	6.8
							325	1.5	MED	0.82	9.8
							325	1.5	HIGH	0.84	12.7
460-3-60	414	506	7.7	52	7.7	52	325	0.8	STD	0.77	3.8
							325	0.8	MED	0.82	4.9
							325	0.8	HIGH	0.84	6.4
575-3-60	518	633	5.8	39	5.7	39	325	0.6	STD	0.80	3.5
							325	0.6	MED	0.84	4.5
							325	0.6	HIGH	0.83	6.2

**Table 10 (cont.) - 50TC\*\*14 2-STAGE COOLING WITH 1-SPEED INDOOR FAN MOTOR**

**12.5 TONS**

V-Ph-Hz	VOLTAGE RANGE		COMP (Cir 1)		COMP (Cir 2)		OFM (ea)		IFM		
	MIN	MAX	RLA	LRA	RLA	LRA	WATTS	FLA	TYPE	EFF at Full Load	FLA
208-3-60	187	253	19.0	123	22.4	149	1070	6.2	STD	89%	8.4
							1070	6.2	MED	87%	10.6
							1070	6.2	HIGH	83%	13.6
230-3-60	187	253	19.0	123	22.4	149	1070	6.2	STD	89%	8.3
							1070	6.2	MED	87%	10.6
							1070	6.2	HIGH	83%	12.7
460-3-60	414	506	9.7	62	10.6	75	1070	3.1	STD	89%	4.2
							1070	3.1	MED	87%	5.3
							1070	3.1	HIGH	83%	6.4
575-3-60	518	633	7.4	50	7.7	54	1070	2.5	STD	77%	2.8
							1070	2.5	MED	77%	2.8
							1070	2.5	HIGH	81%	5.6

**Table 10 (cont.) - 50TC\*D14 2-STAGE COOLING WITH 2 SPEED INDOOR FAN MOTOR**

**12.5 TONS**

V-Ph-Hz	VOLTAGE RANGE		COMP 1		COMP 2		OFM (ea)		IFM		
	MIN	MAX	RLA	LRA	RLA	LRA	WATTS	FLA	TYPE	EFF at Full Load	FLA
208-3-60	187	253	19.0	123	22.4	149	1070	6.2	STD	0.85	8.6
							1070	6.2	MED	0.82	10.8
							1070	6.2	HIGH	0.84	13.6
230-3-60	187	253	19.0	123	22.4	149	1070	6.2	STD	0.85	7.8
							1070	6.2	MED	0.82	9.8
							1070	6.2	HIGH	0.84	12.7
460-3-60	414	506	9.7	62	10.6	75	1070	3.1	STD	0.85	3.8
							1070	3.1	MED	0.82	4.9
							1070	3.1	HIGH	0.84	6.4
575-3-60	518	633	7.4	50	7.7	54	1070	2.5	STD	0.84	4.5
							1070	2.5	MED	0.84	4.5
							1070	2.5	HIGH	0.83	6.2

**ELECTRICAL INFORMATION**  
**(UNITS PRODUCED ON OR AFTER JULY 30, 2012) cont.**

**Table 10 (cont.) - 50TC\*D16 2-STAGE COOLING WITH 1-SPEED INDOOR FAN MOTOR**

**15 TONS**

V-Ph-Hz	VOLTAGE RANGE		COMP (Cir 1)		COMP (Cir 2)		OFM (ea)		IFM		
	MIN	MAX	RLA	LRA	RLA	LRA	WATTS	FLA	TYPE	EFF at Full Load	FLA
208-3-60	187	253	25.0	164	25.0	164	280	1.5	STD	89%	8.4
							280	1.5	MED	87%	10.6
							280	1.5	HIGH	90%	20.4
230-3-60	187	253	25.0	164	25.0	164	280	1.5	STD	89%	8.3
							280	1.5	MED	87%	10.6
							280	1.5	HIGH	90%	20.4
460-3-60	414	506	12.2	100	12.8	100	280	0.8	STD	89%	4.2
							280	0.8	MED	87%	5.3
							280	0.8	HIGH	90%	10.2
575-3-60	518	633	9.8	78	9.6	78	280	0.6	STD	77%	2.8
							280	0.6	MED	77%	2.8
							280	0.6	HIGH	94%	9.0

**Table 10 (cont.) - 50TC\*D16 2-STAGE COOLING WITH 2 SPEED INDOOR FAN MOTOR**

**15 TONS**

V-Ph-Hz	VOLTAGE RANGE		COMP 1		COMP 2		OFM (ea)		IFM		
	MIN	MAX	RLA	LRA	RLA	LRA	WATTS	FLA	TYPE	EFF at Full Load	FLA
208-3-60	187	253	25.0	164	25.0	164	280	1.5	STD	0.85	8.6
							280	1.5	MED	0.82	10.8
							280	1.5	HIGH	0.90	20.4
230-3-60	187	253	25.0	164	25.0	164	280	1.5	STD	0.85	7.8
							280	1.5	MED	0.82	9.8
							280	1.5	HIGH	0.90	20.4
460-3-60	414	506	12.2	100	12.8	100	280	0.8	STD	0.85	3.8
							280	0.8	MED	0.82	4.9
							280	0.8	HIGH	0.90	10.2
575-3-60	518	633	9.8	78	9.6	78	280	0.6	STD	0.84	4.5
							280	0.6	MED	0.84	4.5
							280	0.6	HIGH	0.94	9

# ELECTRIC HEAT - ELECTRICAL INFORMATION (UNITS PRODUCED ON OR AFTER JULY 30, 2012)

**Table 11 – 50TC\*\*04**

## 1-STAGE COOLING 1-SPEED INDOOR FAN MOTOR WITHOUT FACTORY INSTALLED NON-FUSED DISCONNECT

NOM. V-PH-Hz.	IFM TYPE	ELECTRIC HEATER PART NUMBER CRHEATERXXXXXX	NOM PWR (kW)	APP PWR (kW)	SINGLE POINT KIT PART NUMBER CRSINGLEXXXXXX			
					NO C.O. or UNPWRD C.O.		w/PWRD C.O.	
					NO P.E.	w/P.E. (pwrd fr/unit)	NO P.E.	w/P.E. (pwrd fr/unit)
208/ 230-1-60	STD	101A00	4.4	3.3/4.0	-	-	-	-
		102A00	6.5	4.9/6.0	-	-	-	-
		103B00	8.7	6.5/8.0	037	037	037	037
		104B00	10.5	7.9/9.6	040	040	040	040
		102A00,102A00	13.0	9.8/11.9	040	040	040	040
	MED	101A00	4.4	3.3/4.0	-	-	-	-
		102A00	6.5	4.9/6.0	-	-	-	-
		103B00	8.7	6.5/8.0	037	037	037	037
		104B00	10.5	7.9/9.6	040	040	040	040
		102A00,102A00	13.0	9.8/11.9	040	040	040	040
208/ 230-3-60	STD	101A00	4.4	3.3/4.0	-	-	-	-
		102A00	6.5	4.9/6.0	-	-	-	-
		103B00	8.7	6.5/8.0	-	-	-	-
		104B00	10.5	7.9/9.6	-	-	-	-
		105A00	16.0	12.0/14.7	037	037	038	038
	MED	101A00	4.4	3.3/4.0	-	-	-	-
		102A00	6.5	4.9/6.0	-	-	-	-
		103B00	8.7	6.5/8.0	-	-	-	-
		104B00	10.5	7.9/9.6	-	-	-	-
		105A00	16.0	12.0/14.7	037	037	038	038
	HIGH	101A00	4.4	3.3/4.0	-	-	-	-
		102A00	6.5	4.9/6.0	-	-	-	-
		103B00	8.7	6.5/8.0	-	-	-	-
		104B00	10.5	7.9/9.6	-	-	-	-
		105A00	16.0	12.0/14.7	037	037	038	038
460-3-60	STD	106A00	6.0	5.5	-	-	-	-
		107A00	8.8	8.1	-	-	-	-
		108A00	11.5	10.6	-	-	-	-
		109A00	14.0	12.9	-	-	-	-
	MED	106A00	6.0	5.5	-	-	-	-
		107A00	8.8	8.1	-	-	-	-
		108A00	11.5	10.6	-	-	-	-
		109A00	14.0	12.9	-	-	-	-
	HIGH	106A00	6.0	5.5	-	-	-	-
		107A00	8.8	8.1	-	-	-	-
		108A00	11.5	10.6	-	-	-	-
		109A00	14.0	12.9	-	-	-	-

**LEGEND:**

- APP PWR - 208 / 230V / 460V / 575V
- C.O. - Convenience outlet
- FLA - Full load amps
- IFM - Indoor fan motor
- NOM PWR - 240V / 480V / 600V
- P.E. - Power exhaust
- PWRD - Powered convenience outlet
- UNPWRD - Unpowered convenience outlet

# ELECTRIC HEAT - ELECTRICAL INFORMATION (UNITS PRODUCED ON OR AFTER JULY 30, 2012)

Table 11 (cont.) - 50TC\*\*04

## 1-STAGE COOLING 1-SPEED INDOOR FAN MOTOR WITH FACTORY INSTALLED NON-FUSED DISCONNECT

NOM. V-PH-Hz.	IFM TYPE	ELECTRIC HEATER PART NUMBER CRHEATERXXXXXX	NOM PWR (kW)	APP PWR (kW)	SINGLE POINT KIT PART NUMBER CRSINGLEXXXXXX			
					NO C.O. or UNPWRD C.O.		w/PWRD C.O.	
					NO P.E.	w/P.E. (pwr fr/unit)	NO P.E.	w/P.E. (pwr fr/unit)
208/ 230-1-60	STD	101A00	4.4	3.3/4.0	037	037	037	037
		102A00	6.5	4.9/6.0	037	037	037	037
		103B00	8.7	6.5/8.0	037	037	037	037
		104B00	10.5	7.9/9.6	040	040	040	040
		102A00,102A00	13.0	9.8/11.9	040	040	040	040
	MED	101A00	4.4	3.3/4.0	037	037	037	037
		102A00	6.5	4.9/6.0	037	037	037	037
		103B00	8.7	6.5/8.0	037	037	037	037
		104B00	10.5	7.9/9.6	040	040	040	040
		102A00,102A00	13.0	9.8/11.9	040	040	040	040
208/ 230-3-60	STD	101A00	4.4	3.3/4.0	037	037	037	037
		102A00	6.5	4.9/6.0	037	037	037	037
		103B00	8.7	6.5/8.0	037	037	037	037
		104B00	10.5	7.9/9.6	037	037	037	037
		105A00	16.0	12.0/14.7	037	037	038	038
	MED	101A00	4.4	3.3/4.0	037	037	037	037
		102A00	6.5	4.9/6.0	037	037	037	037
		103B00	8.7	6.5/8.0	037	037	037	037
		104B00	10.5	7.9/9.6	037	037	037	037
		105A00	16.0	12.0/14.7	037	037	038	038
	HIGH	101A00	4.4	3.3/4.0	037	037	037	037
		102A00	6.5	4.9/6.0	037	037	037	037
		103B00	8.7	6.5/8.0	037	037	037	037
		104B00	10.5	7.9/9.6	037	037	037	037
		105A00	16.0	12.0/14.7	037	037	038	038
460-3-60	STD	106A00	6.0	5.5	-	-	-	-
		107A00	8.8	8.1	-	-	-	-
		108A00	11.5	10.6	-	-	-	-
		109A00	14.0	12.9	-	-	-	-
	MED	106A00	6.0	5.5	-	-	-	-
		107A00	8.8	8.1	-	-	-	-
		108A00	11.5	10.6	-	-	-	-
		109A00	14.0	12.9	-	-	-	-
	HIGH	106A00	6.0	5.5	-	-	-	-
		107A00	8.8	8.1	-	-	-	-
		108A00	11.5	10.6	-	-	-	-
		109A00	14.0	12.9	-	-	-	-

**LEGEND:**

- APP PWR - 208 / 230V / 460V / 575V
- C.O. - Convenience outlet
- FLA - Full load amps
- IFM - Indoor fan motor
- NOM PWR - 240V / 480V / 600V
- P.E. - Power exhaust
- PWRD - Powered convenience outlet
- UNPWRD - Unpowered convenience outlet

# ELECTRIC HEAT - ELECTRICAL INFORMATION

## (UNITS PRODUCED ON OR AFTER JULY 30, 2012)

Table 11 (cont.) - 50TC\*\*05

### 1-STAGE COOLING 1-SPEED INDOOR FAN MOTOR WITHOUT FACTORY INSTALLED NON-FUSED DISCONNECT

NOM. V-PH-Hz.	IFM TYPE	ELECTRIC HEATER PART NUMBER CRHEATERXXXXXX	NOM PWR (kW)	APP PWR (kW)	SINGLE POINT KIT PART NUMBER CRSINGLEXXXXXX			
					NO C.O. or UNPWRD C.O.		w/PWRD C.O.	
					NO P.E.	w/P.E. (pwrd fr/unit)	NO P.E.	w/P.E. (pwrd fr/unit)
208/ 230-1-60	STD	101A00	4.4	3.3/4.0	-	-	-	-
		103B00	8.7	6.5/8.0	037	037	037	037
		102A00,102A00	13.0	9.8/11.9	040	040	040	040
		103B00,103B00	17.4	13.1/16.0	040	040	040	040
		104B00,104B00	21.0	15.8/19.3	040	040	040	040
	MED	101A00	4.4	3.3/4.0	-	-	-	-
		103B00	8.7	6.5/8.0	037	037	037	037
		102A00,102A00	13.0	9.8/11.9	040	040	040	040
		103B00,103B00	17.4	13.1/16.0	040	040	040	040
		104B00,104B00	21.0	15.8/19.3	040	040	040	040
208/ 230-3-60	STD	102A00	6.5	4.9/6.0	-	-	-	-
		103B00	8.7	6.5/8.0	-	-	-	-
		105A00	16.0	12.0/14.7	037	037	038	038
		104B00,104B00	21.0	15.8/19.3	038	038	038	038
	MED	102A00	6.5	4.9/6.0	-	-	-	-
		103B00	8.7	6.5/8.0	-	-	-	-
		105A00	16.0	12.0/14.7	037	037	038	038
		104B00,104B00	21.0	15.8/19.3	038	038	038	038
	HIGH	102A00	6.5	4.9/6.0	-	-	-	-
		103B00	8.7	6.5/8.0	-	-	-	-
		105A00	16.0	12.0/14.7	037	037	038	038
		104B00,104B00	21.0	15.8/19.3	038	038	038	038
460-3-60	STD	106A00	6.0	5.5	-	-	-	-
		108A00	11.5	10.6	-	-	-	-
		109A00	14.0	12.9	-	-	-	-
		108A00,108A00	23.0	21.1	037	037	037	037
	MED	106A00	6.0	5.5	-	-	-	-
		108A00	11.5	10.6	-	-	-	-
		109A00	14.0	12.9	-	-	-	-
		108A00,108A00	23.0	21.1	037	037	037	037
	HIGH	106A00	6.0	5.5	-	-	-	-
		108A00	11.5	10.6	-	-	-	-
		109A00	14.0	12.9	-	-	-	-
		108A00,108A00	23.0	21.1	037	037	037	037

**LEGEND:**

- APP PWR - 208 / 230V / 460V / 575V
- C.O. - Convenience outlet
- FLA - Full load amps
- IFM - Indoor fan motor
- NOM PWR - 240V / 480V / 600V
- P.E. - Power exhaust
- PWRD - Powered convenience outlet
- UNPWRD - Unpowered convenience outlet

# ELECTRIC HEAT - ELECTRICAL INFORMATION (UNITS PRODUCED ON OR AFTER JULY 30, 2012)

Table 11 (cont.) - 50TC\*\*05

## 1-STAGE COOLING 1-SPEED INDOOR FAN MOTOR WITH FACTORY INSTALLED NON-FUSED DISCONNECT

NOM. V-PH-Hz.	IFM TYPE	ELECTRIC HEATER PART NUMBER CRHEATERXXXXXX	NOM PWR (kW)	APP PWR (kW)	SINGLE POINT KIT PART NUMBER CRSINGLEXXXXXX				
					NO C.O. or UNPWRD C.O.		w/PWRD C.O.		
					NO P.E.	w/P.E. (pwrd fr/unit)	NO P.E.	w/P.E. (pwrd fr/unit)	
208/ 230-1-60	STD	101A00	4.4	3.3/4.0	037	037	037	037	
		103B00	8.7	6.5/8.0	037	037	037	037	
		102A00,102A00	13.0	9.8/11.9	040	040	040	040	
		103B00,103B00	17.4	13.1/16.0	040	040	040	040	
			104B00,104B00	21.0	15.8/19.3	040	040	040	040
	MED	101A00	4.4	3.3/4.0	037	037	037	037	
		103B00	8.7	6.5/8.0	037	037	037	037	
		102A00,102A00	13.0	9.8/11.9	040	040	040	040	
103B00,103B00		17.4	13.1/16.0	040	040	040	040		
		104B00,104B00	21.0	15.8/19.3	040	040	040	040	
208/ 230-3-60	STD	102A00	6.5	4.9/6.0	037	037	037	037	
		103B00	8.7	6.5/8.0	037	037	037	037	
		105A00	16.0	12.0/14.7	037	037	038	038	
		104B00,104B00	21.0	15.8/19.3	038	038	038	038	
	MED	102A00	6.5	4.9/6.0	037	037	037	037	
		103B00	8.7	6.5/8.0	037	037	037	037	
		105A00	16.0	12.0/14.7	037	037	038	038	
		104B00,104B00	21.0	15.8/19.3	038	038	038	038	
	HIGH	102A00	6.5	4.9/6.0	037	037	037	037	
		103B00	8.7	6.5/8.0	037	037	037	037	
		105A00	16.0	12.0/14.7	037	037	038	038	
		104B00,104B00	21.0	15.8/19.3	038	038	038	038	
460-3-60	STD	106A00	6.0	5.5	-	-	-	-	
		108A00	11.5	10.6	-	-	-	-	
		109A00	14.0	12.9	-	-	-	-	
		108A00,108A00	23.0	21.1	037	037	037	037	
	MED	106A00	6.0	5.5	-	-	-	-	
		108A00	11.5	10.6	-	-	-	-	
		109A00	14.0	12.9	-	-	-	-	
		108A00,108A00	23.0	21.1	037	037	037	037	
	HIGH	106A00	6.0	5.5	-	-	-	-	
		108A00	11.5	10.6	-	-	-	-	
		109A00	14.0	12.9	-	-	-	-	
		108A00,108A00	23.0	21.1	037	037	037	037	

**LEGEND:**

- APP PWR - 208 / 230V / 460V / 575V
- C.O. - Convenience outlet
- FLA - Full load amps
- IFM - Indoor fan motor
- NOM PWR - 240V / 480V / 600V
- P.E. - Power exhaust
- PWRD - Powered convenience outlet
- UNPWRD - Unpowered convenience outlet

# ELECTRIC HEAT - ELECTRICAL INFORMATION (UNITS PRODUCED ON OR AFTER JULY 30, 2012)

Table 11 (cont.) - 50TC\*\*06

## 1-STAGE COOLING 1-SPEED INDOOR FAN MOTOR WITHOUT FACTORY INSTALLED NON-FUSED DISCONNECT

NOM. V-PH-Hz.	IFM TYPE	ELECTRIC HEATER PART NUMBER CRHEATERXXXXXX	NOM PWR (kW)	APP PWR (kW)	SINGLE POINT KIT PART NUMBER CRSINGLEXXXXXX			
					NO C.O. or UNPWRD C.O.		w/PWRD C.O.	
					NO P.E.	w/P.E. (pwrd fr/unit)	NO P.E.	w/P.E. (pwrd fr/unit)
208/ 230-1-60	STD	102A00	6.5	4.9/6.0	-	-	-	-
		103B00	8.7	6.5/8.0	037	037	037	037
		102A00,102A00	13.0	9.8/11.9	040	040	040	040
		103B00,103B00	17.4	13.1/16.0	040	040	040	040
		104B00,104B00	21.0	15.8/19.3	040	040	040	040
	MED	102A00	6.5	4.9/6.0	-	-	-	037
		103B00	8.7	6.5/8.0	037	037	040	040
		102A00,102A00	13.0	9.8/11.9	040	040	040	040
		103B00,103B00	17.4	13.1/16.0	040	040	040	040
		104B00,104B00	21.0	15.8/19.3	040	040	040	040
208/ 230-3-60	STD	102A00	6.5	4.9/6.0	-	-	-	-
		104B00	10.5	7.9/9.6	-	-	-	-
		105A00	16.0	12.0/14.7	037	037	038	038
		104B00,104B00	21.0	15.8/19.3	038	038	038	038
		104B00,105A00	26.5	19.9/24.3	038	038	038	038
	MED	102A00	6.5	4.9/6.0	-	-	-	-
		104B00	10.5	7.9/9.6	-	-	-	-
		105A00	16.0	12.0/14.7	037	037	038	038
		104B00,104B00	21.0	15.8/19.3	038	038	038	038
		104B00,105A00	26.5	19.9/24.3	038	038	038	038
	HIGH	102A00	6.5	4.9/6.0	-	-	-	-
		104B00	10.5	7.9/9.6	-	-	-	037
		105A00	16.0	12.0/14.7	037	038	038	038
		104B00,104B00	21.0	15.8/19.3	038	038	038	038
		104B00,105A00	26.5	19.9/24.3	038	038	038	038
460-3-60	STD	106A00	6.0	5.5	-	-	-	-
		108A00	11.5	10.6	-	-	-	-
		109A00	14.0	12.9	-	-	-	-
		108A00,108A00	23.0	21.1	037	037	037	037
		108A00,109A00	25.5	23.4	037	037	037	037
	MED	106A00	6.0	5.5	-	-	-	-
		108A00	11.5	10.6	-	-	-	-
		109A00	14.0	12.9	-	-	-	-
		108A00,108A00	23.0	21.1	037	037	037	037
		108A00,109A00	25.5	23.4	037	037	037	037
	HIGH	106A00	6.0	5.5	-	-	-	-
		108A00	11.5	10.6	-	-	-	-
		109A00	14.0	12.9	-	-	-	-
		108A00,108A00	23.0	21.1	037	037	037	037
		108A00,109A00	25.5	23.4	037	037	037	037

**LEGEND:**

- APP PWR - 208 / 230V / 460V / 575V
- C.O. - Convenience outlet
- FLA - Full load amps
- IFM - Indoor fan motor
- NOM PWR - 240V / 480V / 600V
- P.E. - Power exhaust
- PWRD - Powered convenience outlet
- UNPWRD - Unpowered convenience outlet

# ELECTRIC HEAT - ELECTRICAL INFORMATION (UNITS PRODUCED ON OR AFTER JULY 30, 2012)

Table 11 (cont.) - 50TC\*\*06

## 1-STAGE COOLING 1-SPEED INDOOR FAN MOTOR WITH FACTORY INSTALLED NON-FUSED DISCONNECT

NOM. V-PH-Hz.	IFM TYPE	ELECTRIC HEATER PART NUMBER CRHEATERXXXXXX	NOM PWR (kW)	APP PWR (kW)	SINGLE POINT KIT PART NUMBER CRSINGLEXXXXXX			
					NO C.O. or UNPWRD C.O.		w/PWRD C.O.	
					NO P.E.	w/P.E. (pwrd fr/unit)	NO P.E.	w/P.E. (pwrd fr/unit)
208/ 230-1-60	STD	102A00	6.5	4.9/6.0	037	037	037	037
		103B00	8.7	6.5/8.0	037	037	037	037
		102A00,102A00	13.0	9.8/11.9	040	040	040	040
		103B00,103B00	17.4	13.1/16.0	040	040	040	040
		104B00,104B00	21.0	15.8/19.3	040	040	040	040
	MED	102A00	6.5	4.9/6.0	037	037	037	037
		103B00	8.7	6.5/8.0	037	037	040	040
		102A00,102A00	13.0	9.8/11.9	040	040	040	040
		103B00,103B00	17.4	13.1/16.0	040	040	040	040
		104B00,104B00	21.0	15.8/19.3	040	040	040	040
208/ 230-3-60	STD	102A00	6.5	4.9/6.0	037	037	037	037
		104B00	10.5	7.9/9.6	037	037	037	037
		105A00	16.0	12.0/14.7	037	037	038	038
		104B00,104B00	21.0	15.8/19.3	038	038	038	038
		104B00,105A00	26.5	19.9/24.3	038	038	038	038
	MED	102A00	6.5	4.9/6.0	037	037	037	037
		104B00	10.5	7.9/9.6	037	037	037	037
		105A00	16.0	12.0/14.7	037	037	038	038
		104B00,104B00	21.0	15.8/19.3	038	038	038	038
		104B00,105A00	26.5	19.9/24.3	038	038	038	038
	HIGH	102A00	6.5	4.9/6.0	037	037	037	037
		104B00	10.5	7.9/9.6	037	037	037	037
		105A00	16.0	12.0/14.7	037	038	038	038
		104B00,104B00	21.0	15.8/19.3	038	038	038	038
		104B00,105A00	26.5	19.9/24.3	038	038	038	038
460-3-60	STD	106A00	6.0	5.5	-	-	-	-
		108A00	11.5	10.6	-	-	-	-
		109A00	14.0	12.9	-	-	-	-
		108A00,108A00	23.0	21.1	037	037	037	037
		108A00,109A00	25.5	23.4	037	037	037	037
	MED	106A00	6.0	5.5	-	-	-	-
		108A00	11.5	10.6	-	-	-	-
		109A00	14.0	12.9	-	-	-	-
		108A00,108A00	23.0	21.1	037	037	037	037
		108A00,109A00	25.5	23.4	037	037	037	037
	HIGH	106A00	6.0	5.5	-	-	-	-
		108A00	11.5	10.6	-	-	-	-
		109A00	14.0	12.9	-	-	-	-
		108A00,108A00	23.0	21.1	037	037	037	037
		108A00,109A00	25.5	23.4	037	037	037	037

**LEGEND:**

- APP PWR - 208 / 230V / 460V / 575V
- C.O. - Convenience outlet
- FLA - Full load amps
- IFM - Indoor fan motor
- NOM PWR - 240V / 480V / 600V
- P.E. - Power exhaust
- PWRD - Powered convenience outlet
- UNPWRD - Unpowered convenience outlet



# ELECTRIC HEAT - ELECTRICAL INFORMATION (UNITS PRODUCED ON OR AFTER JULY 30, 2012)

Table 11 (cont.) - 50TC\*\*07

## 1-STAGE COOLING 1-SPEED INDOOR FAN MOTOR WITHOUT FACTORY INSTALLED NON-FUSED DISCONNECT

NOM. V-PH-Hz.	IFM TYPE	ELECTRIC HEATER PART NUMBER CRHEATERXXXXXX	NOM PWR (kW)	APP PWR (kW)	SINGLE POINT KIT PART NUMBER CRSINGLEXXXXXX			
					NO C.O. or UNPWRD C.O.		w/PWRD C.O.	
					NO P.E.	w/P.E. (pwrd fr/unit)	NO P.E.	w/P.E. (pwrd fr/unit)
208/ 230-3-60	STD	102A00	6.5	4.9/6.0	-	-	-	-
		104B00	10.5	7.9/9.6	-	-	-	-
		105A00	16.0	12.0/14.7	037	037	038	038
		104B00,104B00	21.0	15.8/19.3	038	038	038	038
		104B00,105A00	26.5	19.9/24.3	038	038	038	038
	MED	102A00	6.5	4.9/6.0	-	-	-	-
		104B00	10.5	7.9/9.6	-	-	-	037
		105A00	16.0	12.0/14.7	037	038	038	038
		104B00,104B00	21.0	15.8/19.3	038	038	038	038
		104B00,105A00	26.5	19.9/24.3	038	038	038	038
	HIGH	102A00	6.5	4.9/6.0	-	-	-	-
		104B00	10.5	7.9/9.6	-	-	037	037
		105A00	16.0	12.0/14.7	038	038	038	038
		104B00,104B00	21.0	15.8/19.3	038	038	038	038
		104B00,105A00	26.5	19.9/24.3	038	038	038	038
460-3-60	STD	106A00	6.0	5.5	-	-	-	-
		108A00	11.5	10.6	-	-	-	-
		109A00	14.0	12.9	-	-	-	-
		108A00,108A00	23.0	21.1	037	037	037	037
		108A00,109A00	25.5	23.4	037	037	037	037
	MED	106A00	6.0	5.5	-	-	-	-
		108A00	11.5	10.6	-	-	-	-
		109A00	14.0	12.9	-	-	-	-
		108A00,108A00	23.0	21.1	037	037	037	037
		108A00,109A00	25.5	23.4	037	037	037	037
	HIGH	106A00	6.0	5.5	-	-	-	-
		108A00	11.5	10.6	-	-	-	-
		109A00	14.0	12.9	-	-	-	-
		108A00,108A00	23.0	21.1	037	037	037	037
		108A00,109A00	25.5	23.4	037	037	037	037

**LEGEND:**

- APP PWR - 208 / 230V / 460V / 575V
- C.O. - Convenience outlet
- FLA - Full load amps
- IFM - Indoor fan motor
- NOM PWR - 240V / 480V / 600V
- P.E. - Power exhaust
- PWRD - Powered convenience outlet
- UNPWRD - Unpowered convenience outlet

# ELECTRIC HEAT - ELECTRICAL INFORMATION (UNITS PRODUCED ON OR AFTER JULY 30, 2012)

Table 11 (cont.) - 50TC\*\*07

## 1-STAGE COOLING 1-SPEED INDOOR FAN MOTOR WITH FACTORY INSTALLED NON-FUSED DISCONNECT

NOM. V-PH-Hz.	IFM TYPE	ELECTRIC HEATER PART NUMBER CRHEATERXXXXXX	NOM PWR (kW)	APP PWR (kW)	SINGLE POINT KIT PART NUMBER CRSINGLEXXXXXX			
					NO C.O. or UNPWRD C.O.		w/PWRD C.O.	
					NO P.E.	w/P.E. (pwrd fr/unit)	NO P.E.	w/P.E. (pwrd fr/unit)
208/ 230-3-60	STD	102A00	6.5	4.9/6.0	037	037	037	037
		104B00	10.5	7.9/9.6	037	037	037	037
		105A00	16.0	12.0/14.7	037	037	038	038
		104B00,104B00	21.0	15.8/19.3	038	038	038	038
		104B00,105A00	26.5	19.9/24.3	038	038	038	038
	MED	102A00	6.5	4.9/6.0	037	037	037	037
		104B00	10.5	7.9/9.6	037	037	037	037
		105A00	16.0	12.0/14.7	037	038	038	038
		104B00,104B00	21.0	15.8/19.3	038	038	038	038
		104B00,105A00	26.5	19.9/24.3	038	038	038	038
	HIGH	102A00	6.5	4.9/6.0	037	037	037	037
		104B00	10.5	7.9/9.6	037	037	037	037
		105A00	16.0	12.0/14.7	038	038	038	038
		104B00,104B00	21.0	15.8/19.3	038	038	038	038
		104B00,105A00	26.5	19.9/24.3	038	038	038	038
460-3-60	STD	106A00	6.0	5.5	-	-	-	-
		108A00	11.5	10.6	-	-	-	-
		109A00	14.0	12.9	-	-	-	-
		108A00,108A00	23.0	21.1	037	037	037	037
		108A00,109A00	25.5	23.4	037	037	037	037
	MED	106A00	6.0	5.5	-	-	-	-
		108A00	11.5	10.6	-	-	-	-
		109A00	14.0	12.9	-	-	-	-
		108A00,108A00	23.0	21.1	037	037	037	037
		108A00,109A00	25.5	23.4	037	037	037	037
	HIGH	106A00	6.0	5.5	-	-	-	-
		108A00	11.5	10.6	-	-	-	-
		109A00	14.0	12.9	-	-	-	-
		108A00,108A00	23.0	21.1	037	037	037	037
		108A00,109A00	25.5	23.4	037	037	037	037

**LEGEND:**

- APP PWR - 208 / 230V / 460V / 575V
- C.O. - Convenience outlet
- FLA - Full load amps
- IFM - Indoor fan motor
- NOM PWR - 240V / 480V / 600V
- P.E. - Power exhaust
- PWRD - Powered convenience outlet
- UNPWRD - Unpowered convenience outlet

# ELECTRIC HEAT - ELECTRICAL INFORMATION (UNITS PRODUCED ON OR AFTER JULY 30, 2012)

Table 11 (cont.) - 50TC\*\*08

## 1-STAGE COOLING 1-SPEED INDOOR FAN MOTOR WITHOUT FACTORY INSTALLED NON-FUSED DISCONNECT

NOM. V-PH-Hz.	IFM TYPE	ELECTRIC HEATER PART NUMBER CRHEATERXXXXXX	NOM PWR (kW)	APP PWR (kW)	SINGLE POINT KIT PART NUMBER CRSINGLEXXXXXX			
					NO C.O. or UNPWRD C.O.		w/PWRD C.O.	
					NO P.E.	w/P.E. (pwrd fr/unit)	NO P.E.	w/P.E. (pwrd fr/unit)
208/ 230-3-60	STD	117A00	10.4	7.8/9.6	042	042	042	042
		110A00	16.0	12.0/14.7	042	042	043	043
		111A00	24.8	18.6/22.8	043	043	043	043
		112A00	32.0	24.0/29.4	043	043	043	043
		112A00,117A00	42.4	31.8/38.9	045	045	045	045
	MED	117A00	10.4	7.8/9.6	042	042	042	042
		110A00	16.0	12.0/14.7	042	043	043	043
		111A00	24.8	18.6/22.8	043	043	043	043
		112A00	32.0	24.0/29.4	043	043	043	043
		112A00,117A00	42.4	31.8/38.9	045	045	045	045
	HIGH	117A00	10.4	7.8/9.6	042	042	042	043
		110A00	16.0	12.0/14.7	043	043	043	043
111A00		24.8	18.6/22.8	043	043	043	043	
112A00		32.0	24.0/29.4	043	043	043	043	
112A00,117A00		42.4	31.8/38.9	045	045	045	045	
460-3-60	STD	116A00	13.9	12.8	042	042	042	042
		113A00	16.5	15.2	042	042	042	042
		114A00	27.8	25.5	042	042	042	042
		115A00	33.0	30.3	042	042	042	042
		114A00,116A00	41.7	38.3	044	044	044	044
	MED	116A00	13.9	12.8	042	042	042	042
		113A00	16.5	15.2	042	042	042	042
		114A00	27.8	25.5	042	042	042	042
		115A00	33.0	30.3	042	042	042	042
		114A00,116A00	41.7	38.3	044	044	044	044
	HIGH	116A00	13.9	12.8	042	042	042	042
		113A00	16.5	15.2	042	042	042	042
114A00		27.8	25.5	042	042	042	042	
115A00		33.0	30.3	042	042	044	044	
114A00,116A00		41.7	38.3	044	044	044	044	
575-3-60	STD	118A00	17.0	17.0	042	042	042	042
		119A00	34.0	34.0	042	042	042	044
	MED	118A00	17.0	17.0	042	042	042	042
		119A00	34.0	34.0	042	042	042	044
	HIGH	118A00	17.0	17.0	042	042	042	042
		119A00	34.0	34.0	042	044	044	044

**LEGEND:**

- APP PWR - 208 / 230V / 460V / 575V
- C.O. - Convenience outlet
- FLA - Full load amps
- IFM - Indoor fan motor
- NOM PWR - 240V / 480V / 600V
- P.E. - Power exhaust
- PWRD - Powered convenience outlet
- UNPWRD - Unpowered convenience outlet

# ELECTRIC HEAT - ELECTRICAL INFORMATION (UNITS PRODUCED ON OR AFTER JULY 30, 2012)

Table 11 (cont.) - 50TC\*\*08

## 1-STAGE COOLING 1-SPEED INDOOR FAN MOTOR WITH FACTORY INSTALLED NON-FUSED DISCONNECT

NOM. V-PH-Hz.	IFM TYPE	ELECTRIC HEATER PART NUMBER CRHEATERXXXXXX	NOM PWR (kW)	APP PWR (kW)	SINGLE POINT KIT PART NUMBER CRSINGLEXXXXXX			
					NO C.O. or UNPWRD C.O.		w/PWRD C.O.	
					NO P.E.	w/P.E. (pwrd fr/unit)	NO P.E.	w/P.E. (pwrd fr/unit)
208/ 230-3-60	STD	117A00	10.4	7.8/9.6	042	042	042	042
		110A00	16.0	12.0/14.7	042	042	043	043
		111A00	24.8	18.6/22.8	043	043	043	043
		112A00	32.0	24.0/29.4	043	043	043	043
		112A00,117A00	42.4	31.8/38.9	045	045	045	045
	MED	117A00	10.4	7.8/9.6	042	042	042	042
		110A00	16.0	12.0/14.7	042	043	043	043
		111A00	24.8	18.6/22.8	043	043	043	043
		112A00	32.0	24.0/29.4	043	043	043	043
		112A00,117A00	42.4	31.8/38.9	045	045	045	045
	HIGH	117A00	10.4	7.8/9.6	042	042	042	043
		110A00	16.0	12.0/14.7	043	043	043	043
111A00		24.8	18.6/22.8	043	043	043	043	
112A00		32.0	24.0/29.4	043	043	043	043	
112A00,117A00		42.4	31.8/38.9	045	045	045	045	
460-3-60	STD	116A00	13.9	12.8	042	042	042	042
		113A00	16.5	15.2	042	042	042	042
		114A00	27.8	25.5	042	042	042	042
		115A00	33.0	30.3	042	042	042	042
		114A00,116A00	41.7	38.3	044	044	044	044
	MED	116A00	13.9	12.8	042	042	042	042
		113A00	16.5	15.2	042	042	042	042
		114A00	27.8	25.5	042	042	042	042
		115A00	33.0	30.3	042	042	042	042
		114A00,116A00	41.7	38.3	044	044	044	044
	HIGH	116A00	13.9	12.8	042	042	042	042
		113A00	16.5	15.2	042	042	042	042
114A00		27.8	25.5	042	042	042	042	
115A00		33.0	30.3	042	042	044	044	
114A00,116A00		41.7	38.3	044	044	044	044	
575-3-60	STD	118A00	17.0	17.0	042	042	042	042
		119A00	34.0	34.0	042	042	042	044
	MED	118A00	17.0	17.0	042	042	042	042
		119A00	34.0	34.0	042	042	042	044
	HIGH	118A00	17.0	17.0	042	042	042	042
		119A00	34.0	34.0	042	044	044	044

**LEGEND:**

- APP PWR - 208 / 230V / 460V / 575V
- C.O. - Convenience outlet
- FLA - Full load amps
- IFM - Indoor fan motor
- NOM PWR - 240V / 480V / 600V
- P.E. - Power exhaust
- PWRD - Powered convenience outlet
- UNPWRD - Unpowered convenience outlet

# ELECTRIC HEAT - ELECTRICAL INFORMATION (UNITS PRODUCED ON OR AFTER JULY 30, 2012)

Table 11 (cont.) - 50TC\*\*08

## 2-STAGE COOLING 1-SPEED INDOOR FAN MOTOR WITHOUT FACTORY INSTALLED NON-FUSED DISCONNECT

NOM. V-PH-Hz.	IFM TYPE	ELECTRIC HEATER PART NUMBER CRHEATERXXXXXX	NOM PWR (kW)	APP PWR (kW)	SINGLE POINT KIT PART NUMBER CRSINGLEXXXXXX			
					NO C.O. or UNPWRD C.O.		w/PWRD C.O.	
					NO P.E.	w/P.E. (pwrd fr/unit)	NO P.E.	w/P.E. (pwrd fr/unit)
208/ 230-3-60	STD	117A00	10.4	7.8/9.6	042	042	042	042
		110A00	16.0	12.0/14.7	042	042	043	043
		111A00	24.8	18.6/22.8	043	043	043	043
		112A00	32.0	24.0/29.4	043	043	043	043
		112A00,117A00	42.4	31.8/38.9	045	045	045	045
	MED	117A00	10.4	7.8/9.6	042	042	042	042
		110A00	16.0	12.0/14.7	042	043	043	043
		111A00	24.8	18.6/22.8	043	043	043	043
		112A00	32.0	24.0/29.4	043	043	043	043
		112A00,117A00	42.4	31.8/38.9	045	045	045	045
	HIGH	117A00	10.4	7.8/9.6	042	042	042	042
		110A00	16.0	12.0/14.7	043	043	043	043
111A00		24.8	18.6/22.8	043	043	043	043	
112A00		32.0	24.0/29.4	043	043	043	043	
112A00,117A00		42.4	31.8/38.9	045	045	045	045	
460-3-60	STD	116A00	13.9	12.8	042	042	042	042
		113A00	16.5	15.2	042	042	042	042
		114A00	27.8	25.5	042	042	042	042
		115A00	33.0	30.3	042	042	042	042
		114A00,116A00	41.7	38.3	044	044	044	044
	MED	116A00	13.9	12.8	042	042	042	042
		113A00	16.5	15.2	042	042	042	042
		114A00	27.8	25.5	042	042	042	042
		115A00	33.0	30.3	042	042	042	042
		114A00,116A00	41.7	38.3	044	044	044	044
	HIGH	116A00	13.9	12.8	042	042	042	042
		113A00	16.5	15.2	042	042	042	042
114A00		27.8	25.5	042	042	042	042	
115A00		33.0	30.3	042	042	044	044	
114A00,116A00		41.7	38.3	044	044	044	044	
575-3-60	STD	118A00	17.0	17.0	042	042	042	042
		119A00	34.0	34.0	042	042	042	044
	MED	118A00	17.0	17.0	042	042	042	042
		119A00	34.0	34.0	042	042	042	044
	HIGH	118A00	17.0	17.0	042	042	042	042
		119A00	34.0	34.0	042	044	044	044

**LEGEND:**

- APP PWR - 208 / 230V / 460V / 575V
- C.O. - Convenience outlet
- FLA - Full load amps
- IFM - Indoor fan motor
- NOM PWR - 240V / 480V / 600V
- P.E. - Power exhaust
- PWRD - Powered convenience outlet
- UNPWRD - Unpowered convenience outlet

# ELECTRIC HEAT - ELECTRICAL INFORMATION (UNITS PRODUCED ON OR AFTER JULY 30, 2012)

Table 11 (cont.) - 50TC\*\*08

## 2-STAGE COOLING 1-SPEED INDOOR FAN MOTOR WITH FACTORY INSTALLED NON-FUSED DISCONNECT

NOM. V-PH-Hz.	IFM TYPE	ELECTRIC HEATER PART NUMBER CRHEATERXXXXXX	NOM PWR (kW)	APP PWR (kW)	SINGLE POINT KIT PART NUMBER CRSINGLEXXXXXX			
					NO C.O. or UNPWRD C.O.		w/PWRD C.O.	
					NO P.E.	w/P.E. (pwrd fr/unit)	NO P.E.	w/P.E. (pwrd fr/unit)
208/ 230-3-60	STD	117A00	10.4	7.8/9.6	042	042	042	042
		110A00	16.0	12.0/14.7	042	042	043	043
		111A00	24.8	18.6/22.8	043	043	043	043
		112A00	32.0	24.0/29.4	043	043	043	043
		112A00,117A00	42.4	31.8/38.9	045	045	045	045
	MED	117A00	10.4	7.8/9.6	042	042	042	042
		110A00	16.0	12.0/14.7	042	043	043	043
		111A00	24.8	18.6/22.8	043	043	043	043
		112A00	32.0	24.0/29.4	043	043	043	043
		112A00,117A00	42.4	31.8/38.9	045	045	045	045
	HIGH	117A00	10.4	7.8/9.6	042	042	042	042
		110A00	16.0	12.0/14.7	043	043	043	043
111A00		24.8	18.6/22.8	043	043	043	043	
112A00		32.0	24.0/29.4	043	043	043	043	
112A00,117A00		42.4	31.8/38.9	045	045	045	045	
460-3-60	STD	116A00	13.9	12.8	042	042	042	042
		113A00	16.5	15.2	042	042	042	042
		114A00	27.8	25.5	042	042	042	042
		115A00	33.0	30.3	042	042	042	042
		114A00,116A00	41.7	38.3	044	044	044	044
	MED	116A00	13.9	12.8	042	042	042	042
		113A00	16.5	15.2	042	042	042	042
		114A00	27.8	25.5	042	042	042	042
		115A00	33.0	30.3	042	042	042	042
		114A00,116A00	41.7	38.3	044	044	044	044
	HIGH	116A00	13.9	12.8	042	042	042	042
		113A00	16.5	15.2	042	042	042	042
114A00		27.8	25.5	042	042	042	042	
115A00		33.0	30.3	042	042	044	044	
114A00,116A00		41.7	38.3	044	044	044	044	
575-3-60	STD	118A00	17.0	17.0	042	042	042	042
		119A00	34.0	34.0	042	042	042	044
	MED	118A00	17.0	17.0	042	042	042	042
		119A00	34.0	34.0	042	042	042	044
	HIGH	118A00	17.0	17.0	042	042	042	042
		119A00	34.0	34.0	042	044	044	044

**LEGEND:**

- APP PWR - 208 / 230V / 460V / 575V
- C.O. - Convenience outlet
- FLA - Full load amps
- IFM - Indoor fan motor
- NOM PWR - 240V / 480V / 600V
- P.E. - Power exhaust
- PWRD - Powered convenience outlet
- UNPWRD - Unpowered convenience outlet

# ELECTRIC HEAT - ELECTRICAL INFORMATION (UNITS PRODUCED ON OR AFTER JULY 30, 2012)

Table 11 (cont.) - 50TC\*\*08

## 2-STAGE COOLING 2-SPEED INDOOR FAN MOTOR WITHOUT FACTORY INSTALLED NON-FUSED DISCONNECT

NOM. V-PH-Hz.	IFM TYPE	ELECTRIC HEATER PART NUMBER CRHEATERXXXXXX	NOM PWR (kW)	APP PWR (kW)	SINGLE POINT KIT PART NUMBER CRSINGLEXXXXXX			
					NO C.O. or UNPWRD C.O.		w/PWRD C.O.	
					NO P.E.	w/P.E. (pwrd fr/unit)	NO P.E.	w/P.E. (pwrd fr/unit)
208/ 230-3-60	STD	117A00	10.4	7.8/9.6	042	042	042	042
		110A00	16.0	12.0/14.7	042	042	043	043
		111A00	24.8	18.6/22.8	043	043	043	043
		112A00	32.0	24.0/29.4	043	043	043	043
		112A00,117A00	42.4	31.8/38.9	045	045	045	045
	MED	117A00	10.4	7.8/9.6	042	042	042	042
		110A00	16.0	12.0/14.7	042	043	043	043
		111A00	24.8	18.6/22.8	043	043	043	043
		112A00	32.0	24.0/29.4	043	043	043	043
		112A00,117A00	42.4	31.8/38.9	045	045	045	045
	HIGH	117A00	10.4	7.8/9.6	042	042	042	042
		110A00	16.0	12.0/14.7	043	043	043	043
111A00		24.8	18.6/22.8	043	043	043	043	
112A00		32.0	24.0/29.4	043	043	043	043	
112A00,117A00		42.4	31.8/38.9	045	045	045	045	
460-3-60	STD	116A00	13.9	12.8	042	042	042	042
		113A00	16.5	15.2	042	042	042	042
		114A00	27.8	25.5	042	042	042	042
		115A00	33.0	30.3	042	042	042	042
		114A00,116A00	41.7	38.3	044	044	044	044
	MED	116A00	13.9	12.8	042	042	042	042
		113A00	16.5	15.2	042	042	042	042
		114A00	27.8	25.5	042	042	042	042
		115A00	33.0	30.3	042	042	042	042
		114A00,116A00	41.7	38.3	044	044	044	044
	HIGH	116A00	13.9	12.8	042	042	042	042
		113A00	16.5	15.2	042	042	042	042
114A00		27.8	25.5	042	042	042	042	
115A00		33.0	30.3	042	042	044	044	
114A00,116A00		41.7	38.3	044	044	044	044	
575-3-60	STD	118A00	17.0	17.0	042	042	042	042
		119A00	34.0	34.0	042	042	042	044
	MED	118A00	17.0	17.0	042	042	042	042
		119A00	34.0	34.0	042	044	042	044
	HIGH	118A00	17.0	17.0	042	042	042	042
		119A00	34.0	34.0	042	044	044	044

**LEGEND:**

- APP PWR - 208 / 230V / 460V / 575V
- C.O. - Convenience outlet
- FLA - Full load amps
- IFM - Indoor fan motor
- NOM PWR - 240V / 480V / 600V
- P.E. - Power exhaust
- PWRD - Powered convenience outlet
- UNPWRD - Unpowered convenience outlet

# ELECTRIC HEAT - ELECTRICAL INFORMATION (UNITS PRODUCED ON OR AFTER JULY 30, 2012)

Table 11 (cont.) - 50TC\*\*09

## 1-STAGE COOLING 1-SPEED INDOOR FAN MOTOR WITHOUT FACTORY INSTALLED NON-FUSED DISCONNECT

NOM. V-PH-Hz.	IFM TYPE	ELECTRIC HEATER PART NUMBER CRHEATERXXXXXX	NOM PWR (kW)	APP PWR (kW)	SINGLE POINT KIT PART NUMBER CRSINGLEXXXXXX			
					NO C.O. or UNPWRD C.O.		w/PWRD C.O.	
					NO P.E.	w/P.E. (pwrd fr/unit)	NO P.E.	w/P.E. (pwrd fr/unit)
208/ 203-3-60	STD	117A00	10.4	7.8/9.6	047	047	047	049
		110A00	16.0	12.0/14.7	047	047	049	049
		111A00	24.8	18.6/22.8	049	049	049	049
		112A00	32.0	24.0/29.4	049	049	049	049
		112A00,117A00	42.4	31.8/38.9	051	051	051	051
	MED	117A00	10.4	7.8/9.6	047	047	047	049
		110A00	16.0	12.0/14.7	047	049	049	049
		111A00	24.8	18.6/22.8	049	049	049	049
		112A00	32.0	24.0/29.4	049	049	049	049
		112A00,117A00	42.4	31.8/38.9	051	051	051	051
	HIGH	117A00	10.4	7.8/9.6	047	049	049	049
		110A00	16.0	12.0/14.7	049	049	049	049
111A00		24.8	18.6/22.8	049	049	049	049	
112A00		32.0	24.0/29.4	049	049	049	049	
112A00,117A00		42.4	31.8/38.9	051	051	051	051	
460-3-60	STD	116A00	13.9	12.8	047	047	047	047
		113A00	16.5	15.2	047	047	047	047
		114A00	27.8	25.5	047	047	047	047
		115A00	33.0	30.3	047	047	047	047
		114A00,116A00	41.7	38.3	050	050	050	050
	MED	116A00	13.9	12.8	047	047	047	047
		113A00	16.5	15.2	047	047	047	047
		114A00	27.8	25.5	047	047	047	047
		115A00	33.0	30.3	047	047	047	047
		114A00,116A00	41.7	38.3	050	050	050	050
	HIGH	116A00	13.9	12.8	047	047	047	047
		113A00	16.5	15.2	047	047	047	047
		114A00	27.8	25.5	047	047	047	047
		115A00	33.0	30.3	047	047	047	050
		114A00,116A00	41.7	38.3	050	050	050	050
575-3-60	STD	118A00	17.0	17.0	047	047	047	047
		119A00	34.0	34.0	047	047	047	050
	MED	118A00	17.0	17.0	047	047	047	047
		119A00	34.0	34.0	047	047	047	050
	HIGH	118A00	17.0	17.0	047	047	047	047
		119A00	34.0	34.0	047	047	047	050

**LEGEND:**

- APP PWR - 208 / 230V / 460V / 575V
- C.O. - Convenience outlet
- FLA - Full load amps
- IFM - Indoor fan motor
- NOM PWR - 240V / 480V / 600V
- P.E. - Power exhaust
- PWRD - Powered convenience outlet
- UNPWRD - Unpowered convenience outlet



# ELECTRIC HEAT - ELECTRICAL INFORMATION (UNITS PRODUCED ON OR AFTER JULY 30, 2012)

Table 11 (cont.) - 50TC\*\*09

## 1-STAGE COOLING 1-SPEED INDOOR FAN MOTOR WITH FACTORY INSTALLED NON-FUSED DISCONNECT

NOM. V-PH-Hz.	IFM TYPE	ELECTRIC HEATER PART NUMBER CRHEATERXXXXXX	NOM PWR (kW)	APP PWR (kW)	SINGLE POINT KIT PART NUMBER CRSINGLEXXXXXX			
					NO C.O. or UNPWRD C.O.		w/PWRD C.O.	
					NO P.E.	w/P.E. (pwrd fr/unit)	NO P.E.	w/P.E. (pwrd fr/unit)
208/ 203-3-60	STD	117A00	10.4	7.8/9.6	047	047	047	049
		110A00	16.0	12.0/14.7	047	047	049	049
		111A00	24.8	18.6/22.8	049	049	049	049
		112A00	32.0	24.0/29.4	049	049	049	049
		112A00,117A00	42.4	31.8/38.9	051	051	051	051
	MED	117A00	10.4	7.8/9.6	047	047	047	049
		110A00	16.0	12.0/14.7	047	049	049	049
		111A00	24.8	18.6/22.8	049	049	049	049
		112A00	32.0	24.0/29.4	049	049	049	049
		112A00,117A00	42.4	31.8/38.9	051	051	051	051
	HIGH	117A00	10.4	7.8/9.6	047	049	049	049
		110A00	16.0	12.0/14.7	049	049	049	049
		111A00	24.8	18.6/22.8	049	049	049	049
		112A00	32.0	24.0/29.4	049	049	049	049
		112A00,117A00	42.4	31.8/38.9	051	051	051	051
460-3-60	STD	116A00	13.9	12.8	047	047	047	047
		113A00	16.5	15.2	047	047	047	047
		114A00	27.8	25.5	047	047	047	047
		115A00	33.0	30.3	047	047	047	047
		114A00,116A00	41.7	38.3	050	050	050	050
	MED	116A00	13.9	12.8	047	047	047	047
		113A00	16.5	15.2	047	047	047	047
		114A00	27.8	25.5	047	047	047	047
		115A00	33.0	30.3	047	047	047	047
		114A00,116A00	41.7	38.3	050	050	050	050
	HIGH	116A00	13.9	12.8	047	047	047	047
		113A00	16.5	15.2	047	047	047	047
		114A00	27.8	25.5	047	047	047	047
		115A00	33.0	30.3	047	047	047	050
		114A00,116A00	41.7	38.3	050	050	050	050
575-3-60	STD	118A00	17.0	17.0	047	047	047	047
		119A00	34.0	34.0	047	047	047	050
	MED	118A00	17.0	17.0	047	047	047	047
		119A00	34.0	34.0	047	047	047	050
	HIGH	118A00	17.0	17.0	047	047	047	047
		119A00	34.0	34.0	047	047	047	050

**LEGEND:**

- APP PWR - 208 / 230V / 460V / 575V
- C.O. - Convenience outlet
- FLA - Full load amps
- IFM - Indoor fan motor
- NOM PWR - 240V / 480V / 600V
- P.E. - Power exhaust
- PWRD - Powered convenience outlet
- UNPWRD - Unpowered convenience outlet

# ELECTRIC HEAT - ELECTRICAL INFORMATION (UNITS PRODUCED ON OR AFTER JULY 30, 2012)

Table 11 (cont.) - 50TC\*\*09

## 2-STAGE COOLING 1-SPEED INDOOR FAN MOTOR WITHOUT FACTORY INSTALLED NON-FUSED DISCONNECT

NOM. V-PH-Hz.	IFM TYPE	ELECTRIC HEATER PART NUMBER CRHEATERXXXXXX	NOM PWR (kW)	APP PWR (kW)	SINGLE POINT KIT PART NUMBER CRSINGLEXXXXXX			
					NO C.O. or UNPWRD C.O.		w/PWRD C.O.	
					NO P.E.	w/P.E. (pwrd fr/unit)	NO P.E.	w/P.E. (pwrd fr/unit)
208/ 203-3-60	STD	117A00	10.4	7.8/9.6	047	047	047	047
		110A00	16.0	12.0/14.7	047	047	049	049
		111A00	24.8	18.6/22.8	049	049	049	049
		112A00	32.0	24.0/29.4	049	049	049	049
		112A00,117A00	42.4	31.8/38.9	051	051	051	051
	MED	117A00	10.4	7.8/9.6	047	047	047	047
		110A00	16.0	12.0/14.7	047	049	049	049
		111A00	24.8	18.6/22.8	049	049	049	049
		112A00	32.0	24.0/29.4	049	049	049	049
		112A00,117A00	42.4	31.8/38.9	051	051	051	051
	HIGH	117A00	10.4	7.8/9.6	047	047	047	047
		110A00	16.0	12.0/14.7	049	049	049	049
		111A00	24.8	18.6/22.8	049	049	049	049
		112A00	32.0	24.0/29.4	049	049	049	049
		112A00,117A00	42.4	31.8/38.9	051	051	051	051
460-3-60	STD	116A00	13.9	12.8	047	047	047	047
		113A00	16.5	15.2	047	047	047	047
		114A00	27.8	25.5	047	047	047	047
		115A00	33.0	30.3	047	047	047	047
		114A00,116A00	41.7	38.3	050	050	050	050
	MED	116A00	13.9	12.8	047	047	047	047
		113A00	16.5	15.2	047	047	047	047
		114A00	27.8	25.5	047	047	047	047
		115A00	33.0	30.3	047	047	047	047
		114A00,116A00	41.7	38.3	050	050	050	050
	HIGH	116A00	13.9	12.8	047	047	047	047
		113A00	16.5	15.2	047	047	047	047
		114A00	27.8	25.5	047	047	047	047
		115A00	33.0	30.3	047	047	047	050
		114A00,116A00	41.7	38.3	050	050	050	050
575-3-60	STD	118A00	17.0	17.0	047	047	047	047
		119A00	34.0	34.0	047	047	047	050
	MED	118A00	17.0	17.0	047	047	047	047
		119A00	34.0	34.0	047	047	047	050
	HIGH	118A00	17.0	17.0	047	047	047	047
		119A00	34.0	34.0	047	047	047	050

**LEGEND:**

- APP PWR - 208 / 230V / 460V / 575V
- C.O. - Convenience outlet
- FLA - Full load amps
- IFM - Indoor fan motor
- NOM PWR - 240V / 480V / 600V
- P.E. - Power exhaust
- PWRD - Powered convenience outlet
- UNPWRD - Unpowered convenience outlet

# ELECTRIC HEAT - ELECTRICAL INFORMATION (UNITS PRODUCED ON OR AFTER JULY 30, 2012)

Table 11 (cont.) - 50TC\*\*09

## 2-STAGE COOLING 1-SPEED INDOOR FAN MOTOR WITH FACTORY INSTALLED NON-FUSED DISCONNECT

NOM. V-PH-Hz.	IFM TYPE	ELECTRIC HEATER PART NUMBER CRHEATERXXXXXX	NOM PWR (kW)	APP PWR (kW)	SINGLE POINT KIT PART NUMBER CRSINGLEXXXXXX			
					NO C.O. or UNPWRD C.O.		w/PWRD C.O.	
					NO P.E.	w/P.E. (pwrd fr/unit)	NO P.E.	w/P.E. (pwrd fr/unit)
208/ 203-3-60	STD	117A00	10.4	7.8/9.6	047	047	047	047
		110A00	16.0	12.0/14.7	047	047	049	049
		111A00	24.8	18.6/22.8	049	049	049	049
		112A00	32.0	24.0/29.4	049	049	049	049
		112A00,117A00	42.4	31.8/38.9	051	051	051	051
	MED	117A00	10.4	7.8/9.6	047	047	047	047
		110A00	16.0	12.0/14.7	047	049	049	049
		111A00	24.8	18.6/22.8	049	049	049	049
		112A00	32.0	24.0/29.4	049	049	049	049
		112A00,117A00	42.4	31.8/38.9	051	051	051	051
	HIGH	117A00	10.4	7.8/9.6	047	047	047	047
		110A00	16.0	12.0/14.7	049	049	049	049
		111A00	24.8	18.6/22.8	049	049	049	049
		112A00	32.0	24.0/29.4	049	049	049	049
		112A00,117A00	42.4	31.8/38.9	051	051	051	051
460-3-60	STD	116A00	13.9	12.8	047	047	047	047
		113A00	16.5	15.2	047	047	047	047
		114A00	27.8	25.5	047	047	047	047
		115A00	33.0	30.3	047	047	047	047
		114A00,116A00	41.7	38.3	050	050	050	050
	MED	116A00	13.9	12.8	047	047	047	047
		113A00	16.5	15.2	047	047	047	047
		114A00	27.8	25.5	047	047	047	047
		115A00	33.0	30.3	047	047	047	047
		114A00,116A00	41.7	38.3	050	050	050	050
	HIGH	116A00	13.9	12.8	047	047	047	047
		113A00	16.5	15.2	047	047	047	047
		114A00	27.8	25.5	047	047	047	047
		115A00	33.0	30.3	047	047	047	050
		114A00,116A00	41.7	38.3	050	050	050	050
575-3-60	STD	118A00	17.0	17.0	047	047	047	047
		119A00	34.0	34.0	047	047	047	050
	MED	118A00	17.0	17.0	047	047	047	047
		119A00	34.0	34.0	047	047	047	050
	HIGH	118A00	17.0	17.0	047	047	047	047
		119A00	34.0	34.0	047	047	047	050

**LEGEND:**

- APP PWR - 208 / 230V / 460V / 575V
- C.O. - Convenience outlet
- FLA - Full load amps
- IFM - Indoor fan motor
- NOM PWR - 240V / 480V / 600V
- P.E. - Power exhaust
- PWRD - Powered convenience outlet
- UNPWRD - Unpowered convenience outlet

# ELECTRIC HEAT - ELECTRICAL INFORMATION (UNITS PRODUCED ON OR AFTER JULY 30, 2012)

Table 11 (cont.) - 50TC\*\*09

## 2-STAGE COOLING 2-SPEED INDOOR FAN MOTOR WITHOUT FACTORY INSTALLED NON-FUSED DISCONNECT

NOM. V-PH-Hz.	IFM TYPE	ELECTRIC HEATER PART NUMBER CRHEATERXXXXXX	NOM PWR (kW)	APP PWR (kW)	SINGLE POINT KIT PART NUMBER CRSINGLEXXXXXX			
					NO C.O. or UNPWRD C.O.		w/PWRD C.O.	
					NO P.E.	w/P.E. (pwrd fr/unit)	NO P.E.	w/P.E. (pwrd fr/unit)
208/ 203-3-60	STD	117A00	10.4	7.8/9.6	047	047	047	047
		110A00	16.0	12.0/14.7	047	047	049	049
		111A00	24.8	18.6/22.8	049	049	049	049
		112A00	32.0	24.0/29.4	049	049	049	049
		112A00,117A00	42.4	31.8/38.9	051	051	051	051
	MED	117A00	10.4	7.8/9.6	047	047	047	047
		110A00	16.0	12.0/14.7	047	049	049	049
		111A00	24.8	18.6/22.8	049	049	049	049
		112A00	32.0	24.0/29.4	049	049	049	049
		112A00,117A00	42.4	31.8/38.9	051	051	051	051
	HIGH	117A00	10.4	7.8/9.6	047	047	047	047
		110A00	16.0	12.0/14.7	049	049	049	049
		111A00	24.8	18.6/22.8	049	049	049	049
		112A00	32.0	24.0/29.4	049	049	049	049
		112A00,117A00	42.4	31.8/38.9	051	051	051	051
460-3-60	STD	116A00	13.9	12.8	047	047	047	047
		113A00	16.5	15.2	047	047	047	047
		114A00	27.8	25.5	047	047	047	047
		115A00	33.0	30.3	047	047	047	047
		114A00,116A00	41.7	38.3	050	050	050	050
	MED	116A00	13.9	12.8	047	047	047	047
		113A00	16.5	15.2	047	047	047	047
		114A00	27.8	25.5	047	047	047	047
		115A00	33.0	30.3	047	047	047	047
		114A00,116A00	41.7	38.3	050	050	050	050
	HIGH	116A00	13.9	12.8	047	047	047	047
		113A00	16.5	15.2	047	047	047	047
		114A00	27.8	25.5	047	047	047	047
		115A00	33.0	30.3	047	047	047	050
		114A00,116A00	41.7	38.3	050	050	050	050
575-3-60	STD	118A00	17.0	17.0	047	047	047	047
		119A00	34.0	34.0	047	047	047	050
	MED	118A00	17.0	17.0	047	047	047	047
		119A00	34.0	34.0	047	050	047	050
	HIGH	118A00	17.0	17.0	047	047	047	047
		119A00	34.0	34.0	047	050	047	050

**LEGEND:**

- APP PWR - 208 / 230V / 460V / 575V
- C.O. - Convenience outlet
- FLA - Full load amps
- IFM - Indoor fan motor
- NOM PWR - 240V / 480V / 600V
- P.E. - Power exhaust
- PWRD - Powered convenience outlet
- UNPWRD - Unpowered convenience outlet

# ELECTRIC HEAT - ELECTRICAL INFORMATION (UNITS PRODUCED ON OR AFTER JULY 30, 2012)

Table 11 (cont.) - 50TC\*\*12

## 1-STAGE COOLING 1-SPEED INDOOR FAN MOTOR WITHOUT FACTORY INSTALLED NON-FUSED DISCONNECT

NOM. V-PH-Hz.	IFM TYPE	ELECTRIC HEATER PART NUMBER CRHEATERXXXXXX	NOM PWR (kW)	APP PWR (kW)	SINGLE POINT KIT PART NUMBER CRSINGLEXXXXXX			
					NO C.O. or UNPWRD C.O.		w/PWRD C.O.	
					NO P.E.	w/P.E. (pwrd fr/unit)	NO P.E.	w/P.E. (pwrd fr/unit)
208/ 230-3-60	STD	117A00	10.4	7.8/9.6	047	047	047	049
		110A00	16.0	12.0/14.7	047	049	049	049
		112A00	32.0	24.0/29.4	049	049	049	049
		112A00,117A00	42.4	31.8/38.9	051	051	051	051
		112A00,110A00	50.0	37.6/45.9	051	051	051	051
	MED	117A00	10.4	7.8/9.6	047	049	049	049
		110A00	16.0	12.0/14.7	049	049	049	049
		112A00	32.0	24.0/29.4	049	049	049	049
		112A00,117A00	42.4	31.8/38.9	051	051	051	051
		112A00,110A00	50.0	37.6/45.9	051	051	051	051
	HIGH	117A00	10.4	7.8/9.6	049	049	049	049
		110A00	16.0	12.0/14.7	049	049	049	049
		112A00	32.0	24.0/29.4	049	049	049	049
		112A00,117A00	42.4	31.8/38.9	051	051	051	051
		112A00,110A00	50.0	37.6/45.9	051	051	051	051
460-3-60	STD	116A00	13.9	12.8	047	047	047	047
		113A00	16.5	15.2	047	047	047	047
		115A00	33.0	30.3	047	047	047	047
		114A00,116A00	41.7	38.3	050	050	050	050
		115A00,113A00	50.0	45.9	050	050	050	050
	MED	116A00	13.9	12.8	047	047	047	047
		113A00	16.5	15.2	047	047	047	047
		115A00	33.0	30.3	047	047	047	050
		114A00,116A00	41.7	38.3	050	050	050	050
		115A00,113A00	50.0	45.9	050	050	050	050
	HIGH	116A00	13.9	12.8	047	047	047	047
		113A00	16.5	15.2	047	047	047	047
		115A00	33.0	30.3	047	047	050	050
		114A00,116A00	41.7	38.3	050	050	050	050
		115A00,113A00	50.0	45.9	050	050	050	050
575-3-60	STD	118A00	17.0	17.0	047	047	047	047
		119A00	34.0	34.0	047	047	047	050
		118A00,119A00	51.0	51.0	050	050	050	050
	MED	118A00	17.0	17.0	047	047	047	047
		119A00	34.0	34.0	047	047	047	050
		118A00,119A00	51.0	51.0	050	050	050	050
	HIGH	118A00	17.0	17.0	047	047	047	047
		119A00	34.0	34.0	047	050	050	050
		118A00,119A00	51.0	51.0	050	050	050	050

**LEGEND:**

- APP PWR - 208 / 230V / 460V / 575V
- C.O. - Convenience outlet
- FLA - Full load amps
- IFM - Indoor fan motor
- NOM PWR - 240V / 480V / 600V
- P.E. - Power exhaust
- PWRD - Powered convenience outlet
- UNPWRD - Unpowered convenience outlet

# ELECTRIC HEAT - ELECTRICAL INFORMATION (UNITS PRODUCED ON OR AFTER JULY 30, 2012)

Table 11 (cont.) - 50TC\*\*12

## 1-STAGE COOLING 1-SPEED INDOOR FAN MOTOR WITH FACTORY INSTALLED NON-FUSED DISCONNECT

NOM. V-PH-Hz.	IFM TYPE	ELECTRIC HEATER PART NUMBER CRHEATERXXXXXX	NOM PWR (kW)	APP PWR (kW)	SINGLE POINT KIT PART NUMBER CRSINGLEXXXXXX			
					NO C.O. or UNPWRD C.O.		w/PWRD C.O.	
					NO P.E.	w/P.E. (pwrd fr/unit)	NO P.E.	w/P.E. (pwrd fr/unit)
208/ 230-3-60	STD	117A00	10.4	7.8/9.6	047	047	047	049
		110A00	16.0	12.0/14.7	047	049	049	049
		112A00	32.0	24.0/29.4	049	049	049	049
		112A00,117A00	42.4	31.8/38.9	051	051	051	051
		112A00,110A00	50.0	37.6/45.9	051	051	051	051
	MED	117A00	10.4	7.8/9.6	047	049	049	049
		110A00	16.0	12.0/14.7	049	049	049	049
		112A00	32.0	24.0/29.4	049	049	049	049
		112A00,117A00	42.4	31.8/38.9	051	051	051	051
		112A00,110A00	50.0	37.6/45.9	051	051	051	051
	HIGH	117A00	10.4	7.8/9.6	049	049	049	049
		110A00	16.0	12.0/14.7	049	049	049	049
		112A00	32.0	24.0/29.4	049	049	049	049
		112A00,117A00	42.4	31.8/38.9	051	051	051	051
		112A00,110A00	50.0	37.6/45.9	051	051	051	051
460-3-60	STD	116A00	13.9	12.8	047	047	047	047
		113A00	16.5	15.2	047	047	047	047
		115A00	33.0	30.3	047	047	047	047
		114A00,116A00	41.7	38.3	050	050	050	050
		115A00,113A00	50.0	45.9	050	050	050	050
	MED	116A00	13.9	12.8	047	047	047	047
		113A00	16.5	15.2	047	047	047	047
		115A00	33.0	30.3	047	047	047	050
		114A00,116A00	41.7	38.3	050	050	050	050
		115A00,113A00	50.0	45.9	050	050	050	050
	HIGH	116A00	13.9	12.8	047	047	047	047
		113A00	16.5	15.2	047	047	047	047
		115A00	33.0	30.3	047	047	050	050
		114A00,116A00	41.7	38.3	050	050	050	050
		115A00,113A00	50.0	45.9	050	050	050	050
575-3-60	STD	118A00	17.0	17.0	047	047	047	047
		119A00	34.0	34.0	047	047	047	050
		118A00,119A00	51.0	51.0	050	050	050	050
	MED	118A00	17.0	17.0	047	047	047	047
		119A00	34.0	34.0	047	047	047	050
		118A00,119A00	51.0	51.0	050	050	050	050
	HIGH	118A00	17.0	17.0	047	047	047	047
		119A00	34.0	34.0	047	050	050	050
		118A00,119A00	51.0	51.0	050	050	050	050

**LEGEND:**

- APP PWR - 208 / 230V / 460V / 575V
- C.O. - Convenience outlet
- FLA - Full load amps
- IFM - Indoor fan motor
- NOM PWR - 240V / 480V / 600V
- P.E. - Power exhaust
- PWRD - Powered convenience outlet
- UNPWRD - Unpowered convenience outlet

# ELECTRIC HEAT - ELECTRICAL INFORMATION (UNITS PRODUCED ON OR AFTER JULY 30, 2012)

Table 11 (cont.) - 50TC\*\*12

## 2-STAGE COOLING 1-SPEED INDOOR FAN MOTOR WITHOUT FACTORY INSTALLED NON-FUSED DISCONNECT

NOM. V-PH-Hz.	IFM TYPE	ELECTRIC HEATER PART NUMBER CRHEATERXXXXXX	NOM PWR (kW)	APP PWR (kW)	SINGLE POINT KIT PART NUMBER CRSINGLEXXXXXX			
					NO C.O. or UNPWRD C.O.		w/PWRD C.O.	
					NO P.E.	w/P.E. (pwr fr/unit)	NO P.E.	w/P.E. (pwr fr/unit)
208/ 230-3-60	STD	117A00	10.4	7.8/9.6	047	047	047	047
		110A00	16.0	12.0/14.7	047	049	049	049
		112A00	32.0	24.0/29.4	049	049	049	049
		112A00,117A00	42.4	31.8/38.9	051	051	051	051
		112A00,110A00	50.0	37.6/45.9	051	051	051	051
	MED	117A00	10.4	7.8/9.6	047	047	047	049
		110A00	16.0	12.0/14.7	049	049	049	049
		112A00	32.0	24.0/29.4	049	049	049	049
		112A00,117A00	42.4	31.8/38.9	051	051	051	051
		112A00,110A00	50.0	37.6/45.9	051	051	051	051
	HIGH	117A00	10.4	7.8/9.6	047	047	049	049
		110A00	16.0	12.0/14.7	049	049	049	049
		112A00	32.0	24.0/29.4	049	049	049	049
		112A00,117A00	42.4	31.8/38.9	051	051	051	051
		112A00,110A00	50.0	37.6/45.9	051	051	051	051
460-3-60	STD	116A00	13.9	12.8	047	047	047	047
		113A00	16.5	15.2	047	047	047	047
		115A00	33.0	30.3	047	047	047	047
		114A00,116A00	41.7	38.3	050	050	050	050
		115A00,113A00	50.0	45.9	050	050	050	050
	MED	116A00	13.9	12.8	047	047	047	047
		113A00	16.5	15.2	047	047	047	047
		115A00	33.0	30.3	047	047	047	050
		114A00,116A00	41.7	38.3	050	050	050	050
		115A00,113A00	50.0	45.9	050	050	050	050
	HIGH	116A00	13.9	12.8	047	047	047	047
		113A00	16.5	15.2	047	047	047	047
		115A00	33.0	30.3	047	047	050	050
		114A00,116A00	41.7	38.3	050	050	050	050
		115A00,113A00	50.0	45.9	050	050	050	050
575-3-60	STD	118A00	17.0	17.0	047	047	047	047
		119A00	34.0	34.0	047	047	047	050
		118A00,119A00	51.0	51.0	050	050	050	050
	MED	118A00	17.0	17.0	047	047	047	047
		119A00	34.0	34.0	047	047	047	050
		118A00,119A00	51.0	51.0	050	050	050	050
	HIGH	118A00	17.0	17.0	047	047	047	047
		119A00	34.0	34.0	047	050	050	050
		118A00,119A00	51.0	51.0	050	050	050	050

**LEGEND:**

- APP PWR - 208 / 230V / 460V / 575V
- C.O. - Convenience outlet
- FLA - Full load amps
- IFM - Indoor fan motor
- NOM PWR - 240V / 480V / 600V
- P.E. - Power exhaust
- PWRD - Powered convenience outlet
- UNPWRD - Unpowered convenience outlet

# ELECTRIC HEAT - ELECTRICAL INFORMATION (UNITS PRODUCED ON OR AFTER JULY 30, 2012)

Table 11 (cont.) - 50TC\*\*12

## 2-STAGE COOLING 1-SPEED INDOOR FAN MOTOR WITH FACTORY INSTALLED NON-FUSED DISCONNECT

NOM. V-PH-Hz.	IFM TYPE	ELECTRIC HEATER PART NUMBER CRHEATERXXXXXX	NOM PWR (kW)	APP PWR (kW)	SINGLE POINT KIT PART NUMBER CRSINGLEXXXXXX			
					NO C.O. or UNPWRD C.O.		w/PWRD C.O.	
					NO P.E.	w/P.E. (pwrd fr/unit)	NO P.E.	w/P.E. (pwrd fr/unit)
208/ 230-3-60	STD	117A00	10.4	7.8/9.6	047	047	047	047
		110A00	16.0	12.0/14.7	047	049	049	049
		112A00	32.0	24.0/29.4	049	049	049	049
		112A00,117A00	42.4	31.8/38.9	051	051	051	051
		112A00,110A00	50.0	37.6/45.9	051	051	051	051
	MED	117A00	10.4	7.8/9.6	047	047	047	049
		110A00	16.0	12.0/14.7	049	049	049	049
		112A00	32.0	24.0/29.4	049	049	049	049
		112A00,117A00	42.4	31.8/38.9	051	051	051	051
		112A00,110A00	50.0	37.6/45.9	051	051	051	051
	HIGH	117A00	10.4	7.8/9.6	047	047	049	049
		110A00	16.0	12.0/14.7	049	049	049	049
		112A00	32.0	24.0/29.4	049	049	049	049
		112A00,117A00	42.4	31.8/38.9	051	051	051	051
		112A00,110A00	50.0	37.6/45.9	051	051	051	051
460-3-60	STD	116A00	13.9	12.8	047	047	047	047
		113A00	16.5	15.2	047	047	047	047
		115A00	33.0	30.3	047	047	047	047
		114A00,116A00	41.7	38.3	050	050	050	050
		115A00,113A00	50.0	45.9	050	050	050	050
	MED	116A00	13.9	12.8	047	047	047	047
		113A00	16.5	15.2	047	047	047	047
		115A00	33.0	30.3	047	047	047	050
		114A00,116A00	41.7	38.3	050	050	050	050
		115A00,113A00	50.0	45.9	050	050	050	050
	HIGH	116A00	13.9	12.8	047	047	047	047
		113A00	16.5	15.2	047	047	047	047
		115A00	33.0	30.3	047	047	050	050
		114A00,116A00	41.7	38.3	050	050	050	050
		115A00,113A00	50.0	45.9	050	050	050	050
575-3-60	STD	118A00	17.0	17.0	047	047	047	047
		119A00	34.0	34.0	047	047	047	050
		118A00,119A00	51.0	51.0	050	050	050	050
	MED	118A00	17.0	17.0	047	047	047	047
		119A00	34.0	34.0	047	047	047	050
		118A00,119A00	51.0	51.0	050	050	050	050
	HIGH	118A00	17.0	17.0	047	047	047	047
		119A00	34.0	34.0	047	050	050	050
		118A00,119A00	51.0	51.0	050	050	050	050

**LEGEND:**

- APP PWR - 208 / 230V / 460V / 575V
- C.O. - Convenience outlet
- FLA - Full load amps
- IFM - Indoor fan motor
- NOM PWR - 240V / 480V / 600V
- P.E. - Power exhaust
- PWRD - Powered convenience outlet
- UNPWRD - Unpowered convenience outlet



# ELECTRIC HEAT - ELECTRICAL INFORMATION (UNITS PRODUCED ON OR AFTER JULY 30, 2012)

Table 11 (cont.) - 50TC\*\*12

## 2-STAGE COOLING 2-SPEED INDOOR FAN MOTOR WITHOUT FACTORY INSTALLED NON-FUSED DISCONNECT

NOM. V-PH-Hz.	IFM TYPE	ELECTRIC HEATER PART NUMBER CRHEATERXXXXXX	NOM PWR (kW)	APP PWR (kW)	SINGLE POINT KIT PART NUMBER CRSINGLEXXXXXX			
					NO C.O. or UNPWRD C.O.		w/PWRD C.O.	
					NO P.E.	w/P.E. (pwrd fr/unit)	NO P.E.	w/P.E. (pwrd fr/unit)
208/ 230-3-60	STD	117A00	10.4	7.8/9.6	047	047	047	047
		110A00	16.0	12.0/14.7	047	049	049	049
		112A00	32.0	24.0/29.4	049	049	049	049
		112A00,117A00	42.4	31.8/38.9	051	051	051	051
		112A00,110A00	50.0	37.6/45.9	051	051	051	051
	MED	117A00	10.4	7.8/9.6	047	047	047	049
		110A00	16.0	12.0/14.7	049	049	049	049
		112A00	32.0	24.0/29.4	049	049	049	049
		112A00,117A00	42.4	31.8/38.9	051	051	051	051
		112A00,110A00	50.0	37.6/45.9	051	051	051	051
	HIGH	117A00	10.4	7.8/9.6	047	047	049	049
		110A00	16.0	12.0/14.7	049	049	049	049
		112A00	32.0	24.0/29.4	049	049	049	049
		112A00,117A00	42.4	31.8/38.9	051	051	051	051
		112A00,110A00	50.0	37.6/45.9	051	051	051	051
460-3-60	STD	116A00	13.9	12.8	047	047	047	047
		113A00	16.5	15.2	047	047	047	047
		115A00	33.0	30.3	047	047	047	047
		114A00,116A00	41.7	38.3	050	050	050	050
		115A00,113A00	50.0	45.9	050	050	050	050
	MED	116A00	13.9	12.8	047	047	047	047
		113A00	16.5	15.2	047	047	047	047
		115A00	33.0	30.3	047	047	047	050
		114A00,116A00	41.7	38.3	050	050	050	050
		115A00,113A00	50.0	45.9	050	050	050	050
	HIGH	116A00	13.9	12.8	047	047	047	047
		113A00	16.5	15.2	047	047	047	047
		115A00	33.0	30.3	047	047	050	050
		114A00,116A00	41.7	38.3	050	050	050	050
		115A00,113A00	50.0	45.9	050	050	050	050
575-3-60	STD	118A00	17.0	17.0	047	047	047	047
		119A00	34.0	34.0	047	050	047	050
		118A00,119A00	51.0	51.0	050	050	050	050
	MED	118A00	17.0	17.0	047	047	047	047
		119A00	34.0	34.0	047	050	047	050
		118A00,119A00	51.0	51.0	050	050	050	050
	HIGH	118A00	17.0	17.0	047	047	047	047
		119A00	34.0	34.0	047	050	050	050
		118A00,119A00	51.0	51.0	050	050	050	050

**LEGEND:**

- APP PWR - 208 / 230V / 460V / 575V
- C.O. - Convenience outlet
- FLA - Full load amps
- IFM - Indoor fan motor
- NOM PWR - 240V / 480V / 600V
- P.E. - Power exhaust
- PWRD - Powered convenience outlet
- UNPWRD - Unpowered convenience outlet

# ELECTRIC HEAT - ELECTRICAL INFORMATION

## (UNITS PRODUCED ON OR AFTER JULY 30, 2012)

Table 11 (cont.) - 50TC\*\*14

### 2-STAGE COOLING 1-SPEED INDOOR FAN MOTOR WITHOUT FACTORY INSTALLED NON-FUSED DISCONNECT

NOM. V-PH-Hz.	IFM TYPE	ELECTRIC HEATER PART NUMBER CRHEATERXXXXXX	NOM PWR (kW)	APP PWR (kW)	SINGLE POINT KIT PART NUMBER CRSINGLEXXXXXX			
					NO C.O. or UNPWRD C.O.		w/PWRD C.O.	
					NO P.E.	w/P.E. (pwrd fr/unit)	NO P.E.	w/P.E. (pwrd fr/unit)
208/ 230-3-60	STD	117A00	10.4	7.8/9.6	049	049	049	049
		110A00	16.0	12.0/14.7	049	049	049	049
		112A00	32.0	24.0/29.4	049	049	049	049
		112A00,117A00	42.4	31.8/38.9	051	051	051	051
		112A00,110A00	50.0	37.6/45.9	051	051	051	051
	MED	117A00	10.4	7.8/9.6	049	049	049	049
		110A00	16.0	12.0/14.7	049	049	049	049
		112A00	32.0	24.0/29.4	049	049	049	049
		112A00,117A00	42.4	31.8/38.9	051	051	051	051
		112A00,110A00	50.0	37.6/45.9	051	051	051	051
	HIGH	117A00	10.4	7.8/9.6	049	049	049	049
		110A00	16.0	12.0/14.7	049	049	049	049
		112A00	32.0	24.0/29.4	049	049	049	049
		112A00,117A00	42.4	31.8/38.9	051	051	051	051
		112A00,110A00	50.0	37.6/45.9	051	051	051	051
460-3-60	STD	116A00	13.9	12.8	047	047	047	047
		113A00	16.5	15.2	047	047	047	047
		115A00	33.0	30.3	047	047	047	047
		114A00,116A00	41.7	38.3	050	050	050	050
		115A00,113A00	50.0	45.9	050	050	050	050
	MED	116A00	13.9	12.8	047	047	047	047
		113A00	16.5	15.2	047	047	047	047
		115A00	33.0	30.3	047	047	047	050
		114A00,116A00	41.7	38.3	050	050	050	050
		115A00,113A00	50.0	45.9	050	050	050	050
	HIGH	116A00	13.9	12.8	047	047	047	047
		113A00	16.5	15.2	047	047	047	047
		115A00	33.0	30.3	047	047	050	050
		114A00,116A00	41.7	38.3	050	050	050	050
		115A00,113A00	50.0	45.9	050	050	050	050
575-3-60	STD	118A00	17.0	17.0	047	047	047	047
		119A00	34.0	34.0	047	047	047	050
		118A00,119A00	51.0	51.0	050	050	050	050
	MED	118A00	17.0	17.0	047	047	047	047
		119A00	34.0	34.0	047	047	047	050
		118A00,119A00	51.0	51.0	050	050	050	050
	HIGH	118A00	17.0	17.0	047	047	047	047
		119A00	34.0	34.0	047	050	050	050
		118A00,119A00	51.0	51.0	050	050	050	050

**LEGEND:**

- APP PWR - 208 / 230V / 460V / 575V
- C.O. - Convenience outlet
- FLA - Full load amps
- IFM - Indoor fan motor
- NOM PWR - 240V / 480V / 600V
- P.E. - Power exhaust
- PWRD - Powered convenience outlet
- UNPWRD - Unpowered convenience outlet

# ELECTRIC HEAT - ELECTRICAL INFORMATION (UNITS PRODUCED ON OR AFTER JULY 30, 2012)

Table 11 (cont.) - 50TC\*\*14

## 2-STAGE COOLING 1-SPEED INDOOR FAN MOTOR WITH FACTORY INSTALLED NON-FUSED DISCONNECT

NOM. V-PH-Hz.	IFM TYPE	ELECTRIC HEATER PART NUMBER CRHEATERXXXXXX	NOM PWR (kW)	APP PWR (kW)	SINGLE POINT KIT PART NUMBER CRSINGLEXXXXXX			
					NO C.O. or UNPWRD C.O.		w/PWRD C.O.	
					NO P.E.	w/P.E. (pwrd fr/unit)	NO P.E.	w/P.E. (pwrd fr/unit)
208/ 230-3-60	STD	117A00	10.4	7.8/9.6	049	049	049	049
		110A00	16.0	12.0/14.7	049	049	049	049
		112A00	32.0	24.0/29.4	049	049	049	049
		112A00,117A00	42.4	31.8/38.9	051	051	051	051
		112A00,110A00	50.0	37.6/45.9	051	051	051	051
	MED	117A00	10.4	7.8/9.6	049	049	049	049
		110A00	16.0	12.0/14.7	049	049	049	049
		112A00	32.0	24.0/29.4	049	049	049	049
		112A00,117A00	42.4	31.8/38.9	051	051	051	051
		112A00,110A00	50.0	37.6/45.9	051	051	051	051
	HIGH	117A00	10.4	7.8/9.6	-	-	-	049
		110A00	16.0	12.0/14.7	049	049	049	049
		112A00	32.0	24.0/29.4	049	049	049	049
		112A00,117A00	42.4	31.8/38.9	051	051	051	051
		112A00,110A00	50.0	37.6/45.9	051	051	051	051
460-3-60	STD	116A00	13.9	12.8	047	047	047	047
		113A00	16.5	15.2	047	047	047	047
		115A00	33.0	30.3	047	047	047	047
		114A00,116A00	41.7	38.3	050	050	050	050
		115A00,113A00	50.0	45.9	050	050	050	050
	MED	116A00	13.9	12.8	047	047	047	047
		113A00	16.5	15.2	047	047	047	047
		115A00	33.0	30.3	047	047	047	050
		114A00,116A00	41.7	38.3	050	050	050	050
		115A00,113A00	50.0	45.9	050	050	050	050
	HIGH	116A00	13.9	12.8	047	047	047	047
		113A00	16.5	15.2	047	047	047	047
		115A00	33.0	30.3	047	047	050	050
		114A00,116A00	41.7	38.3	050	050	050	050
		115A00,113A00	50.0	45.9	050	050	050	050
575-3-60	STD	118A00	17.0	17.0	047	047	047	047
		119A00	34.0	34.0	047	047	047	050
		118A00,119A00	51.0	51.0	050	050	050	050
	MED	118A00	17.0	17.0	047	047	047	047
		119A00	34.0	34.0	047	047	047	050
		118A00,119A00	51.0	51.0	050	050	050	050
	HIGH	118A00	17.0	17.0	047	047	047	047
		119A00	34.0	34.0	047	050	050	050
		118A00,119A00	51.0	51.0	050	050	050	050

**LEGEND:**

- APP PWR - 208 / 230V / 460V / 575V
- C.O. - Convenience outlet
- FLA - Full load amps
- IFM - Indoor fan motor
- NOM PWR - 240V / 480V / 600V
- P.E. - Power exhaust
- PWRD - Powered convenience outlet
- UNPWRD - Unpowered convenience outlet

# ELECTRIC HEAT - ELECTRICAL INFORMATION (UNITS PRODUCED ON OR AFTER JULY 30, 2012)

Table 11 (cont.) - 50TC\*\*14

## 2-STAGE COOLING 2-SPEED INDOOR FAN MOTOR WITHOUT FACTORY INSTALLED NON-FUSED DISCONNECT

NOM. V-PH-Hz.	IFM TYPE	ELECTRIC HEATER PART NUMBER CRHEATERXXXXXX	NOM PWR (kW)	APP PWR (kW)	SINGLE POINT KIT PART NUMBER CRSINGLEXXXXXX			
					NO C.O. or UNPWRD C.O.		w/PWRD C.O.	
					NO P.E.	w/P.E. (pwrd fr/unit)	NO P.E.	w/P.E. (pwrd fr/unit)
208/ 230-3-60	STD	117A00	10.4	7.8/9.6	049	049	049	049
		110A00	16.0	12.0/14.7	049	049	049	049
		112A00	32.0	24.0/29.4	049	049	049	049
		112A00,117A00	42.4	31.8/38.9	051	051	051	051
		112A00,110A00	50.0	37.6/45.9	051	051	051	051
	MED	117A00	10.4	7.8/9.6	049	049	049	049
		110A00	16.0	12.0/14.7	049	049	049	049
		112A00	32.0	24.0/29.4	049	049	049	049
		112A00,117A00	42.4	31.8/38.9	051	051	051	051
		112A00,110A00	50.0	37.6/45.9	051	051	051	051
	HIGH	117A00	10.4	7.8/9.6	-	-	-	049
		110A00	16.0	12.0/14.7	049	049	049	049
		112A00	32.0	24.0/29.4	049	049	049	049
		112A00,117A00	42.4	31.8/38.9	051	051	051	051
		112A00,110A00	50.0	37.6/45.9	051	051	051	051
460-3-60	STD	116A00	13.9	12.8	047	047	047	047
		113A00	16.5	15.2	047	047	047	047
		115A00	33.0	30.3	047	047	047	047
		114A00,116A00	41.7	38.3	050	050	050	050
		115A00,113A00	50.0	45.9	050	050	050	050
	MED	116A00	13.9	12.8	047	047	047	047
		113A00	16.5	15.2	047	047	047	047
		115A00	33.0	30.3	047	047	047	050
		114A00,116A00	41.7	38.3	050	050	050	050
		115A00,113A00	50.0	45.9	050	050	050	050
	HIGH	116A00	13.9	12.8	047	047	047	047
		113A00	16.5	15.2	047	047	047	047
		115A00	33.0	30.3	047	047	050	050
		114A00,116A00	41.7	38.3	050	050	050	050
		115A00,113A00	50.0	45.9	050	050	050	050
575-3-60	STD	118A00	17.0	17.0	047	047	047	047
		119A00	34.0	34.0	047	050	047	050
		118A00,119A00	51.0	51.0	050	050	050	050
	MED	118A00	17.0	17.0	047	047	047	047
		119A00	34.0	34.0	047	050	047	050
		118A00,119A00	51.0	51.0	050	050	050	050
	HIGH	118A00	17.0	17.0	047	047	047	047
		119A00	34.0	34.0	047	050	050	050
		118A00,119A00	51.0	51.0	050	050	050	050

**LEGEND:**

- APP PWR - 208 / 230V / 460V / 575V
- C.O. - Convenience outlet
- FLA - Full load amps
- IFM - Indoor fan motor
- NOM PWR - 240V / 480V / 600V
- P.E. - Power exhaust
- PWRD - Powered convenience outlet
- UNPWRD - Unpowered convenience outlet

# ELECTRIC HEAT - ELECTRICAL INFORMATION (UNITS PRODUCED ON OR AFTER JULY 30, 2012)

Table 11 (cont.) - 50TC\*\*16

## 2-STAGE COOLING 1-SPEED INDOOR FAN MOTOR WITHOUT FACTORY INSTALLED NON-FUSED DISCONNECT

NOM. V-PH-Hz.	IFM TYPE	ELECTRIC HEATER PART NUMBER CRHEATERXXXXXX	NOM PWR (kW)	APP PWR (kW)	SINGLE POINT KIT PART NUMBER CRSINGLEXXXXXX			
					NO C.O. or UNPWRD C.O.		w/PWRD C.O.	
					NO P.E.	w/P.E. (pwrd fr/unit)	NO P.E.	w/P.E. (pwrd fr/unit)
208/ 230-3-60	STD	291A00	16.5	12.4/15.2	049	049	049	049
		294A00	33.5	25.2/30.8	049	049	049	049
		288A00,294A00	43.5	32.7/40.0	051	051	051	051
		291A00,294A00	50.0	37.6/45.9	051	051	051	051
		294A00,294A00	67.0	50.3/61.5	053	053	053	053
	MED	291A00	16.5	12.4/15.2	049	049	049	049
		294A00	33.5	25.2/30.8	049	049	049	049
		288A00,294A00	43.5	32.7/40.0	051	051	051	051
		291A00,294A00	50.0	37.6/45.9	051	051	051	051
		294A00,294A00	67.0	50.3/61.5	053	053	053	053
	HIGH	291A00	16.5	12.4/15.2	049	049	049	049
		294A00	33.5	25.2/30.8	049	049	049	049
288A00,294A00		43.5	32.7/40.0	051	051	051	051	
291A00,294A00		50.0	37.6/45.9	051	051	051	051	
294A00,294A00		67.0	50.3/61.5	053	053	053	053	
460-3-60	STD	292A00	16.5	15.2	-	-	-	-
		295A00	33.5	30.8	047	047	047	050
		289A00,295A00	43.5	40.0	050	050	050	050
		292A00,295A00	50.0	45.9	050	050	050	050
		295A00,295A00	67.0	61.5	050	050	050	050
	MED	292A00	16.5	15.2	-	-	-	-
		295A00	33.5	30.8	047	047	047	050
		289A00,295A00	43.5	40.0	050	050	050	050
		292A00,295A00	50.0	45.9	050	050	050	050
		295A00,295A00	67.0	61.5	050	050	050	050
	HIGH	292A00	16.5	15.2	-	-	-	-
		295A00	33.5	30.8	050	050	050	050
289A00,295A00		43.5	40.0	050	050	050	050	
292A00,295A00		50.0	45.9	050	050	050	050	
295A00,295A00		67.0	61.5	050	050	050	050	
575-3-60	STD	293A00	16.5	15.2	-	-	-	-
		296A00	33.5	30.8	047	047	047	047
		290A00,296A00	43.5	40.0	047	050	047	050
		293A00,296A00	50.0	45.9	047	047	047	047
		296A00,296A00	67.0	61.5	050	050	050	050
	MED	293A00	16.5	15.2	-	-	-	-
		296A00	33.5	30.8	047	047	047	047
		290A00,296A00	43.5	40.0	047	050	047	050
		293A00,296A00	50.0	45.9	047	047	047	047
		296A00,296A00	67.0	61.5	050	050	050	050
	HIGH	293A00	16.5	15.2	-	-	-	-
		296A00	33.5	30.8	047	047	047	047
290A00,296A00		43.5	40.0	050	050	050	050	
293A00,296A00		50.0	45.9	050	050	050	050	
296A00,296A00		67.0	61.5	050	050	050	050	

**LEGEND:**

- APP PWR - 208 / 230V / 460V / 575V
- C.O. - Convenience outlet
- FLA - Full load amps
- IFM - Indoor fan motor
- NOM PWR - 240V / 480V / 600V
- P.E. - Power exhaust
- PWRD - Powered convenience outlet
- UNPWRD - Unpowered convenience outlet

# ELECTRIC HEAT - ELECTRICAL INFORMATION (UNITS PRODUCED ON OR AFTER JULY 30, 2012)

Table 11 (cont.) - 50TC\*\*16

## 2-STAGE COOLING 1-SPEED INDOOR FAN MOTOR WITH FACTORY INSTALLED NON-FUSED DISCONNECT

NOM. V-PH-Hz.	IFM TYPE	ELECTRIC HEATER PART NUMBER CRHEATERXXXXXX	NOM PWR (kW)	APP PWR (kW)	SINGLE POINT KIT PART NUMBER CRSINGLEXXXXXX			
					NO C.O. or UNPWRD C.O.		w/PWRD C.O.	
					NO P.E.	w/P.E. (pwrd fr/unit)	NO P.E.	w/P.E. (pwrd fr/unit)
208/ 230-3-60	STD	291A00	16.5	12.4/15.2	049	049	049	049
		294A00	33.5	25.2/30.8	049	049	049	049
		288A00,294A00	43.5	32.7/40.0	051	051	051	051
		291A00,294A00	50.0	37.6/45.9	051	051	051	051
		294A00,294A00	67.0	50.3/61.5	053	053	053	053
	MED	291A00	16.5	12.4/15.2	049	049	049	049
		294A00	33.5	25.2/30.8	049	049	049	049
		288A00,294A00	43.5	32.7/40.0	051	051	051	051
		291A00,294A00	50.0	37.6/45.9	051	051	051	051
		294A00,294A00	67.0	50.3/61.5	053	053	053	053
	HIGH	291A00	16.5	12.4/15.2	049	049	049	049
		294A00	33.5	25.2/30.8	049	049	049	049
288A00,294A00		43.5	32.7/40.0	051	051	051	051	
291A00,294A00		50.0	37.6/45.9	051	051	051	051	
294A00,294A00		67.0	50.3/61.5	053	053	053	053	
460-3-60	STD	292A00	16.5	15.2	-	-	-	-
		295A00	33.5	30.8	047	047	047	050
		289A00,295A00	43.5	40.0	050	050	050	050
		292A00,295A00	50.0	45.9	050	050	050	050
		295A00,295A00	67.0	61.5	050	050	050	050
	MED	292A00	16.5	15.2	-	-	-	-
		295A00	33.5	30.8	047	047	047	050
		289A00,295A00	43.5	40.0	050	050	050	050
		292A00,295A00	50.0	45.9	050	050	050	050
		295A00,295A00	67.0	61.5	050	050	050	050
	HIGH	292A00	16.5	15.2	-	-	-	-
		295A00	33.5	30.8	050	050	050	050
289A00,295A00		43.5	40.0	050	050	050	050	
292A00,295A00		50.0	45.9	050	050	050	050	
295A00,295A00		67.0	61.5	050	050	050	050	
575-3-60	STD	293A00	16.5	15.2	-	-	-	-
		296A00	33.5	30.8	047	047	047	047
		290A00,296A00	43.5	40.0	047	050	047	050
		293A00,296A00	50.0	45.9	047	047	047	047
		296A00,296A00	67.0	61.5	050	050	050	050
	MED	293A00	16.5	15.2	-	-	-	-
		296A00	33.5	30.8	047	047	047	047
		290A00,296A00	43.5	40.0	047	050	047	050
		293A00,296A00	50.0	45.9	047	047	047	047
		296A00,296A00	67.0	61.5	050	050	050	050
	HIGH	293A00	16.5	15.2	-	-	-	-
		296A00	33.5	30.8	047	047	047	047
290A00,296A00		43.5	40.0	050	050	050	050	
293A00,296A00		50.0	45.9	050	050	050	050	
296A00,296A00		67.0	61.5	050	050	050	050	

**LEGEND:**

- APP PWR - 208 / 230V / 460V / 575V
- C.O. - Convenience outlet
- FLA - Full load amps
- IFM - Indoor fan motor
- NOM PWR - 240V / 480V / 600V
- P.E. - Power exhaust
- PWRD - Powered convenience outlet
- UNPWRD - Unpowered convenience outlet

# ELECTRIC HEAT - ELECTRICAL INFORMATION (UNITS PRODUCED ON OR AFTER JULY 30, 2012)

Table 11 (cont.) - 50TC\*\*16

## 2-STAGE COOLING 2-SPEED INDOOR FAN MOTOR WITHOUT FACTORY INSTALLED NON-FUSED DISCONNECT

NOM. V-PH-Hz.	IFM TYPE	ELECTRIC HEATER PART NUMBER CRHEATERXXXXXX	NOM PWR (kW)	APP PWR (kW)	SINGLE POINT KIT PART NUMBER CRSINGLEXXXXXX			
					NO C.O. or UNPWRD C.O.		w/PWRD C.O.	
					NO P.E.	w/PE. (pwrd fr/unit)	NO P.E.	w/PE. (pwrd fr/unit)
208/ 230-3-60	STD	291A00	16.5	12.4/15.2	049	049	049	049
		294A00	33.5	25.2/30.8	049	049	049	049
		288A00,294A00	43.5	32.7/40.0	051	051	051	051
		291A00,294A00	50.0	37.6/45.9	051	051	051	051
		294A00,294A00	67.0	50.3/61.5	053	053	053	053
	MED	291A00	16.5	12.4/15.2	049	049	049	049
		294A00	33.5	25.2/30.8	049	049	049	049
		288A00,294A00	43.5	32.7/40.0	051	051	051	051
		291A00,294A00	50.0	37.6/45.9	051	051	051	051
		294A00,294A00	67.0	50.3/61.5	053	053	053	053
	HIGH	294A00	33.5	25.2/30.8	049	049	049	049
		288A00,294A00	43.5	32.7/40.0	051	051	051	051
291A00,294A00		50.0	37.6/45.9	051	051	051	051	
294A00,294A00		67.0	50.3/61.5	053	053	053	053	
460-3-60	STD	292A00	16.5	15.2	-	-	-	-
		295A00	33.5	30.8	047	047	047	050
		289A00,295A00	43.5	40.0	050	050	050	050
		292A00,295A00	50.0	45.9	050	050	050	050
		295A00,295A00	67.0	61.5	050	050	050	050
	MED	292A00	16.5	15.2	-	-	-	-
		295A00	33.5	30.8	047	047	047	050
		289A00,295A00	43.5	40.0	050	050	050	050
		292A00,295A00	50.0	45.9	050	050	050	050
		295A00,295A00	67.0	61.5	050	050	050	050
	HIGH	292A00	16.5	15.2	-	-	-	-
		295A00	33.5	30.8	050	050	050	050
289A00,295A00		43.5	40.0	050	050	050	050	
292A00,295A00		50.0	45.9	050	050	050	050	
295A00,295A00		67.0	61.5	050	050	050	050	
575-3-60	STD	293A00	16.5	15.2	-	-	-	-
		296A00	33.5	30.8	047	047	047	047
		290A00,296A00	43.5	40.0	047	050	047	050
		293A00,296A00	50.0	45.9	047	047	047	050
		296A00,296A00	67.0	61.5	050	050	050	050
	MED	293A00	16.5	15.2	-	-	-	-
		296A00	33.5	30.8	047	047	047	047
		290A00,296A00	43.5	40.0	047	050	047	050
		293A00,296A00	50.0	45.9	047	047	047	050
		296A00,296A00	67.0	61.5	050	050	050	050
	HIGH	293A00	16.5	15.2	-	-	-	-
		296A00	33.5	30.8	047	047	047	047
290A00,296A00		43.5	40.0	050	050	050	050	
293A00,296A00		50.0	45.9	050	050	050	050	
296A00,296A00		67.0	61.5	050	050	050	050	

**LEGEND:**

- APP PWR - 208 / 230V / 460V / 575V
- C.O. - Convenience outlet
- FLA - Full load amps
- IFM - Indoor fan motor
- NOM PWR - 240V / 480V / 600V
- P.E. - Power exhaust
- PWRD - Powered convenience outlet
- UNPWRD - Unpowered convenience outlet

# ELECTRICAL INFORMATION (UNITS PRODUCED ON OR AFTER JULY 30, 2012) cont.

**Table 12 – UNIT WIRE/FUSE OR HACR BREAKER SIZING DATA**

UNIT	NO M, V-Ph-HZ	ELEC. HTR				NO C.O. or UNPWR C.O.													
		IFM TYPE	CRHEATER***A00	Nom (kW)	FLA	NO PE.			w/ P.E. (pwrld fr/unit)			NO PE.			w/ PWR C.O.				
						MCA	MAX FUSE or HACR BRKR	DISC. SIZE	FLA	LRA	MCA	MAX FUSE or HACR BRKR	DISC. SIZE	FLA	LRA	MCA	MAX FUSE or HACR BRKR	DISC. SIZE	FLA
50TC**04	208/230-1-60	NONE	-	-	-	28	40	26	95	30	45	29	97	32	100	34	50	34	102
		101A	3.3/4.4	15.9/18.3	28/29	40/40	26/27	95/95	30/32	45/45	29/29	97/97	32/32	100/100	35/38	50/50	34/34	102/102	
		102A	4.9/6.5	23.5/27.1	36/40	40/45	33/37	95/95	38/43	45/45	35/39	97/97	38/42	100/100	44/49	50/50	40/45	102/102	
		103B	6.5/8.7	31.4/36.3	49/52	50/60	42/47	95/95	48/54	50/60	44/50	97/97	47/53	100/100	54/60	60/60	49/55	102/102	
		104B	7.9/10.5	37.9/43.8	54/61	60/70	49/56	60/70	56/64	60/70	51/58	97/97	55/62	100/100	62/70	70/70	57/64	102/102	
	102A+102A	9.8/13.0	46.9/54.2	65/74	70/80	60/68	70/80	68/77	70/80	62/70	97/97	65/73	100/100	74/83	80/90	67/76	102/102		
	101A	3.3/4.4	15.9/18.3	28/29	40/40	26/27	95/95	30/32	45/45	29/29	97/97	32/32	100/100	35/38	50/50	34/34	102/102		
	102A	4.9/6.5	23.5/27.1	36/40	40/45	33/37	95/95	38/43	45/45	35/39	97/97	38/42	100/100	44/49	50/50	40/45	102/102		
	103B	6.5/8.7	31.4/36.3	49/52	50/60	42/47	95/95	48/54	50/60	44/50	97/97	47/53	100/100	54/60	60/60	49/55	102/102		
	104B	7.9/10.5	37.9/43.8	54/61	60/70	49/56	60/70	56/64	60/70	51/58	97/97	55/62	100/100	62/70	70/70	57/64	102/102		
102A+102A	9.8/13.0	46.9/54.2	65/74	70/80	60/68	70/80	68/77	70/80	62/70	97/97	65/73	100/100	74/83	80/90	67/76	102/102			
208/230-3-60	208/230-3-60	NONE	-	-	-	20	30	20	96	22	30	22	98	25	101	27	30	27	103
		101A	3.3/4.4	9.2/10.6	20/20	30/30	20/20	96/96	22/23	30/30	22/22	98/98	25/25	101/101	27/29	30/30	27/27	103/103	
		102A	4.9/6.5	13.6/15.6	24/26	30/30	22/24	96/96	26/29	30/30	24/26	98/98	27/29	101/101	32/35	35/35	29/32	103/103	
		103B	6.5/8.7	18.1/20.9	30/33	30/35	27/30	96/96	32/35	35/40	29/32	98/98	32/36	101/101	38/41	40/45	35/38	103/103	
		104B	7.9/10.5	21.9/25.3	34/39	35/40	31/35	96/96	37/41	40/45	33/37	98/98	37/41	101/101	43/47	45/50	39/43	103/103	
	105A	12.0/16.0	33.4/38.5	49/55	50/60	44/50	50/60	51/57	60/60	47/52	98/98	50/56	101/101	57/63	60/70	52/58	103/103		
	101A	3.3/4.4	9.2/10.6	20/20	30/30	20/20	96/96	22/23	30/30	22/22	98/98	25/25	101/101	27/29	30/30	27/27	103/103		
	102A	4.9/6.5	13.6/15.6	24/26	30/30	22/24	96/96	26/29	30/30	24/26	98/98	27/29	101/101	32/35	35/35	29/32	103/103		
	103B	6.5/8.7	18.1/20.9	30/33	30/35	27/30	96/96	32/35	35/40	29/32	98/98	32/36	101/101	38/41	40/45	35/38	103/103		
	104B	7.9/10.5	21.9/25.3	34/39	35/40	31/35	96/96	37/41	40/45	33/37	98/98	37/41	101/101	43/47	45/50	39/43	103/103		
105A	12.0/16.0	33.4/38.5	49/55	50/60	44/50	50/60	51/57	60/60	47/52	98/98	50/56	101/101	57/63	60/70	52/58	103/103			
HIGH	208/230-3-60	NONE	-	-	-	22/22	30/30	22/21	134	24/24	30/30	24/24	136	27/26	139	29/28	35/35	29/29	141
		101A	3.3/4.4	9.2/10.6	22/22	30/30	22/21	134/134	24/24	30/30	24/24	136/136	27/27	139/139	29/30	35/35	29/29	141/141	
		102A	4.9/6.5	13.6/15.6	26/28	30/30	24/26	134/134	28/31	30/35	26/28	136/136	29/31	139/139	34/37	35/40	31/33	141/141	
		103B	6.5/8.7	18.1/20.9	32/35	35/35	29/32	134/134	34/37	35/40	31/34	136/136	34/37	139/139	40/43	40/45	36/39	141/141	
		104B	7.9/10.5	21.9/25.3	36/40	40/40	33/37	134/134	39/43	40/45	35/39	136/136	39/42	139/139	45/49	45/50	41/45	141/141	
105A	12.0/16.0	33.4/38.5	51/57	60/60	46/52	60/60	53/59	60/60	49/54	136/136	52/58	139/139	59/65	60/70	54/60	141/141			



**ELECTRICAL INFORMATION  
(UNITS PRODUCED ON OR AFTER JULY 30, 2012) cont.**

**Table 12 - Unit Wire/Fuse or HACR Breaker Sizing Data (cont.)**

UNIT	NO M, V, Ph-HZ	ELEC. HTR			NO C.O. or UNPWR C.O.										w/ PWRD C.O.									
		IFM TYPE	CRHEATER***A00	Nom (kW)	FLA	NO PE.			w/ PE. (pwrdr fr/unit)			NO PE.			w/ PWRD C.O.			w/ PE. (pwrdr fr/unit)						
						MCA	MAX FUSE or HACR BRKR	DISC. SIZE FLA LRA	MCA	MAX FUSE or HACR BRKR	DISC. SIZE FLA LRA	MCA	MAX FUSE or HACR BRKR	DISC. SIZE FLA LRA	MCA	MAX FUSE or HACR BRKR	DISC. SIZE FLA LRA							
50TC**04	460-3-60	STD	NONE	-	-	11	15	11	49	12	15	12	50	13	15	13	51	14	20	14	20	14	52	
			106A	6.0	7.2	11	15	11	49	12	15	12	50	15	15	14	51	17	20	15	20	15	52	
			107A	8.8	10.6	15	20	15	49	16	20	16	50	20	20	18	51	21	25	19	25	19	52	
			108A	11.5	13.8	19	25	19	49	20	25	20	50	24	25	21	51	25	25	23	25	23	52	
			109A	14.0	16.8	22	25	22	49	23	30	23	50	27	30	25	51	29	30	26	30	26	52	
575-3-60	460-3-60	HIGH	NONE	-	-	12	15	12	68	13	15	13	69	14	20	14	70	15	20	15	20	14	71	
			106A	6.0	7.2	12	15	12	68	13	15	13	69	16	20	15	70	18	20	16	20	16	71	
			107A	8.8	10.6	16	20	16	68	17	20	17	69	21	25	19	70	22	25	20	25	20	71	
			108A	11.5	13.8	20	25	20	68	21	25	21	69	25	25	22	70	26	30	23	30	23	71	
			109A	14.0	16.8	23	30	23	68	24	30	24	69	28	30	26	70	30	30	27	30	27	71	
575-3-60	460-3-60	STD	NONE	-	-	8	15	8	46	10	15	10	48	10	15	10	48	12	15	12	15	50		
			NONE	-	-	8	15	8	46	10	15	10	48	10	15	10	48	12	15	12	15	50		
			NONE	-	-	8	15	7	50	10	15	10	52	10	15	9	52	11	15	12	15	54		

**ELECTRICAL INFORMATION  
(UNITS PRODUCED ON OR AFTER JULY 30, 2012) cont.**

**Table 12 - UNIT WIRE/FUSE OR HACR BREAKER SIZING DATA (cont.)**

UNIT	IFM TYPE	ELEC. HTR				NO C.O. or UNPWR C.O.														
		CRHEATER***A00	Nom (kW)	FLA	NO PE.			w/ PE. (pwrld fr/unit)			NO PE.			w/ PWRD C.O.						
					MCA	MAX FUSE or HACR BRKR	DISC. SIZE FLA LRA	MCA	MAX FUSE or HACR BRKR	DISC. SIZE FLA LRA	MCA	MAX FUSE or HACR BRKR	DISC. SIZE FLA LRA	MCA	MAX FUSE or HACR BRKR	DISC. SIZE FLA LRA				
50TC**05	STD	NONE	-	-	34	50	32	133	36	50	35	135	39	60	38	138	41	60	40	140
		101A	3.3/4.4	15.9/18.3	34/34	50/50	32/32	133/133	36/36	50/50	35/35	135/135	39/39	60/60	38/38	138/138	41/41	60/60	40/40	140/140
		103B	6.5/8.7	31.4/36.3	46/52	50/60	42/47	133/133	48/54	50/60	44/50	135/135	52/58	60/60	47/53	138/138	54/60	60/60	49/55	140/140
		102A+102A	9.8/13.0	46.9/54.2	65/74	70/80	60/68	133/133	68/77	70/80	62/70	135/135	71/80	80/80	65/73	138/138	74/83	80/90	67/76	140/140
		103B+103B	13.1/17.4	62.8/72.5	85/97	90/100	78/89	133/133	87/100	90/100	80/91	135/135	91/103	100/110	83/95	138/138	93/106	100/110	86/97	140/140
		104B+104B	15.8/21.0	75.8/87.5	101/116	110/125	93/106	133/133	104/118	110/125	95/108	135/135	107/122	110/125	98/112	138/138	110/124	110/125	101/114	140/140
		NONE	-	-	34	50	32	133	36	50	35	135	39	60	38	138	41	60	40	140
		101A	3.3/4.4	15.9/18.3	34/34	50/50	32/32	133/133	36/36	50/50	35/35	135/135	39/39	60/60	38/38	138/138	41/41	60/60	40/40	140/140
		103B	6.5/8.7	31.4/36.3	46/52	50/60	42/47	133/133	48/54	50/60	44/50	135/135	52/58	60/60	47/53	138/138	54/60	60/60	49/55	140/140
		102A+102A	9.8/13.0	46.9/54.2	65/74	70/80	60/68	133/133	68/77	70/80	62/70	135/135	71/80	80/80	65/73	138/138	74/83	80/90	67/76	140/140
103B+103B	13.1/17.4	62.8/72.5	85/97	90/100	78/89	133/133	87/100	90/100	80/91	135/135	91/103	100/110	83/95	138/138	93/106	100/110	86/97	140/140		
104B+104B	15.8/21.0	75.8/87.5	101/116	110/125	93/106	133/133	104/118	110/125	95/108	135/135	107/122	110/125	98/112	138/138	110/124	110/125	101/114	140/140		
208/230-1-60	STD	NONE	-	-	24	30	23	106	26	30	26	108	29	40	29	111	31	40	31	113
		102A	4.9/6.5	13.6/15.6	24/26	30/30	23/24	106/106	26/29	30/30	26/26	108/108	30/32	40/40	29/29	111/111	32/35	40/40	31/32	113/113
		103B	6.5/8.7	18.1/20.9	30/33	30/35	27/30	106/106	32/35	35/40	29/32	108/108	36/39	40/40	32/36	111/111	38/41	40/45	35/38	113/113
		105A	12.0/16.0	33.4/38.5	49/55	50/60	44/50	106/106	51/57	60/60	47/52	108/108	55/61	60/70	50/56	111/111	57/63	60/70	52/58	113/113
		104B+104B	15.8/21.0	43.8/50.5	62/70	70/70	56/64	106/106	64/72	70/80	59/66	108/108	68/76	70/80	62/70	111/111	70/78	70/80	64/72	113/113
		NONE	-	-	24	30	23	106	26	30	26	108	29	40	29	111	31	40	31	113
		102A	4.9/6.5	13.6/15.6	24/26	30/30	23/24	106/106	26/29	30/30	26/26	108/108	30/32	40/40	29/29	111/111	32/35	40/40	31/32	113/113
		103B	6.5/8.7	18.1/20.9	30/33	30/35	27/30	106/106	32/35	35/40	29/32	108/108	36/39	40/40	32/36	111/111	38/41	40/45	35/38	113/113
		105A	12.0/16.0	33.4/38.5	49/55	50/60	44/50	106/106	51/57	60/60	47/52	108/108	55/61	60/70	50/56	111/111	57/63	60/70	52/58	113/113
		104B+104B	15.8/21.0	43.8/50.5	62/70	70/70	56/64	106/106	64/72	70/80	59/66	108/108	68/76	70/80	62/70	111/111	70/78	70/80	64/72	113/113
208/230-3-60	MED	NONE	-	-	24	30	23	106	26	30	26	108	29	40	29	111	31	40	31	113
		102A	4.9/6.5	13.6/15.6	24/26	30/30	23/24	106/106	26/29	30/30	26/26	108/108	30/32	40/40	29/29	111/111	32/35	40/40	31/32	113/113
		103B	6.5/8.7	18.1/20.9	30/33	30/35	27/30	106/106	32/35	35/40	29/32	108/108	36/39	40/40	32/36	111/111	38/41	40/45	35/38	113/113
		105A	12.0/16.0	33.4/38.5	49/55	50/60	44/50	106/106	51/57	60/60	47/52	108/108	55/61	60/70	50/56	111/111	57/63	60/70	52/58	113/113
		104B+104B	15.8/21.0	43.8/50.5	62/70	70/70	56/64	106/106	64/72	70/80	59/66	108/108	68/76	70/80	62/70	111/111	70/78	70/80	64/72	113/113
		NONE	-	-	24	30	23	106	26	30	26	108	29	40	29	111	31	40	31	113
		102A	4.9/6.5	13.6/15.6	24/26	30/30	23/24	106/106	26/29	30/30	26/26	108/108	30/32	40/40	29/29	111/111	32/35	40/40	31/32	113/113
		103B	6.5/8.7	18.1/20.9	30/33	30/35	27/30	106/106	32/35	35/40	29/32	108/108	36/39	40/40	32/36	111/111	38/41	40/45	35/38	113/113
		105A	12.0/16.0	33.4/38.5	49/55	50/60	44/50	106/106	51/57	60/60	47/52	108/108	55/61	60/70	50/56	111/111	57/63	60/70	52/58	113/113
		104B+104B	15.8/21.0	43.8/50.5	62/70	70/70	56/64	106/106	64/72	70/80	59/66	108/108	68/76	70/80	62/70	111/111	70/78	70/80	64/72	113/113
50TC**05	HIGH	NONE	-	-	26/26	30/30	25/25	144	28/28	40/40	28/27	146	31/31	40/40	31/31	149	33/32	45/45	33/33	151
		102A	4.9/6.5	13.6/15.6	26/28	30/30	25/26	144/144	28/31	40/40	28/28	146/146	32/34	40/40	31/31	149/149	34/37	45/45	33/33	151/151
		103B	6.5/8.7	18.1/20.9	32/35	35/35	29/32	144/144	34/37	40/40	31/34	146/146	38/41	40/45	34/37	149/149	40/43	45/45	36/39	151/151
		105A	12.0/16.0	33.4/38.5	51/57	60/60	46/52	144/144	53/59	60/60	49/54	146/146	57/63	60/70	52/58	149/149	59/65	60/70	54/60	151/151
		104B+104B	15.8/21.0	43.8/50.5	64/72	70/80	58/66	144/144	66/74	70/80	60/68	146/146	70/78	70/80	64/71	149/149	72/80	80/80	66/73	151/151
		NONE	-	-	26/26	30/30	25/25	144	28/28	40/40	28/27	146	31/31	40/40	31/31	149	33/32	45/45	33/33	151
		102A	4.9/6.5	13.6/15.6	26/28	30/30	25/26	144/144	28/31	40/40	28/28	146/146	32/34	40/40	31/31	149/149	34/37	45/45	33/33	151/151
		103B	6.5/8.7	18.1/20.9	32/35	35/35	29/32	144/144	34/37	40/40	31/34	146/146	38/41	40/45	34/37	149/149	40/43	45/45	36/39	151/151
		105A	12.0/16.0	33.4/38.5	51/57	60/60	46/52	144/144	53/59	60/60	49/54	146/146	57/63	60/70	52/58	149/149	59/65	60/70	54/60	151/151
		104B+104B	15.8/21.0	43.8/50.5	64/72	70/80	58/66	144/144	66/74	70/80	60/68	146/146	70/78	70/80	64/71	149/149	72/80	80/80	66/73	151/151

**ELECTRICAL INFORMATION  
(UNITS PRODUCED ON OR AFTER JULY 30, 2012) cont.**

**Table 12 - UNIT WIRE/FUSE OR HACR BREAKER SIZING DATA (cont.)**

UNIT	NO M-V-PH-HZ	ELEC. HTR			NO C.O. or UNPWR C.O.																
		IFM TYPE	CRHEATER**A00	Nom (kW)	FLA	NO PE.				w/ PE. (pwrd fr/unit)				NO PE.				w/ PWRD C.O.			
						MCA	MAX FUSE or HACR BRKR	FLA	LRA	MCA	MAX FUSE or HACR BRKR	FLA	LRA	MCA	MAX FUSE or HACR BRKR	FLA	LRA	MCA	MAX FUSE or HACR BRKR	FLA	LRA
50TC**05	460-3-60	STD	NONE	-	-	12	15	11	52	13	15	12	53	14	15	14	54	15	20	15	55
			106A	6.0	7.2	13	15	11	52	14	15	12	53	15	15	14	54	17	20	15	55
			108A	11.5	13.8	21	25	19	52	22	25	20	53	24	25	21	54	25	25	23	55
			109A	14.0	16.8	25	25	22	52	26	30	23	53	27	30	25	54	29	30	26	55
			108A+108A	23.0	27.7	38	40	35	52	40	40	36	53	41	45	37	54	42	45	39	55
		MED	NONE	-	-	12	15	11	52	13	15	12	53	14	15	14	54	15	20	15	55
			106A	6.0	7.2	13	15	11	52	14	15	12	53	15	15	14	54	17	20	15	55
			108A	11.5	13.8	21	25	19	52	22	25	20	53	24	25	21	54	25	25	23	55
			109A	14.0	16.8	25	25	22	52	26	30	23	53	27	30	25	54	29	30	26	55
			108A+108A	23.0	27.7	38	40	35	52	40	40	36	53	41	45	37	54	42	45	39	55
HIGH	NONE	-	-	12	15	12	71	13	15	13	72	15	20	14	73	16	20	16	74		
	106A	6.0	7.2	14	15	12	71	15	15	13	72	16	20	15	73	18	20	16	74		
	108A	11.5	13.8	22	25	20	71	23	25	21	72	25	25	22	73	26	30	23	74		
	109A	14.0	16.8	26	30	23	71	27	30	24	72	28	30	26	73	30	30	27	74		
	108A+108A	23.0	27.7	39	40	36	71	41	45	37	72	42	45	38	73	43	45	39	74		
575-3-60	STD	-	-	9	15	9	42	11	15	11	44	11	15	11	44	13	15	13	46		
	MED	-	-	9	15	9	42	11	15	11	44	11	15	11	44	13	15	13	46		
	HIGH	-	-	9	15	9	46	11	15	11	48	11	15	10	48	13	15	13	50		

# ELECTRICAL INFORMATION (UNITS PRODUCED ON OR AFTER JULY 30, 2012) cont.

**Table 12 - UNIT WIRE/FUSE OR HACR BREAKER SIZING DATA (cont.)**

UNIT	NO M. V-PH-HZ	ELEC. HTR				NO C.O. or UNPWR C.O.														
		CRHEATER***A00	Nom (kW)	FLA	MCA	NO PE.			w/ P.E. (pwrdr fr/unit)			NO PE.			w/ PWRD C.O.					
						MAX FUSE or HACR BRKR	FLA	LRA	MCA	MAX FUSE or HACR BRKR	FLA	LRA	MCA	MAX FUSE or HACR BRKR	FLA	LRA	MCA	MAX FUSE or HACR BRKR	FLA	LRA
50TC**06	208/230-1-60	NONE	-	-	40	60	37	150	42	60	40	152	44	60	43	155	46	60	45	157
		102A	4.9/6.5	23.5/27.1	40/40	60/60	37/37	150/150	42/43	60/60	40/40	152/152	44/46	60/60	43/43	155/155	46/49	60/60	45/45	157/157
		103B	6.5/8.7	31.4/36.3	48/52	60/60	42/47	150/150	48/54	60/60	44/50	152/152	52/58	60/60	47/53	155/155	54/60	60/60	49/55	157/157
		102A+102A	9.8/13.0	46.9/54.2	65/74	70/80	60/68	150/150	68/77	70/80	62/70	152/152	71/80	80/80	65/73	155/155	74/83	80/90	67/76	157/157
		103B+103B	13.1/17.4	62.8/72.5	85/97	90/100	78/89	150/150	87/100	90/100	80/91	152/152	91/103	100/110	89/95	155/155	93/106	100/110	86/97	157/157
		104B+104B	15.8/21.0	75.8/87.5	101/116	110/125	93/106	150/150	104/118	110/125	95/108	152/152	107/122	110/125	98/112	155/155	110/124	110/125	101/114	157/157
		NONE	-	-	42	60	40	175	44	60	42	177	47	60	45	180	48	60	48	182
		102A	4.9/6.5	23.5/27.1	42/43	60/60	40/40	175/175	44/45	60/60	42/42	177/177	47/49	60/60	45/45	180/180	48/51	60/60	48/48	182/182
		103B	6.5/8.7	31.4/36.3	48/55	60/60	44/50	175/175	51/57	60/60	46/52	177/177	54/61	60/70	50/55	180/180	57/63	60/70	52/58	182/182
		102A+102A	9.8/13.0	46.9/54.2	68/77	70/80	62/70	175/175	70/79	70/80	64/73	177/177	74/83	80/90	68/76	180/180	76/85	80/90	70/78	182/182
103B+103B	13.1/17.4	62.8/72.5	88/100	90/100	80/91	175/175	90/102	90/110	82/94	177/177	94/106	100/110	86/97	180/180	96/108	100/110	88/99	182/182		
104B+104B	15.8/21.0	75.8/87.5	104/119	110/125	95/109	175/175	106/121	110/125	97/111	177/177	110/125	110/125	101/114	180/180	112/127	125/150	103/116	182/182		
208/230-3-60	208/230-3-60	NONE	-	-	27	40	26	133	29	40	28	135	31	45	31	138	33	45	33	140
		102A	4.9/6.5	13.6/15.6	27/27	40/40	26/26	133/133	29/29	40/40	28/28	135/135	31/32	45/45	31/31	138/138	33/35	45/45	33/33	140/140
		104B	7.9/10.5	21.9/25.3	34/39	40/40	31/35	133/133	37/41	40/45	33/37	135/135	40/45	45/45	37/41	138/138	43/47	45/50	39/43	140/140
		105A	12.0/16.0	33.4/38.5	49/55	50/60	44/50	133/133	51/57	60/60	47/52	135/135	55/61	60/70	50/56	138/138	57/63	60/70	52/58	140/140
		104B+104B	15.8/21.0	43.8/50.5	62/70	70/70	56/64	133/133	64/72	70/80	59/66	135/135	68/76	70/80	62/70	138/138	70/78	70/80	64/72	140/140
		104B+105A	19.9/26.5	55.2/63.8	76/87	80/90	69/79	133/133	78/89	80/90	72/82	135/135	82/93	90/100	75/85	138/138	84/95	90/100	77/87	140/140
		NONE	-	-	28/28	40/40	28/27	171	30/30	45/45	30/30	173	33/33	45/45	33/33	176	35/35	50/50	35/35	178
		102A	4.9/6.5	13.6/15.6	28/28	40/40	28/27	171/171	30/31	45/45	30/30	173/173	33/34	45/45	33/33	176/176	35/37	50/50	35/35	178/178
		104B	7.9/10.5	21.9/25.3	36/40	40/40	33/37	171/171	39/43	45/45	35/39	173/173	42/46	45/50	39/42	176/176	45/49	50/50	41/45	178/178
		105A	12.0/16.0	33.4/38.5	51/57	60/60	46/52	171/171	53/59	60/60	49/54	173/173	57/63	60/70	52/58	176/176	59/65	60/70	54/60	178/178
104B+104B	15.8/21.0	43.8/50.5	64/72	70/80	58/66	171/171	66/74	70/80	60/68	173/173	70/78	70/80	64/71	176/176	72/80	80/80	66/73	178/178		
104B+105A	19.9/26.5	55.2/63.8	78/89	80/90	71/81	171/171	80/91	90/100	74/83	173/173	84/95	90/100	77/87	176/176	86/97	90/100	79/89	178/178		
HIGH	208/230-3-60	NONE	-	-	30/30	45/40	29/29	186	32/32	45/45	32/31	188	35/35	191	37/36	50/50	37/37	193		
		102A	4.9/6.5	13.6/15.6	30/30	45/40	29/29	186/186	32/33	45/45	32/31	188/188	35/36	45/45	191/191	37/39	50/50	37/37	193/193	
		104B	7.9/10.5	21.9/25.3	38/42	45/45	35/39	186/186	41/45	45/45	37/41	188/188	44/48	40/44	191/191	47/51	50/60	43/46	193/193	
		105A	12.0/16.0	33.4/38.5	53/59	60/60	48/54	186/186	55/61	60/70	50/56	188/188	59/65	60/70	54/59	191/191	61/67	70/70	56/62	193/193
		104B+104B	15.8/21.0	43.8/50.5	66/74	70/80	60/68	186/186	68/76	70/80	62/70	188/188	72/80	80/80	66/73	191/191	74/82	80/90	68/75	193/193
104B+105A	19.9/26.5	55.2/63.8	80/91	80/100	73/83	186/186	82/93	90/100	75/85	188/188	86/97	90/100	79/88	191/191	88/99	90/100	81/91	193/193		

**ELECTRICAL INFORMATION  
(UNITS PRODUCED ON OR AFTER JULY 30, 2012) cont.**

**Table 12 - UNIT WIRE/FUSE OR HACR BREAKER SIZING DATA (cont.)**

UNIT	NO M, V-PH-HZ	IFM TYPE	ELEC. HTR			NO C.O. or UNPWR C.O.															
			CRHEATER**A00	Nom (kW)	FLA	NO PE.			w/ P.E. (pwrld fr/unit)			NO PE.			w/ PWRD C.O.						
						MCA	MAX FUSE or HACR BRKR	DISC. SIZE FLA LRA	MCA	MAX FUSE or HACR BRKR	DISC. SIZE FLA LRA	MCA	MAX FUSE or HACR BRKR	DISC. SIZE FLA LRA	MCA	MAX FUSE or HACR BRKR	DISC. SIZE FLA LRA				
50TC**06	460-3-60	STD	NONE	-	-	13	20	13	63	14	20	14	64	16	20	15	65	17	20	16	66
			106A	6.0	7.2	13	20	13	63	14	20	14	64	16	20	15	65	17	20	16	66
			108A	11.5	13.8	21	25	19	63	22	25	20	64	24	25	21	65	25	25	23	66
			109A	14.0	16.8	25	25	22	63	26	30	23	64	27	30	25	65	29	30	26	66
			108A+108A	23.0	27.7	38	40	35	63	40	40	36	64	41	45	37	65	42	45	39	66
			108A+109A	25.5	30.7	42	45	38	63	43	45	39	64	45	50	41	65	46	50	42	66
			NONE	-	-	14	20	14	82	15	20	15	83	16	20	16	84	17	20	17	85
			106A	6.0	7.2	14	20	14	82	15	20	15	83	16	20	16	84	18	20	17	85
			108A	11.5	13.8	22	25	20	82	23	25	21	83	25	25	22	84	26	30	23	85
			109A	14.0	16.8	26	30	23	82	27	30	24	83	28	30	26	84	30	30	27	85
108A+108A	23.0	27.7	39	40	36	82	41	45	37	83	42	45	38	84	43	45	39	85			
108A+109A	25.5	30.7	43	45	39	82	44	45	40	83	46	50	42	84	47	50	43	85			
575-3-60	460-3-60	HIGH	NONE	-	-	15	20	15	90	16	20	16	91	17	20	17	92	18	25	18	93
			106A	6.0	7.2	15	20	15	90	16	20	16	91	17	20	17	92	19	25	18	93
			108A	11.5	13.8	23	25	21	90	24	25	22	91	26	30	23	92	27	30	24	93
			109A	14.0	16.8	27	30	24	90	28	30	25	91	29	30	27	92	31	35	28	93
			108A+108A	23.0	27.7	40	40	37	90	42	45	38	91	43	45	39	92	44	45	40	93
			108A+109A	25.5	30.7	44	45	40	90	45	45	41	91	47	50	43	92	48	50	44	93
			NONE	-	-	11	15	10	48	13	15	12	50	12	15	12	50	14	20	14	52
			106A	6.0	7.2	11	15	10	48	13	15	12	50	12	15	12	50	14	20	14	52
			108A	11.5	13.8	10	15	10	52	12	15	12	54	12	15	12	54	14	15	14	56
			109A	14.0	16.8	11	15	11	63	13	15	13	65	13	15	13	65	15	20	15	67

## ELECTRICAL INFORMATION (UNITS PRODUCED ON OR AFTER JULY 30, 2012) cont.

Table 12 - UNIT WIRE/FUSE OR HACR BREAKER SIZING DATA (cont.)

UNIT	NO M. V.-Ph-HZ	ELEC. HTR				NO C.O. or UNPWR C.O.											w/ PWRD C.O.									
		ORHEATER**A00	Nom (kW)	FLA	MCA	NO PE.			w/ P.E. (pwrd fr/unit)				NO PE.				w/ P.E. (pwrd fr/unit)									
						MAX FUSE or BRKR	DISC. SIZE	DISC. SIZE	MCA	MAX FUSE or BRKR	DISC. SIZE	DISC. SIZE	MCA	MAX FUSE or BRKR	DISC. SIZE	DISC. SIZE	MCA	MAX FUSE or BRKR	DISC. SIZE	DISC. SIZE	MCA					
IFM TYPE					FLA	FLA	FLA	LRA	LRA	LRA	FLA	FLA	FLA	LRA	LRA	FLA	FLA	LRA	FLA	FLA	LRA	FLA	FLA	LRA		
50TC**07		STD	NONE	-	-	33/32	50/50	32/31	184	35/34	50/50	34/33	34/33	186	37/37	189	39/39	39/39	50/50	39/39	50/50	39/39	39/39	39/39	191	
			102A	4.9/6.5	13.6/15.6	33/32	50/50	32/31	184/184	35/34	50/50	34/33	34/33	186/186	37/37	189/189	39/39	39/39	50/50	39/39	50/50	39/39	50/50	39/39	39/39	191/191
		MED	104B	7.9/10.5	21.9/25.3	36/40	50/50	33/37	184/184	39/43	50/50	35/39	35/39	186/186	42/46	39/42	189/189	45/49	45/49	50/50	50/50	50/50	50/50	50/50	50/50	191/191
			105A	12.0/16.0	33.4/38.5	51/57	60/60	46/52	184/184	53/59	60/60	49/54	49/54	186/186	57/63	52/58	189/189	59/65	59/65	60/70	60/70	60/70	60/70	60/70	60/70	191/191
			104B+104B	15.8/21.0	43.8/50.5	64/72	70/80	58/66	184/184	66/74	70/80	60/68	60/68	186/186	70/78	64/71	189/189	72/80	72/80	80/80	80/80	80/80	80/80	80/80	80/80	191/191
		104B+105A	19.9/26.5	55.2/63.8	78/89	80/90	71/81	184/184	80/91	80/91	90/100	74/83	74/83	186/186	84/95	77/87	189/189	86/97	86/97	90/100	90/100	90/100	90/100	90/100	90/100	191/191
		HIGH	NONE	-	-	34/34	50/50	33/33	199	36/36	50/50	35/35	35/35	201	39/39	204	39/39	204	41/41	41/41	50/50	50/50	50/50	41/41	41/41	206
			102A	4.9/6.5	13.6/15.6	34/34	50/50	33/33	199/199	36/36	50/50	35/35	35/35	201/201	39/39	204/204	39/39	204/204	41/41	41/41	50/50	50/50	50/50	41/41	41/41	206/206
			104B	7.9/10.5	21.9/25.3	38/42	50/50	35/39	199/199	41/45	50/50	37/41	37/41	201/201	44/48	40/44	204/204	47/51	47/51	50/60	50/60	50/60	47/51	47/51	206/206	
			105A	12.0/16.0	33.4/38.5	53/59	60/60	48/54	199/199	55/61	60/70	50/56	50/56	201/201	59/65	54/59	204/204	61/67	61/67	70/70	70/70	70/70	61/67	61/67	206/206	
104B+104B	15.8/21.0		43.8/50.5	66/74	70/80	60/68	199/199	68/76	70/80	62/70	62/70	201/201	72/80	66/73	204/204	74/82	74/82	80/80	80/80	80/80	74/82	74/82	206/206			
104B+105A	19.9/26.5	55.2/63.8	80/91	80/100	73/83	199/199	82/93	90/100	75/85	75/85	201/201	86/97	79/88	204/204	88/99	88/99	90/100	90/100	90/100	88/99	88/99	206/206				
460-3-60		STD	NONE	-	-	17	25	16	92	18	25	17	93	19	94	19	20	20	25	25	25	20	20	95		
			106A	6.0	7.2	17	25	16	92	18	25	17	93	19	94	19	20	20	25	25	25	20	20	95		
		MED	108A	11.5	13.8	22	25	20	92	23	25	21	93	25	94	22	94	26	26	30	30	30	26	26	95	
			109A	14.0	16.8	26	30	23	92	27	30	24	93	28	94	26	94	30	30	30	30	30	27	27	95	
			108A+108A	23.0	27.7	39	40	36	92	41	45	37	93	42	94	38	94	43	43	45	45	45	39	39	95	
		108A+109A	25.5	30.7	43	45	39	92	44	45	40	93	46	46	42	94	47	47	50	50	50	43	43	95		
		HIGH	NONE	-	-	18	25	17	100	19	25	18	101	20	101	19	102	21	21	25	25	25	21	21	103	
			106A	6.0	7.2	18	25	17	100	19	25	18	101	20	101	19	102	21	21	25	25	25	21	21	103	
			108A	11.5	13.8	23	25	21	100	24	25	22	101	26	101	23	102	27	27	30	30	30	24	24	103	
109A	14.0		16.8	27	30	24	100	28	30	25	101	29	101	27	102	31	31	35	35	35	28	28	103			
108A+108A	23.0	27.7	40	40	37	100	42	45	38	101	43	101	39	102	44	44	45	45	45	40	40	103				
108A+109A	25.5	30.7	44	45	41	100	45	45	41	101	47	101	44	102	48	48	50	50	50	44	44	103				
575-3-60		STD	-	-	12	15	12	63	14	20	14	65	14	13	65	16	16	20	20	20	16	16	67			
		MED	-	-	13	20	12	74	15	20	15	76	15	14	76	17	17	20	20	20	17	17	78			
		HIGH	-	-	13	20	12	74	15	20	15	76	15	14	76	17	17	20	20	20	17	17	78			

# ELECTRICAL INFORMATION (UNITS PRODUCED ON OR AFTER JULY 30, 2012) cont.

Table 12 - UNIT WIRE/FUSE OR HACR BREAKER SIZING DATA (cont.)

UNIT	NO M. V. Ph-HZ	ELEC. HTR				NO C.O. or UNPWR C.O.												w/ PWR C.O.												
		IFM TYPE	CRHEATER***A00	Nom (kW)	FLA	NO RE.				w/ P.E. (pwrd fr/unit)				NO PE.				w/ P.E. (pwrd fr/unit)												
						MCA	MAX FUSE or HACR BRKR	FLA	DISC. SIZE	LRA	MCA	MAX FUSE or HACR BRKR	FLA	DISC. SIZE	LRA	MCA	MAX FUSE or HACR BRKR	FLA	DISC. SIZE	LRA	MCA	MAX FUSE or HACR BRKR	FLA	DISC. SIZE	LRA					
50TCA08	208/230-3-60	STD	NONE	-	-	40/40	60/60	38/38	208	44/43	60/60	43/42	212	45/44	60/60	44/43	213	49/48	60/60	48/48	217	49/48	60/60	44/43	213	49/48	60/60	48/48	217/217	
			117A	7.8/10.4	21.7/25.0	40/40	60/60	38/38	208/208	44/43	60/60	43/42	212/212	45/44	60/60	44/43	213/213	49/49	60/60	48/48	217/217	49/49	60/60	44/43	213/213	49/49	60/60	48/48	217/217	
			110A	12.0/16.0	33.4/38.5	49/55	60/60	44/50	208/208	53/59	60/70	49/54	212/212	55/61	60/70	50/55	213/213	59/65	60/70	54/60	217/217	59/65	60/70	50/55	213/213	59/65	60/70	54/60	217/217	
			111A	18.6/24.8	51.7/59.7	72/81	80/90	65/74	208/208	76/86	80/90	70/79	212/212	78/87	80/90	71/80	213/213	82/92	80/90	75/84	217/217	82/92	90/100	75/84	213/213	82/92	90/100	75/84	217/217	
			112A	24.0/32.0	66.7/77.0	90/103	100/110	83/94	208/208	95/108	100/110	87/99	212/212	96/109	100/110	89/100	213/213	101/114	100/110	93/104	217/217	101/114	110/125	93/104	213/213	101/114	110/125	93/104	217/217	
			112A+117A	31.8/42.4	88.4/102.0	117/134	125/150	108/123	208/208	122/139	125/150	112/127	212/212	123/140	125/150	113/128	213/213	128/145	125/150	118/133	217/217	123/140	150/150	118/133	213/213	128/145	150/150	118/133	217/217	
	460-3-60	MED	NONE	-	-	43/43	60/60	42/42	244	47/47	60/60	46/46	248	48/48	60/60	47/47	249	52/52	60/60	52/52	253	52/52	60/60	47/47	249	52/52	60/60	52/52	253	
			117A	7.8/10.4	21.7/25.0	43/43	60/60	42/42	244/244	47/47	60/60	46/46	248/248	48/48	60/60	47/47	249/249	52/53	60/60	52/52	253/253	52/52	60/60	47/47	249/249	52/53	60/60	52/52	253/253	
			110A	12.0/16.0	33.4/38.5	53/59	60/60	48/54	244/244	57/64	60/70	52/58	248/248	59/65	60/70	54/59	249/249	63/70	60/70	58/64	253/253	63/70	60/70	54/59	249/249	63/70	60/70	58/64	253/253	
			111A	18.6/24.8	51.7/59.7	76/85	80/90	69/78	244/244	80/90	80/90	73/83	248/248	82/91	90/100	75/84	249/249	86/96	90/100	79/88	253/253	86/96	90/100	79/88	249/249	86/96	90/100	79/88	253/253	
			112A	24.0/32.0	66.7/77.0	94/107	100/110	86/98	244/244	99/112	100/125	91/102	248/248	100/113	100/125	92/104	249/249	105/118	100/125	96/108	253/253	100/113	100/125	96/108	249/249	105/118	100/125	96/108	253/253	
			112A+117A	31.8/42.4	88.4/102.0	121/138	125/150	111/127	244/244	126/143	150/150	116/131	248/248	127/144	150/150	117/132	249/249	132/149	150/150	121/137	253/253	127/144	150/150	121/137	249/249	132/149	150/150	121/137	253/253	
575-3-60	STD	NONE	-	-	20	30	19	122	22	30	21	124	22	30	21	124	22	30	21	124	22	30	21	124	22	30	21	124	22	
		116A	13.9	16.7	24	30	22	122	27	30	24	124	27	30	24	124	27	30	24	124	27	30	24	124	27	30	24	124	27	
		113A	16.5	19.8	28	30	26	122	31	35	28	124	31	35	28	124	31	35	28	124	31	35	28	124	31	35	28	124	31	
		114A	27.8	33.4	45	45	41	122	48	50	43	124	48	50	43	124	48	50	43	124	48	50	43	124	48	50	43	124	48	
		115A	33.0	39.7	53	60	49	122	55	60	51	124	56	60	51	124	56	60	51	124	56	60	51	124	56	60	51	124	56	
		114A+116A	41.7	50.2	66	70	61	122	69	70	63	124	69	70	63	124	69	70	63	124	69	70	63	124	69	70	63	124	69	
	460-3-60	MED	NONE	-	-	22	30	23	140	23	30	23	142	24	30	23	142	24	30	23	142	24	30	23	142	24	30	23	142	24
			116A	13.9	16.7	27	30	24	140	29	30	26	142	29	30	26	142	29	30	26	142	29	30	26	142	29	30	26	142	29
			113A	16.5	19.8	30	30	28	140	33	35	30	142	33	35	30	142	33	35	30	142	33	35	30	142	33	35	30	142	33
			114A	27.8	33.4	47	50	43	140	50	50	45	142	50	50	45	142	50	50	45	142	50	50	45	142	50	50	45	142	50
			115A	33.0	39.7	55	60	50	140	58	60	53	142	58	60	53	142	58	60	53	142	58	60	53	142	58	60	53	142	58
			114A+116A	41.7	50.2	68	70	63	140	71	80	65	142	71	80	65	142	71	80	65	142	71	80	65	142	71	80	65	142	71
575-3-60	STD	NONE	-	-	15	20	14	89	18	25	18	93	16	20	16	91	20	25	20	16	91	20	25	20	16	91	20	25	20	
		116A	13.9	16.7	29	30	27	148	32	30	29	150	32	30	29	150	32	30	29	150	32	30	29	150	32	30	29	150	32	
		113A	16.5	19.8	33	35	30	148	35	35	32	150	36	40	33	150	38	40	35	152	36	40	33	150	38	40	35	152	36	
		114A	27.8	33.4	50	50	46	148	52	60	48	150	53	60	48	150	55	60	50	152	53	60	48	150	55	60	50	152	53	
		115A	33.0	39.7	58	60	53	148	60	60	55	150	60	70	56	150	63	70	58	152	60	70	56	150	63	70	58	152	60	
		114A+116A	41.7	50.2	71	80	65	148	73	80	67	150	74	80	68	150	76	80	70	152	74	80	68	150	76	80	70	152	74	
575-3-60	MED	NONE	-	-	28	30	25	89	33	35	30	93	30	30	27	91	35	35	32	30	27	91	35	35	32	30	27	91	35	
		118A	17.0	20.4	54	60	49	89	58	60	53	93	56	60	51	91	60	70	55	60	51	91	60	70	55	60	51	91	60	
		119A	34.0	40.9	54	60	49	89	58	60	53	93	56	60	51	91	60	70	55	60	51	91	60	70	55	60	51	91	60	
		NONE	-	-	19	20	15	104	20	25	19	108	17	25	17	106	21	25	21	110	17	25	17	106	21	25	21	110		
		118A	17.0	20.4	29	30	27	104	34	35	31	108	32	35	31	108	36	40	33	110	32	35	31	108	36	40	33	110		
		119A	34.0	40.9	55	60	50	104	60	60	55	108	57	60	52	106	62	70	57	110	57	60	52	106	62	70	57	110		
575-3-60	HIGH	NONE	-	-	19	25	18	118	22	30	23	122	20	25	20	120	24	30	24	124	24	30	24	124	24	30	24	124	24	
		118A	17.0	20.4	33	35	30	118	38	40	34	122	35	40	32	120	40	40	36	124	35	40	32	120	40	40	36	124		
		119A	34.0	40.9	59	60	53	118	63	70	58	122	61	70	55	120	65	70	57	124	61	70	55	120	65	70	57	124		

**ELECTRICAL INFORMATION  
(UNITS PRODUCED ON OR AFTER JULY 30, 2012) cont.**

**Table 12 - UNIT WIRE/FUSE OR HACR BREAKER SIZING DATA (cont.)**

UNIT	NO M. V.-Pb-HZ	ELEC. HTR				NO C.O. or UNPWR C.O.										NO P.E.										w/ PWRD C.O.			
		IFM TYPE	CRHEATER***A00	Nom (kW)	FLA	NO PE.			w/ P.E. (pwrd fr/unit)			NO PE.			w/ P.E. (pwrd fr/unit)			MCA		DISC. SIZE		w/ PE. (pwrd fr/unit)							
						MCA	MAX FUSE or BRKR	FLA	DISC. SIZE	MCA	MAX FUSE or BRKR	FLA	DISC. SIZE	MCA	MAX FUSE or BRKR	FLA	DISC. SIZE	MCA	MAX FUSE or BRKR	FLA	DISC. SIZE	MCA	MAX FUSE or BRKR	FLA	DISC. SIZE	LRA			
50TC-D08	208/230-3-60	STD	NONE	-	-	39/39	50/50	41/40	210	43/43	50/50	45/45	214	44/44	50/50	46/46	215	48/48	60/60	51/50	48/48	60/60	51/50	219					
			117A	7.8/10.4	21.7/25.0	39/39	50/50	41/40	210/210	43/43	50/50	45/45	214/214	44/44	50/50	46/46	215/215	48/48	60/60	51/50	48/49	60/60	51/50	219/219					
			110A	12.0/16.0	33.4/38.5	49/55	50/60	44/50	210/210	53/59	60/60	49/54	214/214	55/61	60/70	50/55	215/215	59/65	70/70	60/70	54/60	60/70	54/60	219/219					
			111A	18.6/24.8	51.7/59.7	72/81	80/90	65/74	210/210	76/86	80/90	70/79	214/214	78/87	80/90	71/80	215/215	82/92	80/90	75/84	90/100	75/84	90/100	75/84	219/219				
			112A	24.0/32.0	66.7/77.0	90/103	90/110	83/94	210/210	95/108	100/110	87/99	214/214	96/109	100/110	89/100	215/215	101/114	100/110	93/104	110/125	93/104	110/125	93/104	219/219				
			112A+117A	31.8/42.4	88.4/102.0	117/134	125/150	108/123	210/210	122/139	125/150	112/127	214/214	123/140	125/150	113/128	215/215	128/145	118/133	150/150	118/133	150/150	118/133	150/150	219/219				
	460-3-60	MED	NONE	-	-	42/42	50/50	44/44	246	46/46	50/50	49/49	250	47/47	60/60	50/50	251	51/51	60/60	54/54	54/54	60/60	54/54	255					
			117A	7.8/10.4	21.7/25.0	42/42	50/50	44/44	246/246	46/47	50/50	49/49	250/250	47/48	60/60	50/50	251/251	51/53	60/60	54/54	54/54	60/60	54/54	255/255					
			110A	12.0/16.0	33.4/38.5	53/59	60/60	48/54	246/246	57/64	60/70	52/58	250/250	59/65	60/70	54/59	251/251	63/70	70/70	58/64	70/70	58/64	70/70	255/255					
			111A	18.6/24.8	51.7/59.7	76/85	80/90	69/78	246/246	80/90	80/90	73/83	250/250	82/91	90/100	75/84	251/251	86/96	90/100	79/88	90/100	79/88	90/100	255/255					
			112A	24.0/32.0	66.7/77.0	94/107	100/110	86/98	246/246	99/112	100/125	91/102	250/250	100/113	100/125	92/104	251/251	105/118	110/125	96/108	110/125	96/108	110/125	255/255					
			112A+117A	31.8/42.4	88.4/102.0	121/138	125/150	111/127	246/246	126/143	150/150	116/131	250/250	127/144	150/150	117/132	251/251	132/149	150/150	121/137	132/149	150/150	121/137	255/255					
575-3-60	STD	NONE	-	-	18	20	19	104	20	25	21	106	20	25	21	106	22	25	23	22	25	23	108						
		116A	13.9	16.7	24	25	22	104	27	30	24	106	27	30	25	106	29	30	25	29	30	27	108						
		113A	16.5	19.8	28	30	26	104	31	35	28	106	31	35	28	106	33	35	28	30	30	27	108						
		114A	27.8	33.4	45	45	41	104	48	50	43	106	48	50	44	106	50	50	44	46	50	46	108						
		115A	33.0	39.7	53	60	49	104	55	60	51	106	56	60	51	106	58	60	51	51	60	53	108						
		114A+116A	41.7	50.2	66	70	61	104	69	70	61	106	69	70	63	106	71	80	63	63	70	65	108						
	575-3-60	HIGH	NONE	-	-	20	25	21	122	22	25	23	124	22	25	23	124	22	25	23	24	25	23	126					
			116A	13.9	16.7	27	30	24	122	29	30	26	124	29	30	26	124	29	30	26	29	30	27	126					
			113A	16.5	19.8	30	30	28	122	33	35	30	124	33	35	30	124	33	35	30	30	30	29	126					
			114A	27.8	33.4	47	50	43	122	50	50	45	124	50	50	46	124	52	50	46	48	48	48	126					
			115A	33.0	39.7	55	60	50	122	58	60	53	124	58	60	53	124	60	60	53	53	60	55	126					
			114A+116A	41.7	50.2	68	70	63	122	71	80	65	124	71	80	65	124	73	80	65	65	70	67	126					



## ELECTRICAL INFORMATION (UNITS PRODUCED ON OR AFTER JULY 30, 2012) cont.

**Table 12 - UNIT WIRE/FUSE OR HACR BREAKER SIZING DATA (cont.)**

UNIT	NO. M. V.-P.H.-HZ	ELEC. HTR				NO. C.O. or UNPWR C.O.																	
		CRHEATER***A00	Nom (KW)	FLA	MCA	NO RE.			w/ P.E. (pwrd fr/unit)			NO PE.			w/ PWRD C.O.								
						MAX FUSE or BRKR	FLA	DISC. SIZE	MCA	MAX FUSE or BRKR	FLA	DISC. SIZE	MCA	MAX FUSE or BRKR	FLA	DISC. SIZE	MCA	MAX FUSE or BRKR	FLA	DISC. SIZE	MCA		
50TC*A09			NONE	-	-	46/45	60/60	43/43	239	239	243	49/49	60/60	48/47	50/50	60/60	49/49	244	54/54	80/80	53/53	248	
			117A	7.8/10.4	21.7/25.0	46/45	60/60	43/43	239/239	48/47	243/243	49/49	60/60	48/47	50/50	60/60	49/49	244/244	54/54	80/80	53/53	248/248	
			110A	12.0/16.0	33.4/38.5	49/55	60/60	44/50	239/239	49/54	243/243	53/59	60/60	49/54	50/55	60/70	50/55	244/244	59/65	80/80	54/60	54/60	248/248
			111A	18.6/24.8	51.7/59.7	72/81	80/90	65/74	239/239	70/79	243/243	76/86	80/90	70/79	78/87	80/90	71/80	244/244	82/92	90/100	75/84	75/84	248/248
			112A	24.0/32.0	66.7/77.0	90/103	90/110	83/94	239/239	87/99	243/243	95/108	100/110	87/99	96/109	100/110	88/100	244/244	101/114	110/125	93/104	93/104	248/248
			112A+117A	31.8/42.4	88.4/102.0	117/134	125/150	108/123	239/239	112/127	243/243	122/139	125/150	112/127	123/140	125/150	113/128	244/244	128/145	150/150	118/133	118/133	248/248
			NONE	-	-	47/47	60/60	45/45	260	50/49	264	51/51	60/60	50/49	52/52	60/60	51/51	265	56/56	80/80	55/55	55/55	269
			117A	7.8/10.4	21.7/25.0	47/47	60/60	45/45	260/260	50/49	264/264	51/51	60/60	50/49	52/52	60/60	51/51	265/265	56/56	80/80	55/55	55/55	269/269
			110A	12.0/16.0	33.4/38.5	51/57	80/90	46/52	260/260	51/56	264/264	57/63	60/80	52/58	62/68	60/80	52/58	265/265	62/68	80/80	56/62	56/62	269/269
			111A	18.6/24.8	51.7/59.7	74/83	80/90	67/76	260/260	78/88	264/264	80/89	80/90	73/82	84/94	80/90	73/82	265/265	84/94	90/100	77/86	77/86	269/269
			112A	24.0/32.0	66.7/77.0	92/105	100/110	85/96	260/260	97/110	264/264	98/111	100/125	89/101	98/111	100/125	90/102	265/265	103/116	110/125	95/106	95/106	269/269
			112A+117A	31.8/42.4	88.4/102.0	120/136	125/150	110/125	260/260	124/141	264/264	126/142	150/150	114/129	126/142	150/150	115/131	265/265	130/147	150/150	119/135	119/135	269/269
460-3-60			NONE	-	-	23	30	22	117	25	30	25	30	24	25	27	28	27	27	26	26	26	
			116A	13.9	16.7	24	30	22	117	25	30	25	30	25	30	24	25	27	28	27	26	26	
			113A	16.5	19.8	28	30	26	117	31	129	28	30	25	30	24	25	27	28	27	26	26	
			114A	27.8	33.4	45	45	41	117	48	119	48	50	43	119	50	44	119	50	46	46	46	
			115A	33.0	39.7	53	60	49	117	55	119	56	60	51	119	56	60	51	119	58	53	53	
			114A+116A	41.7	50.2	66	70	61	117	69	119	69	70	63	119	69	70	63	119	71	65	65	
			NONE	-	-	24	30	23	127	26	129	26	30	25	30	24	25	27	28	27	26	26	
			116A	13.9	16.7	26	30	23	127	28	129	28	30	25	30	24	25	27	28	27	26	26	
			113A	16.5	19.8	29	30	27	127	32	129	32	35	29	129	32	40	29	129	34	31	31	
			114A	27.8	33.4	46	50	42	127	49	129	49	50	44	129	49	50	45	129	51	47	47	
			115A	33.0	39.7	54	60	50	127	57	129	57	60	52	129	57	60	52	129	59	54	54	
			114A+116A	41.7	50.2	67	70	62	127	70	129	70	70	64	129	70	70	64	129	72	66	66	
575-3-60			NONE	-	-	19	30	17	91	22	30	22	30	22	30	22	24	24	24	24	24		
			116A	13.9	16.7	28	30	25	142	30	144	30	27	144	31	40	28	144	33	30	30		
			113A	16.5	19.8	32	35	29	142	34	144	34	40	31	144	35	40	144	37	33	33		
			114A	27.8	33.4	49	50	45	142	51	144	52	60	47	144	52	60	44	144	54	47	47	
			115A	33.0	39.7	57	60	52	142	59	144	59	60	54	144	59	60	54	144	62	56	56	
			114A+116A	41.7	50.2	70	70	64	142	72	144	73	80	66	144	73	80	66	144	75	68	68	
			NONE	-	-	19	30	17	91	22	95	20	30	22	30	22	30	22	24	24	24	24	
			118A	17.0	20.4	28	30	25	91	33	95	30	35	30	95	30	30	27	93	35	35	32	
			119A	34.0	40.9	54	60	49	91	58	95	56	60	53	95	56	60	51	93	60	55	55	
			NONE	-	-	19	30	18	95	23	99	21	30	22	99	21	30	20	97	24	24	24	
			118A	17.0	20.4	28	30	26	95	33	99	33	35	30	99	33	35	28	97	35	35	32	
			119A	34.0	40.9	54	60	49	95	59	99	56	60	54	99	56	60	51	97	61	56	56	
HIGH			NONE	-	-	20	30	19	106	24	30	23	110	21	30	21	108	25	30	25			
			118A	17.0	20.4	29	30	27	106	34	110	32	35	31	110	32	35	108	36	40			
			119A	34.0	40.9	55	60	50	106	60	110	57	60	52	108	62	70	108	62	70			

**ELECTRICAL INFORMATION  
(UNITS PRODUCED ON OR AFTER JULY 30, 2012) cont.**

**Table 12 - UNIT WIRE/FUSE OR HACR BREAKER SIZING DATA (cont.)**

UNIT	NO M-V-PH-HZ	ELEC. HTR				NO C.O. or UNPWR C.O.													
		CRHEATER***A00	Nom (KW)	FLA	NO RE.			w/ P.E. (pwrd fr/unit)			NO PE.			w/ PWRD C.O.					
					MCA	MAX FUSE or BRKR	DISC. SIZE FLA LRA	MCA	MAX FUSE or BRKR	DISC. SIZE FLA LRA	MCA	MAX FUSE or BRKR	DISC. SIZE FLA LRA	MCA	MAX FUSE or BRKR	DISC. SIZE FLA LRA			
50TC+D09	STD	NONE	-	-	40/40	50/50	42/42	225	44/44	50/50	46/46	45/45	47/47	230	49/49	60/60	52/51	234	
		117A	7.8/10.4	21.7/25.0	40/40	50/50	42/42	225/225	44/44	50/50	46/46	45/45	47/47	230/230	49/49	60/60	52/51	234/234	
		110A	12.0/16.0	33.4/38.5	49/55	50/60	44/50	225/225	53/59	60/60	49/54	55/61	60/70	50/55	230/230	59/65	60/70	54/60	234/234
		111A	18.6/24.8	51.7/59.7	72/81	80/90	65/74	225/225	76/86	80/90	70/79	78/87	80/90	71/80	230/230	82/92	90/100	75/84	234/234
		112A	24.0/32.0	66.7/77.0	90/103	90/110	83/94	225/225	95/108	100/110	87/99	96/109	100/110	88/100	230/230	101/114	110/125	93/104	234/234
		112A+117A	31.8/42.4	88.4/102.0	117/134	125/150	108/123	225/225	122/139	125/150	112/127	229/229	123/140	125/150	230/230	128/145	150/150	118/133	234/234
	MED	NONE	-	-	42/42	50/50	44/44	246	46/46	60/50	48/48	47/47	47/47	251	51/51	60/60	54/53	255	
		117A	7.8/10.4	21.7/25.0	42/42	50/50	44/44	246/246	46/46	60/50	48/48	47/47	47/47	251/251	51/51	60/60	54/53	255/255	
		110A	12.0/16.0	33.4/38.5	51/57	60/60	46/52	246/246	56/62	60/70	51/56	57/63	60/70	52/58	62/68	70/70	56/62	255/255	
		111A	18.6/24.8	51.7/59.7	74/83	80/90	67/76	246/246	78/88	80/90	72/81	80/89	80/90	73/82	84/94	90/100	77/86	255/255	
		112A	24.0/32.0	66.7/77.0	92/105	100/110	85/96	246/246	97/110	100/110	89/101	98/111	100/125	90/102	103/116	110/125	95/106	255/255	
		112A+117A	31.8/42.4	88.4/102.0	120/136	125/150	110/125	246/246	124/141	125/150	114/129	126/142	150/150	115/131	130/147	150/150	119/135	255/255	
460-3-60	STD	NONE	-	-	19	20	118	21	25	21	20	21	20	22	23	25	24	122	
		116A	13.9	16.7	24	30	22	118	27	30	24	27	27	120	29	30	27	122	
		113A	16.5	19.8	28	30	26	118	31	35	28	30	30	28	120	33	35	122	
		114A	27.8	33.4	45	45	41	118	48	50	43	48	50	44	120	50	50	122	
		115A	33.0	39.7	53	60	49	118	55	60	51	56	60	51	120	60	60	122	
		114A+116A	41.7	50.2	66	70	61	118	69	70	63	69	70	63	120	71	80	122	
	MED	NONE	-	-	20	25	20	128	21	25	22	20	22	130	24	25	25	132	
		116A	13.9	16.7	26	30	23	128	28	30	25	28	28	130	31	35	28	132	
		113A	16.5	19.8	29	30	27	128	32	35	29	32	30	29	130	34	35	132	
		114A	27.8	33.4	46	44	42	128	49	50	44	49	50	45	130	51	60	132	
		115A	33.0	39.7	54	60	50	128	57	60	52	57	60	52	130	59	60	132	
		114A+116A	41.7	50.2	67	70	62	128	70	70	64	70	70	64	130	72	80	132	
575-3-60	STD	NONE	-	-	21	25	143	23	25	24	24	24	145	25	25	30	27	147	
		116A	13.9	16.7	28	30	25	143	30	30	27	31	35	145	33	35	30	147	
		113A	16.5	19.8	32	35	29	143	34	35	31	35	35	145	37	40	33	147	
		114A	27.8	33.4	49	50	45	143	51	60	47	52	60	47	145	54	60	147	
		115A	33.0	39.7	57	60	52	143	59	60	54	59	60	54	145	62	70	147	
		114A+116A	41.7	50.2	70	70	64	143	72	80	66	73	80	66	145	75	80	147	
	MED	NONE	-	-	16	20	16	85	19	25	20	17	18	87	21	25	22	91	
		118A	17.0	20.4	28	30	25	85	33	35	30	30	30	27	87	35	35	91	
		119A	34.0	40.9	54	60	49	85	58	60	53	56	60	51	87	70	55	91	
		NONE	-	-	16	20	16	89	20	25	20	18	20	18	91	21	25	95	
		118A	17.0	20.4	28	30	26	89	33	35	30	30	35	28	91	35	35	95	
		119A	34.0	40.9	54	60	49	89	59	60	54	56	60	51	91	61	70	95	
HIGH	NONE	-	-	17	20	17	100	21	25	21	18	18	102	22	25	23	106		
	118A	17.0	20.4	29	30	27	100	34	35	31	32	35	29	102	36	40	106		
	119A	34.0	40.9	55	60	50	100	60	60	55	57	60	52	102	62	70	106		

**ELECTRICAL INFORMATION (UNITS PRODUCED ON OR AFTER JULY 30, 2012) cont.**  
**Table 12 - UNIT WIRE/FUSE OR HACR BREAKER SIZING DATA (cont.)**

UNIT	NO. M. V. - Ph-HZ	ELEC. HTR								NO C.O. or UNPWR C.O.								W/ PWRD C.O.								
		IFM TYPE	CRHEATER***A00	Nom (kW)	FLA	MCA	MAX FUSE or BRKR	NO PE.		MCA	MAX FUSE or BRKR	MCA	MAX FUSE or BRKR	DISC. SIZE		MCA	NO PE.	DISC. SIZE		MCA	MAX FUSE or BRKR	W/ P.E. (pwrd fr/unit)				
								FLA	LRA					FLA	LRA			FLA	LRA			FLA	LRA	FLA	LRA	FLA
50T*A12		STD	NONE	-	48/48	60/60	46/46	290	290	52/52	60/60	60/60	50/50	294	294	53/53	60/60	52/51	295	57/56	80/80	56/56	80/80	299		
			117A	7.8/10.4	21.7/25.0	48/48	60/60	46/46	290/290	290/290	52/52	60/60	60/60	50/50	294/294	294/294	53/53	60/60	52/51	295/295	57/56	80/80	56/56	80/80	299/299	
			110A	12.0/16.0	33.4/38.5	51/57	60/60	46/52	290/290	290/290	56/62	60/60	60/60	51/56	294/294	294/294	57/63	60/60	52/58	295/295	62/68	80/80	56/62	80/80	299/299	
			112A	24.0/32.0	66.7/77.0	92/105	100/110	85/96	290/290	290/290	97/110	100/110	100/110	89/101	294/294	294/294	98/111	100/125	90/102	295/295	103/116	110/125	95/106	110/125	99/106	299/299
		MED	112A+117A	31.8/42.4	88.4/102.0	120/136	125/150	110/125	290/290	294/294	124/141	125/150	150/150	114/129	294/294	294/294	126/142	150/150	115/131	295/295	130/147	150/150	119/135	150/150	119/135	299/299
			112A+110A	37.6/50.0	104.2/120.3	139/129	150/150	128/146	290/290	290/290	144/134	150/150	150/150	132/150	294/294	294/294	145/135	150/150	133/152	295/295	150/140	150/150	138/156	150/150	138/156	299/299
			NONE	-	-	52	60	50	319	323	55	80	80	55	323	323	56	80	56	324	60	80	60	80	60	328
			117A	7.8/10.4	21.7/25.0	52/52	60/60	50/50	319/319	319/319	55/55	80/80	80/80	55/55	323/323	323/323	56/56	80/80	56/56	324/324	60/60	80/80	60/60	80/80	60/60	328/328
460-3-60		STD	110A	12.0/16.0	33.4/38.5	59/64	80/80	54/59	321/321	321/321	64/69	80/80	58/63	325/325	325/325	65/70	80/80	60/64	326/326	70/75	80/80	64/69	80/80	330/330		
			112A	24.0/32.0	66.7/77.0	97/110	100/110	89/101	319/319	319/319	102/115	110/125	110/125	93/105	323/323	323/323	103/116	110/125	94/106	324/324	108/121	110/125	99/111	110/125	328/328	
			112A+117A	31.8/42.4	88.4/102.0	128/144	150/150	114/129	319/319	319/319	129/146	150/150	150/150	118/134	323/323	323/323	130/147	150/150	119/135	324/324	135/152	150/175	124/139	150/175	328/328	
			112A+110A	37.6/50.0	104.2/120.3	148/137	150/150	132/151	319/319	319/319	149/139	150/150	150/150	136/155	323/323	323/323	150/140	150/150	138/156	324/324	155/145	175/175	142/160	175/175	328/328	
		MED	117A	7.8/10.4	21.7/25.0	55/54	80/80	54/53	321	321	58/58	80/80	80/80	58/57	325	325	59/59	80/80	59/58	326	63/62	80/80	64/63	80/80	330	
			117A	7.8/10.4	21.7/25.0	59/54	80/80	54/53	321/321	321/321	58/58	80/80	80/80	58/57	325/325	325/325	59/59	80/80	59/58	326/326	63/62	80/80	64/63	80/80	330/330	
			110A	12.0/16.0	33.4/38.5	59/64	80/80	54/59	321/321	321/321	64/69	80/80	80/80	58/63	325/325	325/325	65/70	80/80	60/64	326/326	70/75	80/80	64/69	80/80	330/330	
			112A	24.0/32.0	66.7/77.0	97/110	100/110	89/101	319/319	319/319	106/117	110/125	110/125	97/108	325/325	325/325	107/119	110/125	98/109	326/326	112/123	125/125	102/113	125/125	330/330	
575-3-60		STD	NONE	-	26	40	25	146	146	28	40	27	148	148	29	40	27	148	30	45	30	45	150			
			116A	13.9	16.7	19.8	26	40	27	146	146	32	40	29	148	148	32	40	29	148	31	45	30	150		
			113A	16.5	19.8	26	40	27	146	146	35	40	31	163	163	33	45	30	163	37	45	30	165			
			115A	33.0	39.7	57	60	52	161	161	60	80	63	54	163	163	65	70	54	163	62	70	56	165		
		MED	114A+116A	41.7	50.2	67	70	62	146	146	70	70	72	66	163	163	73	80	66	163	75	80	68	165		
			115A+119A	50.0	60.1	65	70	73	146	146	69	80	80	77	163	163	70	80	78	163	72	80	80	165		
			NONE	-	-	28	40	27	161	161	30	45	30	29	163	163	30	45	30	163	32	45	32	165		
			116A	13.9	16.7	19.8	26	40	27	161	161	30	45	29	163	163	31	45	30	163	33	45	32	165		
575-3-60		STD	NONE	-	29	45	18	95	95	23	30	22	99	99	21	30	20	97	24	45	30	45	166			
			118A	17.0	20.4	28	40	26	95	95	33	30	30	99	99	31	35	28	97	35	35	35	166			
			119A	34.0	40.9	54	60	49	95	95	59	60	60	51	97	97	56	60	51	97	61	70	56	166		
			118A+119A	51.0	61.3	64	70	73	95	95	69	80	80	77	99	99	66	70	75	97	71	80	79	166		
		MED	NONE	-	20	30	19	106	106	24	30	23	30	110	110	21	30	21	108	25	30	30	30	166		
			118A	17.0	20.4	29	30	27	106	106	34	35	35	31	110	110	32	35	29	108	36	40	33	166		
			119A	34.0	40.9	55	60	50	106	106	60	60	55	55	110	110	57	60	52	108	62	70	57	166		
			118A+119A	51.0	61.3	65	70	74	106	106	70	80	80	78	110	110	67	70	76	108	72	80	80	166		
50T*A12		STD	NONE	-	23	30	22	120	120	26	30	26	30	124	124	24	30	24	122	28	35	28	126			
			118A	17.0	20.4	33	35	30	120	120	38	40	34	124	124	35	35	32	122	40	40	36	126			
			119A	34.0	40.9	59	60	53	120	120	63	70	63	58	124	124	61	70	55	122	65	70	60	126		
			118A+119A	51.0	61.3	69	80	77	120	120	74	80	80	81	124	124	71	80	79	122	76	80	83	126		
		MED	NONE	-	29	45	28	162	162	31	45	32	45	164	164	32	45	31	164	33	45	33	45	166		
			116A	13.9	16.7	19.8	26	40	27	162	162	32	45	30	164	164	32	45	31	164	34	45	33	166		
			113A	16.5	19.8	26	40	30	162	162	35	45	45	32	164	164	36	45	33	164	38	45	35	166		
			115A	33.0	39.7	57	60	53	162	162	60	80	60	55	164	164	61	70	56	164	63	70	58	166		

# ELECTRICAL INFORMATION (UNITS PRODUCED ON OR AFTER JULY 30, 2012) cont.

Table 12 - UNIT WIRE/FUSE OR HACR BREAKER SIZING DATA (cont.)

UNIT	NOM. V-PH-HZ	ELEC. HTR				NO C.O. or UNPWR C.O.						NO P.E.						w/ PWRD C.O.						
		IFM TYPE	CRHEATER***A00	Nom (kW)	FLA	MCA	MAX FUSE or HACR BRKR	FLA	DISC. SIZE	MCA	MAX FUSE or HACR BRKR	FLA	DISC. SIZE	LRA	MCA	MAX FUSE or HACR BRKR	FLA	DISC. SIZE	LRA	MCA	MAX FUSE or HACR BRKR	FLA	DISC. SIZE	LRA
50TC*DI2	460-3-60	STD	NONE	-	-	48/47	285	289	50/49	60/60	52/52	289	289/289	51/50	53/53	290	54/54	60/60	53/53	290	54/54	60/60	58/57	294
			117A	7.8/10.4	21.7/25.0	48/47	285/285	50/49	60/60	52/52	289/289	51/50	289/289	51/50	53/53	290/290	54/54	60/60	58/57	294/294				
			110A	12.0/16.0	33.4/38.5	51/57	285/285	56/62	60/70	52/56	289/289	57/63	290/290	60/70	53/58	290/290	62/68	70/70	58/62	294/294				
			112A	24.0/32.0	66.7/77.0	89/101	285/285	97/110	100/110	89/101	289/289	98/111	290/290	100/125	90/102	290/290	103/116	110/125	95/106	294/294				
			112A+117A	31.8/42.4	88.4/102.0	114/129	285/285	124/141	125/150	114/129	289/289	126/142	290/290	150/150	115/131	290/290	130/147	150/150	119/135	294/294				
			112A+110A	37.6/50.0	104.2/120.3	139/129	285/285	144/134	150/150	132/150	289/289	145/135	290/290	150/150	133/152	290/290	150/140	150/150	138/156	294/294				
			NONE	-	-	52	314	53	60	56	318	54	319	60	57	319	58	70	62	323				
			117A	7.8/10.4	21.7/25.0	52/52	314/314	53/53	60/60	56/56	318/318	54/54	319/319	60/60	57/57	319/319	58/58	70/70	62/62	323/323				
			110A	12.0/16.0	33.4/38.5	52/56	314/314	60/67	60/70	56/61	318/318	61/68	319/319	70/70	57/62	319/319	66/73	70/80	62/66	323/323				
			112A	24.0/32.0	66.7/77.0	89/101	314/314	102/115	110/125	93/105	318/318	103/116	319/319	110/125	94/106	319/319	108/121	110/125	99/111	323/323				
			112A+117A	31.8/42.4	88.4/102.0	114/129	314/314	129/146	150/150	118/134	318/318	130/147	319/319	150/150	119/135	319/319	135/152	150/175	124/139	323/323				
			112A+110A	37.6/50.0	104.2/120.3	144/134	314/314	149/139	150/150	136/155	318/318	150/147	319/319	150/150	138/156	319/319	155/145	175/175	142/160	323/323				
			NONE	-	-	55/54	316	56/55	60/60	60/59	320	57/56	321	70/60	61/60	321	61/60	70/70	65/64	325				
			117A	7.8/10.4	21.7/25.0	55/54	316/316	56/55	60/60	60/59	320/320	57/56	321/321	70/60	61/60	321/321	61/60	70/70	65/64	325/325				
110A	12.0/16.0	33.4/38.5	55/59	316/316	64/69	60/70	60/63	320/320	65/70	321/321	70/70	61/64	321/321	70/75	70/80	65/69	325/325							
112A	24.0/32.0	66.7/77.0	92/103	316/316	106/117	110/125	97/108	320/320	107/119	321/321	110/125	98/109	321/321	112/123	125/125	102/113	325/325							
112A+117A	31.8/42.4	88.4/102.0	117/132	316/316	133/149	150/150	122/136	320/320	134/150	321/321	150/150	123/137	321/321	139/155	150/175	127/142	325/325							
112A+110A	37.6/50.0	104.2/120.3	135/153	316/316	152/141	150/150	140/157	320/320	154/143	321/321	175/175	141/158	321/321	158/147	175/175	145/163	325/325							
50TC*DI2	460-3-60	STD	NONE	-	-	23	136	138	25	25	138	138	26	26	27	27	28	140						
			116A	13.9	16.7	23	136	138	26	138	28	138	30	26	138	31	35	28	140					
			113A	16.5	19.8	27	136	138	29	138	32	138	35	29	138	34	35	31	140					
			115A	33.0	39.7	50	136	138	60	52	138	57	138	60	52	138	59	60	54	140				
			114A+116A	41.7	50.2	67	136	138	70	64	138	70	138	70	64	138	72	80	66	140				
			115A+119A	50.0	60.1	73	136	138	80	75	138	68	138	70	76	138	70	80	78	140				
			NONE	-	-	26	151	26	30	28	153	27	153	30	28	153	29	30	30	155				
			116A	13.9	16.7	26	151	28	30	28	153	27	153	30	28	153	33	35	30	155				
			113A	16.5	19.8	29	151	34	35	31	153	35	153	35	31	153	37	40	33	155				
			115A	33.0	39.7	52	151	59	60	54	153	59	153	60	54	153	62	70	56	155				
			114A+116A	41.7	50.2	64	151	72	70	66	153	73	153	80	66	153	75	80	68	155				
			115A+119A	50.0	60.1	75	151	69	80	77	153	70	153	80	78	153	72	80	80	155				
			NONE	-	-	27	152	28	30	29	154	28	154	30	29	154	30	35	32	156				
			116A	13.9	16.7	27	152	32	30	29	154	32	154	35	29	154	34	35	32	156				
113A	16.5	19.8	30	152	35	35	32	154	36	154	40	33	154	38	40	35	156							
115A	33.0	39.7	53	152	60	60	55	154	61	154	70	56	154	63	70	58	156							
114A+116A	41.7	50.2	65	152	73	80	67	154	74	154	80	68	154	76	80	70	156							
115A+119A	50.0	60.1	76	152	71	80	79	154	71	154	80	79	154	74	80	81	156							
575-3-60	575-3-60	STD	NONE	-	-	17	93	97	20	25	97	97	21	19	22	25	23	99						
			118A	17.0	20.4	17	93	97	20	97	18	97	20	19	95	22	25	23	99					
			119A	34.0	40.9	54	93	97	60	54	97	56	97	60	51	95	61	70	56	99				
			118A+119A	51.0	61.3	64	93	97	70	73	97	66	97	80	75	95	71	80	79	99				
			NONE	-	-	17	104	21	25	108	19	108	25	20	106	23	25	24	110					
			118A	17.0	20.4	29	104	34	35	31	108	32	108	35	29	106	36	40	33	110				
			119A	34.0	40.9	55	104	60	60	55	108	57	108	60	52	106	62	70	57	110				
			118A+119A	51.0	61.3	65	104	70	80	74	108	67	108	80	76	106	72	80	80	110				
			NONE	-	-	20	118	24	25	122	22	122	25	23	120	26	30	27	124					
			118A	17.0	20.4	33	118	38	40	34	122	35	122	40	32	120	40	40	36	124				
			119A	34.0	40.9	59	118	63	70	58	122	61	122	70	55	120	65	70	60	124				
			118A+119A	51.0	61.3	69	118	74	80	81	122	71	122	80	79	120	76	80	83	124				

# ELECTRICAL INFORMATION (UNITS PRODUCED ON OR AFTER JULY 30, 2012) cont.

**Table 12 - UNIT WIRE/FUSE OR HACR BREAKER SIZING DATA (cont.)**

UNIT	NOM. V-PH-HZ	ELEC. HTR				NO C.O. or UNPWR C.O.												w/ PWRD C.O.											
		IFM TYPE	CRHEATER***A00	Norm (KW)	FLA	NO PE.				w/ P.E. (pwrd fr/unit)				NO PE.				w/ P.E. (pwrd fr/unit)											
					MCA	MAX FUSE or HACR BRKR	FLA	DISC. SIZE	MCA	MAX FUSE or HACR BRKR	FLA	LRA	DISC. SIZE	MCA	MAX FUSE or HACR BRKR	FLA	LRA	DISC. SIZE	MCA	MAX FUSE or HACR BRKR	FLA	LRA	DISC. SIZE	MCA	MAX FUSE or HACR BRKR	FLA	LRA		
50TC*14	460-3-60	STD	NONE	-	-	31	40	32	189	33	40	34	191	33	33	40	34	191	33	33	40	34	191	33	35	40	36	193	
			116A	13.9	16.7	16.7	31	40	32	189	33	40	34	191	33	33	40	34	191	33	33	40	34	191	33	35	40	36	193
			113A	16.5	19.8	19.8	31	40	32	189	33	40	34	191	33	33	40	34	191	33	33	40	34	191	33	35	40	36	193
			115A	33.0	39.7	39.7	55	60	50	189	58	60	53	191	191	58	58	60	53	191	191	58	60	53	191	60	60	55	193
			114A+116A	41.7	50.2	50.2	68	70	63	189	71	80	65	191	191	71	71	80	65	191	191	71	80	65	191	71	80	67	193
			115A+113A	50.0	60.1	60.1	66	70	74	189	68	70	76	191	191	68	69	70	76	191	191	68	70	76	191	71	80	79	193
			NONE	-	-	-	32	40	33	196	34	40	35	198	198	34	34	40	36	198	198	34	40	36	198	36	36	45	200
			116A	13.9	16.7	16.7	32	40	33	196	34	40	35	198	198	34	34	40	36	198	198	34	40	36	198	36	36	45	200
			113A	16.5	19.8	19.8	32	40	33	196	34	40	35	198	198	34	34	40	36	198	198	34	40	36	198	37	37	45	200
			115A	33.0	39.7	39.7	57	60	52	196	59	60	54	198	198	59	59	60	54	198	198	59	60	54	198	62	70	56	200
575-3-60	STD	NONE	-	-	23	30	23	142	27	30	28	146	146	27	24	30	25	144	144	27	30	25	144	28	30	30	148		
		118A	17.0	20.4	20.4	29	30	27	142	34	35	31	146	146	34	32	35	29	144	144	34	35	29	144	36	40	148		
		119A	34.0	40.9	40.9	55	60	50	142	60	60	55	146	146	60	57	60	52	144	144	60	60	52	144	62	70	57	148	
		118A+119A	51.0	61.3	61.3	65	70	74	142	70	70	78	146	146	70	67	70	76	144	144	72	80	76	144	72	80	80	148	
		NONE	-	-	-	23	30	23	142	27	30	28	146	146	27	24	30	25	144	144	27	30	25	144	28	30	30	148	
		118A	17.0	20.4	20.4	29	30	27	142	34	35	31	146	146	34	32	35	29	144	144	34	35	29	144	36	40	148		
		119A	34.0	40.9	40.9	55	60	50	142	60	60	55	146	146	60	57	60	52	144	144	62	70	52	144	62	70	57	148	
		118A+119A	51.0	61.3	61.3	65	70	74	142	70	70	78	146	146	70	67	70	76	144	144	72	80	76	144	72	80	80	148	
		NONE	-	-	-	26	30	27	156	29	30	31	160	160	29	27	30	29	158	158	31	35	29	158	31	35	33	162	
		118A	17.0	20.4	20.4	33	35	30	156	38	40	34	160	160	38	35	35	32	158	158	40	40	36	158	40	40	36	162	
119A	34.0	40.9	40.9	59	60	53	156	63	70	58	160	160	63	61	70	55	158	158	65	70	55	158	65	70	60	162			
118A+119A	51.0	61.3	61.3	69	80	77	156	74	80	81	160	160	74	71	80	79	158	158	76	80	79	158	76	80	83	162			

**ELECTRICAL INFORMATION  
(UNITS PRODUCED ON OR AFTER JULY 30, 2012) cont.**

**Table 12 - UNIT WIRE/FUSE OR HACR BREAKER SIZING DATA (cont.)**

UNIT	NO M, V-PH-HZ	ELEC. HTR			NO C.O. or UNPWR C.O.						NO PE.						w/ PWRD C.O.						
		IFM TYPE	Nom (kW)	FLA	MCA	MAX FUSE or BRKR	DISC. SIZE		MCA	MAX FUSE or BRKR	MCA	DISC. SIZE		MCA	MAX FUSE or BRKR	DISC. SIZE		MCA	MAX FUSE or BRKR	DISC. SIZE			
							FLA	LRA				FLA	LRA			FLA	LRA			FLA	LRA	FLA	LRA
50TC+D16	208/230-3-60	STD	NONE	-	-	70/70	80/80	72/72	412	73/73	80/80	77/77	416	74/74	90/90	78/78	417	78/78	100/100	78/78	82/82	421	
			291A	12.4/16.5	34.4/39.7	70/70	80/80	72/72	412/412	73/73	80/80	77/77	416/416	74/74	90/90	78/78	417/417	78/78	100/100	78/78	82/82	421/421	
			294A	25.2/33.5	69.9/80.6	98/112	100/125	94/107	103/118	104/118	110/125	96/108	104/118	104/118	104/118	110/125	109/122	109/122	109/122	110/125	100/112	100/112	421/421
			288A+294A	32.7/43.5	90.7/104.7	124/142	125/150	114/130	129/146	130/148	150/150	118/134	130/148	130/148	130/148	150/150	150/150	150/150	119/135	135/152	150/175	124/140	421/421
			291A+294A	37.6/50.0	104.3/120.3	141/131	150/150	130/148	146/136	147/137	150/150	134/152	147/137	147/137	147/137	150/150	152/142	152/142	152/142	175/150	139/158	139/158	421/421
			294A+294A	50.3/67.0	139.7/161.2	151/172	175/200	170/195	155/177	157/178	175/200	175/199	157/178	157/178	157/178	175/200	175/200	175/200	176/200	161/183	175/200	180/205	421/421
	460-3-60	MED	NONE	-	-	72	80	75	426	76	100	79	430	77	100	80	431	80	100	80	85	435	
			291A	12.4/16.5	34.4/39.7	72/72	80/80	75/75	426/426	76/76	100/100	79/79	430/430	77/77	100/100	100/100	80/80	431/431	80/80	100/100	85/85	435/435	
			294A	25.2/33.5	69.9/80.6	101/114	110/125	93/105	106/119	107/120	110/125	97/109	107/120	107/120	110/125	110/125	110/125	98/110	112/125	125/125	102/115	102/115	435/435
			288A+294A	32.7/43.5	90.7/104.7	127/145	150/150	116/133	132/149	133/151	150/150	121/137	133/151	133/151	150/175	150/175	150/175	122/138	138/155	150/175	126/142	126/142	435/435
			291A+294A	37.6/50.0	104.3/120.3	144/134	150/150	132/151	149/139	150/140	150/150	137/155	150/140	150/140	150/140	150/150	150/150	138/156	155/145	175/175	142/160	142/160	435/435
			294A+294A	50.3/67.0	139.7/161.2	153/175	175/200	173/198	158/180	159/181	175/200	177/202	159/181	159/181	175/200	175/200	175/200	178/203	164/186	175/200	183/207	183/207	435/435
50TC+D16	208/230-3-60	HIGH	NONE	-	-	82	100	86	432	85	100	91	436	86	100	92	437	90	100	96	441		
			291A	12.4/16.5	34.4/39.7	82/82	100/100	86/86	432/432	85/85	100/100	91/91	436/436	86/86	100/100	100/100	92/92	437/437	90/90	100/100	96/96	441/441	
			294A	25.2/33.5	69.9/80.6	113/127	125/150	104/116	119/131	119/133	125/150	108/121	119/133	119/133	125/150	125/150	109/122	124/137	124/137	125/150	114/126	114/126	441/441
			288A+294A	32.7/43.5	90.7/104.7	139/157	150/175	128/144	144/162	145/163	150/175	132/148	145/163	145/163	150/175	150/175	133/149	150/168	150/168	150/175	138/154	138/154	441/441
			291A+294A	37.6/50.0	104.3/120.3	156/146	175/175	143/162	161/151	162/152	175/175	148/166	162/152	162/152	175/175	175/175	149/167	167/157	167/157	175/175	153/172	153/172	441/441
			294A+294A	50.3/67.0	139.7/161.2	166/187	175/225	184/209	170/192	172/193	175/225	188/213	172/193	172/193	200/225	200/225	190/214	176/198	176/198	200/225	194/219	194/219	441/441
	460-3-60	STD	NONE	-	-	35	45	36	242	37	45	38	244	37	45	45	244	39	45	50	41	246	
			292A	16.5	19.9	35	45	36	242	37	45	38	244	37	45	45	244	39	45	50	41	246	
			295A	33.5	40.3	56	60	51	242	58	60	60	53	244	59	60	54	244	61	70	56	246	
			289A+295A	43.5	52.3	71	80	65	242	73	80	80	67	244	74	80	68	244	76	80	70	246	
			292A+295A	50.0	60.2	66	70	74	242	68	80	80	76	244	69	80	77	244	71	80	79	246	
			295A+295A	67.0	80.6	86	100	98	242	89	100	100	100	244	89	100	100	244	91	100	102	246	
460-3-60	MED	NONE	-	-	36	45	38	249	38	50	40	251	39	50	40	251	40	50	42	253			
		292A	16.5	19.9	36	45	38	249	38	50	40	251	39	50	40	251	40	50	42	253			
		295A	33.5	40.3	57	60	52	249	60	60	55	251	60	60	55	251	62	70	57	253			
		289A+295A	43.5	52.3	72	80	66	249	75	80	68	251	75	80	69	251	77	80	71	253			
		292A+295A	50.0	60.2	67	80	75	249	70	80	77	251	70	80	78	251	72	80	80	253			
		295A+295A	67.0	80.6	88	100	99	249	90	100	100	101	251	90	100	101	251	93	100	103	253		
460-3-60	HIGH	NONE	-	-	41	50	43	252	43	50	45	254	43	50	46	254	45	50	48	256			
		292A	16.5	19.9	41	50	43	252	43	50	45	254	43	50	46	254	45	50	48	256			
		295A	33.5	40.3	64	70	58	252	66	70	60	254	66	70	61	254	69	70	63	256			
		289A+295A	43.5	52.3	79	80	72	252	81	90	74	254	81	90	74	254	84	90	76	256			
		292A+295A	50.0	60.2	73	80	81	252	76	80	83	254	76	80	83	254	78	80	86	256			
		295A+295A	67.0	80.6	94	100	104	252	96	100	106	254	97	100	107	254	99	100	109	256			

**ELECTRICAL INFORMATION  
(UNITS PRODUCED ON OR AFTER JULY 30, 2012) cont.**

**Table 12 - UNIT WIRE/FUSE OR HACR BREAKER SIZING DATA (cont.)**

UNIT	NO M, V-PH-HZ	IFM TYPE	ELEC. HTR			NO C.O. or UNPWR C.O.						w/ PWRD C.O.										
			CRHEATER**A00	Nom (kW)	FLA	NO PE.			w/ PE. (pwrdr fr/unit)			NO PE.			w/ PE. (pwrdr fr/unit)							
						MCA	MAX FUSE or HACR BRKR	DISC. SIZE FLA LRA	MCA	MAX FUSE or HACR BRKR	DISC. SIZE FLA LRA	MCA	MAX FUSE or HACR BRKR	DISC. SIZE FLA LRA	MCA	MAX FUSE or HACR BRKR	DISC. SIZE FLA LRA					
50TC*D16	575-3-60	STD	NONE	-	-	30	28	184	31	40	32	188	29	35	30	186	32	40	34	190		
			293A	16.5	15.9	30	28	184	31	40	32	188	29	35	30	186	32	40	34	190		
			296A	33.5	32.2	44	45	184	49	50	45	188	46	50	42	50	42	186	51	60	47	190
			290A+296A	43.5	41.8	56	60	184	61	70	56	188	58	60	53	60	53	186	63	70	58	190
			293A+296A	50.0	48.1	52	60	184	57	60	63	188	54	60	60	60	60	186	59	60	65	190
			296A+296A	67.0	64.4	68	80	184	73	80	82	188	70	80	79	80	79	186	75	80	84	190
50TC*D16	575-3-60	MED	NONE	-	-	30	28	184	31	40	32	188	29	35	30	186	32	40	34	190		
			293A	16.5	15.9	30	28	184	31	40	32	188	29	35	30	186	32	40	34	190		
			296A	33.5	32.2	44	45	184	49	50	45	188	46	50	42	50	42	186	51	60	47	190
			290A+296A	43.5	41.8	56	60	184	61	70	56	188	58	60	53	60	53	186	63	70	58	190
			293A+296A	50.0	48.1	52	60	184	57	60	63	188	54	60	60	60	60	186	59	60	65	190
			296A+296A	67.0	64.4	68	80	184	73	80	82	188	70	80	79	80	79	186	75	80	84	190
50TC*D16	575-3-60	HIGH	NONE	-	-	40	35	196	37	45	39	200	35	40	37	198	39	45	41	202		
			293A	16.5	15.9	40	35	196	37	45	39	200	35	40	37	198	39	45	41	202		
			296A	33.5	32.2	52	60	196	57	60	52	200	54	60	49	60	49	198	59	60	54	202
			290A+296A	43.5	41.8	64	70	196	69	70	63	200	66	70	60	70	60	198	71	80	65	202
			293A+296A	50.0	48.1	60	70	196	65	70	70	200	62	70	68	70	68	198	67	70	72	202
			296A+296A	67.0	64.4	76	80	196	81	90	89	200	78	80	86	80	86	198	83	90	91	202

# ELECTRICAL INFORMATION (UNITS PRODUCED ON OR AFTER JULY 30, 2012) cont.

**Table 13 – UNIT WIRE/FUSE OR HACR BREAKER SIZING DATA WITH 2 SPEED INDOOR FAN MOTOR**

UNIT	NO. M. V. Ph-HZ	ELEC. HTR					NO C.O. or UNPWR C.O.						w/ PWRD C.O.								
		IFM TYPE	CRHEATER***A00	Nom (KW)	FLA	MCA	NO RE.			w/ P.E. (pwrd fr/unit)			NO PE.			w/ P.E. (pwrd fr/unit)					
							MAX FUSE or BRKR	DISC. SIZE		MCA	MAX FUSE or BRKR	DISC. SIZE		MCA	MAX FUSE or BRKR	DISC. SIZE		MCA	MAX FUSE or BRKR	DISC. SIZE	
								FLA	LRA			FLA	LRA			FLA	LRA			FLA	LRA
50TC+D08	460-3-60	STD	NONE	-	40/40	50/50	41/41	197	44/43	50/50	46/46	201	45/44	50/50	47/47	202	48/48	60/60	51/51	206	
			117A	7.8/10.4	21.7/25.0	40/40	50/50	41/41	197/197	44/43	50/50	46/46	201/201	45/44	50/50	47/47	202/202	48/49	60/60	51/51	206/206
			110A	12.0/16.0	33.4/38.5	49/56	50/60	45/51	197/197	54/60	60/60	49/55	201/201	55/62	60/70	51/56	202/202	60/66	60/70	55/61	206/206
			111A	18.6/24.8	51.7/59.7	72/82	80/90	66/75	197/197	77/87	80/90	70/79	201/201	78/88	80/90	72/81	202/202	83/93	90/100	76/85	206/206
			112A	24.0/32.0	66.7/77.0	91/104	100/110	83/95	197/197	96/108	100/110	88/99	201/201	97/110	100/110	89/101	202/202	102/114	110/125	93/105	206/206
			112A+117A	31.8/42.4	88.4/102.0	118/135	125/150	108/124	197/197	123/140	125/150	113/128	201/201	124/141	125/150	114/129	202/202	129/146	150/150	118/134	206/206
			NONE	-	43/42	50/50	45/44	227	46/46	50/50	49/48	231	47/47	232	51/50	50/49	232	51/50	60/60	55/54	236
			117A	7.8/10.4	21.7/25.0	43/42	50/50	45/44	227/227	46/46	50/50	49/48	231/231	47/47	60/60	50/49	232/232	51/52	60/60	55/54	236/236
			110A	12.0/16.0	33.4/38.5	59/64	60/70	48/53	227/227	58/63	60/70	54/59	231/231	59/64	60/70	54/59	232/232	64/69	70/70	58/63	236/236
			111A	18.6/24.8	51.7/59.7	76/85	80/90	69/78	227/227	81/90	90/90	74/82	231/231	82/91	90/100	75/83	232/232	87/96	90/100	79/88	236/236
			112A	24.0/32.0	66.7/77.0	95/106	100/110	87/98	227/227	99/111	100/125	91/102	231/231	101/112	110/125	92/103	232/232	105/117	110/125	96/107	236/236
112A+117A	31.8/42.4	88.4/102.0	122/138	125/150	112/126	227/227	126/142	150/150	116/131	231/231	128/144	150/150	117/132	232/232	132/148	150/150	121/136	236/236			
50TC+D08	460-3-60	HIGH	NONE	-	48/47	60/60	50/49	262	51/51	60/60	55/54	266	52/52	60/60	56/55	267	56/55	60/60	60/59	271	
			117A	7.8/10.4	21.7/25.0	48/48	60/60	50/49	262/262	51/52	60/60	55/54	266/266	52/54	60/60	56/55	267/267	56/58	60/60	60/59	271/271
			110A	12.0/16.0	33.4/38.5	59/64	60/70	54/59	262/262	64/69	70/70	58/63	266/266	65/70	70/70	60/64	267/267	70/75	70/80	64/69	271/271
			111A	18.6/24.8	51.7/59.7	82/91	90/100	75/83	262/262	87/96	90/100	79/88	266/266	89/97	90/100	81/89	267/267	93/102	100/110	85/93	271/271
			112A	24.0/32.0	66.7/77.0	101/113	110/125	92/103	262/262	106/117	110/125	97/108	266/266	107/119	110/125	98/109	267/267	112/123	125/125	102/113	271/271
			112A+117A	31.8/42.4	88.4/102.0	128/144	150/150	117/132	262/262	133/149	150/150	122/136	266/266	134/150	150/150	123/137	267/267	139/155	150/175	127/142	271/271
			NONE	-	19	20	19	97	20	21	20	21	99	21	21	25	22	23	25	24	101
			116A	13.9	16.7	25	25	23	97	27	27	30	25	99	28	28	29	30	30	27	101
			113A	16.5	19.8	29	30	26	97	31	31	35	28	99	30	35	29	33	35	31	101
			114A	27.8	33.4	46	50	42	97	48	48	50	44	99	49	50	44	99	51	60	101
			115A	33.0	39.7	54	60	49	97	56	56	60	51	99	56	60	52	99	60	60	101
114A+116A	41.7	50.2	67	70	61	97	69	70	70	63	99	70	70	64	99	72	80	101			
50TC+D08	460-3-60	MED	NONE	-	20	25	113	21	20	22	115	22	22	25	22	24	25	25	24	117	
			116A	13.9	16.7	26	30	24	113	28	30	26	115	29	30	26	115	31	35	117	
			113A	16.5	19.8	30	30	27	113	32	35	29	115	33	35	30	115	35	35	117	
			114A	27.8	33.4	47	50	43	113	49	50	45	115	50	50	45	115	52	60	117	
			115A	33.0	39.7	55	60	50	113	57	60	52	115	58	60	53	115	60	60	117	
			114A+116A	41.7	50.2	68	70	62	113	70	70	64	115	71	80	65	115	73	80	117	
			NONE	-	22	25	22	113	24	24	30	25	132	24	30	26	132	26	30	134	
			116A	13.9	16.7	29	30	27	130	32	35	29	132	32	35	29	132	34	35	134	
			113A	16.5	19.8	33	35	30	130	35	35	32	132	36	40	33	132	38	40	134	
			114A	27.8	33.4	50	50	46	130	52	50	48	132	53	60	48	132	55	60	134	
			115A	33.0	39.7	58	60	53	130	60	60	55	132	61	70	56	132	63	70	134	
114A+116A	41.7	50.2	71	80	65	130	73	80	67	132	74	80	68	132	76	80	134				
575-3-60	STD	NONE	-	14	15	14	79	18	20	19	83	16	20	16	81	19	25	21	85		
		118A	17.0	20.4	29	30	27	79	34	35	31	83	32	35	29	81	36	40	85		
		119A	34.0	40.9	55	60	50	79	60	60	55	83	57	60	52	81	62	70	85		
		NONE	-	16	20	16	92	19	25	21	96	17	20	18	94	21	25	23	98		
575-3-60	MED	118A	17.0	20.4	32	35	29	92	36	40	33	96	34	35	31	94	38	40	98		
		119A	34.0	40.9	57	60	52	92	62	70	57	96	59	60	54	94	64	70	98		
575-3-60	HIGH	NONE	-	18	20	18	106	22	25	23	110	20	25	20	108	23	25	24	112		
		118A	17.0	20.4	34	35	31	106	38	40	35	110	36	40	33	108	41	45	112		
		119A	34.0	40.9	59	60	54	106	64	70	59	110	61	70	56	108	66	70	112		



**ELECTRICAL INFORMATION (UNITS PRODUCED ON OR AFTER JULY 30, 2012) cont.**

**Table 13 - UNIT WIRE/FUSE OR HACR BREAKER SIZING DATA WITH 2 SPEED INDOOR FAN MOTOR (cont.)**

UNIT	ELEC. HTR				NO C.O. or UNPWR C.O.										w/ PWRD C.O.									
	IFM TYPE	CRHEATER***A00	Nom (kW)	FLA	NO PE.				w/ P.E. (pwrd fr/unit)				NO PE.				w/ P.E. (pwrd fr/unit)							
					MCA	FUSE or HACR BRKR	FLA	DISC. SIZE	LRA	MCA	FUSE or HACR BRKR	FLA	DISC. SIZE	LRA	MCA	FUSE or HACR BRKR	FLA	DISC. SIZE	LRA					
50TC-D09	STD	NONE	-	-	41/41	50/50	43/42	212	216	47/47	46/46	50/50	48/48	217	50/49	60/60	52/52	221	221	52/52	221/221			
		117A	7.8/10.4	21.7/25.0	41/41	50/50	43/42	212/212	216/216	47/47	46/46	50/50	48/48	217/217	50/49	60/60	52/52	221/221	221/221	52/52	221/221			
		110A	12.0/16.0	33.4/38.5	49/56	50/60	45/51	212/212	216/216	49/55	55/62	60/70	51/56	217/217	60/66	60/70	55/61	221/221	221/221	55/61	221/221			
		111A	18.6/24.8	51.7/59.7	72/82	80/90	66/75	212/212	216/216	70/79	78/88	80/90	72/81	217/217	83/93	90/100	76/85	221/221	221/221	76/85	221/221			
		112A	24.0/32.0	66.7/77.0	91/104	100/110	83/95	212/212	216/216	88/99	97/110	100/110	88/99	217/217	102/114	100/125	93/105	221/221	221/221	93/105	221/221			
		112A+117A	31.8/42.4	88.4/102.0	118/135	125/150	108/124	212/212	216/216	113/128	124/141	125/150	113/128	217/217	118/134	150/150	118/134	221/221	221/221	118/134	221/221			
	MED	NONE	-	-	42/42	50/50	44/44	216	220	48/48	47/47	60/60	48/48	220	51/51	60/60	54/54	225	225	54/54	225/225			
		117A	7.8/10.4	21.7/25.0	42/42	50/50	44/44	216/216	220/220	48/48	47/47	60/60	48/48	220/220	51/51	60/60	54/54	225/225	225/225	54/54	225/225			
		110A	12.0/16.0	33.4/38.5	51/57	60/60	47/52	216/216	220/220	51/56	57/63	60/70	51/56	220/220	62/68	70/70	56/62	225/225	225/225	56/62	225/225			
		111A	18.6/24.8	51.7/59.7	74/84	80/90	68/76	216/216	220/220	68/76	80/90	80/90	72/81	220/220	85/94	90/100	78/86	225/225	225/225	78/86	225/225			
		112A	24.0/32.0	66.7/77.0	93/105	100/110	85/96	216/216	220/220	89/101	99/111	100/125	89/101	220/220	103/116	110/125	95/106	225/225	225/225	95/106	225/225			
		112A+117A	31.8/42.4	88.4/102.0	120/136	125/150	110/125	216/216	220/220	114/129	126/142	150/150	114/129	220/220	131/147	150/150	120/135	225/225	225/225	120/135	225/225			
460-3-60	STD	NONE	-	-	19	25	20	111	113	22	21	25	113	23	25	25	24	113	23	24	115			
		116A	13.9	16.7	25	30	23	111	113	25	27	30	113	113	30	30	27	113	30	27	115			
		113A	16.5	19.8	29	30	26	111	113	28	32	35	113	113	34	35	31	113	34	31	115			
		114A	27.8	33.4	46	50	42	111	113	44	49	50	113	113	44	50	44	113	44	46	115			
		115A	33.0	39.7	54	60	49	111	113	51	56	60	113	113	51	60	46	113	51	46	115			
		114A+116A	41.7	50.2	67	70	61	111	113	63	70	70	113	113	64	80	66	113	72	66	115			
	MED	NONE	-	-	20	25	21	114	116	23	22	25	116	116	24	30	25	116	24	25	118			
		116A	13.9	16.7	26	30	24	114	116	26	29	30	116	116	26	31	35	116	26	28	118			
		113A	16.5	19.8	30	30	27	114	116	32	33	35	116	116	30	35	32	116	30	32	118			
		114A	27.8	33.4	47	50	43	114	116	45	50	50	116	116	45	50	47	116	45	47	118			
		115A	33.0	39.7	55	60	50	114	116	57	58	60	116	116	53	60	55	116	53	55	118			
		114A+116A	41.7	50.2	68	70	62	114	116	64	71	80	116	116	65	80	67	116	73	67	118			
575-3-60	STD	NONE	-	-	21	25	22	139	141	24	23	25	141	24	25	26	143	25	24	26	143			
		116A	13.9	16.7	27	30	25	139	141	27	30	30	141	27	30	28	141	27	29	143				
		113A	16.5	19.8	31	35	28	139	141	30	34	35	141	31	36	40	141	31	33	143				
		114A	27.8	33.4	48	50	44	139	141	46	51	60	141	47	53	60	49	141	47	49	143			
		115A	33.0	39.7	56	60	51	139	141	53	59	60	141	54	61	70	56	141	54	56	143			
		114A+116A	41.7	50.2	69	70	63	139	141	65	72	80	141	66	74	80	68	141	66	68	143			
	MED	NONE	-	-	17	20	17	87	91	21	18	20	91	91	19	20	23	93	22	19	93			
		118A	17.0	20.4	29	30	27	87	91	31	32	35	91	89	36	40	33	93	29	36	93			
		119A	34.0	40.9	55	60	50	87	91	60	57	60	91	52	62	70	57	93	52	62	93			
		NONE	-	-	17	20	18	91	95	22	19	25	95	95	20	25	25	97	20	24	97			
		118A	17.0	20.4	30	30	27	91	95	32	32	35	95	93	37	40	34	97	29	37	97			
		119A	34.0	40.9	56	60	51	91	95	61	58	70	95	53	63	70	57	97	53	63	97			
HIGH	NONE	-	-	18	20	19	100	104	22	20	25	104	104	21	25	30	106	21	24	106				
	118A	17.0	20.4	32	35	29	100	104	33	34	40	104	104	31	35	40	106	31	35	106				
	119A	34.0	40.9	57	60	52	100	104	62	59	60	104	104	54	70	59	106	54	64	106				



**ELECTRICAL INFORMATION (UNITS PRODUCED ON OR AFTER JULY 30, 2012) cont.**

**Table 13 - UNIT WIRE/FUSE OR HACR BREAKER SIZING DATA WITH 2 SPEED INDOOR FAN MOTOR (cont.)**

UNIT	NO. M. V.-PH. HZ.	ELEC. HTR				NO C.O. or UNPWR C.O.				NO PWR C.O.												
		CRHEATER***A00	Nom (kW)	FLA	MCA	MAX FUSE or HACR BRKR	FLA	DISC. SIZE	MCA	MAX FUSE or HACR BRKR	FLA	DISC. SIZE	MCA	MAX FUSE or HACR BRKR	FLA	DISC. SIZE	DISC. SIZE					
50TC*D14	460-3-60	NONE	-	-	62/61	80/80	65/64	357	66/65	80/80	69/68	361	67/66	80/80	70/69	362	71/70	80/80	75/74	366		
					7.8/10.4	21.7/25.0	62/61	80/80	65/64	357/357	66/65	80/80	69/68	361/361	67/66	80/80	70/69	362/362	71/70	80/80	75/74	366/366
					12.0/16.0	33.4/38.5	62/61	80/80	65/64	357/357	66/65	80/80	69/68	361/361	67/66	80/80	70/69	362/362	71/70	80/80	75/74	366/366
					24.0/32.0	66.7/77.0	95/106	100/110	87/98	357/357	99/111	100/125	91/102	361/361	101/112	110/125	92/103	362/362	105/117	110/125	96/107	366/366
					31.8/42.4	88.4/102.0	122/138	125/150	112/126	357/357	126/142	150/150	116/131	361/361	128/144	150/150	117/132	362/362	132/148	150/150	121/136	366/366
					37.6/50.0	104.2/120.3	141/131	150/150	134/152	357/357	146/135	150/150	147/137	361/361	147/137	150/150	135/153	362/362	152/141	175/150	140/157	366/366
					NONE	-	64/63	80/80	67/66	381	68/67	80/80	72/70	385	69/68	80/80	73/72	386	73/72	80/80	77/76	390
					7.8/10.4	21.7/25.0	64/63	80/80	67/66	381/381	68/67	80/80	72/70	385/385	69/68	80/80	73/72	386/386	73/72	80/80	77/76	390/390
					12.0/16.0	33.4/38.5	64/63	80/80	67/66	381/381	68/67	80/80	72/70	385/385	69/68	80/80	73/72	386/386	73/72	80/80	77/76	390/390
					24.0/32.0	66.7/77.0	97/109	100/110	89/100	381/381	102/114	110/125	93/104	385/385	103/115	110/125	95/105	386/386	108/120	110/125	99/110	390/390
31.8/42.4	88.4/102.0	124/140	125/150	114/129	381/381	129/145	150/150	118/133	385/385	130/146	150/150	120/134	386/386	135/151	150/175	124/138	390/390					
37.6/50.0	104.2/120.3	144/133	150/150	132/150	381/381	149/138	150/150	137/154	385/385	150/139	150/150	138/155	386/386	155/144	175/175	142/138	390/390					
50TC*D14	460-3-60	NONE	-	-	67/66	80/80	70/69	392	71/70	80/80	75/74	396	72/71	80/80	76/75	397	76/75	80/80	80/79	401		
					7.8/10.4	21.7/25.0	67/66	80/80	70/69	392/392	71/70	80/80	75/74	396/396	72/71	80/80	76/75	397/397	76/75	80/80	80/79	401/401
					12.0/16.0	33.4/38.5	67/66	80/80	70/69	392/392	71/70	80/80	75/74	396/396	72/71	80/80	76/75	397/397	76/75	80/90	80/79	401/401
					24.0/32.0	66.7/77.0	101/113	110/125	92/103	392/392	106/117	110/125	97/108	396/396	107/119	110/125	98/109	397/397	112/123	125/125	102/113	401/401
					31.8/42.4	88.4/102.0	129/144	150/150	117/132	392/392	133/149	150/150	122/136	396/396	134/150	150/150	123/137	397/397	139/155	150/175	127/142	401/401
					37.6/50.0	104.2/120.3	148/137	150/150	135/153	392/392	152/141	175/175	140/157	396/396	154/143	175/175	141/158	397/397	158/147	175/175	145/163	401/401
					NONE	-	30	40	31	180	32	40	33	182	33	40	34	182	34	40	36	184
					13.9	16.7	30	40	31	180	32	40	33	182	33	40	34	182	34	40	36	184
					16.5	19.8	30	40	31	180	32	40	33	182	33	40	34	182	34	40	36	184
					33.0	39.7	55	60	50	180	57	60	52	182	58	60	53	182	60	60	55	184
41.7	50.2	68	70	62	180	67	70	64	182	71	80	65	182	73	80	67	184					
50.0	60.1	65	70	73	180	68	70	76	182	68	80	76	182	70	80	78	184					
50TC*D14	460-3-60	NONE	-	-	31	40	33	192	33	40	35	194	34	40	35	194	35	40	37	196		
					13.9	16.7	31	40	33	192	33	40	35	194	34	40	35	194	35	40	37	196
					16.5	19.8	31	40	33	192	34	40	35	194	34	40	35	194	36	40	37	196
					33.0	39.7	56	60	51	192	60	60	53	194	59	60	54	194	61	70	56	196
					41.7	50.2	69	70	63	192	72	80	65	194	72	80	66	194	74	80	68	196
					50.0	60.1	67	80	75	192	69	80	77	194	69	80	77	194	72	80	79	196
					NONE	-	33	40	34	192	35	40	36	194	35	40	37	194	37	45	39	201
					13.9	16.7	33	40	34	192	35	40	36	194	35	40	37	194	37	45	39	201
					16.5	19.8	33	40	34	192	35	40	36	194	35	40	37	194	38	45	39	201
					33.0	39.7	58	60	53	192	60	60	55	194	61	70	56	194	63	70	58	201
41.7	50.2	71	80	65	192	73	80	67	194	74	80	68	194	76	80	70	201					
50.0	60.1	69	80	76	192	71	80	79	194	71	80	79	194	74	80	81	201					
575-3-60	575-3-60	NONE	-	-	24	30	25	142	28	30	30	146	26	30	27	144	30	35	32	148		
					17.0	20.4	29	142	36	40	33	146	34	40	35	144	38	40	35	34	148	
					34.0	40.9	57	60	52	142	62	70	57	146	59	60	54	144	64	70	59	148
					51.0	61.3	67	80	76	142	72	80	80	146	74	80	78	144	74	80	82	148
					NONE	-	24	30	25	142	28	30	30	146	26	30	27	144	30	35	32	148
					17.0	20.4	29	35	29	142	36	40	33	146	34	40	35	144	38	40	35	148
					34.0	40.9	57	60	52	142	62	70	57	146	59	60	54	144	64	70	59	148
					51.0	61.3	67	80	76	142	72	80	80	146	74	80	78	144	74	80	82	148
					NONE	-	24	30	25	142	28	30	30	146	26	30	27	144	30	35	32	148
					17.0	20.4	32	35	29	142	36	40	33	146	34	40	35	144	38	40	35	148
34.0	40.9	57	60	52	142	62	70	57	146	59	60	54	144	64	70	59	148					
51.0	61.3	67	80	76	142	72	80	80	146	74	80	78	144	74	80	82	148					
HIGH	-	-	26	30	27	156	30	35	32	160	28	30	29	158	32	35	34	162				
			17.0	20.4	31	35	31	156	38	40	33	160	36	40	33	158	41	45	37	162		
			34.0	40.9	54	60	54	156	64	70	59	160	61	70	56	158	66	70	60	162		
			51.0	61.3	78	80	78	156	74	80	82	160	72	80	80	158	76	80	84	162		

**ELECTRICAL INFORMATION  
(UNITS PRODUCED ON OR AFTER JULY 30, 2012) cont.**

**Table 13 - UNIT WIRE/FUSE OR HACR BREAKER SIZING DATA WITH 2 SPEED INDOOR FAN MOTOR (cont.)**

UNIT	NO M. V-PH-HZ	IFM TYPE	ELEC. HTR				NO C.O. or UNPWR C.O.										NO P.E.										w/ PWRD C.O.			
			CRHEATER***A00	Nom (kW)	FLA	MCA	NO P.E.		NO C.O. or UNPWR C.O.		w/ P.E. (pwrd fr/unit)		NO P.E.		NO C.O. or UNPWR C.O.		w/ P.E. (pwrd fr/unit)		NO P.E.		NO C.O. or UNPWR C.O.		w/ PWRD C.O.							
							MAX FUSE or BRKR	DISC. SIZE FLA	DISC. SIZE LRA	MCA	MAX FUSE or BRKR	DISC. SIZE FLA	DISC. SIZE LRA	MCA	MAX FUSE or BRKR	DISC. SIZE FLA	DISC. SIZE LRA	MCA	MAX FUSE or BRKR	DISC. SIZE FLA	DISC. SIZE LRA	MCA	MAX FUSE or BRKR	DISC. SIZE FLA	DISC. SIZE LRA	MCA	MAX FUSE or BRKR	DISC. SIZE FLA	DISC. SIZE LRA	
50TC+D16		STD	NONE	-	-	70/69	80/80	73/72	393	74/73	80/80	77/76	397	75/74	90/80	78/77	398	78/78	100/100	82/82	402	402/402	81/80	100/100	85/84	426	426/426			
			291A	12.4/16.5	34.4/39.7	70/69	80/80	73/72	393/393	74/73	80/80	77/76	397/397	75/74	90/80	78/77	398/398	78/78	100/100	82/82	402/402	402/402	81/80	100/100	85/84	426/426	426/426			
			294A	25.2/33.5	69.9/80.6	99/111	100/125	90/102	393/393	103/116	110/125	95/106	397/397	105/117	110/125	96/107	398/398	109/122	110/125	100/112	100/112	402/402	402/402	112/124	125/125	103/114	426/426	426/426		
			288A+294A	32.7/43.5	90.7/104.7	125/141	125/150	114/129	393/393	129/146	150/150	119/134	397/397	131/147	150/150	120/135	398/398	135/152	150/175	124/139	124/139	402/402	402/402	138/154	150/175	142/160	426/426	426/426		
			291A+294A	37.6/50.0	104.3/120.3	142/131	150/150	130/147	393/393	146/135	150/150	134/152	397/397	148/137	150/150	135/153	398/398	152/141	175/150	140/157	140/157	402/402	402/402	155/144	175/200	142/160	426/426	426/426		
			294A+294A	50.3/67.0	139.7/161.2	151/171	175/200	171/194	393/393	156/176	175/200	175/199	397/397	157/177	175/200	176/200	398/398	162/182	175/200	180/204	180/204	402/402	402/402	164/185	175/200	183/207	426/426	426/426		
			NONE	-	-	72/71	80/80	75/74	417	76/75	100/90	79/78	421	77/76	421	77/76	100/100	81/79	422	81/80	100/100	85/84	426	426/426	81/80	100/100	85/84	426/426	426/426	
			291A	12.4/16.5	34.4/39.7	72/71	80/80	75/74	417/417	76/75	100/90	79/78	421/421	77/76	421/421	77/76	100/100	81/79	422/422	81/80	100/100	85/84	426	426/426	81/80	100/100	85/84	426/426	426/426	
			294A	25.2/33.5	69.9/80.6	101/113	110/125	93/104	417/417	106/118	110/125	97/108	421/421	107/119	110/125	98/109	422/422	112/124	125/125	103/114	103/114	426/426	426/426	112/124	125/125	103/114	426/426	426/426		
			288A+294A	32.7/43.5	90.7/104.7	127/144	150/150	117/132	417/417	132/148	150/150	121/136	421/421	133/150	150/150	122/137	422/422	138/154	150/175	127/142	127/142	426/426	426/426	138/154	150/175	142/160	426/426	426/426		
			291A+294A	37.6/50.0	104.3/120.3	144/133	150/150	132/150	417/417	149/138	150/150	137/154	421/421	150/139	150/150	138/155	422/422	155/144	175/175	142/160	142/160	426/426	426/426	155/144	175/175	142/160	426/426	426/426		
			294A+294A	50.3/67.0	139.7/161.2	154/174	175/200	173/197	417/417	158/179	175/200	177/201	421/421	160/180	175/200	179/202	422/422	164/185	175/200	183/207	183/207	426/426	426/426	164/185	175/200	183/207	426/426	426/426		
460-3-60		STD	NONE	-	-	35	45	36	233	37	45	38	235	37	45	38	235	37	45	38	237	39	45	38	235	40	237			
			292A	16.5	19.9	35	45	36	233	37	45	38	235	37	45	38	235	37	45	38	237	39	45	38	235	40	237			
			295A	33.5	40.3	56	60	51	233	58	60	53	235	58	60	53	235	58	60	53	237	41	60	53	235	55	237			
			289A+295A	43.5	52.3	71	80	65	233	73	73	67	235	73	80	67	235	76	80	69	69	237	76	80	67	235	69	237		
			292A+295A	50.0	60.2	65	70	74	233	68	68	76	235	68	80	76	235	70	80	78	78	237	78	80	76	235	78	237		
			295A+295A	67.0	80.6	86	90	97	233	88	88	99	235	89	90	99	235	91	100	102	102	237	91	100	102	102	102	237		
			NONE	-	-	36	45	37	245	38	38	39	247	38	247	38	50	40	247	40	50	42	249	40	50	42	249	249		
			292A	16.5	19.9	36	45	37	245	38	38	39	247	38	247	38	50	40	247	40	50	42	249	40	50	42	249	249		
			295A	33.5	40.3	57	60	52	245	59	60	54	247	60	247	60	60	55	247	62	70	57	249	62	70	57	249	249		
			289A+295A	43.5	52.3	72	80	66	245	74	74	68	247	75	247	75	80	68	247	77	80	70	249	77	80	70	249	249		
			292A+295A	50.0	60.2	67	80	75	245	69	69	77	247	70	247	70	80	77	247	72	80	79	249	72	80	79	249	249		
			295A+295A	67.0	80.6	87	100	98	245	89	89	100	247	90	247	90	100	101	247	92	100	103	249	92	100	103	249	249		
HIGH		NONE	-	-	41	50	43	252	43	50	45	254	43	50	46	254	45	50	48	256	45	50	48	256	256					
		292A	16.5	19.9	41	50	43	252	43	50	45	254	43	50	46	254	45	50	48	256	45	50	48	256	256					
		295A	33.5	40.3	64	70	58	252	66	70	60	254	66	70	61	254	69	70	63	256	69	70	63	256	256					
		289A+295A	43.5	52.3	79	80	72	252	81	81	74	254	81	254	81	90	74	254	84	90	76	256	84	90	76	256				
		292A+295A	50.0	60.2	73	80	81	252	76	76	83	254	76	254	76	80	83	254	78	80	86	256	78	80	86	256				
		295A+295A	67.0	80.6	94	100	104	252	96	96	106	254	97	254	97	100	107	254	99	100	109	256	99	100	109	256				

# ELECTRICAL INFORMATION

## (UNITS PRODUCED ON OR AFTER JULY 30, 2012) cont.

**Table 13 - UNIT WIRE/FUSE OR HACR BREAKER SIZING DATA WITH 2 SPEED INDOOR FAN MOTOR (cont.)**

UNIT	NO M.V.-Ph-HZ	ELEC. HTR				NO C.O. or UNPWR C.O.						NO PE.						w/ PWRD C.O.					
		IFM TYPE	CRHEATER**A00	Nom (kW)	FLA	MCA	MAX FUSE or HACR BRKR	DISC. SIZE		MCA	MAX FUSE or HACR BRKR	DISC. SIZE		MCA	MAX FUSE or HACR BRKR	DISC. SIZE		MCA	MAX FUSE or HACR BRKR	DISC. SIZE			
								FLA	LRA			FLA	LRA			FLA	LRA			FLA	LRA		
501C'D16		STD	NONE	-	-	35	30	184	32	40	34	188	30	35	32	186	34	40	36	190			
			293A	16.5	15.9	35	30	184	32	40	34	188	30	35	32	186	34	40	36	190			
			296A	33.5	32.2	50	42	184	51	60	47	188	48	50	44	186	53	60	49	190			
			290A+296A	43.5	41.8	60	53	184	63	70	58	188	60	60	55	186	65	70	60	190			
			299A+296A	50.0	48.1	60	60	184	59	60	65	188	56	60	62	186	61	70	67	190			
			296A+296A	67.0	64.4	80	79	184	75	80	84	188	73	80	81	186	77	80	86	190			
575-3-60		MED	NONE	-	-	35	30	184	32	40	34	188	30	35	32	186	34	40	36	190			
			293A	16.5	15.9	35	30	184	32	40	34	188	30	35	32	186	34	40	36	190			
			296A	33.5	32.2	50	42	184	51	60	47	188	48	50	44	186	53	60	49	190			
			290A+296A	43.5	41.8	60	53	184	63	70	58	188	60	60	55	186	65	70	60	190			
			299A+296A	50.0	48.1	60	60	184	59	60	65	188	56	60	62	186	61	70	67	190			
			296A+296A	67.0	64.4	80	79	184	75	80	84	188	73	80	81	186	77	80	86	190			
HIGH		HIGH	NONE	-	-	40	35	196	37	45	39	200	35	40	37	198	39	45	41	202			
			293A	16.5	15.9	40	35	196	37	45	39	200	35	40	37	198	39	45	41	202			
			296A	33.5	32.2	60	47	196	57	60	52	200	54	60	49	198	59	60	54	202			
			290A+296A	43.5	41.8	70	58	196	69	70	63	200	66	70	60	198	71	80	65	202			
			299A+296A	50.0	48.1	70	66	196	65	70	70	200	62	70	68	198	67	70	72	202			
			296A+296A	67.0	64.4	80	84	196	81	90	89	200	78	80	86	198	83	90	91	202			

Example: Supply voltage is 230-3-60



- Circuit breaker
- Convenience outlet
- Disconnect
- Full load amps
- Indoor fan motor
- Locked rotor amps
- Minimum circuit amps
- MAX FUSE or HACR Breaker
- Power exhaust
- Powered convenient outlet
- Unpowered convenient outlet

LEGEND:

- BRKR
- CO
- DISC
- FLA
- IFM
- LRA
- MCA
- MOCPP
- PE
- PWRD CO
- UNPWR CO

NOTES:

1. In compliance with NEC requirements for multimotor and combination load equipment (refer to NEC Articles 430 and 440), the overcurrent protective device for the unit shall be fuse or HACR breaker. Canadian units may be fuse or circuit breaker.
2. **Unbalanced 3-Phase Supply Voltage**  
Never operate a motor where a phase imbalance in supply voltage is greater than 2%. Use the following formula to determine the percentage of voltage imbalance.

$$\% \text{ Voltage Imbalance} = 100 \times \frac{\text{max voltage deviation from average voltage}}{\text{average voltage}}$$

$$\text{Average Voltage} = \frac{(224 + 231 + 226)}{3} = \frac{681}{3} = 227$$

Determine maximum deviation from average voltage.

$$(AB) 227 - 224 = 3 \text{ V}$$

$$(BC) 231 - 227 = 4 \text{ V}$$

$$(AC) 227 - 226 = 1 \text{ V}$$

Maximum deviation is 4 v.

Determine percent of voltage imbalance.

$$\% \text{ Voltage Imbalance} = 100 \times \frac{4}{227} = 1.76\%$$

This amount of phase imbalance is satisfactory as it is below the maximum allowable 2%.  
**IMPORTANT:** If the supply voltage phase imbalance is more than 2%, contact your local electric utility company immediately.

## ELECTRICAL DATA FOR UNITS PRODUCED PRIOR TO JULY 30, 2012

**NOTE:** Check the serial number of unit to verify production date.

To confirm the date of manufacture, locate the unit nameplate and check the first four digits of the Serial Number. If the number listed in the first 4 digits of the Serial Number is 3111 or lower, the unit was produced prior to July 30, 2012.

Position:	1	2	3	4	5	6	7	8	9	10
Example:	3	1	1	2	U	1	2	3	4	5

Week of manufacture (fiscal calendar)			Sequence number
Year of manufacture ("12" = 2012)		Manufacturing location	

C12562A

**ELECTRICAL INFORMATION**  
**(UNITS PRODUCED PRIOR TO JULY 30, 2012)**

**Table 14 – 50TC\*A04 1-STAGE COOLING WITH 1-SPEED INDOOR FAN MOTOR**

**3 TONS**

V-Ph-Hz	VOLTAGE RANGE		COMP (ea)		OFM (ea)		IFM		
	MIN	MAX	RLA	LRA	WATTS	FLA	TYPE	EFF at Full Load	FLA
208-1-60	187	253	16.6	79	325	1.5	STD	70%	4.9
							MED	70%	4.9
230-1-60	187	253	16.6	79	325	1.5	STD	70%	4.9
							MED	70%	4.9
208-3-60	187	253	10.4	73	325	1.5	STD	70%	4.9
							MED	70%	4.9
							HIGH	80%	5.2
230-3-60	187	253	10.4	73	325	1.5	STD	70%	4.9
							MED	70%	4.9
							HIGH	80%	5.2
460-3-60	414	506	5.8	38	325	0.8	STD	70%	2.1
							MED	70%	2.1
							HIGH	80%	2.6
575-3-60	518	633	3.8	37	325	0.6	STD	71%	1.9
							MED	71%	1.9
							HIGH	80%	2.0

**Table 14 (cont.) - 50TC\*A05 1-STAGE COOLING WITH 1-SPEED INDOOR FAN MOTOR**

**4 TONS**

V-Ph-Hz	VOLTAGE RANGE		COMP (ea)		OFM (ea)		IFM		
	MIN	MAX	RLA	LRA	WATTS	FLA	TYPE	EFF at Full Load	FLA
208-1-60	187	253	21.8	117	325	1.5	STD	70%	4.9
							MED	78%	7.0
230-1-60	187	253	21.8	117	325	1.5	STD	70%	4.9
							MED	78%	7.0
208-3-60	187	253	13.7	83	325	1.5	STD	70%	4.9
							MED	70%	4.9
							HIGH	80%	5.2
230-3-60	187	253	13.7	83	325	1.5	STD	70%	4.9
							MED	70%	4.9
							HIGH	80%	5.2
460-3-60	414	506	6.2	41	325	0.8	STD	70%	2.1
							MED	70%	2.1
							HIGH	80%	2.6
575-3-60	518	633	4.8	37	325	0.6	STD	71%	1.9
							MED	71%	2.1
							HIGH	80%	2.0

**Table 14 (cont.) - 50TC\*A06 1-STAGE COOLING WITH 1-SPEED INDOOR FAN MOTOR**

**5 TONS**

V-Ph-Hz	VOLTAGE RANGE		COMP (ea)		OFM (ea)		IFM		
	MIN	MAX	RLA	LRA	WATTS	FLA	TYPE	EFF at Full Load	FLA
208-1-60	187	253	26.2	134	325	1.5	STD	70%	4.9
							MED	78%	7.0
230-1-60	187	253	26.2	134	325	1.5	STD	70%	4.9
							MED	78%	7.0
208-3-60	187	253	15.6	110	325	1.5	STD	70%	4.9
							MED	80%	5.2
							HIGH	81%	7.5
230-3-60	187	253	15.6	110	325	1.5	STD	70%	4.9
							MED	80%	5.2
							HIGH	81%	7.5
460-3-60	414	506	7.7	52	325	0.8	STD	70%	2.1
							MED	80%	2.6
							HIGH	81%	3.4
575-3-60	518	633	5.8	39	325	0.6	STD	71%	1.9
							MED	81%	2.0
							HIGH	81%	2.8

**ELECTRICAL INFORMATION**  
**(UNITS PRODUCED PRIOR TO JULY 30, 2012) cont.**

**Table 14 (cont.) - 50TC\*A07 1-STAGE COOLING WITH 1-SPEED INDOOR FAN MOTOR**

**6 TONS**

V-Ph-Hz	VOLTAGE RANGE		COMP (ea)		OFM (ea)		IFM		
	MIN	MAX	RLA	LRA	WATTS	FLA	TYPE	EFF at Full Load	FLA
208-3-60	187	253	19.0	123	325	1.5	STD	80%	5.2
							MED	81%	7.5
							HIGH	81%	7.5
230-3-60	187	253	19.0	123	325	1.5	STD	80%	5.2
							MED	81%	7.5
							HIGH	81%	7.5
460-3-60	414	506	9.7	62	325	0.8	STD	80%	2.6
							MED	81%	3.4
							HIGH	81%	4.4
575-3-60	518	633	7.4	50	325	0.6	STD	80%	2.0
							MED	81%	2.8
							HIGH	81%	2.8

**Table 14 (cont.) - 50TC\*A08 1-STAGE COOLING WITH 1-SPEED INDOOR FAN MOTOR**

**7.5 TONS**

V-Ph-Hz	VOLTAGE RANGE		COMP (ea)		OFM (ea)		IFM		
	MIN	MAX	RLA	LRA	WATTS	FLA	TYPE	EFF at Full Load	FLA
208-3-60	187	253	25.0	164	325	1.5	STD	80%	5.2
							MED	81%	7.5
							HIGH	81%	15.0
230-3-60	187	253	25.0	164	325	1.5	STD	80%	5.2
							MED	81%	7.5
							HIGH	81%	15.0
460-3-60	414	506	12.2	100	325	0.8	STD	80%	2.6
							MED	81%	3.4
							HIGH	81%	7.4
575-3-60	518	633	9.0	78	325	0.6	STD	80%	2.4
							MED	81%	2.8
							HIGH	81%	5.6

**Table 14 (cont.) - 50TC\*D08 2-STAGE COOLING WITH 1-SPEED INDOOR FAN MOTOR**

**7.5 TONS**

V-Ph-Hz	VOLTAGE RANGE		COMP (Cir 1)		COMP (Cir 2)		OFM (ea)		IFM		
	MIN	MAX	RLA	LRA	RLA	LRA	WATTS	FLA	TYPE	EFF at Full Load	FLA
208-3-60	187	253	13.6	83	13.6	83	325	1.5	STD	80%	5.2
									MED	81%	7.5
									HIGH	81%	15.0
230-3-60	187	253	13.6	83	13.6	83	325	1.5	STD	80%	5.2
									MED	81%	7.5
									HIGH	81%	15.0
460-3-60	414	506	6.1	41	6.1	41	325	0.8	STD	80%	2.6
									MED	81%	3.4
									HIGH	81%	7.4
575-3-60	518	633	4.2	33	4.2	33	325	0.6	STD	80%	2.4
									MED	81%	2.8
									HIGH	81%	5.6



**ELECTRICAL INFORMATION**  
**(UNITS PRODUCED PRIOR TO JULY 30, 2012) cont.**

**Table 14 (cont.) - 50TC\*D08 2-STAGE COOLING WITH 2-SPEED INDOOR FAN MOTOR**

**7.5 TONS**

V-Ph-Hz	VOLTAGE RANGE		COMP 1		COMP 2		OFM (ea)		IFM		
	MIN	MAX	RLA	LRA	RLA	LRA	WATTS	FLA	TYPE	EFF at Full Load	FLA
208-3-60	187	253	13.6	83	13.6	83	325	1.5	STD	84%	5.8
							325	1.5	MED	85%	8.6
							325	1.5	HIGH	84%	13.6
230-3-60	187	253	13.6	83	13.6	83	325	1.5	STD	84%	5.6
							325	1.5	MED	85%	7.8
							325	1.5	HIGH	84%	12.7
460-3-60	414	506	6.1	41	6.1	41	325	0.8	STD	79%	2.9
							325	0.8	MED	85%	3.8
							325	0.8	HIGH	84%	6.4
575-3-60	518	633	4.2	33	4.2	33	325	0.6	STD	81%	2.8
							325	0.6	MED	84%	4.5
							325	0.6	HIGH	83%	6.2

**Table 14 (cont.) - 50TC\*A09 1-STAGE COOLING WITH 1-SPEED INDOOR FAN MOTOR**

**8.5 TONS**

V-Ph-Hz	VOLTAGE RANGE		COMP (ea)		OFM (ea)		IFM		
	MIN	MAX	RLA	LRA	WATTS	FLA	TYPE	EFF at Full Load	FLA
208-3-60	187	253	29.5	195	325	1.5	STD	80%	5.2
							MED	80%	5.2
							HIGH	80%	10.0
230-3-60	187	253	29.5	195	325	1.5	STD	80%	5.2
							MED	80%	5.2
							HIGH	80%	10.0
460-3-60	414	506	14.7	95	325	0.8	STD	80%	2.6
							MED	80%	2.6
							HIGH	80%	4.4
575-3-60	518	633	12.2	80	325	0.6	STD	80%	2.4
							MED	80%	2.0
							HIGH	81%	2.8

**Table 14 (cont.) - 50TC\*D09 2-STAGE COOLING WITH 1-SPEED INDOOR FAN MOTOR**

**8.5 TONS**

V-Ph-Hz	VOLTAGE RANGE		COMP (Cir 1)		COMP (Cir 2)		OFM (ea)		IFM		
	MIN	MAX	RLA	LRA	RLA	LRA	WATTS	FLA	TYPE	EFF at Full Load	FLA
208-3-60	187	253	14.5	98	13.7	83	325	1.5	STD	80%	5.2
									MED	80%	5.2
									HIGH	80%	10.0
230-3-60	187	253	14.5	98	13.7	83	325	1.5	STD	80%	5.2
									MED	80%	5.2
									HIGH	80%	10.0
460-3-60	414	506	6.3	55	6.2	41	325	0.8	STD	80%	2.6
									MED	80%	2.6
									HIGH	80%	4.4
575-3-60	518	633	6.0	41	4.8	33	325	0.6	STD	80%	2.4
									MED	80%	2.0
									HIGH	81%	2.8

**ELECTRICAL INFORMATION**  
**(UNITS PRODUCED PRIOR TO JULY 30, 2012) cont.**

**Table 14 (cont.) - 50TC\*D09 2-STAGE COOLING WITH 2-SPEED INDOOR FAN MOTOR**

**8.5 TONS**

V-Ph-Hz	VOLTAGE RANGE		COMP 1		COMP 2		OFM (ea)		IFM		
	MIN	MAX	RLA	LRA	RLA	LRA	WATTS	FLA	TYPE	EFF at Full Load	FLA
208-3-60	187	253	14.5	98	13.7	83	325	1.5	STD	84%	5.8
							325	1.5	MED	77%	7.1
							325	1.5	HIGH	82%	10.8
230-3-60	187	253	14.5	98	13.7	83	325	1.5	STD	84%	5.6
							325	1.5	MED	77%	6.8
							325	1.5	HIGH	82%	9.8
460-3-60	414	506	6.3	55	6.2	41	325	0.8	STD	79%	2.9
							325	0.8	MED	77%	3.8
							325	0.8	HIGH	82%	4.9
575-3-60	518	633	6.0	41	4.8	33	325	0.6	STD	81%	2.8
							325	0.6	MED	80%	3.5
							325	0.6	HIGH	84%	4.5

**Table 14 (cont.) - 50TC\*A12 1-STAGE COOLING WITH 1-SPEED INDOOR FAN MOTOR**

**10 TONS**

V-Ph-Hz	VOLTAGE RANGE		COMP (ea)		OFM (ea)		IFM		
	MIN	MAX	RLA	LRA	WATTS	FLA	TYPE	EFF at Full Load	FLA
208-3-60	187	253	30.1	225	325	1.5	STD	80%	5.2
							MED	81%	10.0
							HIGH	81%	15.0
230-3-60	187	253	30.1	225	325	1.5	STD	80%	5.2
							MED	81%	10.0
							HIGH	81%	15.0
460-3-60	414	506	16.7	114	325	0.8	STD	80%	2.6
							MED	81%	4.4
							HIGH	81%	7.4
575-3-60	518	633	12.2	80	325	0.6	STD	80%	2.0
							MED	81%	2.8
							HIGH	81%	5.6

**Table 14 (cont.) - 50TC\*D12 2-STAGE COOLING WITH 1-SPEED INDOOR FAN MOTOR**

**10 TONS**

V-Ph-Hz	VOLTAGE RANGE		COMP (Cir 1)		COMP (Cir 2)		OFM (ea)		IFM		
	MIN	MAX	RLA	LRA	RLA	LRA	WATTS	FLA	TYPE	EFF at Full Load	FLA
208-3-60	187	253	15.6	110	15.9	110	325	1.5	STD	80%	5.2
									MED	81%	10.0
									HIGH	81%	15.0
230-3-60	187	253	15.6	110	15.9	110	325	1.5	STD	80%	5.2
									MED	81%	10.0
									HIGH	81%	15.0
460-3-60	414	506	7.7	52	7.7	52	325	0.8	STD	80%	2.6
									MED	81%	4.4
									HIGH	81%	7.4
575-3-60	518	633	5.8	39	5.7	39	325	0.6	STD	80%	2.0
									MED	81%	2.8
									HIGH	81%	5.6

**ELECTRICAL INFORMATION  
(UNITS PRODUCED PRIOR TO JULY 30, 2012) cont.**

**Table 14 (cont.) - 50TC\*D12 2-STAGE COOLING WITH 2-SPEED INDOOR FAN MOTOR**

**10 TONS**

V-Ph-Hz	VOLTAGE RANGE		COMP 1		COMP 2		OFM (ea)		IFM		
	MIN	MAX	RLA	LRA	RLA	LRA	WATTS	FLA	TYPE	EFF at Full Load	FLA
208-3-60	187	253	15.6	110	15.9	110	325	1.5	STD	77%	7.1
							325	1.5	MED	82%	10.8
							325	1.5	HIGH	84%	13.6
230-3-60	187	253	15.6	110	15.9	110	325	1.5	STD	77%	6.8
							325	1.5	MED	82%	9.8
							325	1.5	HIGH	84%	12.7
460-3-60	414	506	7.7	52	7.7	52	325	0.8	STD	77%	3.8
							325	0.8	MED	82%	4.9
							325	0.8	HIGH	84%	6.4
575-3-60	518	633	5.8	39	5.7	39	325	0.6	STD	80%	3.5
							325	0.6	MED	84%	4.5
							325	0.6	HIGH	83%	6.2

**Table 14 (cont.) - 50TC\*D14 2-STAGE COOLING WITH 1-SPEED INDOOR FAN MOTOR**

**12.5 TONS**

V-Ph-Hz	VOLTAGE RANGE		COMP (Cir 1)		COMP (Cir 2)		OFM (ea)		IFM		
	MIN	MAX	RLA	LRA	RLA	LRA	WATTS	FLA	TYPE	EFF at Full Load	FLA
208-3-60	187	253	19.0	123	22.4	149	1288	6.2	STD	81%	7.5
									MED	81%	10.0
									HIGH	81%	15.0
230-3-60	187	253	19.0	123	22.4	149	1288	6.2	STD	81%	7.5
									MED	81%	10.0
									HIGH	81%	15.0
460-3-60	414	506	9.7	62	10.6	75	1288	3.1	STD	81%	3.4
									MED	81%	4.4
									HIGH	81%	7.4
575-3-60	518	633	7.4	50	7.7	54	1288	2.5	STD	81%	2.8
									MED	81%	2.8
									HIGH	81%	5.6

**Table 14 (cont.) - 50TC\*D14 2-STAGE COOLING WITH 2-SPEED INDOOR FAN MOTOR**

**12.5 TONS**

V-Ph-Hz	VOLTAGE RANGE		COMP 1		COMP 2		OFM (ea)		IFM		
	MIN	MAX	RLA	LRA	RLA	LRA	WATTS	FLA	TYPE	EFF at Full Load	FLA
208-3-60	187	253	19.0	123	22.4	149	1070	6.2	STD	85%	8.6
							1070	6.2	MED	82%	10.8
							1070	6.2	HIGH	84%	13.6
230-3-60	187	253	19.0	123	22.4	149	1070	6.2	STD	85%	7.8
							1070	6.2	MED	82%	9.8
							1070	6.2	HIGH	84%	12.7
460-3-60	414	506	9.7	62	10.6	75	1070	3.1	STD	85%	3.8
							1070	3.1	MED	82%	4.9
							1070	3.1	HIGH	84%	6.4
575-3-60	518	633	7.4	50	7.7	54	1070	2.5	STD	84%	4.5
							1070	2.5	MED	84%	4.5
							1070	2.5	HIGH	83%	6.2

**ELECTRICAL INFORMATION**  
**(UNITS PRODUCED PRIOR TO JULY 30, 2012) cont.**

**Table 14 (cont.) - 50TC\*D16 2-STAGE COOLING WITH 1-SPEED INDOOR FAN MOTOR**

**15 TONS**

V-Ph-Hz	VOLTAGE RANGE		COMP (Cir 1)		COMP (Cir 2)		OFM (ea)		IFM		
	MIN	MAX	RLA	LRA	RLA	LRA	WATTS	FLA	TYPE	EFF at Full Load	FLA
208-3-60	187	253	25.0	164	25.0	164	1288	1.5	STD	81%	7.5
									MED	81%	10.0
									HIGH	89.5%	20.4
230-3-60	187	253	25.0	164	25.0	164	1288	1.5	STD	81%	7.5
									MED	81%	10.0
									HIGH	89.5%	20.4
460-3-60	414	506	12.2	100	12.8	100	1288	0.8	STD	81%	3.4
									MED	81%	4.4
									HIGH	89.5%	10.2
575-3-60	518	633	9.8	78	9.6	78	1288	0.6	STD	81%	2.8
									MED	81%	2.8
									HIGH	89.5%	9.0

**Table 14 (cont.) - 50TC\*D16 2-STAGE COOLING WITH 2-SPEED INDOOR FAN MOTOR**

**15 TONS**

V-Ph-Hz	VOLTAGE RANGE		COMP 1		COMP 2		OFM (ea)		IFM		
	MIN	MAX	RLA	LRA	RLA	LRA	WATTS	FLA	TYPE	EFF at Full Load	FLA
208-3-60	187	253	25.0	164	25.0	164	280	1.5	STD	85%	8.6
							280	1.5	MED	82%	10.8
							280	1.5	HIGH	90%	20.4
230-3-60	187	253	25.0	164	25.0	164	280	1.5	STD	85%	7.8
							280	1.5	MED	82%	9.8
							280	1.5	HIGH	90%	20.4
460-3-60	414	506	12.2	100	12.8	100	280	0.8	STD	85%	3.8
							280	0.8	MED	82%	4.9
							280	0.8	HIGH	90%	10.2
575-3-60	518	633	9.8	78	9.6	78	280	0.6	STD	84%	4.5
							280	0.6	MED	84%	4.5
							280	0.6	HIGH	94%	9.0

# ELECTRICAL INFORMATION

## (UNITS PRODUCED PRIOR TO JULY 30, 2012) cont.

Table 15 – 50TC\*A04

### ELECTRIC HEAT - ELECTRICAL DATA 1-STAGE COOLING 1-SPEED INDOOR FAN MOTOR

NOM. V-PH-Hz.	IFM TYPE	ELECTRIC HEATER PART NUMBER CRHEATERXXXXXX	NOM PWR (kW)	APP PWR (kW)	SINGLE POINT KIT PART NUMBER CRSINGLEXXXXXX			
					NO C.O. or UNPWRD C.O.		w/PWRD C.O.	
					NO P.E.	w/P.E. (pwr fr/unit)	NO P.E.	w/P.E. (pwr fr/unit)
208/ 230-1-60	STD	101A00	4.4	3.3/4.0	-	-	-	-
		102A00	6.5	4.9/6.0	-	-	-	-
		103B00	8.7	6.5/8.0	037A00	037A00	037A00	037A00
		104B00	10.5	7.9/9.6	040A00	040A00	040A00	040A00
		102A00,102A00	13	9.8/11.9	040A00	040A00	040A00	040A00
	MED	101A00	4.4	3.3/4.0	-	-	-	-
		102A00	6.5	4.9/6.0	-	-	-	-
		103B00	8.7	6.5/8.0	037A00	037A00	037A00	037A00
		104B00	10.5	7.9/9.6	040A00	040A00	040A00	040A00
		102A00,102A00	13	9.8/11.9	040A00	040A00	040A00	040A00
208/ 230-3-60	STD	101A00	4.4	3.3/4.0	-	-	-	-
		102A00	6.5	4.9/6.0	-	-	-	-
		103B00	8.7	6.5/8.0	-	-	-	-
		104B00	10.5	7.9/9.6	-	-	-	-
		105A00	16	12.0/14.7	037A00	037A00	038A00	038A00
	MED	101A00	4.4	3.3/4.0	-	-	-	-
		102A00	6.5	4.9/6.0	-	-	-	-
		103B00	8.7	6.5/8.0	-	-	-	-
		104B00	10.5	7.9/9.6	-	-	-	-
		105A00	16	12.0/14.7	037A00	037A00	038A00	038A00
	HIGH	101A00	4.4	3.3/4.0	-	-	-	-
		102A00	6.5	4.9/6.0	-	-	-	-
		103B00	8.7	6.5/8.0	-	-	-	-
		104B00	10.5	7.9/9.6	-	-	-	-
		105A00	16	12.0/14.7	037A00	037A00	038A00	038A00
460-3-60	STD	106A00	6	5.5	-	-	-	-
		107A00	8.8	8.1	-	-	-	-
		108A00	11.5	10.6	-	-	-	-
		109A00	14	12.9	-	-	-	-
	MED	106A00	6	5.5	-	-	-	-
		107A00	8.8	8.1	-	-	-	-
		108A00	11.5	10.6	-	-	-	-
		109A00	14	12.9	-	-	-	-
	HIGH	106A00	6	5.5	-	-	-	-
		107A00	8.8	8.1	-	-	-	-
		108A00	11.5	10.6	-	-	-	-
		109A00	14	12.9	-	-	-	-

**LEGEND**

- APP PWR - 208 / 230V / 460V / 575V
- C.O. - Convenience outlet
- FLA - Full load amps
- IFM - Indoor fan motor
- NOM PWR - 240V / 480V / 600V
- P.E. - Power exhaust
- PWRD - Powered convenience outlet
- UNPWRD - Unpowered convenience outlet

# ELECTRICAL INFORMATION

## (UNITS PRODUCED PRIOR TO JULY 30, 2012) cont.

Table 15 (cont.) - 50TC\*A05

### ELECTRIC HEAT - ELECTRICAL DATA 1-STAGE COOLING 1-SPEED INDOOR FAN MOTOR

NOM. V-PH-Hz.	IFM TYPE	ELECTRIC HEATER PART NUMBER CRHEATERXXXXXX	NOM PWR (kW)	APP PWR (kW)	SINGLE POINT KIT PART NUMBER CRSINGLEXXXXXX			
					NO C.O. or UNPWRD C.O.		w/PWRD C.O.	
					NO P.E.	w/P.E. (pwrd fr/unit)	NO P.E.	w/P.E. (pwrd fr/unit)
208/ 230-1-60	STD	101A00	4.4	3.3/4.0	-	-	-	-
		103B00	8.7	6.5/8.0	037A00	037A00	037A00	037A00
		102A00,102A00	13	9.8/11.9	040A00	040A00	040A00	040A00
		103B00,103B00	17.4	13.1/16.0	040A00	040A00	040A00	040A00
		104B00,104B00	21	15.8/19.3	040A00	040A00	040A00	040A00
	MED	101A00	4.4	3.3/4.0	-	-	-	-
		103B00	8.7	6.5/8.0	037A00	037A00	037A00	037A00
		102A00,102A00	13	9.8/11.9	040A00	040A00	040A00	040A00
		103B00,103B00	17.4	13.1/16.0	040A00	040A00	040A00	040A00
		104B00,104B00	21	15.8/19.3	040A00	040A00	040A00	040A00
208/ 230-3-60	STD	102A00	6.5	4.9/6.0	-	-	-	-
		103B00	8.7	6.5/8.0	-	-	-	-
		105A00	16	12.0/14.7	037A00	037A00	038A00	038A00
		104B00,104B00	21	15.8/19.3	038A00	038A00	038A00	038A00
	MED	102A00	6.5	4.9/6.0	-	-	-	-
		103B00	8.7	6.5/8.0	-	-	-	-
		105A00	16	12.0/14.7	037A00	037A00	038A00	038A00
		104B00,104B00	21	15.8/19.3	038A00	038A00	038A00	038A00
	HIGH	102A00	6.5	4.9/6.0	-	-	-	-
		103B00	8.7	6.5/8.0	-	-	-	-
		105A00	16	12.0/14.7	037A00	037A00	038A00	038A00
		104B00,104B00	21	15.8/19.3	038A00	038A00	038A00	038A00
460-3-60	STD	106A00	6	5.5	-	-	-	-
		108A00	11.5	10.6	-	-	-	-
		109A00	14	12.9	-	-	-	-
		108A00,108A00	23	21.1	037A00	037A00	037A00	037A00
	MED	106A00	6	5.5	-	-	-	-
		108A00	11.5	10.6	-	-	-	-
		109A00	14	12.9	-	-	-	-
		108A00,108A00	23	21.1	037A00	037A00	037A00	037A00
	HIGH	106A00	6	5.5	-	-	-	-
		108A00	11.5	10.6	-	-	-	-
		109A00	14	12.9	-	-	-	-
		108A00,108A00	23	21.1	037A00	037A00	037A00	037A00

**LEGEND**

- APP PWR - 208 / 230V / 460V / 575V
- C.O. - Convenience outlet
- FLA - Full load amps
- IFM - Indoor fan motor
- NOM PWR - 240V / 480V / 600V
- P.E. - Power exhaust
- PWRD - Powered convenience outlet
- UNPWRD - Unpowered convenience outlet

# ELECTRICAL INFORMATION

## (UNITS PRODUCED PRIOR TO JULY 30, 2012) cont.

Table 15 (cont.) - 50TC\*A06

### ELECTRIC HEAT - ELECTRICAL DATA 1-STAGE COOLING 1-SPEED INDOOR FAN MOTOR

NOM. V-PH-Hz.	IFM TYPE	ELECTRIC HEATER PART NUMBER CRHEATERXXXXXX	NOM PWR (kW)	APP PWR (kW)	SINGLE POINT KIT PART NUMBER CRSINGLEXXXXXX			
					NO C.O. or UNPWRD C.O.		w/PWRD C.O.	
					NO PE.	w/PE. (pwrd fr/unit)	NO PE.	w/PE. (pwrd fr/unit)
208/ 230-1-60	STD	102A00	6.5	4.9/6.0	-	-	-	-
		103B00	8.7	6.5/8.0	037A00	037A00	037A00	037A00
		102A00,102A00	13	9.8/11.9	040A00	040A00	040A00	040A00
		103B00,103B00	17.4	13.1/16.0	040A00	040A00	040A00	040A00
		104B00,104B00	21	15.8/19.3	040A00	040A00	040A00	040A00
	MED	102A00	6.5	4.9/6.0	-	-	-	037A00
		103B00	8.7	6.5/8.0	037A00	037A00	040A00	040A00
		102A00,102A00	13	9.8/11.9	040A00	040A00	040A00	040A00
		103B00,103B00	17.4	13.1/16.0	040A00	040A00	040A00	040A00
		104B00,104B00	21	15.8/19.3	040A00	040A00	040A00	040A00
208/ 230-3-60	STD	102A00	6.5	4.9/6.0	-	-	-	-
		104B00	10.5	7.9/9.6	-	-	-	-
		105A00	16	12.0/14.7	037A00	037A00	038A00	038A00
		104B00,104B00	21	15.8/19.3	038A00	038A00	038A00	038A00
		104B00,105A00	26.5	19.9/24.3	038A00	038A00	038A00	038A00
	MED	102A00	6.5	4.9/6.0	-	-	-	-
		104B00	10.5	7.9/9.6	-	-	-	-
		105A00	16	12.0/14.7	037A00	037A00	038A00	038A00
		104B00,104B00	21	15.8/19.3	038A00	038A00	038A00	038A00
		104B00,105A00	26.5	19.9/24.3	038A00	038A00	038A00	038A00
	HIGH	102A00	6.5	4.9/6.0	-	-	-	-
		104B00	10.5	7.9/9.6	-	-	-	-
		105A00	16	12.0/14.7	037A00	037A00	038A00	038A00
		104B00,104B00	21	15.8/19.3	038A00	038A00	038A00	038A00
		104B00,105A00	26.5	19.9/24.3	038A00	038A00	038A00	038A00
460-3-60	STD	106A00	6	5.5	-	-	-	-
		108A00	11.5	10.6	-	-	-	-
		109A00	14	12.9	-	-	-	-
		108A00,108A00	23	21.1	037A00	037A00	037A00	037A00
		108A00,109A00	25.5	23.4	037A00	037A00	037A00	037A00
	MED	106A00	6	5.5	-	-	-	-
		108A00	11.5	10.6	-	-	-	-
		109A00	14	12.9	-	-	-	-
		108A00,108A00	23	21.1	037A00	037A00	037A00	037A00
		108A00,109A00	25.5	23.4	037A00	037A00	037A00	037A00
	HIGH	106A00	6	5.5	-	-	-	-
		108A00	11.5	10.6	-	-	-	-
		109A00	14	12.9	-	-	-	-
		108A00,108A00	23	21.1	037A00	037A00	037A00	037A00
		108A00,109A00	25.5	23.4	037A00	037A00	037A00	037A00

**LEGEND**

- APP PWR - 208 / 230V / 460V / 575V
- C.O. - Convenience outlet
- FLA - Full load amps
- IFM - Indoor fan motor
- NOM PWR - 240V / 480V / 600V
- PE. - Power exhaust
- PWRD - Powered convenience outlet
- UNPWRD - Unpowered convenience outlet

# ELECTRICAL INFORMATION

## (UNITS PRODUCED PRIOR TO JULY 30, 2012) cont.

Table 15 (cont.) - 50TC\*A07

### ELECTRIC HEAT - ELECTRICAL DATA 1-STAGE COOLING 1-SPEED INDOOR FAN MOTOR

NOM. V-PH-Hz.	IFM TYPE	ELECTRIC HEATER PART NUMBER CRHEATERXXXXXX	NOM PWR (kW)	APP PWR (kW)	SINGLE POINT KIT PART NUMBER CRSINGLEXXXXXX			
					NO C.O. or UNPWRD C.O.		w/PWRD C.O.	
					NO PE.	w/PE. (pwrd fr/unit)	NO PE.	w/PE. (pwrd fr/unit)
208/ 230-3-60	STD	102A00	6.5	4.9/6.0	-	-	-	-
		104B00	10.5	7.9/9.6	-	-	-	-
		105A00	16.0	12.0/14.7	037A00	037A00	038A00	038A00
		104B00,104B00	21.0	15.8/19.3	038A00	038A00	038A00	038A00
		104B00,105A00	26.5	19.9/24.3	038A00	038A00	038A00	038A00
	MED	102A00	6.5	4.9/6.0	-	-	-	-
		104B00	10.5	7.9/9.6	-	-	-	-
		105A00	16.0	12.0/14.7	037A00	037A00	038A00	038A00
		104B00,104B00	21.0	15.8/19.3	038A00	038A00	038A00	038A00
		104B00,105A00	26.5	19.9/24.3	038A00	038A00	038A00	038A00
	HIGH	102A00	6.5	4.9/6.0	-	-	-	-
		104B00	10.5	7.9/9.6	-	-	-	-
105A00		16.0	12.0/14.7	037A00	037A00	038A00	038A00	
104B00,104B00		21.0	15.8/19.3	038A00	038A00	038A00	038A00	
104B00,105A00		26.5	19.9/24.3	038A00	038A00	038A00	038A00	
460-3-60	STD	106A00	6.0	5.5	-	-	-	-
		108A00	11.5	10.6	-	-	-	-
		109A00	14.0	12.9	-	-	-	-
		108A00,108A00	23.0	21.1	037A00	037A00	037A00	037A00
		108A00,109A00	25.5	23.4	037A00	037A00	037A00	037A00
	MED	106A00	6.0	5.5	-	-	-	-
		108A00	11.5	10.6	-	-	-	-
		109A00	14.0	12.9	-	-	-	-
		108A00,108A00	23.0	21.1	037A00	037A00	037A00	037A00
		108A00,109A00	25.5	23.4	037A00	037A00	037A00	037A00
	HIGH	106A00	6.0	5.5	-	-	-	-
		108A00	11.5	10.6	-	-	-	-
		109A00	14.0	12.9	-	-	-	-
		108A00,108A00	23.0	21.1	037A00	037A00	037A00	037A00
		108A00,109A00	25.5	23.4	037A00	037A00	037A00	037A00

**LEGEND**

- APP PWR - 208 / 230V / 460V / 575V
- C.O. - Convenience outlet
- FLA - Full load amps
- IFM - Indoor fan motor
- NOM PWR - 240V / 480V / 600V
- PE. - Power exhaust
- PWRD - Powered convenience outlet
- UNPWRD - Unpowered convenience outlet



# ELECTRICAL INFORMATION

## (UNITS PRODUCED PRIOR TO JULY 30, 2012) cont.

Table 15 (cont.) - 50TC\*A08

### ELECTRIC HEAT - ELECTRICAL DATA 1-STAGE COOLING 1-SPEED INDOOR FAN MOTOR

NOM. V-PH-Hz.	IFM TYPE	ELECTRIC HEATER PART NUMBER CRHEATERXXXXXX	NOM PWR (kW)	APP PWR (kW)	SINGLE POINT KIT PART NUMBER CRSINGLEXXXXXX			
					NO C.O. or UNPWRD C.O.		w/PWRD C.O.	
					NO PE.	w/PE. (pwrd fr/unit)	NO PE.	w/PE. (pwrd fr/unit)
208/ 230-3-60	STD	117A00	10.4	7.8/9.6	042A00	042A00	042A00	042A00
		110A00	16.0	12.0/14.7	042A00	042A00	043A00	043A00
		111A00	24.8	18.6/22.8	043A00	043A00	043A00	043A00
		112A00	32.0	24.0/29.4	043A00	043A00	043A00	043A00
		112A00,117A00	42.4	31.8/38.9	045A00	045A00	045A00	045A00
	MED	117A00	10.4	7.8/9.6	042A00	042A00	042A00	042A00
		110A00	16.0	12.0/14.7	042A00	043A00	043A00	043A00
		111A00	24.8	18.6/22.8	043A00	043A00	043A00	043A00
		112A00	32.0	24.0/29.4	043A00	043A00	043A00	043A00
		112A00,117A00	42.4	31.8/38.9	045A00	045A00	045A00	045A00
	HIGH	117A00	10.4	7.8/9.6	042A00	042A00	043A00	043A00
		110A00	16.0	12.0/14.7	043A00	043A00	043A00	043A00
111A00		24.8	18.6/22.8	043A00	043A00	043A00	043A00	
112A00		32.0	24.0/29.4	043A00	043A00	043A00	043A00	
112A00,117A00		42.4	31.8/38.9	045A00	045A00	045A00	045A00	
460-3-60	STD	116A00	13.9	12.8	042A00	042A00	042A00	042A00
		113A00	16.5	15.2	042A00	042A00	042A00	042A00
		114A00	27.8	25.5	042A00	042A00	042A00	042A00
		115A00	33.0	30.3	042A00	042A00	042A00	042A00
		114A00,116A00	41.7	38.3	044A00	044A00	044A00	044A00
	MED	116A00	13.9	12.8	042A00	042A00	042A00	042A00
		113A00	16.5	15.2	042A00	042A00	042A00	042A00
		114A00	27.8	25.5	042A00	042A00	042A00	042A00
		115A00	33.0	30.3	042A00	042A00	042A00	042A00
		114A00,116A00	41.7	38.3	044A00	044A00	044A00	044A00
	HIGH	116A00	13.9	12.8	042A00	042A00	042A00	042A00
		113A00	16.5	15.2	042A00	042A00	042A00	042A00
114A00		27.8	25.5	042A00	042A00	042A00	042A00	
115A00		33.0	30.3	042A00	044A00	044A00	044A00	
114A00,116A00		41.7	38.3	044A00	044A00	044A00	044A00	
575-3-60	STD	118A00	17.0	17.0	042A00	042A00	042A00	042A00
		119A00	34.0	34.0	042A00	042A00	042A00	044A00
	MED	118A00	17.0	17.0	042A00	042A00	042A00	042A00
		119A00	34.0	34.0	042A00	042A00	042A00	044A00
	HIGH	118A00	17.0	17.0	042A00	042A00	042A00	042A00
		119A00	34.0	34.0	042A00	044A00	044A00	044A00

**LEGEND**

- APP PWR - 208 / 230V / 460V / 575V
- C.O. - Convenience outlet
- FLA - Full load amps
- IFM - Indoor fan motor
- NOM PWR - 240V / 480V / 600V
- P.E. - Power exhaust
- PWRD - Powered convenience outlet
- UNPWRD - Unpowered convenience outlet

# ELECTRICAL INFORMATION

## (UNITS PRODUCED PRIOR TO JULY 30, 2012) cont.

Table 15 (cont.) - 50TC\*D08

### ELECTRIC HEAT - ELECTRICAL DATA 2-STAGE COOLING 1-SPEED INDOOR FAN MOTOR

NOM. V-PH-Hz.	IFM TYPE	ELECTRIC HEATER PART NUMBER CRHEATERXXXXXX	NOM PWR (kW)	APP PWR (kW)	SINGLE POINT KIT PART NUMBER CRSINGLEXXXXXX			
					NO C.O. or UNPWRD C.O.		w/PWRD C.O.	
					NO PE.	w/PE. (pwrd fr/unit)	NO PE.	w/PE. (pwrd fr/unit)
208/ 230-3-60	STD	117A00	10.4	7.8/9.6	042A00	042A00	042A00	042A00
		110A00	16.0	12.0/14.7	042A00	042A00	043A00	043A00
		111A00	24.8	18.6/22.8	043A00	043A00	043A00	043A00
		112A00	32.0	24.0/29.4	043A00	043A00	043A00	043A00
		112A00,117A00	42.4	31.8/38.9	045A00	045A00	045A00	045A00
	MED	117A00	10.4	7.8/9.6	042A00	042A00	042A00	042A00
		110A00	16.0	12.0/14.7	042A00	043A00	043A00	043A00
		111A00	24.8	18.6/22.8	043A00	043A00	043A00	043A00
		112A00	32.0	24.0/29.4	043A00	043A00	043A00	043A00
		112A00,117A00	42.4	31.8/38.9	045A00	045A00	045A00	045A00
	HIGH	117A00	10.4	7.8/9.6	042A00	042A00	042A00	043A00
		110A00	16.0	12.0/14.7	043A00	043A00	043A00	043A00
111A00		24.8	18.6/22.8	043A00	043A00	043A00	043A00	
112A00		32.0	24.0/29.4	043A00	043A00	043A00	043A00	
112A00,117A00		42.4	31.8/38.9	045A00	045A00	045A00	045A00	
460-3-60	STD	116A00	13.9	12.8	042A00	042A00	042A00	042A00
		113A00	16.5	15.2	042A00	042A00	042A00	042A00
		114A00	27.8	25.5	042A00	042A00	042A00	042A00
		115A00	33.0	30.3	042A00	042A00	042A00	042A00
		114A00,116A00	41.7	38.3	044A00	044A00	044A00	044A00
	MED	116A00	13.9	12.8	042A00	042A00	042A00	042A00
		113A00	16.5	15.2	042A00	042A00	042A00	042A00
		114A00	27.8	25.5	042A00	042A00	042A00	042A00
		115A00	33.0	30.3	042A00	042A00	042A00	042A00
		114A00,116A00	41.7	38.3	044A00	044A00	044A00	044A00
	HIGH	116A00	13.9	12.8	042A00	042A00	042A00	042A00
		113A00	16.5	15.2	042A00	042A00	042A00	042A00
114A00		27.8	25.5	042A00	042A00	042A00	042A00	
115A00		33.0	30.3	042A00	044A00	044A00	044A00	
114A00,116A00		41.7	38.3	044A00	044A00	044A00	044A00	
575-3-60	STD	118A00	17.0	17.0	042A00	042A00	042A00	042A00
		119A00	34.0	34.0	042A00	042A00	042A00	044A00
	MED	118A00	17.0	17.0	042A00	042A00	042A00	042A00
		119A00	34.0	34.0	042A00	042A00	042A00	044A00
	HIGH	118A00	17.0	17.0	042A00	042A00	042A00	042A00
		119A00	34.0	34.0	042A00	044A00	044A00	044A00

**LEGEND**

- APP PWR - 208 / 230V / 460V / 575V
- C.O. - Convenience outlet
- FLA - Full load amps
- IFM - Indoor fan motor
- NOM PWR - 240V / 480V / 600V
- P.E. - Power exhaust
- PWRD - Powered convenience outlet
- UNPWRD - Unpowered convenience outlet

# ELECTRICAL INFORMATION

## (UNITS PRODUCED PRIOR TO JULY 30, 2012) cont.

Table 15 (cont.) - 50TC\*D08

### ELECTRIC HEAT - ELECTRICAL DATA 2-STAGE COOLING 2-SPEED INDOOR FAN MOTOR

NOM. V-PH-Hz.	IFM TYPE	ELECTRIC HEATER PART NUMBER CRHEATERXXXXXX	NOM PWR (kW)	APP PWR (kW)	SINGLE POINT KIT PART NUMBER CRSINGLEXXXXXX			
					NO C.O. or UNPWRD C.O.		w/PWRD C.O.	
					NO PE.	w/PE. (pwrd fr/unit)	NO PE.	w/PE. (pwrd fr/unit)
208/ 230-3-60	STD	117A00	10.4	7.8/9.6	042A00	042A00	042A00	042A00
		110A00	16.0	12.0/14.7	042A00	042A00	043A00	043A00
		111A00	24.8	18.6/22.8	043A00	043A00	043A00	043A00
		112A00	32.0	24.0/29.4	043A00	043A00	043A00	043A00
		112A00,117A00	42.4	31.8/38.9	045A00	045A00	045A00	045A00
	MED	117A00	10.4	7.8/9.6	042A00	042A00	042A00	042A00
		110A00	16.0	12.0/14.7	042A00	043A00	043A00	043A00
		111A00	24.8	18.6/22.8	043A00	043A00	043A00	043A00
		112A00	32.0	24.0/29.4	043A00	043A00	043A00	043A00
		112A00,117A00	42.4	31.8/38.9	045A00	045A00	045A00	045A00
	HIGH	117A00	10.4	7.8/9.6	042A00	042A00	042A00	042A00
		110A00	16.0	12.0/14.7	043A00	043A00	043A00	043A00
111A00		24.8	18.6/22.8	043A00	043A00	043A00	043A00	
112A00		32.0	24.0/29.4	043A00	043A00	043A00	043A00	
112A00,117A00		42.4	31.8/38.9	045A00	045A00	045A00	045A00	
460-3-60	STD	116A00	13.9	12.8	042A00	042A00	042A00	042A00
		113A00	16.5	15.2	042A00	042A00	042A00	042A00
		114A00	27.8	25.5	042A00	042A00	042A00	042A00
		115A00	33.0	30.3	042A00	042A00	042A00	042A00
		114A00,116A00	41.7	38.3	044A00	044A00	044A00	044A00
	MED	116A00	13.9	12.8	042A00	042A00	042A00	042A00
		113A00	16.5	15.2	042A00	042A00	042A00	042A00
		114A00	27.8	25.5	042A00	042A00	042A00	042A00
		115A00	33.0	30.3	042A00	042A00	042A00	042A00
		114A00,116A00	41.7	38.3	044A00	044A00	044A00	044A00
	HIGH	116A00	13.9	12.8	042A00	042A00	042A00	042A00
		113A00	16.5	15.2	042A00	042A00	042A00	042A00
114A00		27.8	25.5	042A00	042A00	042A00	042A00	
115A00		33.0	30.3	042A00	042A00	044A00	044A00	
114A00,116A00		41.7	38.3	044A00	044A00	044A00	044A00	
575-3-60	STD	118A00	17.0	17.0	042A00	042A00	042A00	042A00
		119A00	34.0	34.0	042A00	042A00	042A00	044A00
	MED	118A00	17.0	17.0	042A00	042A00	042A00	042A00
		119A00	34.0	34.0	042A00	044A00	042A00	044A00
	HIGH	118A00	17.0	17.0	042A00	042A00	042A00	042A00
		119A00	34.0	34.0	042A00	044A00	044A00	044A00

**LEGEND**

- APP PWR - 208 / 230V / 460V / 575V
- C.O. - Convenience outlet
- FLA - Full load amps
- IFM - Indoor fan motor
- NOM PWR - 240V / 480V / 600V
- P.E. - Power exhaust
- PWRD - Powered convenience outlet
- UNPWRD - Unpowered convenience outlet

# ELECTRICAL INFORMATION

## (UNITS PRODUCED PRIOR TO JULY 30, 2012) cont.

Table 15 (cont.) - 50TC\*A09

### ELECTRIC HEAT - ELECTRICAL DATA 1-STAGE COOLING 1-SPEED INDOOR FAN MOTOR

NOM. V-PH-Hz.	IFM TYPE	ELECTRIC HEATER PART NUMBER CRHEATERXXXXXX	NOM PWR (kW)	APP PWR (kW)	SINGLE POINT KIT PART NUMBER CRSINGLEXXXXXX			
					NO C.O. or UNPWRD C.O.		w/PWRD C.O.	
					NO PE.	w/PE. (pwrd fr/unit)	NO PE.	w/PE. (pwrd fr/unit)
208/ 230-3-60	STD	117A00	10.4	7.8/9.6	047A00	047A00	047A00	049A00
		110A00	16.0	12.0/14.7	047A00	047A00	049A00	049A00
		111A00	24.8	18.6/22.8	049A00	049A00	049A00	049A00
		112A00	32.0	24.0/29.4	049A00	049A00	049A00	049A00
		112A00,117A00	42.4	31.8/38.9	051A00	051A00	051A00	051A00
	MED	117A00	10.4	7.8/9.6	047A00	047A00	047A00	049A00
		110A00	16.0	12.0/14.7	047A00	047A00	049A00	049A00
		111A00	24.8	18.6/22.8	049A00	049A00	049A00	049A00
		112A00	32.0	24.0/29.4	049A00	049A00	049A00	049A00
		112A00,117A00	42.4	31.8/38.9	051A00	051A00	051A00	051A00
	HIGH	117A00	10.4	7.8/9.6	047A00	049A00	049A00	049A00
		110A00	16.0	12.0/14.7	049A00	049A00	049A00	049A00
111A00		24.8	18.6/22.8	049A00	049A00	049A00	049A00	
112A00		32.0	24.0/29.4	049A00	049A00	049A00	049A00	
112A00,117A00		42.4	31.8/38.9	051A00	051A00	051A00	051A00	
460-3-60	STD	116A00	13.9	12.8	047A00	047A00	047A00	047A00
		113A00	16.5	15.2	047A00	047A00	047A00	047A00
		114A00	27.8	25.5	047A00	047A00	047A00	047A00
		115A00	33.0	30.3	047A00	047A00	047A00	047A00
		114A00,116A00	41.7	38.3	050A00	050A00	050A00	050A00
	MED	116A00	13.9	12.8	047A00	047A00	047A00	047A00
		113A00	16.5	15.2	047A00	047A00	047A00	047A00
		114A00	27.8	25.5	047A00	047A00	047A00	047A00
		115A00	33.0	30.3	047A00	047A00	047A00	047A00
		114A00,116A00	41.7	38.3	050A00	050A00	050A00	050A00
	HIGH	116A00	13.9	12.8	047A00	047A00	047A00	047A00
		113A00	16.5	15.2	047A00	047A00	047A00	047A00
		114A00	27.8	25.5	047A00	047A00	047A00	047A00
		115A00	33.0	30.3	047A00	047A00	047A00	050A00
		114A00,116A00	41.7	38.3	050A00	050A00	050A00	050A00
575-3-60	STD	118A00	17.0	17.0	047A00	047A00	047A00	047A00
		119A00	34.0	34.0	047A00	047A00	047A00	050A00
	MED	118A00	17.0	17.0	047A00	047A00	047A00	047A00
		119A00	34.0	34.0	047A00	047A00	047A00	050A00
	HIGH	118A00	17.0	17.0	047A00	047A00	047A00	047A00
		119A00	34.0	34.0	047A00	047A00	047A00	050A00

**LEGEND**

- APP PWR - 208 / 230V / 460V / 575V
- C.O. - Convenience outlet
- FLA - Full load amps
- IFM - Indoor fan motor
- NOM PWR - 240V / 480V / 600V
- PE. - Power exhaust
- PWRD - Powered convenience outlet
- UNPWRD - Unpowered convenience outlet

# ELECTRICAL INFORMATION

## (UNITS PRODUCED PRIOR TO JULY 30, 2012) cont.

Table 15 (cont.) - 50TC\*D09

### ELECTRIC HEAT - ELECTRICAL DATA 2-STAGE COOLING 1-SPEED INDOOR FAN MOTOR

NOM. V-PH-Hz.	IFM TYPE	ELECTRIC HEATER PART NUMBER CRHEATERXXXXXX	NOM PWR (kW)	APP PWR (kW)	SINGLE POINT KIT PART NUMBER CRSINGLEXXXXXX			
					NO C.O. or UNPWRD C.O.		w/PWRD C.O.	
					NO PE.	w/PE. (pwrd fr/unit)	NO PE.	w/PE. (pwrd fr/unit)
208/ 230-3-60	STD	117A00	10.4	7.8/9.6	047	047	047	047
		110A00	16.0	12.0/14.7	047	047	049	049
		111A00	24.8	18.6/22.8	049	049	049	049
		112A00	32.0	24.0/29.4	049	049	049	049
		112A00,117A00	42.4	31.8/38.9	051	051	051	051
	MED	117A00	10.4	7.8/9.6	047	047	047	047
		110A00	16.0	12.0/14.7	047	047	049	049
		111A00	24.8	18.6/22.8	049	049	049	049
		112A00	32.0	24.0/29.4	049	049	049	049
	112A00,117A00	42.4	31.8/38.9	051	051	051	051	
	HIGH	117A00	10.4	7.8/9.6	047	047	047	047
		110A00	16.0	12.0/14.7	049	049	049	049
111A00		24.8	18.6/22.8	049	049	049	049	
112A00		32.0	24.0/29.4	049	049	049	049	
112A00,117A00		42.4	31.8/38.9	051	051	051	051	
460-3-60	STD	116A00	13.9	12.8	047	047	047	047
		113A00	16.5	15.2	047	047	047	047
		114A00	27.8	25.5	047	047	047	047
		115A00	33.0	30.3	047	047	047	047
		114A00,116A00	41.7	38.3	050	050	050	050
	MED	116A00	13.9	12.8	047	047	047	047
		113A00	16.5	15.2	047	047	047	047
		114A00	27.8	25.5	047	047	047	047
		115A00	33.0	30.3	047	047	047	047
	114A00,116A00	41.7	38.3	050	050	050	050	
	HIGH	116A00	13.9	12.8	047	047	047	047
		113A00	16.5	15.2	047	047	047	047
114A00		27.8	25.5	047	047	047	047	
115A00		33.0	30.3	047	047	047	050	
114A00,116A00		41.7	38.3	050	050	050	050	
575-3-60	STD	118A00	17.0	17.0	047	047	047	047
		119A00	34.0	34.0	047	047	047	050
	MED	118A00	17.0	17.0	047	047	047	047
		119A00	34.0	34.0	047	047	047	050
	HIGH	118A00	17.0	17.0	047	047	047	047
		119A00	34.0	34.0	047	047	047	050

**LEGEND**

- APP PWR - 208 / 230V / 460V / 575V
- C.O. - Convenience outlet
- FLA - Full load amps
- IFM - Indoor fan motor
- NOM PWR - 240V / 480V / 600V
- PE. - Power exhaust
- PWRD - Powered convenience outlet
- UNPWRD - Unpowered convenience outlet

# ELECTRICAL INFORMATION

## (UNITS PRODUCED PRIOR TO JULY 30, 2012) cont.

Table 15 (cont.) - 50TC\*D09

### ELECTRIC HEAT - ELECTRICAL DATA 2-STAGE COOLING 2-SPEED INDOOR FAN MOTOR

NOM. V-PH-Hz.	IFM TYPE	ELECTRIC HEATER PART NUMBER CRHEATERXXXXXX	NOM PWR (kW)	APP PWR (kW)	SINGLE POINT KIT PART NUMBER CRSINGLEXXXXXX			
					NO C.O. or UNPWRD C.O.		w/PWRD C.O.	
					NO P.E.	w/P.E. (pwrd fr/unit)	NO P.E.	w/P.E. (pwrd fr/unit)
208/ 203-3-60	STD	117A00	10.4	7.8/9.6	047A00	047A00	047A00	047A00
		110A00	16.0	12.0/14.7	047A00	047A00	049A00	049A00
		111A00	24.8	18.6/22.8	049A00	049A00	049A00	049A00
		112A00	32.0	24.0/29.4	049A00	049A00	049A00	049A00
		112A00,117A00	42.4	31.8/38.9	051A00	051A00	051A00	051A00
	MED	117A00	10.4	7.8/9.6	047A00	047A00	047A00	047A00
		110A00	16.0	12.0/14.7	047A00	049A00	049A00	049A00
		111A00	24.8	18.6/22.8	049A00	049A00	049A00	049A00
		112A00	32.0	24.0/29.4	049A00	049A00	049A00	049A00
		112A00,117A00	42.4	31.8/38.9	051A00	051A00	051A00	051A00
	HIGH	117A00	10.4	7.8/9.6	047A00	047A00	047A00	047A00
		110A00	16.0	12.0/14.7	049A00	049A00	049A00	049A00
111A00		24.8	18.6/22.8	049A00	049A00	049A00	049A00	
112A00		32.0	24.0/29.4	049A00	049A00	049A00	049A00	
112A00,117A00		42.4	31.8/38.9	051A00	051A00	051A00	051A00	
460-3-60	STD	116A00	13.9	12.8	047A00	047A00	047A00	047A00
		113A00	16.5	15.2	047A00	047A00	047A00	047A00
		114A00	27.8	25.5	047A00	047A00	047A00	047A00
		115A00	33.0	30.3	047A00	047A00	047A00	047A00
		114A00,116A00	41.7	38.3	050A00	050A00	050A00	050A00
	MED	116A00	13.9	12.8	047A00	047A00	047A00	047A00
		113A00	16.5	15.2	047A00	047A00	047A00	047A00
		114A00	27.8	25.5	047A00	047A00	047A00	047A00
		115A00	33.0	30.3	047A00	047A00	047A00	047A00
		114A00,116A00	41.7	38.3	050A00	050A00	050A00	050A00
	HIGH	116A00	13.9	12.8	047A00	047A00	047A00	047A00
		113A00	16.5	15.2	047A00	047A00	047A00	047A00
114A00		27.8	25.5	047A00	047A00	047A00	047A00	
115A00		33.0	30.3	047A00	047A00	047A00	050A00	
114A00,116A00		41.7	38.3	050A00	050A00	050A00	050A00	
575-3-60	STD	118A00	17.0	17.0	047A00	047A00	047A00	047A00
		119A00	34.0	34.0	047A00	047A00	047A00	050A00
	MED	118A00	17.0	17.0	047A00	047A00	047A00	047A00
		119A00	34.0	34.0	047A00	050A00	047A00	050A00
	HIGH	118A00	17.0	17.0	047A00	047A00	047A00	047A00
		119A00	34.0	34.0	047A00	050A00	047A00	050A00

**LEGEND**

- APP PWR - 208 / 230V / 460V / 575V
- C.O. - Convenience outlet
- FLA - Full load amps
- IFM - Indoor fan motor
- NOM PWR - 240V / 480V / 600V
- P.E. - Power exhaust
- PWRD - Powered convenience outlet
- UNPWRD - Unpowered convenience outlet

# ELECTRICAL INFORMATION

## (UNITS PRODUCED PRIOR TO JULY 30, 2012) cont.

Table 15 (cont.) - 50TC\*A12

### ELECTRIC HEAT - ELECTRICAL DATA 1-STAGE COOLING 1-SPEED INDOOR FAN MOTOR

NOM. V-PH-Hz.	IFM TYPE	ELECTRIC HEATER PART NUMBER CRHEATERXXXXXX	NOM PWR (kW)	APP PWR (kW)	SINGLE POINT KIT PART NUMBER CRSINGLEXXXXXX			
					NO C.O. or UNPWRD C.O.		w/PWRD C.O.	
					NO PE.	w/PE. (pwrd fr/unit)	NO PE.	w/PE. (pwrd fr/unit)
208/ 230-3-60	STD	117A00	10.4	7.8/9.6	047A00	047A00	047A00	049A00
		110A00	16.0	12.0/14.7	047A00	047A00	049A00	049A00
		112A00	32.0	24.0/29.4	049A00	049A00	049A00	049A00
		112A00,117A00	42.4	31.8/38.9	051A00	051A00	051A00	051A00
		112A00,110A00	50.0	37.6/45.9	051A00	051A00	051A00	051A00
	MED	117A00	10.4	7.8/9.6	047A00	049A00	049A00	049A00
		110A00	16.0	12.0/14.7	049A00	049A00	049A00	049A00
		112A00	32.0	24.0/29.4	049A00	049A00	049A00	049A00
		112A00,117A00	42.4	31.8/38.9	051A00	051A00	051A00	051A00
		112A00,110A00	50.0	37.6/45.9	051A00	051A00	051A00	051A00
	HIGH	117A00	10.4	7.8/9.6	049A00	049A00	049A00	049A00
		110A00	16.0	12.0/14.7	049A00	049A00	049A00	049A00
		112A00	32.0	24.0/29.4	049A00	049A00	049A00	049A00
		112A00,117A00	42.4	31.8/38.9	051A00	051A00	051A00	051A00
		112A00,110A00	50.0	37.6/45.9	051A00	051A00	051A00	051A00
460-3-60	STD	116A00	13.9	12.8	047A00	047A00	047A00	047A00
		113A00	16.5	15.2	047A00	047A00	047A00	047A00
		115A00	33.0	30.3	047A00	047A00	047A00	047A00
		114A00,116A00	41.7	38.3	050A00	050A00	050A00	050A00
		115A00,113A00	50.0	45.9	050A00	050A00	050A00	050A00
	MED	116A00	13.9	12.8	047A00	047A00	047A00	047A00
		113A00	16.5	15.2	047A00	047A00	047A00	047A00
		115A00	33.0	30.3	047A00	047A00	047A00	050A00
		114A00,116A00	41.7	38.3	050A00	050A00	050A00	050A00
		115A00,113A00	50.0	45.9	050A00	050A00	050A00	050A00
	HIGH	116A00	13.9	12.8	047A00	047A00	047A00	047A00
		113A00	16.5	15.2	047A00	047A00	047A00	047A00
		115A00	33.0	30.3	047A00	050A00	050A00	050A00
		114A00,116A00	41.7	38.3	050A00	050A00	050A00	050A00
		115A00,113A00	50.0	45.9	050A00	050A00	050A00	050A00
575-3-60	STD	118A00	17.0	17.0	047A00	047A00	047A00	047A00
		119A00	34.0	34.0	047A00	047A00	047A00	050A00
		118A00,119A00	51.0	51.0	050A00	050A00	050A00	050A00
	MED	118A00	17.0	17.0	047A00	047A00	047A00	047A00
		119A00	34.0	34.0	047A00	047A00	047A00	050A00
		118A00,119A00	51.0	51.0	050A00	050A00	050A00	050A00
	HIGH	118A00	17.0	17.0	047A00	047A00	047A00	047A00
		119A00	34.0	34.0	047A00	050A00	050A00	050A00
		118A00,119A00	51.0	51.0	050A00	050A00	050A00	050A00

**LEGEND**

- APP PWR - 208 / 230V / 460V / 575V
- C.O. - Convenience outlet
- FLA - Full load amps
- IFM - Indoor fan motor
- NOM PWR - 240V / 480V / 600V
- PE. - Power exhaust
- PWRD - Powered convenience outlet
- UNPWRD - Unpowered convenience outlet

# ELECTRICAL INFORMATION

## (UNITS PRODUCED PRIOR TO JULY 30, 2012) cont.

Table 15 (cont.) - 50TC\*D12

### ELECTRIC HEAT - ELECTRICAL DATA 2-STAGE COOLING 1-SPEED INDOOR FAN MOTOR

NOM. V-PH-Hz.	IFM TYPE	ELECTRIC HEATER PART NUMBER CRHEATERXXXXXX	NOM PWR (kW)	APP PWR (kW)	SINGLE POINT KIT PART NUMBER CRSINGLEXXXXXX			
					NO C.O. or UNPWRD C.O.		w/PWRD C.O.	
					NO PE.	w/PE. (pwrd fr/unit)	NO PE.	w/PE. (pwrd fr/unit)
208/ 230-3-60	STD	117A00	10.4	7.8/9.6	047A00	047A00	047A00	047A00
		110A00	16.0	12.0/14.7	047A00	047A00	049A00	049A00
		112A00	32.0	24.0/29.4	049A00	049A00	049A00	049A00
		112A00,117A00	42.4	31.8/38.9	051A00	051A00	051A00	051A00
		112A00,110A00	50.0	37.6/45.9	051A00	051A00	051A00	051A00
	MED	117A00	10.4	7.8/9.6	047A00	047A00	047A00	049A00
		110A00	16.0	12.0/14.7	049A00	049A00	049A00	049A00
		112A00	32.0	24.0/29.4	049A00	049A00	049A00	049A00
		112A00,117A00	42.4	31.8/38.9	051A00	051A00	051A00	051A00
		112A00,110A00	50.0	37.6/45.9	051A00	051A00	051A00	051A00
	HIGH	117A00	10.4	7.8/9.6	047A00	049A00	049A00	049A00
		110A00	16.0	12.0/14.7	049A00	049A00	049A00	049A00
		112A00	32.0	24.0/29.4	049A00	049A00	049A00	049A00
		112A00,117A00	42.4	31.8/38.9	051A00	051A00	051A00	051A00
		112A00,110A00	50.0	37.6/45.9	051A00	051A00	051A00	051A00
460-3-60	STD	116A00	13.9	12.8	047A00	047A00	047A00	047A00
		113A00	16.5	15.2	047A00	047A00	047A00	047A00
		115A00	33.0	30.3	047A00	047A00	047A00	047A00
		114A00,116A00	41.7	38.3	050A00	050A00	050A00	050A00
		115A00,113A00	50.0	45.9	050A00	050A00	050A00	050A00
	MED	116A00	13.9	12.8	047A00	047A00	047A00	047A00
		113A00	16.5	15.2	047A00	047A00	047A00	047A00
		115A00	33.0	30.3	047A00	047A00	047A00	050A00
		114A00,116A00	41.7	38.3	050A00	050A00	050A00	050A00
		115A00,113A00	50.0	45.9	050A00	050A00	050A00	050A00
	HIGH	116A00	13.9	12.8	047A00	047A00	047A00	047A00
		113A00	16.5	15.2	047A00	047A00	047A00	047A00
		115A00	33.0	30.3	047A00	050A00	050A00	050A00
		114A00,116A00	41.7	38.3	050A00	050A00	050A00	050A00
		115A00,113A00	50.0	45.9	050A00	050A00	050A00	050A00
575-3-60	STD	118A00	17.0	17.0	047A00	047A00	047A00	047A00
		119A00	34.0	34.0	047A00	047A00	047A00	050A00
		118A00,119A00	51.0	51.0	050A00	050A00	050A00	050A00
	MED	118A00	17.0	17.0	047A00	047A00	047A00	047A00
		119A00	34.0	34.0	047A00	047A00	047A00	050A00
		118A00,119A00	51.0	51.0	050A00	050A00	050A00	050A00
	HIGH	118A00	17.0	17.0	047A00	047A00	047A00	047A00
		119A00	34.0	34.0	047A00	050A00	050A00	050A00
		118A00,119A00	51.0	51.0	050A00	050A00	050A00	050A00

**LEGEND**

- APP PWR - 208 / 230V / 460V / 575V
- C.O. - Convenience outlet
- FLA - Full load amps
- IFM - Indoor fan motor
- NOM PWR - 240V / 480V / 600V
- PE. - Power exhaust
- PWRD - Powered convenience outlet
- UNPWRD - Unpowered convenience outlet



# ELECTRICAL INFORMATION

## (UNITS PRODUCED PRIOR TO JULY 30, 2012) cont.

Table 15 (cont.) - 50TC\*D12

### ELECTRIC HEAT - ELECTRICAL DATA 2-STAGE COOLING 2-SPEED INDOOR FAN MOTOR

NOM. V-PH-Hz.	IFM TYPE	ELECTRIC HEATER PART NUMBER CRHEATERXXXXXX	NOM PWR (kW)	APP PWR (kW)	SINGLE POINT KIT PART NUMBER CRSINGLEXXXXXX			
					NO C.O. or UNPWRD C.O.		w/PWRD C.O.	
					NO P.E.	w/P.E. (pwrd fr/unit)	NO P.E.	w/P.E. (pwrd fr/ unit)
208/ 230-3-60	STD	117A00	10.4	7.8/9.6	047A00	047A00	047A00	047A00
		110A00	16.0	12.0/14.7	047A00	049A00	049A00	049A00
		112A00	32.0	24.0/29.4	049A00	049A00	049A00	049A00
		112A00,117A00	42.4	31.8/38.9	051A00	051A00	051A00	051A00
		112A00,110A00	50.0	37.6/45.9	051A00	051A00	051A00	051A00
	MED	117A00	10.4	7.8/9.6	047A00	047A00	047A00	049A00
		110A00	16.0	12.0/14.7	049A00	049A00	049A00	049A00
		112A00	32.0	24.0/29.4	049A00	049A00	049A00	049A00
		112A00,117A00	42.4	31.8/38.9	051A00	051A00	051A00	051A00
		112A00,110A00	50.0	37.6/45.9	051A00	051A00	051A00	051A00
	HIGH	117A00	10.4	7.8/9.6	047A00	047A00	049A00	049A00
		110A00	16.0	12.0/14.7	049A00	049A00	049A00	049A00
		112A00	32.0	24.0/29.4	049A00	049A00	049A00	049A00
		112A00,117A00	42.4	31.8/38.9	051A00	051A00	051A00	051A00
		112A00,110A00	50.0	37.6/45.9	051A00	051A00	051A00	051A00
460-3-60	STD	116A00	13.9	12.8	047A00	047A00	047A00	047A00
		113A00	16.5	15.2	047A00	047A00	047A00	047A00
		115A00	33.0	30.3	047A00	047A00	047A00	047A00
		114A00,116A00	41.7	38.3	050A00	050A00	050A00	050A00
		115A00,113A00	50.0	45.9	050A00	050A00	050A00	050A00
	MED	116A00	13.9	12.8	047A00	047A00	047A00	047A00
		113A00	16.5	15.2	047A00	047A00	047A00	047A00
		115A00	33.0	30.3	047A00	047A00	047A00	050A00
		114A00,116A00	41.7	38.3	050A00	050A00	050A00	050A00
		115A00,113A00	50.0	45.9	050A00	050A00	050A00	050A00
	HIGH	116A00	13.9	12.8	047A00	047A00	047A00	047A00
		113A00	16.5	15.2	047A00	047A00	047A00	047A00
		115A00	33.0	30.3	047A00	047A00	050A00	050A00
		114A00,116A00	41.7	38.3	050A00	050A00	050A00	050A00
		115A00,113A00	50.0	45.9	050A00	050A00	050A00	050A00
575-3-60	STD	118A00	17.0	17.0	047A00	047A00	047A00	047A00
		119A00	34.0	34.0	047A00	050A00	047A00	050A00
		118A00,119A00	51.0	51.0	050A00	050A00	050A00	050A00
	MED	118A00	17.0	17.0	047A00	047A00	047A00	047A00
		119A00	34.0	34.0	047A00	050A00	047A00	050A00
		118A00,119A00	51.0	51.0	050A00	050A00	050A00	050A00
	HIGH	118A00	17.0	17.0	047A00	047A00	047A00	047A00
		119A00	34.0	34.0	047A00	050A00	050A00	050A00
		118A00,119A00	51.0	51.0	050A00	050A00	050A00	050A00

**LEGEND**

- APP PWR - 208 / 230V / 460V / 575V
- C.O. - Convenience outlet
- FLA - Full load amps
- IFM - Indoor fan motor
- NOM PWR - 240V / 480V / 600V
- P.E. - Power exhaust
- PWRD - Powered convenience outlet
- UNPWRD - Unpowered convenience outlet

# ELECTRICAL INFORMATION

## (UNITS PRODUCED PRIOR TO JULY 30, 2012) cont.

Table 15 (cont.) - 50TC\*D14

### ELECTRIC HEAT - ELECTRICAL DATA 2-STAGE COOLING 1-SPEED INDOOR FAN MOTOR

NOM. V-PH.HZ.	IFM TYPE	ELECTRIC HEATER PART NUMBER CRHEATERXXXXXX	NOM PWR (kW)	APP PWR (kW)	SINGLE POINT KIT PART NUMBER CRSINGLEXXXXXX			
					NO C.O. or UNPWRD C.O.		w/PWRD C.O.	
					NO PE.	w/PE. (pwrd fr/unit)	NO PE.	w/PE. (pwrd fr/unit)
208/ 230-3/60	STD	117A00	10.4	7.8/9.6	049A00	049A00	049A00	049A00
		110A00	16.0	12.0/14.7	049A00	049A00	049A00	049A00
		112A00	32.0	24.0/29.4	049A00	049A00	049A00	049A00
		112A00,117A00	42.4	31.8/38.9	051A00	051A00	051A00	051A00
		112A00,110A00	50.0	37.6/45.9	051A00	051A00	051A00	051A00
	MED	117A00	10.4	7.8/9.6	049A00	049A00	049A00	049A00
		110A00	16.0	12.0/14.7	049A00	049A00	049A00	049A00
		112A00	32.0	24.0/29.4	049A00	049A00	049A00	049A00
		112A00,117A00	42.4	31.8/38.9	051A00	051A00	051A00	051A00
		112A00,110A00	50.0	37.6/45.9	051A00	051A00	051A00	051A00
	HIGH	Std Unit Without Heat	-	-	-	-	-	049A00
		117A00	10.4	7.8/9.6	049A00	049A00	049A00	049A00
		110A00	16.0	12.0/14.7	049A00	049A00	049A00	049A00
		112A00	32.0	24.0/29.4	049A00	049A00	049A00	049A00
		112A00,117A00	42.4	31.8/38.9	051A00	051A00	051A00	051A00
		112A00,110A00	50.0	37.6/45.9	051A00	051A00	051A00	
460-3-60	STD	116A00	13.9	12.8	047A00	047A00	047A00	047A00
		113A00	16.5	15.2	047A00	047A00	047A00	047A00
		115A00	33.0	30.3	047A00	047A00	047A00	047A00
		114A00,116A00	41.7	38.3	050A00	050A00	050A00	050A00
		115A00,113A00	50.0	45.9	050A00	050A00	050A00	050A00
	MED	116A00	13.9	12.8	047A00	047A00	047A00	047A00
		113A00	16.5	15.2	047A00	047A00	047A00	047A00
		115A00	33.0	30.3	047A00	047A00	047A00	050A00
		114A00,116A00	41.7	38.3	050A00	050A00	050A00	050A00
		115A00,113A00	50.0	45.9	050A00	050A00	050A00	050A00
	HIGH	116A00	13.9	12.8	047A00	047A00	047A00	047A00
		113A00	16.5	15.2	047A00	047A00	047A00	047A00
		115A00	33.0	30.3	047A00	050A00	050A00	050A00
		114A00,116A00	41.7	38.3	050A00	050A00	050A00	050A00
		115A00,113A00	50.0	45.9	050A00	050A00	050A00	050A00
575-3-60	STD	118A00	17.0	17.0	047A00	047A00	047A00	047A00
		119A00	34.0	34.0	047A00	047A00	047A00	050A00
		118A00,119A00	51.0	51.0	050A00	050A00	050A00	050A00
	MED	118A00	17.0	17.0	047A00	047A00	047A00	047A00
		119A00	34.0	34.0	047A00	047A00	047A00	050A00
		118A00,119A00	51.0	51.0	050A00	050A00	050A00	050A00
	HIGH	118A00	17.0	17.0	047A00	047A00	047A00	047A00
		119A00	34.0	34.0	047A00	050A00	050A00	050A00
		118A00,119A00	51.0	51.0	050A00	050A00	050A00	050A00

**LEGEND**

- APP PWR - 208 / 230V / 460V / 575V
- C.O. - Convenience outlet
- FLA - Full load amps
- IFM - Indoor fan motor
- NOM PWR - 240V / 480V / 600V
- PE. - Power exhaust
- PWRD - Powered convenience outlet
- UNPWRD - Unpowered convenience outlet

# ELECTRICAL INFORMATION

## (UNITS PRODUCED PRIOR TO JULY 30, 2012) cont.

Table 15 (cont.) - 50TC\*D14

### ELECTRIC HEAT - ELECTRICAL DATA 2-STAGE COOLING 2-SPEED INDOOR FAN MOTOR

NOM. V-PH-Hz.	IFM TYPE	ELECTRIC HEATER PART NUMBER CRHEATERXXXXXX	NOM PWR (kW)	APP PWR (kW)	SINGLE POINT KIT PART NUMBER CRSINGLEXXXXXX			
					NO C.O. or UNPWRD C.O.		w/PWRD C.O.	
					NO P.E.	w/P.E. (pwrd fr/unit)	NO P.E.	w/P.E. (pwrd fr/ unit)
208/ 230-3-60	STD	117A00	10.4	7.8/9.6	049A00	049A00	049A00	049A00
		110A00	16.0	12.0/14.7	049A00	049A00	049A00	049A00
		112A00	32.0	24.0/29.4	049A00	049A00	049A00	049A00
		112A00,117A00	42.4	31.8/38.9	051A00	051A00	051A00	051A00
		112A00,110A00	50.0	37.6/45.9	051A00	051A00	051A00	051A00
	MED	117A00	10.4	7.8/9.6	049A00	049A00	049A00	049A00
		110A00	16.0	12.0/14.7	049A00	049A00	049A00	049A00
		112A00	32.0	24.0/29.4	049A00	049A00	049A00	049A00
		112A00,117A00	42.4	31.8/38.9	051A00	051A00	051A00	051A00
		112A00,110A00	50.0	37.6/45.9	051A00	051A00	051A00	051A00
		117A00	10.4	7.8/9.6	049A00	049A00	049A00	049A00
		110A00	16.0	12.0/14.7	049A00	049A00	049A00	049A00
		112A00	32.0	24.0/29.4	049A00	049A00	049A00	049A00
		112A00,117A00	42.4	31.8/38.9	051A00	051A00	051A00	051A00
		112A00,110A00	50.0	37.6/45.9	051A00	051A00	051A00	051A00
460-3-60	STD	116A00	13.9	12.8	047A00	047A00	047A00	047A00
		113A00	16.5	15.2	047A00	047A00	047A00	047A00
		115A00	33.0	30.3	047A00	047A00	047A00	047A00
		114A00,116A00	41.7	38.3	050A00	050A00	050A00	050A00
		115A00,113A00	50.0	45.9	050A00	050A00	050A00	050A00
	MED	116A00	13.9	12.8	047A00	047A00	047A00	047A00
		113A00	16.5	15.2	047A00	047A00	047A00	047A00
		115A00	33.0	30.3	047A00	047A00	047A00	050A00
		114A00,116A00	41.7	38.3	050A00	050A00	050A00	050A00
		115A00,113A00	50.0	45.9	050A00	050A00	050A00	050A00
	HIGH	116A00	13.9	12.8	047A00	047A00	047A00	047A00
		113A00	16.5	15.2	047A00	047A00	047A00	047A00
		115A00	33.0	30.3	047A00	047A00	050A00	050A00
		114A00,116A00	41.7	38.3	050A00	050A00	050A00	050A00
		115A00,113A00	50.0	45.9	050A00	050A00	050A00	050A00
575-3-60	STD	118A00	17.0	17.0	047A00	047A00	047A00	047A00
		119A00	34.0	34.0	047A00	050A00	047A00	050A00
		118A00,119A00	51.0	51.0	050A00	050A00	050A00	050A00
	MED	118A00	17.0	17.0	047A00	047A00	047A00	047A00
		119A00	34.0	34.0	047A00	050A00	047A00	050A00
		118A00,119A00	51.0	51.0	050A00	050A00	050A00	050A00
	HIGH	118A00	17.0	17.0	047A00	047A00	047A00	047A00
		119A00	34.0	34.0	047A00	050A00	050A00	050A00
		118A00,119A00	51.0	51.0	050A00	050A00	050A00	050A00

**LEGEND**

- APP PWR - 208 / 230V / 460V / 575V
- C.O. - Convenience outlet
- FLA - Full load amps
- IFM - Indoor fan motor
- NOM PWR - 240V / 480V / 600V
- P.E. - Power exhaust
- PWRD - Powered convenience outlet
- UNPWRD - Unpowered convenience outlet

# ELECTRICAL INFORMATION

## (UNITS PRODUCED PRIOR TO JULY 30, 2012) cont.

Table 15 (cont.) - 50TC\*D16

### ELECTRIC HEAT - ELECTRICAL DATA 2-STAGE COOLING 1-SPEED INDOOR FAN MOTOR

NOM. V-PH-Hz.	IFM TYPE	ELECTRIC HEATER PART NUMBER CRHEATERXXXXXX	NOM PWR (kW)	APP PWR (kW)	SINGLE POINT KIT PART NUMBER CRSINGLEXXXXXX			
					NO C.O. or UNPWRD C.O.		w/PWRD C.O.	
					NO P.E.	w/PE. (pwrd fr/unit)	NO P.E.	w/PE. (pwrd fr/unit)
208/ 230-3-60	STD	291A00	16.5	12.4/15.2	049A00	049A00	049A00	049A00
		294A00	33.5	25.2/30.8	049A00	049A00	049A00	049A00
		288A00,294A00	43.5	32.7/40.0	051A00	051A00	051A00	051A00
		291A00,294A00	50.0	37.6/45.9	051A00	051A00	051A00	051A00
		294A00,294A00	67.0	50.3/61.5	053A00	053A00	053A00	053A00
	MED	291A00	16.5	12.4/15.2	049A00	049A00	049A00	049A00
		294A00	33.5	25.2/30.8	049A00	049A00	049A00	049A00
		288A00,294A00	43.5	32.7/40.0	051A00	051A00	051A00	051A00
		291A00,294A00	50.0	37.6/45.9	051A00	051A00	051A00	051A00
		294A00,294A00	67.0	50.3/61.5	053A00	053A00	053A00	053A00
	HIGH	291A00	16.5	12.4/15.2	049A00	049A00	049A00	049A00
		294A00	33.5	25.2/30.8	049A00	049A00	049A00	049A00
288A00,294A00		43.5	32.7/40.0	051A00	051A00	051A00	051A00	
291A00,294A00		50.0	37.6/45.9	051A00	051A00	051A00	051A00	
294A00,294A00		67.0	50.3/61.5	053A00	053A00	053A00	053A00	
460-3-60	STD	292A00	16.5	15.2	-	-	-	-
		295A00	33.5	30.8	047A00	047A00	047A00	047A00
		289A00,295A00	43.5	40.0	050A00	050A00	050A00	050A00
		292A00,295A00	50.0	45.9	050A00	050A00	050A00	050A00
		295A00,295A00	67.0	61.5	050A00	050A00	050A00	050A00
	MED	292A00	16.5	15.2	-	-	-	-
		295A00	33.5	30.8	047A00	047A00	047A00	050A00
		289A00,295A00	43.5	40.0	050A00	050A00	050A00	050A00
		292A00,295A00	50.0	45.9	050A00	050A00	050A00	050A00
		295A00,295A00	67.0	61.5	050A00	050A00	050A00	050A00
	HIGH	292A00	16.5	15.2	-	-	-	-
		295A00	33.5	30.8	050A00	050A00	050A00	050A00
289A00,295A00		43.5	40.0	050A00	050A00	050A00	050A00	
292A00,295A00		50.0	45.9	050A00	050A00	050A00	050A00	
295A00,295A00		67.0	61.5	050A00	050A00	050A00	050A00	
575-3-60	STD	293A00	16.5	15.2	-	-	-	-
		296A00	33.5	30.8	047A00	047A00	047A00	047A00
		290A00,296A00	43.5	40.0	047A00	050A00	047A00	050A00
		293A00,296A00	50.0	45.9	047A00	047A00	047A00	047A00
		296A00,296A00	67.0	61.5	050A00	050A00	050A00	050A00
	MED	293A00	16.5	15.2	-	-	-	-
		296A00	33.5	30.8	047A00	047A00	047A00	047A00
		290A00,296A00	43.5	40.0	047A00	050A00	047A00	050A00
		293A00,296A00	50.0	45.9	047A00	047A00	047A00	047A00
		296A00,296A00	67.0	61.5	050A00	050A00	050A00	050A00
	HIGH	293A00	16.5	15.2	-	-	-	-
		296A00	33.5	30.8	047A00	047A00	047A00	047A00
290A00,296A00		43.5	40.0	050A00	050A00	050A00	050A00	
293A00,296A00		50.0	45.9	050A00	050A00	050A00	050A00	
296A00,296A00		67.0	61.5	050A00	050A00	050A00	050A00	

**LEGEND**

- APP PWR - 208 / 230V / 460V / 575V
- C.O. - Convenience outlet
- FLA - Full load amps
- IFM - Indoor fan motor
- NOM PWR - 240V / 480V / 600V
- P.E. - Power exhaust
- PWRD - Powered convenience outlet
- UNPWRD - Unpowered convenience outlet

# ELECTRICAL INFORMATION

## (UNITS PRODUCED PRIOR TO JULY 30, 2012) cont.

Table 15 (cont.) - 50TC\*D16

### ELECTRIC HEAT - ELECTRICAL DATA 2-STAGE COOLING 2-SPEED INDOOR FAN MOTOR

NOM. V-PH-Hz.	IFM TYPE	ELECTRIC HEATER PART NUMBER CRHEATERXXXXXX	NOM PWR (kW)	APP PWR (kW)	SINGLE POINT KIT PART NUMBER CRSINGLEXXXXXX			
					NO C.O. or UNPWRD C.O.		w/PWRD C.O.	
					NO P.E.	w/P.E. (pwrd fr/unit)	NO P.E.	w/P.E. (pwrd fr/unit)
208/ 230-3-60	STD	291A00	16.5	12.4/15.2	049A00	049A00	049A00	049A00
		294A00	33.5	25.2/30.8	049A00	049A00	049A00	049A00
		288A00,294A00	43.5	32.7/40.0	051A00	051A00	051A00	051A00
		291A00,294A00	50.0	37.6/45.9	051A00	051A00	051A00	051A00
		294A00,294A00	67.0	50.3/61.5	053A00	053A00	053A00	053A00
	MED	291A00	16.5	12.4/15.2	049A00	049A00	049A00	049A00
		294A00	33.5	25.2/30.8	049A00	049A00	049A00	049A00
		288A00,294A00	43.5	32.7/40.0	051A00	051A00	051A00	051A00
		291A00,294A00	50.0	37.6/45.9	051A00	051A00	051A00	051A00
		294A00,294A00	67.0	50.3/61.5	053A00	053A00	053A00	053A00
	HIGH	291A00	16.5	12.4/15.2	049A00	049A00	049A00	049A00
		294A00	33.5	25.2/30.8	049A00	049A00	049A00	049A00
288A00,294A00		43.5	32.7/40.0	051A00	051A00	051A00	051A00	
291A00,294A00		50.0	37.6/45.9	051A00	051A00	051A00	051A00	
294A00,294A00		67.0	50.3/61.5	053A00	053A00	053A00	053A00	
460-3-60	STD	292A00	16.5	15.2	-	-	-	-
		295A00	33.5	30.8	047A00	047A00	047A00	050A00
		289A00,295A00	43.5	40.0	050A00	050A00	050A00	050A00
		292A00,295A00	50.0	45.9	050A00	050A00	050A00	050A00
		295A00,295A00	67.0	61.5	050A00	050A00	050A00	050A00
	MED	292A00	16.5	15.2	-	-	-	-
		295A00	33.5	30.8	047A00	047A00	047A00	050A00
		289A00,295A00	43.5	40.0	050A00	050A00	050A00	050A00
		292A00,295A00	50.0	45.9	050A00	050A00	050A00	050A00
		295A00,295A00	67.0	61.5	050A00	050A00	050A00	050A00
	HIGH	292A00	16.5	15.2	-	-	-	-
		295A00	33.5	30.8	050A00	050A00	050A00	050A00
289A00,295A00		43.5	40.0	050A00	050A00	050A00	050A00	
292A00,295A00		50.0	45.9	050A00	050A00	050A00	050A00	
295A00,295A00		67.0	61.5	050A00	050A00	050A00	050A00	
575-3-60	STD	293A00	16.5	15.2	-	-	-	-
		296A00	33.5	30.8	047A00	047A00	047A00	047A00
		290A00,296A00	43.5	40.0	047A00	050A00	047A00	050A00
		293A00,296A00	50.0	45.9	047A00	047A00	047A00	050A00
		296A00,296A00	67.0	61.5	050A00	050A00	050A00	050A00
	MED	293A00	16.5	15.2	-	-	-	-
		296A00	33.5	30.8	047A00	047A00	047A00	047A00
		290A00,296A00	43.5	40.0	047A00	050A00	047A00	050A00
		293A00,296A00	50.0	45.9	047A00	047A00	047A00	050A00
		296A00,296A00	67.0	61.5	050A00	050A00	050A00	050A00
	HIGH	293A00	16.5	15.2	-	-	-	-
		296A00	33.5	30.8	047A00	047A00	047A00	047A00
290A00,296A00		43.5	40.0	050A00	050A00	050A00	050A00	
293A00,296A00		50.0	45.9	050A00	050A00	050A00	050A00	
296A00,296A00		67.0	61.5	050A00	050A00	050A00	050A00	

**LEGEND**  
APP PWR - 208 / 230V / 460V / 575V  
C.O. - Convenience outlet  
FLA - Full load amps  
IFM - Indoor fan motor  
NOM PWR - 240V / 480V / 600V  
P.E. - Power exhaust  
PWRD - Powered convenience outlet  
UNPWRD - Unpowered convenience outlet

**ELECTRICAL INFORMATION (UNITS PRODUCED PRIOR TO JULY 30, 2012) cont.**

**Table 16 – 50TC\*A04 UNIT WIRE/FUSE OR HACR BREAKER SIZING DATA SINGLE STAGE COOLING WITH SINGLE SPEED INDOOR FAN MOTOR**

NOM. V- PH-Hz.	ELECTRIC HEATER											NO C.O. or UNPWR C.O.											W/PWRD C.O.										
	IFM TYPE	Nom* (kW)	FLA	NO PE.			w/ PE. (pwrd fr/unit)			NO PE.			w/ PE. (pwrd fr/unit)			NO PE.			w/ PE. (pwrd fr/unit)														
				MCA	MAX FUSE or BRKR	DISC. SIZE	MCA	MAX FUSE or BRKR	DISC. SIZE	MCA	MAX FUSE or BRKR	DISC. SIZE	MCA	MAX FUSE or BRKR	DISC. SIZE	MCA	MAX FUSE or BRKR	DISC. SIZE	MCA	MAX FUSE or BRKR	DISC. SIZE												
			FLA	FLA	LRA	MCA	MAX FUSE or BRKR	FLA	LRA	DISC. SIZE	MCA	MAX FUSE or BRKR	FLA	LRA	DISC. SIZE	MCA	MAX FUSE or BRKR	FLA	LRA	DISC. SIZE	MCA	MAX FUSE or BRKR	FLA	LRA	DISC. SIZE								
208/ 230-1-60	STD	None	None	26	95	29.1	45	29	97	32	32	32.0/35.0	45	29	97	32	32	32	100	100	34.4/37.4	50	34	102	102								
		3.3/4.4	15.9/18.3	26/27	95/95	29/29	45/45	29/29	97/97	32/32	32	32.0/35.0	45/45	29/29	97/97	32/32	32	32.0/35.0	45/45	100/100	100/100	34.4/37.4	50/50	34/34	102/102	102/102							
		4.9/6.5	23.5/27.1	33/37	95/95	35/39	45/45	37.9/42.4	45/45	97/97	38/42	41.5/46.0	45/50	35/39	97/97	38/42	41.5/46.0	45/50	35/35	100/100	100/100	43.9/48.4	50/50	40/45	102/102	102/102							
		6.5/8.7	31.4/36.3	42/47	95/95	44/50	50/60	47.8/53.9	50/60	97/97	47/53	51.4/57.5	60/60	44/50	97/97	47/53	51.4/57.5	60/60	35/40	100/100	100/100	53.8/59.9	60/60	49/55	102/102	102/102							
		7.9/10.5	37.9/43.8	49/56	95/95	51/58	60/70	55.9/63.3	60/70	97/97	55/62	59.5/66.9	60/70	51/58	97/97	55/62	59.5/66.9	60/70	36/40	100/100	100/100	61.9/69.3	70/70	57/64	102/102	102/102							
		9.8/13.0	46.9/54.2	60/68	95/95	62/70	70/80	67.1/76.3	70/80	97/97	65/73	70.8/79.9	80/80	62/70	97/97	65/73	70.8/79.9	80/80	50/55	100/100	100/100	73.1/82.3	80/90	67/76	102/102	102/102							
	MED	None	None	19	89	22	30	22	91	24.2	24.2	24.2/25.4	30	22	91	24.2	24.2	24.2	94	94	26.1/27.8	30	27	96	96								
		3.3/4.4	15.9/18.3	19/19	89/89	22/22	30/30	22/22	91/91	24.2/25.4	24.2	24.2/25.4	30/30	22/22	91/91	24.2/25.4	24.2	24.2	94/94	94/94	26.1/27.8	30/30	27/27	96/96	96/96								
		4.9/6.5	23.5/27.1	21/24	89/89	23/26	30/30	23/26	91/91	29.1/31.6	29.1	29.1/31.6	30/30	23/26	91/91	29.1/31.6	29.1	29.1	94/94	94/94	31.5/34.0	35/35	29/31	96/96	96/96								
		6.5/8.7	31.4/36.3	26/30	89/89	29/32	35/35	31.1/34.6	35/35	97/97	34.8/38.3	34.8	34.8/38.3	35/40	29/32	91/91	34.8/38.3	34.8	34.8	94/94	94/94	37.1/40.6	40/45	34/37	96/96	96/96							
		7.9/10.5	37.9/43.8	31/35	89/89	33/37	40/45	39.5/43.8	40/45	97/97	39.5/43.8	39.5	39.5/43.8	40/45	33/37	91/91	39.5/43.8	39.5	39.5	94/94	94/94	41.9/46.1	45/50	39/42	96/96	96/96							
		9.8/13.0	46.9/54.2	44/50	89/89	46/52	60/60	53.9/60.3	60/60	97/97	53.9/60.3	53.9	53.9/60.3	60/70	46/52	91/91	53.9/60.3	53.9	53.9	94/94	94/94	56.3/62.6	60/70	52/58	96/96	96/96							
460-3-60	STD	None	None	10	46	11	15	11	47	12.4	12.4	12.4	15	11	47	12.4	12.4	48	48	13.4	15	14	49	49									
		6.0	7.2	11	46	12	15	14.4	12	47	14.4	14.4	15	12	47	14.4	14.4	48	48	15.6	20	14	49	49									
		8.8	10.6	15	46	16	20	17.1	16	47	18.6	18.6	20	16	47	18.6	18.6	48	48	19.9	20	18	49	49									
		11.5	13.8	18	46	19	25	21.1	19	47	22.6	22.6	25	19	47	22.6	22.6	48	48	23.9	25	22	49	49									
		14.0	16.8	22	46	23	25	24.9	23	47	26.4	26.4	30	23	47	26.4	26.4	48	48	27.6	30	25	49	49									
		None	None	10	46	11	15	11.7	11	47	12.4	12.4	12.4	15	11	47	12.4	12.4	48	48	13.4	15	14	49	49								
	MED	6.0	7.2	11	46	12	15	14.4	12	47	14.4	14.4	15	12	47	14.4	14.4	48	48	15.6	20	14	49	49									
		8.8	10.6	15	46	16	20	17.1	16	47	18.6	18.6	20	16	47	18.6	18.6	48	48	19.9	20	18	49	49									
		11.5	13.8	18	46	19	25	21.1	19	47	22.6	22.6	25	19	47	22.6	22.6	48	48	23.9	25	22	49	49									
		14.0	16.8	22	46	23	25	24.9	23	47	26.4	26.4	30	23	47	26.4	26.4	48	48	27.6	30	25	49	49									
		None	None	10	46	11	15	11.7	11	47	12.4	12.4	12.4	15	11	47	12.4	12.4	48	48	13.4	15	14	49	49								
		6.0	7.2	11	46	12	15	14.4	12	47	14.4	14.4	15	12	47	14.4	14.4	48	48	15.6	20	14	49	49									
HIGH	None	None	11	55	12	15	11.7	12	56	12.9	12.9	12.9	15	12	56	12.9	12.9	57	57	13.9	20	14	58	58									
	6.0	7.2	11	55	12	15	13.5	12	56	15.0	15.0	15.0	15	12	56	15.0	15.0	57	57	16.3	20	15	58	58									
	8.8	10.6	15	55	16	20	17.8	16	56	19.3	19.3	20	16	56	19.3	19.3	57	57	20.5	25	19	58	58										
	11.5	13.8	19	55	20	25	21.8	20	56	23.3	23.3	25	20	56	23.3	23.3	57	57	24.5	25	23	58	58										
	14.0	16.8	22	55	23	25	25.5	23	56	27.0	27.0	30	23	56	27.0	27.0	57	57	28.3	30	26	58	58										
	None	None	10	44	9	15	9.2	9	46	9	9	9	15	9	46	9	9	46	46	10.9	15	11	48	48									
575-3-60	None	None	7	44	7	15	7.3	7	44	7.3	7.3	7.3	15	7	44	7.3	7.3	9	9	10.9	15	11	48	48									
	6.0	7.2	11	44	7	15	7.4	7	44	7.4	7.4	7.4	15	7	44	7.4	7.4	9	9	11	15	12	48	48									
	8.8	10.6	15	44	7	15	9.3	7	44	9.3	9.3	9.3	15	7	44	9.3	9.3	9	9	11	15	12	48	48									

\* Nominal values, listed as 208/240V, 480V or 600V as appropriate.







**ELECTRICAL INFORMATION (UNITS PRODUCED PRIOR TO JULY 30, 2012) cont.**  
**Table 19 – 50TC\*A07 UNIT WIRE/FUSE OR HACR BREAKER SIZING DATA SINGLE STAGE COOLING WITH SINGLE SPEED INDOOR FAN MOTOR**

NOM. V-Ph-Hz.	ELECTRIC HEATER				NO C.O. or UNPWR C.O.				W/PWRD C.O.				
	IFM TYPE	Nom* (kW)	FLA	MCA	NO PE.		w/ P.E. (pwrdr fr/unit)		NO PE.		w/ P.E. (pwrdr fr/unit)		
					MAX FUSE or HACR BRKR	DISC. SIZE	MCA	MAX FUSE or HACR BRKR	DISC. SIZE	MCA	MAX FUSE or HACR BRKR	DISC. SIZE	
			FLA	LRA	FLA	LRA	FLA	LRA	FLA	LRA	FLA	LRA	
208/ 230-3-60	STD	None	None	30.5	30	157	32	159	35	162	37.2	37	164
		4.9/6.5	13.6/15.6	30.5/30.5	30/30	157/157	32/32	159/159	35/35	162/162	37.2/37.2	37/37	164/164
		7.9/10.5	21.9/25.3	33.9/38.1	31/35	157/157	33/37	159/159	37/41	162/162	42.3/46.5	39/43	164/164
		12.0/16.0	33.4/38.5	48.3/54.6	44/50	157/157	47/62	159/159	50/56	162/162	56.6/63.0	60/70	164/164
		15.8/21.0	43.8/50.5	61.3/69.6	56/64	157/157	59/66	159/159	62/70	162/162	69.6/78.0	70/80	164/164
		19.9/26.5	55.2/63.8	75.5/86.3	69/79	157/157	72/82	159/159	75/85	162/162	83.9/94.6	90/100	164/164
		None	None	32.8	32	183	34	185	38	188	39.5	40	190
		4.9/6.5	13.6/15.6	32.8/32.8	32/32	183/183	34/34	185/185	37.6/37.6	188/188	39.5/39.5	40/40	190/190
		7.9/10.5	21.9/25.3	36.8/41.0	34/38	183/183	36/40	185/185	42.8/47.0	188/188	45.1/49.4	42/45	190/190
		12.0/16.0	33.4/38.5	51.1/57.5	47/53	183/183	53.5/59.9	60/60	57.1/63.5	188/188	59.5/65.9	60/70	190/190
460-3-60	HIGH	None	None	32.8	32	183	34	185	38	188	39.5	40	190
		4.9/6.5	13.6/15.6	32.8/32.8	32/32	183/183	34/34	185/185	37.6/37.6	188/188	39.5/39.5	40/40	190/190
		7.9/10.5	21.9/25.3	36.8/41.0	34/38	183/183	36/40	185/185	42.8/47.0	188/188	45.1/49.4	42/45	190/190
		12.0/16.0	33.4/38.5	51.1/57.5	47/53	183/183	53.5/59.9	60/60	57.1/63.5	188/188	59.5/65.9	60/70	190/190
		15.8/21.0	43.8/50.5	64.1/72.5	59/67	183/183	66.5/74.9	70/80	70.1/78.5	188/188	72.5/80.9	80/90	190/190
		19.9/26.5	55.2/63.8	78.4/89.1	72/82	183/183	80.8/91.5	90/100	84.4/95.1	188/188	86.8/97.5	90/100	190/190
		None	None	15.5	15	79	16	80	17.7	81	18.7	19	82
		6.0	7.2	15.5	15	79	16	80	17.7	81	18.7	19	82
		11.5	13.8	20.5	19	79	20	80	23.3	81	24.5	23	82
		14.0	16.8	24.3	22	79	23	80	27.0	81	28.3	26	82
575-3-60	STD	23.0	27.7	37.9	40	35	36	40.6	45	37	41.9	45	39
		25.5	30.7	41.6	45	38	39	44.4	45	41	45.6	50	42
		None	None	16.3	16	92	17	93	18.5	19	19.5	20	95
		6.0	7.2	16.3	16	92	17	93	18.5	19	19.5	20	95
		11.5	13.8	21.5	20	92	21	93	24.3	22	25.5	23	95
		14.0	16.8	25.3	30	92	24	93	28.0	30	29.3	27	95
		23.0	27.7	38.9	40	92	37	93	41.6	45	42.9	39	95
		25.5	30.7	42.6	45	92	39	92	45.4	42	46.6	44	95
		None	None	17.3	17	101	18	102	19.5	20	20.5	21	104
		6.0	7.2	17.3	17	101	18	102	19.5	20	20.5	21	104
575-3-60	MED	11.5	13.8	22.8	25	21	22	25.5	23	25.5	23	25	104
		14.0	16.8	26.5	30	24	26	29.3	30	30.5	28	104	
		23.0	27.7	40.1	45	37	38	42.9	45	44.1	41	104	
		25.5	30.7	43.9	45	40	42	46.6	50	47.9	44	104	
		None	None	11.9	15	63	14	65	13.6	13	15.5	16	67
		None	None	12.7	20	74	15	76	14.4	20	16.3	17	78
		None	None	12.7	20	74	15	76	14.4	20	16.3	17	78

\* Nominal values, listed as 208/240V, 480V or 600V as appropriate.

**ELECTRICAL INFORMATION (UNITS PRODUCED PRIOR TO JULY 30, 2012) cont.**

**Table 20 – 50TC\*A08 UNIT WIRE/FUSE OR HACR BREAKER SIZING DATA SINGLE STAGE COOLING WITH SINGLE SPEED INDOOR FAN MOTOR**

NOM. V-PH-Hz.	IFM TYPE	ELECTRIC HEATER						NO C.O. or UNPWR C.O.						W/ PWRD C.O.							
		Nom* (kW)	FLA	NO PE.		w/ P.E. (pwrdr fr/unit)		MCA	MAX FUSE or HACR BRKR	DISC. SIZE		NO PE.		w/ P.E. (pwrdr fr/unit)		MCA	MAX FUSE or HACR BRKR	DISC. SIZE		LRA	
				FLA	LRA	FLA	LRA			FLA	LRA	FLA	LRA	FLA	LRA			DISC. SIZE	DISC. SIZE		
208/ 230-3-60	STD	None 7.8/10.4 12.0/16.0 18.6/24.8 24.0/32.0 31.8/42.4	None 21.7/25.0 33.4/38.5 51.7/59.7 66.7/77.0 88.4/102.0	38 38/38 44/50 66/75 89/95 108/123	191 191/191 191/191 191/191 191/191 191/191	43 43/43 49/55 70/79 87/99 112/128	195 195/195 195/195 195/195 195/195 195/195	44.3 44.3/44.3 54.3/60.6 77.1/87.1 95.9/108.8 123.0/140.0	60 60/60 60/60 80/90 100/110 125/150	60 60/60 60/60 80/90 100/125 125/150	43 43/43 49/55 70/79 87/99 112/128	195 195/195 195/195 195/195 195/195 195/195	44 44/44 50/56 71/80 88/100 113/129	196 196/196 196/196 196/196 196/196 196/196	48.1 48.1/48.5 59.0/65.4 81.9/91.9 100.6/113.5 127.8/144.8	60 60/60 60/60 80/90 100/125 150/150	60 60/60 60/60 80/90 100/125 150/150	44 44/44 50/56 71/80 88/100 113/129	196 196/196 196/196 196/196 196/196 196/196	48 48/48 54/60 75/85 93/104 118/133	200 200/200 200/200 200/200 200/200 200/200
460-3-60	HIGH	None 7.8/10.4 12.0/16.0 18.6/24.8 24.0/32.0 31.8/42.4	None 21.7/25.0 33.4/38.5 51.7/59.7 66.7/77.0 88.4/102.0	49 49/49 56/62 77/86 94/106 119/135	254 254/254 254/254 254/254 254/254 254/254	54 54/54 60/66 81/90 98/110 123/139	258 258/258 258/258 258/258 258/258 258/258	54.1 54.1/56.0 66.5/72.9 89.4/99.4 108.1/121.0 135.3/152.3	60 60/60 70/80 90/100 110/125 150/175	60 60/60 70/80 90/100 110/125 150/175	54 54/54 60/66 81/90 98/110 123/139	258 258/258 258/258 258/258 258/258 258/258	55 55/55 61/67 82/91 99/111 124/140	259 259/259 259/259 259/259 259/259 259/259	57.9 57.9/60.8 71.3/77.6 94.1/104.1 112.9/125.8 140.0/157.0	70 70/70 80/80 90/100 110/125 150/175	70 70/70 80/80 90/100 110/125 150/175	55 55/55 61/67 82/91 99/111 124/140	259 259/259 259/259 259/259 259/259 259/259	59 59/59 66/71 87/96 104/116 129/144	263 263/263 263/263 263/263 263/263 263/263
575-3-60	STD	None 13.9 16.5 27.8 33.0 41.7	None 16.7 19.8 33.4 39.7 50.2	19 19 22 26 41 49	113 113 113 113 113 113	115 115 115 115 115 115	115 115 115 115 115 115	21.7 21.7 26.9 30.8 47.8 55.6 68.8	30 30 35 50 60 70	30 30 35 50 60 70	21 21 24 28 43 51 63	115 115 115 115 115 115	21 21 25 28 44 51 63	115 115 115 115 115 115	23.5 23.5 29.1 33.0 50.0 57.9 71.0	30 30 35 50 60 80	30 30 35 50 60 80	21 21 25 28 44 51 63	115 115 115 115 115 115	23 23 27 30 46 53 65	117 117 117 117 117 117
460-3-60	MED	None 13.9 16.5 27.8 33.0 41.7	None 16.7 19.8 33.4 39.7 50.2	19 19 22 26 41 49	113 113 113 113 113 113	115 115 115 115 115 115	115 115 115 115 115 115	21.7 21.7 26.9 30.8 47.8 55.6 68.8	30 30 35 50 60 70	30 30 35 50 60 70	21 21 24 28 43 51 63	115 115 115 115 115 115	21 21 25 28 44 51 63	115 115 115 115 115 115	23.5 23.5 29.1 33.0 50.0 57.9 71.0	30 30 35 50 60 80	30 30 35 50 60 80	21 21 25 28 44 51 63	115 115 115 115 115 115	23 23 27 30 46 53 65	117 117 117 117 117 117
460-3-60	HIGH	None 13.9 16.5 27.8 33.0 41.7	None 16.7 19.8 33.4 39.7 50.2	19 19 22 26 41 49	113 113 113 113 113 113	115 115 115 115 115 115	115 115 115 115 115 115	21.7 21.7 26.9 30.8 47.8 55.6 68.8	30 30 35 50 60 70	30 30 35 50 60 70	21 21 24 28 43 51 63	115 115 115 115 115 115	21 21 25 28 44 51 63	115 115 115 115 115 115	23.5 23.5 29.1 33.0 50.0 57.9 71.0	30 30 35 50 60 80	30 30 35 50 60 80	21 21 25 28 44 51 63	115 115 115 115 115 115	23 23 27 30 46 53 65	117 117 117 117 117 117

\* Nominal values, listed as 208/240V, 480V or 600V as appropriate.

**ELECTRICAL INFORMATION (UNITS PRODUCED PRIOR TO JULY 30, 2012) cont.**  
**UNIT WIRE/FUSE OR HACR BREAKER SIZING DATA 2-STAGE COOLING WITH SINGLE SPEED INDOOR FAN MOTOR**

**Table 21 – 50TC\*D08**

NOM. V- $\Phi$ -Hz.	ELECTRIC HEATER										NO C.O. or UNPWR C.O.										W/PWR C.O.									
	IFM TYPE	Nom* (kW)	FLA	NO PE.			w/ P.E. (pwrd fr/unit)			NO PE.			w/ P.E. (pwrd fr/unit)			NO PE.			w/ P.E. (pwrd fr/unit)											
				MCA	MAX FUSE or HACR BRKR	DISC. SIZE FLA	DISC. SIZE LRA	MCA	MAX FUSE or HACR BRKR	DISC. SIZE FLA	DISC. SIZE LRA	MCA	MAX FUSE or HACR BRKR	DISC. SIZE FLA	DISC. SIZE LRA	MCA	MAX FUSE or HACR BRKR	DISC. SIZE FLA	DISC. SIZE LRA											
208/ 230-3-60	STD	7.8/10.4	-	21.7/25.0	41	193	42.6	50	45	197	43.6	50	46	198	47.4	60	51	202	60/60	51/51	202/202									
		12.0/16.0	38.8/38.8	41/41	193/193	42.6/42.6	50/50	45/45	197/197	43.6/43.8	50/50	46/46	198/198	47.4/48.5	60/60	51/51	202/202	60/60	51/51	202/202										
		18.6/24.8	48.3/54.6	44/50	193/193	53.0/59.4	60/60	49/55	197/197	54.3/60.6	60/70	50/56	198/198	59.0/65.4	60/70	54/60	202/202	60/70	54/60	202/202										
		24.0/32.0	71.1/81.1	66/75	193/193	75.9/85.9	80/90	70/79	197/197	77.1/87.1	80/90	71/80	198/198	81.9/91.9	90/100	75/85	202/202	90/100	75/85	202/202										
		31.8/42.4	89.9/102.8	83/95	193/193	94.6/107.5	100/110	87/99	197/197	95.9/108.8	100/110	88/100	198/198	100.6/113.5	110/125	93/104	202/202	110/125	93/104	202/202										
	MED	7.8/10.4	41.1	21.7/25.0	43	230	44.9	50	48	234	45.9	50	49	235	49.7	60	53	239	60/60	53/53	239/239									
		12.0/16.0	51.1/57.5	47/53	230/230	55.9/62.3	60/70	51/57	234/234	57.1/63.5	60/70	53/58	235/235	61.9/68.3	70/70	57/63	239/239	70/70	57/63	239/239										
		18.6/24.8	74.0/84.0	68/77	230/230	78.8/88.8	80/90	72/82	234/234	80.0/90.0	90/100	74/83	235/235	84.8/94.8	90/100	78/87	239/239	90/100	78/87	239/239										
		24.0/32.0	92.8/105.6	85/97	230/230	97.5/110.4	100/125	90/102	234/234	98.8/111.6	100/125	91/103	235/235	103.5/116.4	110/125	95/107	239/239	110/125	95/107	239/239										
		31.8/42.4	119.9/136.9	110/126	230/230	124.6/141.6	125/150	115/130	234/234	125.9/142.9	150/175	116/131	235/235	130.6/147.6	150/150	120/136	239/239	150/150	120/136	239/239										
460-3-60	STD	7.8/10.4	49.0	21.7/25.0	52	256	52.8	60	56	260	53.8	60	58	261	57.6	70	62	265	70/70	62/62	265/265									
		12.0/16.0	63.4/69.9	56/62	256/256	65.3/71.6	70/80	60/66	260/260	66.5/72.9	70/80	61/67	261/261	71.3/77.6	80/80	66/71	265/265	80/80	66/71	265/265										
		18.6/24.8	83.4/93.4	77/86	256/256	88.1/98.1	90/100	81/90	260/260	89.4/99.4	90/100	82/91	261/261	94.1/104.1	100/110	87/96	265/265	100/110	87/96	265/265										
		24.0/32.0	102.1/115.0	94/106	256/256	106.9/119.8	110/125	100/110	260/260	108.1/121.0	110/125	99/111	261/261	112.9/125.8	125/150	104/116	265/265	125/150	104/116	265/265										
		31.8/42.4	129.3/146.3	119/135	256/256	134.0/151.0	150/175	123/139	260/260	135.3/152.3	150/175	124/140	261/261	140.0/157.0	150/175	129/144	265/265	150/175	129/144	265/265										
	HIGH	13.9	17.9	16.7	19	95	19.7	25	21	97	20.1	25	21	97	21.9	25	23	99	30	27	99									
		16.5	24.1	19.8	22	95	26.4	30	24	97	26.9	30	25	97	28.1	30	27	99	30	27	99									
		27.8	28.0	33.4	26	95	30.3	35	28	97	30.8	35	28	97	33.0	35	30	99	30	30	99									
		33.0	45.0	39.7	41	95	47.3	50	43	97	47.8	50	44	97	50.0	60	46	99	60	46	99									
		41.7	52.9	50.2	49	95	55.1	60	51	97	55.6	60	51	97	57.9	60	53	99	60	53	99									
575-3-60	STD	7.8/10.4	18.7	21.7/25.0	20	114	20.5	25	116	20.9	25	22	116	22.7	25	24	118	25	24	118										
		12.0/16.0	24.1	19.8	22	114	27.4	30	25	116	27.9	30	26	116	30.1	35	28	118	35	28	118									
		18.6/24.8	29.0	33.4	27	114	31.3	35	29	116	31.8	35	29	116	34.0	35	31	118	35	31	118									
		24.0/32.0	46.0	39.7	42	114	48.3	50	44	116	48.8	50	45	116	51.0	60	47	118	60	47	118									
		31.8/42.4	53.9	39.7	50	114	56.1	60	52	116	56.6	60	52	116	58.9	60	54	118	60	54	118									
	MED	13.9	17.9	16.7	20	114	19.7	25	22	116	20.1	25	22	116	21.9	25	24	118	25	24	118									
		16.5	24.1	19.8	22	114	27.4	30	25	116	27.9	30	26	116	30.1	35	28	118	35	28	118									
		27.8	28.0	33.4	26	114	30.3	35	28	116	30.8	35	28	116	33.0	35	30	118	35	30	118									
		33.0	45.0	39.7	41	114	47.3	50	43	116	47.8	50	44	116	50.0	60	46	118	60	46	118									
		41.7	52.9	50.2	49	114	55.1	60	51	116	55.6	60	51	116	57.9	60	53	118	60	53	118									

\* Nominal values, listed as 208/240V, 460V or 600V as appropriate.

# ELECTRICAL INFORMATION (UNITS PRODUCED PRIOR TO JULY 30, 2012) cont.

**Table 22 – 50TC\*D08 UNIT WIRE/FUSE OR HACR BREAKER SIZING DATA 2-STAGE COOLING WITH 2 SPEED INDOOR FAN MOTOR**

NOM. V-PH-Hz.	ELECTRIC HEATER										w/ PWRD C.O.										
	IFM TYPE	Nom (kW)	FLA	NO PE.			w/ P.E. (pwrd fr/unit)			NO PE.			w/ P.E. (pwrd fr/unit)			NO PE.			w/ P.E. (pwrd fr/unit)		
				MAX FUSE or HACR BRKR	MCA	DISC. SIZE FLA LRA	MCA	DISC. SIZE FLA LRA	MCA	DISC. SIZE FLA LRA	MAX FUSE or HACR BRKR	MCA	DISC. SIZE FLA LRA	MAX FUSE or HACR BRKR	MCA	DISC. SIZE FLA LRA	MAX FUSE or HACR BRKR	MCA	DISC. SIZE FLA LRA	MAX FUSE or HACR BRKR	MCA
208/ 230-3-60	STD	-	-	-	39.4/39.2	50/50	41/41	197	43.2/43.0	50/50	46/46	201	44.2/44.0	50/50	47/47	202	48.0/47.8	60/60	51/51	206	206
		7.8/10.4	21.7/25.0	41/41	197/197	43.2/43.0	50/50	46/46	201/201	44.2/44.3	50/50	47/47	202/202	48.0/49.0	60/60	51/51	202/202	48.0/49.0	60/60	51/51	206/206
		12.0/16.0	33.4/38.5	45/51	197/197	53.8/59.9	60/60	49/55	201/201	55.0/61.1	60/70	51/56	202/202	59.8/65.9	60/70	55/61	202/202	59.8/65.9	60/70	55/61	206/206
		18.6/24.8	51.7/59.7	66/75	197/197	76.6/86.4	80/90	70/79	201/201	77.9/87.6	80/90	72/81	202/202	82.6/92.4	90/100	76/85	202/202	82.6/92.4	90/100	76/85	206/206
		24.0/32.0	66.7/77.0	83/95	197/197	95.4/108.0	100/110	88/99	201/201	96.6/109.3	100/110	89/101	202/202	101.4/114.0	110/125	93/105	202/202	101.4/114.0	110/125	93/105	206/206
	MED	31.8/42.4	88.4/102.0	108/124	197/197	125.1/139.3	125/150	113/128	201/201	123.8/140.5	125/150	114/129	202/202	128.5/145.3	150/150	118/134	206/206	128.5/145.3	150/150	118/134	206/206
		-	-	45/44	227	46.0/45.2	50/50	49/48	231	47.0/46.2	50/50	50/49	232	50.8/50.0	60/60	55/54	236	50.8/50.0	60/60	55/54	236
		7.8/10.4	21.7/25.0	45/44	227/227	46.0/45.8	50/50	49/48	231/231	47.0/47.0	50/50	50/49	232/232	50.8/51.8	60/60	55/54	236/236	50.8/51.8	60/60	55/54	236/236
		12.0/16.0	33.4/38.5	48/53	227/227	57.3/62.6	60/70	53/58	231/231	58.5/63.9	60/70	54/59	232/232	63.3/68.6	70/70	58/63	236/236	63.3/68.6	70/70	58/63	236/236
		18.6/24.8	51.7/59.7	69/78	227/227	80.1/89.1	90/90	74/82	231/231	81.4/90.4	90/100	75/83	232/232	86.1/95.1	90/100	79/88	236/236	86.1/95.1	90/100	79/88	236/236
460-3-60	HIGH	24.0/32.0	66.7/77.0	87/98	227/227	98.9/110.8	100/125	91/102	100.1/112.0	110/125	92/103	232/232	104.9/116.8	110/125	96/107	236/236	104.9/116.8	110/125	96/107	236/236	
		31.8/42.4	88.4/102.0	112/126	227/227	126.0/142.0	150/150	116/131	127.3/143.3	150/150	117/132	232/232	132.0/148.0	150/150	121/136	236/236	132.0/148.0	150/150	121/136	236/236	
		-	-	50/49	262	51.0/50.1	60/60	55/54	266	52.0/51.1	60/60	56/55	267	55.8/54.9	60/60	60/59	271	55.8/54.9	60/60	60/59	271
		7.8/10.4	21.7/25.0	50/49	262/262	51.0/51.9	60/60	55/54	266/266	52.0/53.1	60/60	56/55	267/267	55.8/57.9	60/60	60/59	271/271	55.8/57.9	60/60	60/59	271/271
		12.0/16.0	33.4/38.5	54/59	262/262	63.5/68.8	70/70	58/63	266/266	64.8/70.0	70/70	60/64	267/267	69.5/74.8	70/80	64/69	271/271	69.5/74.8	70/80	64/69	271/271
	STD	18.6/24.8	51.7/59.7	75/83	262/262	86.4/95.3	90/100	79/88	266/266	86.4/95.3	90/100	79/88	266/266	92.4/101.3	100/110	85/93	271/271	92.4/101.3	100/110	85/93	271/271
		24.0/32.0	66.7/77.0	92/103	262/262	105.1/116.9	110/125	97/108	266/266	106.4/118.1	110/125	98/109	267/267	111.1/122.9	125/125	102/113	271/271	111.1/122.9	125/125	102/113	271/271
		31.8/42.4	88.4/102.0	117/132	262/262	132.3/148.1	150/150	122/136	266/266	133.5/149.4	150/150	123/137	267/267	138.3/154.1	150/175	127/142	271/271	138.3/154.1	150/175	127/142	271/271
		-	-	19	97	20.0	25	21	99	20.4	25	22	99	22.2	25	24	101	22.2	25	24	101
		13.9	16.7	23	97	26.8	30	25	99	27.3	30	25	99	29.5	30	27	101	29.5	30	27	101
575-3-60	MED	16.5	19.8	26	97	30.6	35	99	31.1	35	28	99	33.4	35	31	101	33.4	35	31	101	
		27.8	33.4	42	97	47.6	50	44	99	48.1	50	44	99	50.4	60	46	101	50.4	60	46	101
		33.0	39.7	49	97	55.5	60	51	99	56.0	60	52	99	58.3	60	54	101	58.3	60	54	101
		41.7	50.2	61	97	68.6	70	63	99	69.1	70	64	99	71.4	80	66	101	71.4	80	66	101
		-	-	20	113	20.9	25	22	115	21.3	25	23	115	23.1	25	25	117	23.1	25	25	117
	STD	13.9	16.7	24	113	27.9	30	26	115	28.4	30	26	115	30.6	35	28	117	30.6	35	28	117
		16.5	19.8	27	113	31.8	35	29	115	32.3	35	30	115	34.5	35	32	117	34.5	35	32	117
		27.8	33.4	43	113	48.8	50	45	115	49.3	50	45	115	51.5	60	47	117	51.5	60	47	117
		33.0	39.7	50	113	56.6	60	52	115	57.1	60	53	115	59.4	60	55	117	59.4	60	55	117
		41.7	50.2	62	113	69.8	70	64	115	70.3	80	65	115	72.5	80	67	117	72.5	80	67	117
575-3-60	HIGH	-	-	23	130	23.6	30	25	132	24.0	30	26	132	25.8	30	28	134	25.8	30	28	134
		13.9	16.7	27	130	31.1	35	29	132	31.6	35	29	132	33.9	35	31	134	33.9	35	31	134
		16.5	19.8	30	130	35.0	40	32	132	35.5	40	33	132	37.8	40	35	134	37.8	40	35	134
		27.8	33.4	46	130	52.0	60	48	132	52.5	60	48	132	54.8	60	50	134	54.8	60	50	134
		33.0	39.7	53	130	59.9	60	55	132	60.4	70	56	132	62.6	70	58	134	62.6	70	58	134
	STD	41.7	50.2	65	130	73.0	80	67	132	73.5	80	68	132	75.8	80	70	134	75.8	80	70	134
		-	-	14	79	17.3	20	19	83	15.2	20	16	81	19.0	25	21	85	19.0	25	21	85
		17.0	20.4	27	79	33.8	35	31	83	31.1	35	29	81	35.9	40	33	85	35.9	40	33	85
		34.0	40.9	50	79	59.4	60	55	83	56.8	60	52	81	61.5	70	57	85	61.5	70	57	85
		-	-	16	92	19.0	25	21	96	16.9	25	18	94	20.7	25	23	98	20.7	25	23	98
MED	17.0	20.4	29	92	35.9	40	33	96	33.3	35	31	94	38.0	40	35	98	38.0	40	35	98	
	34.0	40.9	52	92	61.5	70	57	96	58.9	60	54	94	63.6	70	59	98	63.6	70	59	98	
	-	-	18	106	21.2	25	23	110	19.1	25	20	108	22.9	25	24	112	22.9	25	24	112	
	17.0	20.4	31	106	38.0	40	35	110	35.4	40	33	108	40.1	45	37	112	40.1	45	37	112	
	34.0	40.9	54	106	63.6	70	59	110	61.0	70	56	108	65.8	70	60	112	65.8	70	60	112	

\* Nominal values, listed as 208/240V, 480V or 600V as appropriate.

**ELECTRICAL INFORMATION (UNITS PRODUCED PRIOR TO JULY 30, 2012) cont.**

**Table 23 – 50TC\*A09 UNIT WIRE/FUSE OR HACR BREAKER SIZING DATA SINGLE STAGE COOLING WITH SINGLE SPEED INDOOR FAN MOTOR**

NOM. V-PH-Hz	IFM TYPE	ELECTRIC HEATER			NO C.O. or UNPWR C.O.						NO P.E.						W/PWR C.O.								
		Nom* (kW)	FLA	MCA	MAX FUSE OR BRKR	DISC. SIZE		MCA	MAX FUSE OR BRKR	MCA	DISC. SIZE		MCA	MAX FUSE OR BRKR	MCA	DISC. SIZE		MAX FUSE OR BRKR	MCA	DISC. SIZE					
						FLA	LRA				FLA	LRA				FLA	LRA			FLA	LRA	FLA	LRA		
208/ 230-3-60	STD	None	None	45.1	60	43	222	48.9	60	48	226	49.9	60	49	227	53.7	80	53	231	53	227	53.7	80	53	231
		7.8/10.4	21.7/25.0	45.1/45.1	60/60	43/43	222/222	48.9/48.9	60/60	48/48	226/226	49.9/49.9	60/60	49/49	227/227	53.7/53.7	80/80	53/53	231/231	53	227/227	53.7/53.7	80/80	53/53	231/231
		12.0/16.0	33.4/38.5	48.3/54.6	60/60	44/50	222/222	53.0/59.4	60/60	49/55	226/226	54.3/60.6	60/70	50/56	227/227	59.0/65.4	80/80	54/60	231/231	54	227/227	59.0/65.4	80/80	54/60	231/231
		18.6/24.8	51.7/59.7	71.1/81.1	80/90	65/75	222/222	75.9/85.9	80/90	70/79	226/226	77.1/87.1	80/90	71/80	227/227	81.9/91.9	90/100	75/85	231/231	75	227/227	81.9/91.9	90/100	75/85	231/231
		24.0/32.0	66.7/77.0	89.9/102.8	90/110	83/95	222/222	94.6/107.5	100/110	87/99	226/226	95.9/108.8	100/110	88/100	227/227	100.6/113.5	110/125	93/104	231/231	93	227/227	100.6/113.5	110/125	93/104	231/231
		31.8/42.4	88.4/102.0	117.0/134.0	125/150	108/123	222/222	121.8/138.8	125/150	112/128	226/226	123.0/140.0	125/150	113/129	227/227	127.8/144.8	150/150	118/133	231/231	118	227/227	127.8/144.8	150/150	118/133	231/231
	MED	None	None	45.1	60	43	233	48.9	60	48	237	49.9	60	49	238	53.7	80	53	242	53	238	53.7	80	53	242
		7.8/10.4	21.7/25.0	45.1/45.1	60/60	43/43	233/233	48.9/48.9	60/60	48/48	237/237	49.9/49.9	60/60	49/49	238/238	53.7/53.7	80/80	53/53	242/242	53	238/238	53.7/53.7	80/80	53/53	242/242
		12.0/16.0	33.4/38.5	48.3/54.6	60/60	44/50	233/233	53.0/59.4	60/60	49/55	237/237	54.3/60.6	60/70	50/56	238/238	59.0/65.4	80/80	54/60	242/242	54	238/238	59.0/65.4	80/80	54/60	242/242
		18.6/24.8	51.7/59.7	71.1/81.1	80/90	65/75	233/233	75.9/85.9	80/90	70/79	237/237	77.1/87.1	80/90	71/80	238/238	81.9/91.9	90/100	75/85	242/242	75	238/238	81.9/91.9	90/100	75/85	242/242
		24.0/32.0	66.7/77.0	89.9/102.8	90/110	83/95	233/233	94.6/107.5	100/110	87/99	237/237	95.9/108.8	100/110	88/100	238/238	100.6/113.5	110/125	93/104	242/242	93	238/238	100.6/113.5	110/125	93/104	242/242
		31.8/42.4	88.4/102.0	117.0/134.0	125/150	108/123	233/233	121.8/138.8	125/150	112/128	237/237	123.0/140.0	125/150	113/129	238/238	127.8/144.8	150/150	118/133	242/242	118	238/238	127.8/144.8	150/150	118/133	242/242
460-3-60	STD	None	None	22.6	30	22	108	26.4	30	24	110	26.9	30	24	110	28.1	40	26	112	26	110	28.1	40	26	112
		13.9	16.7	24.1	30	22	108	26.4	30	24	110	26.9	30	25	110	28.1	40	27	112	27	110	28.1	40	27	112
		16.5	19.8	28.0	30	26	108	30.3	35	28	110	30.8	35	28	110	33.0	40	30	112	30	110	33.0	40	30	112
		27.8	33.4	45.0	50	41	108	47.3	50	43	110	47.8	50	44	110	50.0	60	46	112	46	110	50.0	60	46	112
		33.0	39.7	52.9	60	49	108	55.1	60	51	110	55.6	60	51	110	57.9	70	53	112	53	110	57.9	70	53	112
		41.7	50.2	66.0	70	61	108	68.3	70	63	110	68.8	70	63	110	71.0	80	65	112	65	110	71.0	80	65	112
	MED	None	None	22.6	30	22	114	24.4	30	24	116	24.8	30	24	116	26.6	40	28	118	26	116	26.6	40	28	118
		13.9	16.7	24.1	30	22	114	26.4	30	24	116	26.9	30	25	116	29.1	40	29	118	27	116	29.1	40	29	118
		16.5	19.8	28.0	30	26	114	30.3	35	28	116	30.8	35	28	116	33.0	40	30	118	30	116	33.0	40	30	118
		27.8	33.4	45.0	50	41	114	47.3	50	43	116	47.8	50	44	116	50.0	60	46	118	46	116	50.0	60	46	118
		33.0	39.7	52.9	60	49	114	55.1	60	51	116	55.6	60	51	116	57.9	70	53	118	53	116	57.9	70	53	118
		41.7	50.2	66.0	70	61	114	68.3	70	63	116	68.8	70	63	116	71.0	80	65	118	65	116	71.0	80	65	118
575-3-60	STD	None	None	18.9	30	18	91	22.7	30	18	95	20.6	30	20	93	24.4	40	28	97	24	93	24.4	40	28	97
		17.0	20.4	28.5	30	26	91	33.3	35	31	95	30.6	35	28	93	35.4	40	33	97	33	93	35.4	40	33	97
		34.0	40.9	54.1	60	50	91	58.9	60	54	95	56.3	60	52	93	61.0	70	56	97	56	93	61.0	70	56	97
		None	None	18.5	30	18	95	22.3	30	18	99	20.2	30	20	97	24	30	24	101	24	97	24	30	24	101
		17.0	20.4	28.5	30	26	95	32.8	35	30	99	30.1	35	28	97	34.9	40	32	101	34	97	34.9	40	32	101
		34.0	40.9	53.6	60	49	95	58.4	60	54	99	55.8	60	51	97	60.5	70	56	101	60	97	60.5	70	56	101
	HIGH	None	None	19.3	30	19	106	23.1	30	19	110	21	30	21	108	24.8	40	25	112	21	108	24.8	40	25	112
		17.0	20.4	29.0	30	27	106	33.8	35	31	110	31.1	35	29	108	35.9	40	33	112	31	108	35.9	40	33	112
		34.0	40.9	54.6	60	50	106	59.4	60	55	110	56.8	60	52	108	61.5	70	57	112	56	108	61.5	70	57	112
		None	None	18.5	30	18	95	22.3	30	18	99	20.2	30	20	97	24	30	24	101	24	97	24	30	24	101
		17.0	20.4	28.5	30	26	95	32.8	35	30	99	30.1	35	28	97	34.9	40	32	101	34	97	34.9	40	32	101
		34.0	40.9	53.6	60	49	95	58.4	60	54	99	55.8	60	51	97	60.5	70	56	101	60	97	60.5	70	56	101

\* Nominal values, listed as 208/240V, 480V or 600V as appropriate.

# ELECTRICAL INFORMATION (UNITS PRODUCED PRIOR TO JULY 30, 2012) cont.

**Table 24 – 50TC\*D09 UNIT WIRE/FUSE OR HACR BREAKER SIZING DATA 2-STAGE COOLING WITH SINGLE SPEED INDOOR FAN MOTOR**

NOM. V-PH-Hz.	ELECTRIC HEATER				NO P.E.				NO P.E.				w/ PWRD C.O.					
	IFM TYPE	Nom* (kW)	FLA	MCA	MAX FUSE or HACR BRKR	DISC. SIZE		MCA	MAX FUSE or HACR BRKR	DISC. SIZE	MCA	MAX FUSE or HACR BRKR	DISC. SIZE		MCA	MAX FUSE or HACR BRKR	DISC. SIZE	
						FLA	LRA						FLA	LRA				FLA
208/ 230-3-60	STD	-	-	-	50	42	208	43.8	50	46	212	44.8	50	47	213	48.6	60	52
		7.8/10.4	21.7/25.0	40.0/40.0	50/50	42/42	208/208	43.8/43.8	50/50	46/46	212/212	44.8/44.8	50/50	47/47	213/213	48.6/48.6	60/60	52/52
		12.0/16.0	33.4/38.5	48.3/54.6	50/60	44/50	208/208	53.0/59.4	60/60	49/55	212/212	54.3/60.6	60/70	50/56	213/213	59.0/65.4	60/70	54/60
		18.6/24.8	51.7/59.7	71.1/81.1	80/90	65/75	208/208	75.9/85.9	80/90	70/79	212/212	77.1/87.1	80/90	71/80	213/213	81.9/91.9	90/100	75/85
		24.0/32.0	66.7/77.0	89.9/102.8	90/110	83/95	208/208	94.6/107.5	100/110	87/99	212/212	95.9/108.8	100/110	88/100	213/213	100.6/113.5	110/125	93/104
		31.8/42.4	88.4/102.0	117.0/134.0	125/150	108/123	208/208	121.8/138.8	125/150	112/128	212/212	123.0/140.0	125/150	113/129	213/213	127.8/144.8	150/150	118/133
	MED	-	-	-	50	42	219	43.8	50	46	223	44.8	50	47	224	48.6	60	52
		7.8/10.4	21.7/25.0	40.0/40.0	50/50	42/42	219/219	43.8/43.8	50/50	46/46	223/223	44.8/44.8	50/50	47/47	224/224	48.6/48.6	60/60	52/52
		12.0/16.0	33.4/38.5	48.3/54.6	50/60	44/50	219/219	53.0/59.4	60/60	49/55	223/223	54.3/60.6	60/70	50/56	224/224	59.0/65.4	60/70	54/60
		18.6/24.8	51.7/59.7	71.1/81.1	80/90	65/75	219/219	75.9/85.9	80/90	70/79	223/223	77.1/87.1	80/90	71/80	224/224	81.9/91.9	90/100	75/85
		24.0/32.0	66.7/77.0	89.9/102.8	90/110	83/95	219/219	94.6/107.5	100/110	87/99	223/223	95.9/108.8	100/110	88/100	224/224	100.6/113.5	110/125	93/104
		31.8/42.4	88.4/102.0	117.0/134.0	125/150	108/123	219/219	121.8/138.8	125/150	112/128	223/223	123.0/140.0	125/150	113/129	224/224	127.8/144.8	150/150	118/133
460-3-60	HIGH	-	-	-	50	47	262	48.6	60	52	266	49.6	60	53	267	53.4	60	57
		7.8/10.4	21.7/25.0	44.8/44.8	50/50	47/47	262/262	48.6/48.6	60/60	52/52	266/266	49.6/49.8	60/60	53/53	267/267	53.4/54.5	60/60	57/57
		12.0/16.0	33.4/38.5	54.3/60.6	60/70	50/56	262/262	59.0/65.4	60/70	54/60	266/266	60.3/66.6	70/70	55/61	267/267	65.0/71.4	70/80	60/66
		18.6/24.8	51.7/59.7	77.1/87.1	80/90	71/80	262/262	81.9/91.9	90/100	75/85	266/266	83.1/93.1	90/100	76/86	267/267	87.9/97.9	90/100	81/90
		24.0/32.0	66.7/77.0	95.9/108.8	100/110	88/100	262/262	100.6/113.5	110/125	93/104	266/266	101.9/114.8	110/125	94/106	267/267	106.6/119.5	110/125	98/110
		31.8/42.4	88.4/102.0	123.0/140.0	125/150	113/129	262/262	127.8/144.8	150/150	118/133	266/266	129.0/146.0	150/150	119/134	267/267	133.8/150.8	150/175	123/139
	STD	-	-	-	20	19	109	20.1	25	21	111	20.5	25	22	111	22.3	25	24
		13.9	16.7	24.1	25	22	109	26.4	30	24	111	26.9	30	25	111	28.1	30	27
		16.5	19.8	28.0	30	26	109	30.3	35	28	111	30.8	35	28	111	33.0	35	30
		27.8	33.4	45.0	50	41	109	47.3	50	43	111	47.8	50	44	111	50.0	60	46
		33.0	39.7	52.9	60	49	109	55.1	60	51	111	55.6	60	51	111	57.9	60	53
		41.7	50.2	66.0	70	61	109	68.3	70	63	111	68.8	70	63	111	71.0	80	65
575-3-60	MED	-	-	-	20	19	115	20.1	25	117	20.5	25	22	117	22.3	25	24	
		13.9	16.7	24.1	25	22	115	26.4	30	24	117	26.9	30	25	117	29.1	30	27
		16.5	19.8	28.0	30	26	115	30.3	35	28	117	30.8	35	28	117	33.0	35	30
		27.8	33.4	45.0	50	41	115	47.3	50	43	117	47.8	50	44	117	50.0	60	46
		33.0	39.7	52.9	60	49	115	55.1	60	51	117	55.6	60	51	117	57.9	60	53
		41.7	50.2	66.0	70	61	115	68.3	70	63	117	68.8	70	63	117	71.0	80	65
	STD	-	-	-	25	23	137	21.9	25	23	139	22.3	25	24	139	24.1	30	26
		13.9	16.7	24.1	30	24	137	26.6	30	26	139	29.1	30	27	139	31.4	35	29
		16.5	19.8	30.3	35	28	137	32.5	35	30	139	33.0	35	30	139	35.3	40	32
		27.8	33.4	47.3	50	43	137	49.5	50	46	139	50.0	60	46	139	52.3	60	48
		33.0	39.7	55.1	60	51	137	57.4	60	53	139	57.9	60	53	139	60.1	70	55
		41.7	50.2	68.3	70	63	137	70.5	80	65	139	71.0	80	65	139	73.3	80	67
575-3-60	MED	-	-	-	20	17	85	15.9	25	21	89	17.6	20	19	87	21.4	25	23
		17.0	20.4	28.5	30	26	85	19.7	35	31	89	30.6	35	28	87	35.4	40	33
		34.0	40.9	54.1	60	50	85	58.9	60	54	89	56.3	60	52	87	61.0	70	56
		-	-	-	20	16	89	19.3	25	20	93	17.2	20	18	91	21.0	25	22
		17.0	20.4	28.0	30	26	89	32.8	35	30	93	30.1	35	28	91	34.9	35	32
		34.0	40.9	53.6	60	49	89	58.4	60	54	93	55.8	60	51	91	60.5	70	56
	HIGH	-	-	-	20	17	100	16.3	25	21	104	18.0	20	19	102	21.8	25	23
		17.0	20.4	29.0	30	27	100	33.8	35	31	104	31.1	35	29	102	35.9	40	33
		34.0	40.9	54.6	60	50	100	59.4	60	55	104	56.8	60	52	102	61.5	70	57

\* Nominal values, listed as 208/240V, 480V or 600V as appropriate.

# ELECTRICAL INFORMATION (UNITS PRODUCED PRIOR TO JULY 30, 2012) cont.

### Table 25 – 50TC\*D09 UNIT WIRE/FUSE OR HACR BREAKER SIZING DATA 2-STAGE COOLING WITH 2 SPEED INDOOR FAN MOTOR

NOM V- PH-Hz.	IFM TYPE	Nom (kW)	ELECTRIC HEATER		NO C.O. or UNPWR C.O.						w/ PWRD C.O.								
			FLA	MCA	NO PE.			w/ P.E. (pwrdd fr/unit)			NO PE.			w/ P.E. (pwrdd fr/unit)					
					MAX FUSE OR HACR BRKR	DISC. SIZE	DISC. SIZE	MCA	MAX FUSE OR HACR BRKR	DISC. SIZE	DISC. SIZE	MCA	MAX FUSE OR HACR BRKR	DISC. SIZE	DISC. SIZE	MCA	MAX FUSE OR HACR BRKR	DISC. SIZE	DISC. SIZE
			FLA	LRA	FLA	LRA	FLA	LRA	FLA	LRA	FLA	LRA	FLA	LRA	FLA	LRA	FLA	LRA	
208/ 230-3-60	STD	7.8/10.4	-	43/42	212	44.4/44.2	50/50	47/47	216	45.4/45.2	50/50	48/48	217	49.2/49.0	60/60	52/52	221	54/54	225
		12.0/16.0	21.7/25.0	43/42	212/212	44.4/44.2	50/50	47/47	216/216	45.4/45.2	50/50	48/48	217/217	49.2/49.0	60/60	52/52	221/221	54/54	225/225
		18.6/24.8	33.4/38.5	45/51	212/212	53.8/59.9	60/60	49/55	216/216	55.0/61.1	60/70	51/56	217/217	59.8/65.9	90/100	59/61	221/221	70/70	225/225
		24.0/32.0	51.7/59.7	66/75	212/212	76.6/86.4	80/90	70/79	216/216	77.9/87.6	80/90	72/81	217/217	82.6/92.4	100/100	76/85	221/221	90/100	225/225
		31.8/42.4	66.7/77.0	83/95	212/212	95.4/108.0	100/110	88/99	216/216	96.6/109.3	100/110	89/101	217/217	101.4/114.0	110/125	93/105	221/221	110/125	225/225
	MED	7.8/10.4	-	44/44	216	45.7/45.4	60/60	48/48	220	46.7/46.4	60/60	50/49	221	50.5/50.2	60/60	54/54	225	54/54	225
		12.0/16.0	21.7/25.0	44/44	216/216	45.7/45.4	60/60	48/48	220/220	46.7/46.4	60/60	50/49	221/221	50.5/50.2	60/60	54/54	225/225	54/54	225
		18.6/24.8	33.4/38.5	47/52	216/216	55.4/61.4	60/70	51/56	220/220	56.6/62.6	60/70	52/58	221/221	61.4/67.4	70/70	56/62	225/225	70/70	225
		24.0/32.0	51.7/59.7	68/76	216/216	78.3/87.9	80/90	72/81	220/220	79.5/89.1	80/90	73/82	221/221	84.3/93.9	90/100	78/86	225/225	90/100	225
		31.8/42.4	66.7/77.0	85/96	216/216	97.0/109.5	100/110	89/101	220/220	98.3/110.8	100/125	90/102	221/221	103.0/115.5	110/125	95/106	225/225	110/125	225
460-3-60	HIGH	7.8/10.4	-	48/47	266	49.4/48.4	60/60	53/52	270	50.4/49.4	60/60	54/53	271	54.2/53.2	60/60	58/57	275	58/57	275
		12.0/16.0	21.7/25.0	48/47	266/266	49.4/48.4	60/60	53/52	270/270	50.4/49.4	60/60	54/53	271/271	54.2/53.2	60/60	58/57	275/275	58/57	275
		18.6/24.8	33.4/38.5	51/56	266/266	60.0/65.1	60/70	55/60	270/270	61.3/66.4	70/70	56/61	271/271	66.0/71.1	70/80	61/65	275/275	70/80	275
		24.0/32.0	51.7/59.7	72/80	266/266	82.9/91.6	90/100	76/84	270/270	84.1/92.9	90/100	77/85	271/271	88.9/97.6	90/100	82/90	275/275	90/100	275
		31.8/42.4	66.7/77.0	89/100	266/266	101.6/113.3	110/125	93/104	270/270	102.9/114.5	110/125	95/105	271/271	107.6/119.3	110/125	99/110	275/275	110/125	275
	STD	13.9	16.7	20	111	20.4	25	22	113	20.8	25	22	113	22.6	25	24	115	24	115
		16.5	19.8	23	111	28.8	30	25	113	27.3	30	25	113	29.5	30	27	115	27	115
		27.8	33.4	42	111	30.6	35	28	113	31.1	35	29	113	33.4	35	31	115	31	115
		33.0	39.7	60	111	47.6	50	44	113	48.1	50	44	113	50.4	60	46	115	46	115
		41.7	50.2	70	111	55.5	60	51	113	56.0	60	52	113	58.3	60	54	115	54	115
575-3-60	MED	13.9	-	21	114	21.3	25	23	116	21.7	25	23	116	23.5	30	25	118	25	118
		16.5	16.7	24	114	27.9	30	26	116	28.4	30	26	116	30.6	35	28	118	28	118
		27.8	19.8	27	114	31.8	35	29	116	32.3	35	30	116	34.5	35	32	118	32	118
		33.0	33.4	43	114	48.8	50	45	116	49.3	50	45	116	51.5	60	47	118	47	118
		41.7	39.7	62	114	56.6	60	52	116	57.1	60	53	116	59.4	60	55	118	55	118
	STD	13.9	-	25	139	22.4	25	24	141	22.8	25	24	141	24.6	30	26	143	26	143
		16.5	16.7	25	139	29.3	30	27	141	29.8	30	27	141	32.0	35	29	143	29	143
		27.8	19.8	28	139	33.1	35	30	141	33.6	35	31	141	35.9	40	33	143	33	143
		33.0	33.4	44	139	50.1	60	46	141	50.6	60	47	141	52.9	60	49	143	49	143
		41.7	39.7	63	139	58.0	60	53	141	58.5	60	54	141	60.8	70	56	143	56	143
HIGH	13.9	-	20	87	16.3	20	17	91	18.0	20	19	89	21.8	25	23	93	23	93	
	16.5	16.7	20	87	29.0	30	27	91	31.1	35	29	89	35.9	40	33	93	33	93	
	27.8	19.8	50	87	54.6	60	50	91	56.8	60	52	89	61.5	70	57	93	57	93	
	33.0	33.4	60	91	71.1	80	65	91	71.6	80	66	91	73.9	80	68	93	68	93	
	41.7	39.7	70	91	87.0	80	70	91	88.0	80	70	91	91.0	80	70	93	80	93	

\* Nominal values, listed as 208/240V, 460V or 600V as appropriate.

# ELECTRICAL INFORMATION (UNITS PRODUCED PRIOR TO JULY 30, 2012) cont.

**Table 26 – 50TC\*A12 UNIT WIRE/FUSE OR HACR BREAKER SIZING DATA SINGLE STAGE COOLING WITH SINGLE SPEED INDOOR FAN MOTOR**

NOM. V-PH-Hz.	ELECTRIC HEATER				NO C.O. or UNPWR C.O.				W/PWRD C.O.										
	IFM TYPE	Nom* (kW)	FLA	MCA	NO PE.		w/ P.E. (pwrd fr/unit)		NO PE.		w/ P.E. (pwrd fr/unit)								
					MAX FUSE or HACR BRKR	DISC. SIZE	MCA	FLA	DISC. SIZE	MCA	FLA	DISC. SIZE							
208/ 230-3-60	STD	None	None	45.8	60	44	263	49.6	60	48	267	50.6	60	50	268	54.4	80	54	272
		7.8/10.4	21.7/25.0	45.8/45.8	60/60	44/44	263/263	49.6/49.6	60/60	48/48	267/267	50.6/50.6	60/60	50/50	268/268	54.4/54.4	80/80	54/54	272/272
460-3-60	MED	None	None	45.8	60	44	263	49.6	60	48	267	50.6	60	50	268	54.4	80	54	272
		7.8/10.4	21.7/25.0	45.8/45.8	60/60	44/44	263/263	49.6/49.6	60/60	48/48	267/267	50.6/50.6	60/60	50/50	268/268	54.4/54.4	80/80	54/54	272/272
575-3-60	STD	None	None	45.8	60	44	263	49.6	60	48	267	50.6	60	50	268	54.4	80	54	272
		7.8/10.4	21.7/25.0	45.8/45.8	60/60	44/44	263/263	49.6/49.6	60/60	48/48	267/267	50.6/50.6	60/60	50/50	268/268	54.4/54.4	80/80	54/54	272/272
575-3-60	MED	None	None	45.8	60	44	263	49.6	60	48	267	50.6	60	50	268	54.4	80	54	272
		7.8/10.4	21.7/25.0	45.8/45.8	60/60	44/44	263/263	49.6/49.6	60/60	48/48	267/267	50.6/50.6	60/60	50/50	268/268	54.4/54.4	80/80	54/54	272/272
575-3-60	HIGH	None	None	45.8	60	44	263	49.6	60	48	267	50.6	60	50	268	54.4	80	54	272
		7.8/10.4	21.7/25.0	45.8/45.8	60/60	44/44	263/263	49.6/49.6	60/60	48/48	267/267	50.6/50.6	60/60	50/50	268/268	54.4/54.4	80/80	54/54	272/272
575-3-60	HIGH	None	None	45.8	60	44	263	49.6	60	48	267	50.6	60	50	268	54.4	80	54	272
		7.8/10.4	21.7/25.0	45.8/45.8	60/60	44/44	263/263	49.6/49.6	60/60	48/48	267/267	50.6/50.6	60/60	50/50	268/268	54.4/54.4	80/80	54/54	272/272

\* Nominal values, listed as 208/240V, 460V or 600V as appropriate.



**ELECTRICAL INFORMATION (UNITS PRODUCED PRIOR TO JULY 30, 2012) cont.**  
**UNIT WIRE/FUSE OR HACR BREAKER SIZING DATA 2-STAGE COOLING WITH SINGLE SPEED INDOOR FAN MOTOR**

NOM. V- <u>PH</u> -Hz.	ELECTRIC HEATER					NO C.O. or UNPWR C.O.					W/PWRD C.O.										
	IFM TYPE	Nom* (kW)	FLA	NO PE.		w/ PE. (pwrd fr/unit)		NO PE.		w/ PE. (pwrd fr/unit)		NO PE.		w/ PE. (pwrd fr/unit)							
				MAX FUSE or HACR BRKR	DISC. SIZE	MCA	MAX FUSE or HACR BRKR	DISC. SIZE	MCA	MAX FUSE or HACR BRKR	DISC. SIZE	MCA	MAX FUSE or HACR BRKR	DISC. SIZE	MCA	MAX FUSE or HACR BRKR	DISC. SIZE				
			FLA	FLA	LRA	MCA	FLA	LRA	MCA	FLA	LRA	MCA	FLA	LRA	MCA	FLA	LRA	MCA	FLA	LRA	
208/ 230-3-60	STD	7.8/10.4	-	21.7/25.0	46	258	47.5	50	262	48.5	60	51	263	52.3	60	56	267	56	56	56	
		12.0/16.0	-	33.4/38.5	46/46	258/258	47.5/47.5	50/50	262/262	48.5/48.5	60/60	51/51	263/263	52.3/52.3	60/60	56/56	267/267	56/56	56/56	56/56	
		24.0/32.0	-	66.7/77.0	46/50	258/258	53.0/59.4	60/60	50/55	262/262	54.3/60.6	60/70	51/56	263/263	59.0/65.4	60/70	56/60	267/267	56/60	56/60	56/60
		31.8/42.4	-	88.4/102.0	83/95	258/258	94.6/107.5	100/110	87/99	262/262	95.9/108.8	100/110	88/100	263/263	100.6/113.5	110/125	93/104	267/267	93/104	93/104	93/104
	37.6/50.0	-	104.2/120.3	108/123	258/258	121.8/138.8	125/150	112/128	262/262	123.0/140.0	125/150	113/129	263/263	127.8/144.8	150/150	118/133	267/267	118/133	118/133	118/133	
	7.8/10.4	-	21.7/25.0	51	301	52.3	60	56	306	53.3	60	57	306	57.1	70	61	310	61	61	61	
	12.0/16.0	-	33.4/38.5	51/51	301/301	52.3/52.3	60/60	56/56	305/305	53.3/53.3	60/60	57/57	306/306	57.1/57.1	70/70	61/61	310/310	61/61	61/61	61/61	
	24.0/32.0	-	66.7/77.0	88/100	301/301	100.6/113.5	110/125	93/104	305/305	101.9/114.8	110/125	94/106	306/306	106.6/119.5	110/125	98/110	310/310	98/110	98/110	98/110	
31.8/42.4	-	88.4/102.0	113/129	301/301	127.8/144.8	150/150	118/133	305/305	129.0/146.0	150/150	119/134	306/306	133.8/150.8	150/175	123/139	310/310	123/139	123/139	123/139		
37.6/50.0	-	104.2/120.3	131/150	301/301	147.5/137.6	150/150	136/154	305/305	148.8/138.8	150/150	137/155	306/306	153.5/143.6	175/175	141/160	310/310	141/160	141/160	141/160		
460-3-60	STD	7.8/10.4	-	21.7/25.0	57	310	57.3	60	314	58.3	70	61	314	62.1	70	67	319	67	67	67	
		12.0/16.0	-	33.4/38.5	57/57	310/310	57.3/57.3	70/70	61/61	314/314	58.3/58.3	70/70	62/62	315/315	62.1/62.1	70/70	67/67	67/67	67/67	67/67	
		24.0/32.0	-	66.7/77.0	57/62	310/310	65.3/71.6	70/80	61/66	314/314	66.5/72.9	70/80	62/67	315/315	71.3/77.6	80/80	67/71	67/71	67/71	67/71	
		31.8/42.4	-	88.4/102.0	94/106	310/310	106.9/119.8	110/125	98/110	314/314	108.1/121.0	110/125	99/111	315/315	112.9/125.8	125/150	104/116	319/319	104/116	104/116	104/116
	37.6/50.0	-	104.2/120.3	119/135	310/310	134.0/151.0	150/175	123/139	314/314	135.3/152.3	150/175	124/140	315/315	142.0/157.0	150/175	129/144	319/319	129/144	129/144	129/144	
	7.8/10.4	-	21.7/25.0	23	123	23.3	30	25	125	23.7	30	25	125	25.5	30	27	127	27	27	27	
	12.0/16.0	-	33.4/38.5	23	123	23.3	30	25	125	23.7	30	25	125	25.5	30	27	127	27	27	27	
	24.0/32.0	-	66.7/77.0	26	123	30.3	30	28	125	30.3	35	28	125	33.0	35	30	127	30	30	30	
31.8/42.4	-	88.4/102.0	49	123	55.1	60	51	125	55.6	60	51	125	63.0	60	51	127	60	60	60		
37.6/50.0	-	104.2/120.3	61	123	68.3	70	63	125	68.8	70	63	125	80.0	70	63	127	80	80	80		
575-3-60	STD	7.8/10.4	-	21.7/25.0	72	123	65.6	70	125	66.1	70	74	125	68.4	70	77	127	77	77	77	
		12.0/16.0	-	33.4/38.5	72	123	65.6	70	125	66.1	70	74	125	68.4	70	77	127	77	77	77	
		24.0/32.0	-	66.7/77.0	25	145	25.1	30	27	147	25.5	30	27	147	27.3	30	29	149	29	29	
		31.8/42.4	-	88.4/102.0	25	145	28.6	30	27	147	29.1	30	27	147	31.4	35	29	149	35	35	
	37.6/50.0	-	104.2/120.3	25	145	32.5	35	30	147	33.0	35	30	147	35.3	40	32	149	40	40		
	7.8/10.4	-	21.7/25.0	35	149	30.3	40	33	151	30.3	40	33	151	33.0	40	32	149	35	35		
	12.0/16.0	-	33.4/38.5	35	149	30.3	40	33	151	30.3	40	33	151	33.0	40	32	149	35	35		
	24.0/32.0	-	66.7/77.0	60	145	57.4	60	53	147	57.9	60	53	147	60.1	70	55	149	70	70		
31.8/42.4	-	88.4/102.0	66	149	70.5	80	65	147	71.0	80	65	147	73.3	80	67	149	80	80			
37.6/50.0	-	104.2/120.3	74	145	67.9	80	74	145	68.4	80	74	147	70.6	80	74	149	80	80			
HIGH	STD	7.8/10.4	-	21.7/25.0	28	149	28.1	30	151	28.5	35	31	151	30.3	35	33	153	33	33	33	
		12.0/16.0	-	33.4/38.5	28	149	32.4	35	30	32.9	40	31	151	35.1	40	33	153	40	40		
		24.0/32.0	-	66.7/77.0	31	149	36.3	40	33	36.8	40	34	151	39.0	40	36	153	40	40		
		31.8/42.4	-	88.4/102.0	54	149	61.1	70	56	61.6	70	57	151	63.9	70	59	153	70	70		
	37.6/50.0	-	104.2/120.3	66	149	74.3	80	68	74.8	80	69	151	77.0	80	71	153	80	80			
	7.8/10.4	-	21.7/25.0	17	93	20.0	25	21	97	17.9	20	19	95	21.7	25	23	99	23	23		
	12.0/16.0	-	33.4/38.5	17	93	20.0	25	21	97	17.9	20	19	95	21.7	25	23	99	23	23		
	24.0/32.0	-	66.7/77.0	26	93	32.8	35	30	97	30.1	35	28	95	34.9	35	32	99	32	32		
31.8/42.4	-	88.4/102.0	49	93	58.4	60	54	97	55.8	60	51	95	60.5	70	56	99	70	70			
37.6/50.0	-	104.2/120.3	73	93	68.6	80	77	97	65.9	70	75	95	70.7	80	79	99	80	80			
HIGH	STD	7.8/10.4	-	21.7/25.0	18	104	20.8	25	108	18.7	25	22	106	22.5	25	24	110	24	24		
		12.0/16.0	-	33.4/38.5	18	104	20.8	25	108	18.7	25	22	106	22.5	25	24	110	24	24		
		24.0/32.0	-	66.7/77.0	27	104	33.8	35	31	108	31.1	35	29	106	35.9	40	33	110	33	33	
		31.8/42.4	-	88.4/102.0	50	104	59.4	60	55	108	56.8	60	52	106	61.5	70	57	110	70	70	
	37.6/50.0	-	104.2/120.3	74	104	69.6	80	78	108	66.9	70	76	106	71.7	80	80	110	80	80		
	7.8/10.4	-	21.7/25.0	21	118	23.6	30	25	122	21.5	35	23	120	25.3	40	27	124	30	30		
	12.0/16.0	-	33.4/38.5	21	118	23.6	30	25	122	21.5	35	23	120	25.3	40	27	124	30	30		
	24.0/32.0	-	66.7/77.0	35	118	37.3	40	34	122	34.6	40	32	120	39.4	40	36	124	40	40		
31.8/42.4	-	88.4/102.0	53	118	62.9	70	58	122	60.3	70	55	120	65.0	70	60	124	70	70			
37.6/50.0	-	104.2/120.3	77	118	73.1	80	81	122	70.4	80	79	120	75.2	80	83	124	80	80			

\* Nominal values, listed as 208/240V, 480V or 600V as appropriate.



# ELECTRICAL INFORMATION (UNITS PRODUCED PRIOR TO JULY 30, 2012) cont.

**Table 29 – 50TC\*D14 UNIT WIRE/FUSE OR HACR BREAKER SIZING DATA 2-STAGE COOLING WITH SINGLE SPEED INDOOR FAN MOTOR**

NOM. V-PH-Hz.	ELECTRIC HEATER										NO C.O. or UNPWR C.O.										W/PWR C.O.									
	IFM TYPE	Nom* (kW)	FLA	NO PE.			w/ P.E. (pwrd fr/unit)			NO PE.			w/ P.E. (pwrd fr/unit)			NO PE.			w/ P.E. (pwrd fr/unit)											
				MCA	MAX FUSE or HACR BRKR	DISC. SIZE FLA LRA	MCA	MAX FUSE or HACR BRKR	DISC. SIZE FLA LRA	MCA	MAX FUSE or HACR BRKR	DISC. SIZE FLA LRA	MCA	MAX FUSE or HACR BRKR	DISC. SIZE FLA LRA	MCA	MAX FUSE or HACR BRKR	DISC. SIZE FLA LRA												
208/ 230-3-60	STD	7.8/10.4	21.7/25.0	60.7	80	63	360	64.5	80	68	364	65.5	80	69	365	69.3	80	73	369											
		12.0/16.0	33.4/38.5	60.7/60.7	80/80	63/63	360/360	64.5/64.5	80/80	68/68	364/364	65.5/65.5	80/80	69/69	365/365	69.3/69.3	80/80	73/73	369/369											
		24.0/32.0	66.7/77.0	92.8/105.6	100/110	85/97	360/360	97.5/110.4	100/125	90/102	364/364	98.9/111.6	100/125	91/103	365/365	103.5/116.4	110/125	95/107	369/369											
		31.8/42.4	88.4/102.0	119.9/136.9	125/150	110/126	360/360	124.6/141.6	125/150	115/130	364/364	125.9/142.9	150/150	116/131	365/365	130.6/147.6	150/150	120/136	369/369											
		37.6/50.0	104.2/120.3	139.6/129.7	150/150	128/147	360/360	144.4/134.4	150/150	133/151	364/364	145.6/135.7	150/150	134/152	365/365	150.4/140.4	175/150	138/157	369/369											
460-3-60	MED	7.8/10.4	21.7/25.0	63.2	80	66	377	67.0	80	71	381	68.0	80	72	382	71.8	80	76	386											
		12.0/16.0	33.4/38.5	63.2/63.2	80/80	66/66	377/377	67.0/67.0	80/80	71/71	381/381	68.0/68.0	80/80	72/72	382/382	71.8/71.8	80/80	76/76	386/386											
		24.0/32.0	66.7/77.0	95.9/108.8	100/110	88/100	377/377	100.6/113.5	110/125	93/104	381/381	101.9/114.8	110/125	94/106	382/382	106.6/119.5	110/125	98/110	386/386											
		31.8/42.4	88.4/102.0	123.0/140.0	125/150	113/129	377/377	127.8/144.8	150/150	118/133	381/381	129.0/146.0	150/150	119/134	382/382	133.8/150.8	150/175	123/139	386/386											
		37.6/50.0	104.2/120.3	142.8/132.8	150/150	131/150	377/377	147.5/137.6	150/150	136/154	381/381	148.8/138.8	150/150	137/155	382/382	153.5/143.6	175/175	141/160	386/386											
575-3-60	HIGH	7.8/10.4	21.7/25.0	68.2	80	72	386	72.0	80	76	390	73.0	80	78	391	76.8	80	82	395											
		12.0/16.0	33.4/38.5	68.2/68.2	80/80	72/72	386/386	72.0/72.0	80/80	76/76	390/390	73.0/73.0	80/80	78/78	391/391	76.8/76.8	90/90	82/82	395/395											
		24.0/32.0	66.7/77.0	102.1/115.0	110/125	94/106	386/386	106.9/119.8	110/125	98/110	390/390	108.1/121.0	110/125	99/111	391/391	112.9/125.8	125/150	104/116	395/395											
		31.8/42.4	88.4/102.0	129.3/146.3	150/150	119/135	386/386	134.0/151.0	150/175	123/139	390/390	135.3/152.3	150/175	124/140	391/391	140.0/157.0	150/175	129/144	395/395											
		37.6/50.0	104.2/120.3	149.0/139.1	150/175	137/156	386/386	153.8/143.8	175/175	141/160	390/390	155.0/145.1	175/175	143/161	391/391	159.8/149.8	175/175	147/165	395/395											
460-3-60	STD	13.9	16.7	29.5	40	31	181	31.3	40	33	183	31.7	40	33	183	33.5	40	35	185											
		16.5	19.8	29.5	40	31	181	31.3	40	33	183	31.7	40	33	183	33.5	40	35	185											
		33.0	39.7	53.9	60	50	181	56.1	60	52	183	56.6	60	52	183	58.9	60	54	185											
		41.7	50.2	67.0	70	62	181	69.3	70	64	183	69.8	70	64	183	72.0	80	66	185											
		50.0	60.1	64.4	70	73	181	66.6	70	75	183	67.1	70	76	183	69.4	80	78	185											
460-3-60	MED	13.9	16.7	30.5	40	32	190	32.3	40	34	192	32.7	40	35	192	34.5	40	37	194											
		16.5	19.8	30.5	40	32	190	32.3	40	34	192	32.7	40	35	192	34.5	40	37	194											
		33.0	39.7	55.1	60	51	190	57.4	60	53	192	57.9	60	53	192	60.1	70	55	194											
		41.7	50.2	68.3	70	63	190	70.5	70	65	192	71.0	80	65	192	73.3	80	67	194											
		50.0	60.1	65.6	80	74	190	67.9	80	76	192	68.4	80	77	192	70.6	80	79	194											
575-3-60	STD	13.9	16.7	33.5	40	35	194	35.3	45	37	196	35.7	45	38	196	37.5	45	40	198											
		16.5	19.8	34.0	40	35	194	36.3	45	37	196	36.8	45	38	196	39.0	45	40	198											
		33.0	39.7	58.9	60	54	194	61.1	70	56	196	61.6	70	57	196	63.9	70	59	198											
		41.7	50.2	72.0	80	66	194	74.3	80	68	196	74.8	80	69	196	77.0	80	71	198											
		50.0	60.1	69.4	80	78	194	71.6	80	80	196	72.1	80	80	196	74.4	80	82	198											
575-3-60	MED	17.0	20.4	22.3	30	23	142	26.1	30	28	146	24.0	30	25	144	27.8	30	30	148											
		34.0	40.9	54.6	60	50	142	59.4	60	55	146	56.8	60	52	144	61.5	70	57	148											
		51.0	61.3	64.8	70	74	142	69.6	80	78	146	66.9	70	76	144	71.7	80	80	148											
		17.0	20.4	29.0	30	27	142	33.8	35	31	146	31.1	35	29	144	35.9	40	33	148											
		34.0	40.9	54.6	60	50	142	59.4	60	55	146	56.8	60	52	144	61.5	70	57	148											
575-3-60	HIGH	17.0	20.4	25.1	30	27	156	28.9	35	31	160	26.8	30	29	158	30.6	35	33	162											
		34.0	40.9	58.1	60	53	156	62.9	70	58	160	60.3	70	55	158	65.0	70	60	162											
		51.0	61.3	68.3	80	77	156	73.1	80	81	160	70.4	80	79	158	75.2	80	83	162											
		17.0	20.4	32.5	35	30	156	37.3	40	34	160	34.6	35	32	158	36.6	40	36	162											
		34.0	40.9	58.1	60	53	156	62.9	70	58	160	60.3	70	55	158	65.0	70	60	162											

\* Nominal values, listed as 208/240V, 480V or 600V as appropriate.

# ELECTRICAL INFORMATION (UNITS PRODUCED PRIOR TO JULY 30, 2012) cont.

**Table 30 – 50TC\*D14 UNIT WIRE/FUSE OR HACR BREAKER SIZING DATA 2-STAGE COOLING WITH 2 SPEED INDOOR FAN MOTOR**

NOM. V-PH-Hz	ELECTRIC HEATER											NO P.E.											
	IFM TYPE	Nom (kW)	FLA	NO C.O. or UNPWR C.O.				w/ P.E. (pwrld fr/unit)				NO P.E.				w/ P.E. (pwrld fr/unit)							
				MCA	MAX FUSE or HACR BRKR	DISC. SIZE		MCA	MAX FUSE or HACR BRKR	DISC. SIZE		MCA	MAX FUSE or HACR BRKR	DISC. SIZE		MCA	MAX FUSE or HACR BRKR	DISC. SIZE					
						FLA	LRA			FLA	LRA			FLA	LRA			FLA	LRA				
208/230-3-60	STD	7.8/10.4	-	61.8/61.0	80/80	65/64	357	357/357	65/64.8	80/80	69/68	361	361/361	66.5/65.8	80/80	70/69	362	362/362	70.4/69.6	80/80	75/74	366	366/366
		12.0/16.0	21.7/25.0	61.8/61.0	80/80	65/64	357/357	65/64.8	80/80	69/68	361/361	66.5/65.8	80/80	70/69	362/362	70.4/69.6	80/80	75/74	366/366	70.4/69.6	80/80	75/74	366/366
		24.0/32.0	33.4/38.5	61.8/61.0	80/80	65/64	357/357	65/64.8	80/80	69/68	361/361	66.5/65.8	80/80	70/69	362/362	70.4/69.6	80/80	75/74	366/366	70.4/69.6	80/80	75/74	366/366
		31.8/42.4	66.7/77.0	94.1/106.0	100/110	87/98	357/357	98.9/110.8	100/125	91/102	361/361	100.1/112.0	110/125	92/103	362/362	104.9/116.8	110/125	96/107	366/366	104.9/116.8	110/125	96/107	366/366
		37.6/50.0	88.4/102.0	121.3/137.3	125/150	112/126	357/357	126.0/142.0	150/150	116/131	361/361	127.3/143.3	150/150	117/132	362/362	132.0/148.0	150/150	121/136	366/366	132.0/148.0	150/150	121/136	366/366
		-	104.2/120.3	141.0/150.1	150/150	130/147	357/357	145.8/154.8	150/150	134/152	361/361	147.0/156.1	150/150	135/153	362/362	151.8/140.8	175/175	140/157	366/366	151.8/140.8	175/175	140/157	366/366
	MED	7.8/10.4	21.7/25.0	64.0/63.0	80/80	67/66	381	381	67.8/66.8	80/80	72/70	385	385	68.8/67.8	80/80	73/72	386	386	72.6/71.6	80/80	77/76	390	390
		12.0/16.0	33.4/38.5	64.0/63.0	80/80	67/66	381/381	67.8/66.8	80/80	72/70	385/385	68.8/67.8	80/80	73/72	386/386	72.6/71.6	80/80	77/76	390/390	72.6/71.6	80/80	77/76	390/390
		24.0/32.0	66.7/77.0	96.9/108.5	100/110	89/100	381/381	101.6/113.3	110/125	93/104	385/385	102.9/114.5	110/125	95/105	386/386	107.6/119.3	110/125	99/110	390/390	107.6/119.3	110/125	99/110	390/390
		31.8/42.4	88.4/102.0	124.0/139.8	125/150	114/129	381/381	128.8/144.5	150/150	118/133	385/385	130.0/145.8	150/150	120/134	386/386	134.8/150.5	150/175	124/138	390/390	134.8/150.5	150/175	124/138	390/390
		37.6/50.0	104.2/120.3	143.8/132.6	150/150	132/150	381/381	148.5/137.3	150/150	137/154	385/385	149.8/138.6	150/150	138/155	386/386	154.5/143.3	175/175	142/160	390/390	154.5/143.3	175/175	142/160	390/390
		-	21.7/25.0	66.8/65.9	80/80	70/69	392	392	70.6/69.7	80/80	75/74	396	396	71.6/70.7	80/80	76/75	397	397	75.4/74.5	90/90	80/79	401	401
	HIGH	12.0/16.0	33.4/38.5	66.8/65.9	80/80	70/69	392/392	70.6/69.7	80/80	75/74	396/396	71.6/70.7	80/80	76/75	397/397	75.4/74.5	90/90	80/79	401/401	75.4/74.5	90/90	80/79	401/401
		24.0/32.0	66.7/77.0	100.4/112.1	110/125	92/103	392/392	105.1/116.9	110/125	97/108	396/396	106.4/118.1	110/125	98/109	397/397	111.1/122.9	125/125	102/113	401/401	111.1/122.9	125/125	102/113	401/401
		31.8/42.4	88.4/102.0	127.5/143.4	150/150	117/132	392/392	132.3/148.1	150/150	122/136	396/396	133.5/149.4	150/150	123/137	397/397	138.3/154.1	150/175	127/142	401/401	138.3/154.1	150/175	127/142	401/401
		37.6/50.0	104.2/120.3	147.3/136.2	150/150	135/153	392/392	152.0/140.9	175/175	140/157	396/396	153.3/142.2	175/175	141/158	397/397	158.0/146.9	175/175	145/163	401/401	158.0/146.9	175/175	145/163	401/401
-		16.7	29.9	40	31	180	31.7	40	33	182	32.1	40	34	182	33.9	40	36	184	33.9	40	37	186	
13.9		19.8	29.9	40	31	180	31.7	40	33	182	32.1	40	34	182	33.9	40	36	184	33.9	40	37	186	
460-3-60	MED	13.9	16.7	31.0	40	33	192	32.8	40	35	194	33.2	40	35	194	35.0	40	37	196	35.0	40	39	198
		16.5	19.8	31.0	40	33	192	33.1	40	35	194	33.6	40	35	194	35.9	40	37	196	35.9	40	39	198
		33.0	39.7	55.8	60	51	192	58.0	60	53	194	58.5	60	54	194	60.8	60	56	196	60.8	60	58	198
		41.7	50.2	66.9	70	63	192	71.1	80	65	194	71.6	80	66	194	73.9	80	68	196	73.9	80	70	198
		50.0	60.1	66.2	80	75	192	68.5	80	77	194	69.0	80	77	194	71.2	80	79	196	71.2	80	81	198
		-	16.7	32.5	40	34	197	34.3	40	36	199	34.7	40	37	199	36.5	40	39	201	36.5	40	41	201
575-3-60	STD	13.9	16.7	32.5	40	34	197	34.3	40	36	199	34.7	40	37	199	36.5	40	39	201	36.5	40	41	201
		16.5	19.8	32.8	40	34	197	35.0	40	36	199	35.5	40	37	199	37.8	40	39	201	37.8	40	41	201
		33.0	39.7	57.6	60	53	197	59.9	60	55	199	60.4	70	56	199	62.6	70	58	201	62.6	70	60	201
		41.7	50.2	70.8	80	65	197	73.0	80	67	199	73.5	80	68	199	75.8	80	70	201	75.8	80	72	201
		50.0	60.1	68.1	80	76	192	70.4	80	79	199	70.9	80	79	199	73.1	80	81	201	73.1	80	83	201
		-	20.4	24.0	30	25	142	27.8	30	30	146	25.7	30	27	144	29.5	30	32	148	29.5	30	34	148
575-3-60	MED	17.0	20.4	31.1	35	29	142	35.9	40	33	146	33.3	35	31	144	38.0	40	35	148	38.0	40	37	148
		34.0	40.9	56.8	60	52	142	61.5	70	57	146	58.9	60	54	144	63.6	70	59	148	63.6	70	61	148
		51.0	61.3	66.9	80	76	142	71.7	80	80	146	69.1	80	78	144	73.8	80	82	148	73.8	80	84	148
		-	20.4	24.0	30	25	142	27.8	30	30	146	25.7	30	27	144	29.5	30	32	148	29.5	30	34	148
		17.0	20.4	31.1	35	29	142	35.9	40	33	146	33.3	35	31	144	38.0	40	35	148	38.0	40	37	148
		34.0	40.9	56.8	60	52	142	61.5	70	57	146	58.9	60	54	144	63.6	70	59	148	63.6	70	61	148
HIGH	HIGH	17.0	20.4	25.7	30	27	156	29.5	35	32	160	27.4	30	29	158	31.2	35	34	162	31.2	35	36	162
		34.0	40.9	58.9	60	54	156	63.6	70	59	160	61.0	70	56	158	65.8	70	60	162	65.8	70	62	162
		51.0	61.3	69.1	80	78	156	73.8	80	82	160	71.2	80	80	158	75.9	80	84	162	75.9	80	86	162
		-	20.4	24.0	30	27	142	27.8	30	30	146	25.7	30	27	144	29.5	30	32	148	29.5	30	34	148
		17.0	20.4	31.1	35	29	142	35.9	40	33	146	33.3	35	31	144	38.0	40	35	148	38.0	40	37	148
		34.0	40.9	56.8	60	52	142	61.5	70	57	146	58.9	60	54	144	63.6	70	59	148	63.6	70	61	148

\* Nominal values, listed as 208/240V, 480V or 600V as appropriate.



# ELECTRICAL INFORMATION (UNITS PRODUCED PRIOR TO JULY 30, 2012) cont.

## Table 32 – 50TC\*D16 UNIT WIRE/FUSE OR HACR BREAKER SIZING DATA 2-STAGE COOLING WITH 2 SPEED INDOOR FAN MOTOR

NOM. V-PH-Hz.	ELECTRIC HEATER				NO C.O. or UNPWR C.O.				NO PE.				w/ PWRD C.O.				
	IFM TYPE	Nom (kW)	FLA	MCA	MAX FUSE or HACR BRKR	DISC. SIZE FLA	DISC. SIZE LRA	MCA	w/ P.E. (pwrd fr/unit) MAX FUSE or HACR BRKR	DISC. SIZE FLA	DISC. SIZE LRA	MCA	w/ P.E. (pwrd fr/unit) MAX FUSE or HACR BRKR	DISC. SIZE FLA	DISC. SIZE LRA	MCA	
208/ 230-3-60	STD	12.4/16.5	34.4/39.7	69.4/68.6	80/80	73/72	393	73.2/72.4	80/80	71/76	397	74.2/73.4	90/80	78/77	398	78.0/77.2	100/100
		25.2/33.5	69.9/80.6	98.1/110.5	100/125	90/102	393/393	102.9/115.3	100/125	95/106	397/397	104.1/116.5	110/125	96/107	398/398	108.9/121.3	110/125
		32.7/43.5	90.7/104.7	124.1/140.6	125/150	114/129	393/393	128.9/145.4	150/150	119/134	397/397	130.1/146.6	150/150	120/135	398/398	134.9/151.4	150/175
		37.6/50.0	104.3/120.3	141.1/130.1	150/150	130/147	393/393	145.9/134.8	150/150	134/152	397/397	147.1/136.1	150/150	135/153	398/398	151.9/140.8	175/150
		50.3/67.0	139.7/161.2	150.5/171.0	175/200	171/194	393/393	155.2/175.7	175/200	175/199	397/397	156.5/177.0	175/200	176/200	398/398	161.2/181.7	175/200
	MED	12.4/16.5	34.4/39.7	71.6/70.6	80/80	75/74	417	75.4/74.4	100/90	79/78	421	76.4/75.4	100/100	81/79	422	80.2/79.2	100/100
		25.2/33.5	69.9/80.6	100.9/113.0	110/125	93/104	417/417	105.6/117.8	110/125	97/108	421/421	106.9/119.0	110/125	98/109	422/422	111.6/123.8	125/125
		32.7/43.5	90.7/104.7	126.9/143.1	150/150	117/132	417/417	131.6/147.9	150/150	121/136	421/421	132.9/149.1	150/150	122/137	422/422	137.6/153.9	150/175
		37.6/50.0	104.3/120.3	143.9/132.6	150/150	132/150	417/417	148.6/137.3	150/150	137/154	421/421	149.9/138.6	150/150	138/155	422/422	154.6/143.3	175/175
		50.3/67.0	139.7/161.2	153.2/173.5	175/200	173/197	417/417	158.0/178.2	175/200	177/201	421/421	159.2/179.5	175/200	179/202	422/422	164.0/184.2	175/200
460-3-60	HIGH	12.4/16.5	34.4/39.7	81.2/81.2	100	86	81.2	85.0	100	91	436	86.0	100	92	437	89.8	100
		25.2/33.5	69.9/80.6	112.9/126.3	125/150	104/116	432/432	117.6/131.0	125/150	108/121	436/436	118.9/132.3	125/150	109/122	437/437	123.6/137.0	150/150
		32.7/43.5	90.7/104.7	138.9/156.4	150/175	128/144	432/432	143.6/161.1	150/175	132/148	436/436	144.9/162.4	150/175	133/149	437/437	149.6/167.1	150/175
		37.6/50.0	104.3/120.3	155.9/145.8	175/175	143/162	432/432	160.6/150.6	175/175	148/166	436/436	161.9/151.8	175/175	149/167	437/437	166.6/156.6	175/175
		50.3/67.0	139.7/161.2	165.2/186.7	175/225	184/209	432/432	170.0/191.5	175/225	188/213	436/436	171.2/192.7	200/225	190/214	437/437	176.0/197.5	200/225
	STD	16.5	19.9	34.4	45	36	233	36.2	45	38	235	36.6	45	38	235	38.4	50
		33.5	40.3	55.1	60	51	233	57.4	60	53	235	57.9	60	53	235	61.5	70
		43.5	52.3	70.1	80	65	233	72.4	80	67	235	72.9	80	67	235	75.1	80
		50.0	60.2	65.0	70	74	233	67.2	70	76	235	67.7	80	76	235	70.0	70
		67.0	80.6	85.4	90	97	233	87.6	100	99	235	88.1	100	100	235	90.4	100
MED	16.5	19.9	35.5	45	37	245	37.3	50	39	247	37.7	50	40	247	39.5	50	
	33.5	40.3	56.5	60	52	245	58.8	60	54	247	59.3	60	55	247	61.5	70	
	43.5	52.3	71.5	80	66	245	73.8	80	68	247	74.3	80	68	247	76.5	80	
	50.0	60.2	66.3	80	75	245	68.6	80	77	247	69.1	80	77	247	71.3	70	
	67.0	80.6	86.7	100	98	245	89.0	100	100	247	89.5	100	101	247	91.7	100	
HIGH	16.5	19.9	40.8	50	43	252	42.6	50	45	254	43.0	50	46	254	44.8	50	
	33.5	40.3	63.1	70	58	252	65.4	70	60	254	65.9	70	61	254	68.1	70	
	43.5	52.3	78.1	80	72	252	80.4	90	74	254	80.9	90	74	254	83.1	90	
	50.0	60.2	73.0	80	81	252	75.2	80	83	254	75.7	80	83	254	78.0	80	
	67.0	80.6	93.4	100	104	252	95.6	100	106	254	96.1	100	107	254	98.4	100	
575-3-60	STD	16.5	15.9	28.2	35	30	32.0	40	34	188	29.9	35	32	186	33.7	40	
		33.5	32.2	45.9	50	42	184	50.6	40	47	188	48.0	50	44	186	52.8	60
		43.5	41.8	57.9	60	53	184	62.6	50	58	188	60.0	60	55	186	64.8	70
		50.0	48.1	53.7	80	60	184	58.5	60	65	188	55.9	60	62	186	60.6	70
		67.0	64.4	70.0	80	79	184	74.8	80	84	188	72.2	80	81	186	76.9	80
	MED	16.5	15.9	28.2	35	30	184	32.0	40	34	188	29.9	35	32	186	33.7	40
		33.5	32.2	45.9	50	42	184	50.6	40	47	188	48.0	50	44	186	52.8	60
		43.5	41.8	57.9	60	53	184	62.6	50	58	188	60.0	60	55	186	64.8	70
		50.0	48.1	53.7	80	60	184	58.5	60	65	188	55.9	60	62	186	60.6	70
		67.0	64.4	70.0	80	79	184	74.8	80	84	188	72.2	80	81	186	76.9	80
HIGH	16.5	15.9	32.7	40	35	196	36.5	45	39	200	34.4	40	37	198	38.2	45	
	33.5	32.2	51.5	60	47	196	56.3	40	52	200	53.6	60	49	198	58.4	60	
	43.5	41.8	63.5	70	58	196	68.3	70	63	200	65.6	70	60	198	70.4	80	
	50.0	48.1	59.4	70	66	196	64.1	70	70	200	61.5	70	68	198	66.2	70	
	67.0	64.4	75.7	80	84	196	80.4	80	89	200	77.8	80	86	198	82.5	80	

\* Nominal values, listed as 208/240V, 480V or 600V as appropriate.

**LEGEND:**

- BRKR - Circuit breaker
- CO - Convenience outlet
- DISC - Disconnect
- FLA - Full load amps
- IFM - Indoor fan motor
- LRA - Locked rotor amps
- MCA - Minimum circuit amps
- MOCP - MAX FUSE or HACR Breaker
- PE - Power exhaust
- PWRD CO - Powered convenient outlet
- UNPWR CO - Unpowered convenient outlet



**NOTES:**

1. In compliance with NEC requirements for multimotor and combination load equipment (refer to NEC Articles 430 and 440), the overcurrent protective device for the unit shall be fuse or HACR breaker. Canadian units may be fuse or circuit breaker.
2. **Unbalanced 3-Phase Supply Voltage**  
 Never operate a motor where a phase imbalance in supply voltage is greater than 2%.  
 Use the following formula to determine the percentage of voltage imbalance.

$$\% \text{ Voltage Imbalance} = 100 \times \frac{\text{max voltage deviation from average voltage}}{\text{average voltage}}$$

Example: Supply voltage is 230-3-60



AB = 224 v  
 BC = 231 v  
 AC = 226 v

$$\text{Average Voltage} = \frac{(224 + 231 + 226)}{3} = \frac{681}{3} = 227$$

Determine maximum deviation from average voltage.

(AB) 227 - 224 = 3 v  
 (BC) 231 - 227 = 4 v  
 (AC) 227 - 226 = 1 v

Maximum deviation is 4 v.

Determine percent of voltage imbalance.

$$\% \text{ Voltage Imbalance} = 100 \times \frac{4}{227} = 1.76\%$$

This amount of phase imbalance is satisfactory as it is below the maximum allowable 2%.

**IMPORTANT:** If the supply voltage phase imbalance is more than 2%, contact your local electric utility company immediately.

# SEQUENCE OF OPERATION

## General

The sequence below describes the sequence of operation for an electromechanical unit with and without a factory installed EconoMi\$er™ IV and X (called “economizer” in this sequence). For information regarding a direct digital controller, see the start-up, operations, and troubleshooting manual for the applicable controller.

### Electromechanical units with no economizer

#### **Cooling (Single speed indoor fan motor) —**

When the thermostat calls for cooling, terminals G and Y1 are energized. As a result, the indoor fan contactor (IFC) and the compressor contactor (C1) are energized, causing the indoor fan motor (IFM), compressor #1, and outdoor fan to start. If the unit has 2 stages of cooling, the thermostat will additionally energize Y2. The Y2 signal will energize compressor contactor #2 (C2), causing compressor #2 to start. Regardless of the number of stages, the outdoor fan motor runs continuously while unit is cooling.

#### **Cooling (2-speed indoor fan motor) —**

Per ASHRAE 90.1 2010 standard section 6.4.3.10.b, during the first stage of cooling operation the VFD will adjust the fan motor to provide 2/3rd of the total cfm established for the unit. When a call for the second stage of cooling is required, the VFD will allow the total cfm for the unit established (100%).

#### **Heating**

**NOTE:** The 50TC is sold as cooling only. If electric heaters are required, use only factory-approved electric heaters. They will operate as described below.

Units have either 1 or 2 stages of electric heat. When the thermostat calls for heating, power is applied to the W1 terminal at the unit. The unit control will energize the indoor fan contactor and the first stage of electric heat. On units with 2-stage heating, when additional heating is required, the second stage of electric heat (if equipped) will be energized when power is applied at the W2 terminal on the unit.

### Electromechanical units with an economizer

#### **Cooling —**

When free cooling is not available, the compressors will be controlled by the zone thermostat. When free cooling is available, the outdoor air damper is modulated by the EconoMi\$er IV and X control to provide a 50°F (10°C) to 55°F (13°C) mixed air temperature into the zone. As the mixed air temperature fluctuates above 55°F (13°C) or below 50°F (10°C) dampers will be modulated (open or close) to bring the mixed air temperature back within control. If mechanical cooling is utilized with free cooling, the outdoor air damper will maintain its current position at the time the compressor is started. If the

increase in cooling capacity causes the mixed air temperature to drop below 45°F (9°C), then the outdoor air damper position will be decreased to the minimum position. If the mixed air temperature continues to fall, the outdoor air damper will close. Control returns to normal once the mixed air temperature rises above 48°F (9°C). The power exhaust fans will be energized and de-energized, if installed, as the outdoor air damper opens and closes.

If field-installed accessory CO<sub>2</sub> sensors are connected to the EconoMi\$er IV and X control, a demand controlled ventilation strategy will begin to operate. As the CO<sub>2</sub> level in the zone increases above the CO<sub>2</sub> setpoint, the minimum position of the damper will be increased proportionally. As the CO<sub>2</sub> level decreases because of the increase in fresh air, the outdoor air damper will be proportionally closed. For EconoMi\$er IV and X operation, there must be a thermostat call for the fan (G). If the unit is occupied and the fan is on, the damper will operate at minimum position. Otherwise, the damper will be closed.

When the EconoMi\$er IV and X control is in the occupied mode and a call for cooling exists (Y1 on the thermostat), the control will first check for indoor fan operation. If the fan is not on, then cooling will not be activated. If the fan is on, then the control will open the EconoMi\$er IV and X damper to the minimum position.

On the initial power to the EconoMi\$er IV and X control, it will take the damper up to 2 1/2 minutes before it begins to position itself. After the initial power-up, further changes in damper position can take up to 30 seconds to initiate. Damper movement from full closed to full open (or vice versa) will take between 1 1/2 and 2 1/2 minutes. If free cooling can be used as determined from the appropriate changeover command (switch, dry bulb, enthalpy curve, differential dry bulb, or differential enthalpy), then the control will modulate the dampers open to maintain the mixed air temperature setpoint at 50°F (10°C) to 55°F (13°C). If there is a further demand for cooling (cooling second stage - Y2 is energized), then the control will bring on compressor stage 1 to maintain the mixed air temperature setpoint. The EconoMi\$er IV and X damper will be open at maximum position. EconoMi\$er IV and X operation is limited to a single compressor.

**2-Speed Note:** When operating in ventilation mode only, the indoor fan motor will automatically adjust to 2/3rd of the total cfm established.

#### **Heating**

The sequence of operation for the heating is the same as an electromechanical unit with no economizer. The only difference is how the economizer acts. The economizer will stay at the Economizer Minimum Position while the evaporator fan is operating. The outdoor air damper is closed when the indoor fan is not operating.



## SEQUENCE OF OPERATION (cont.)

### Optional Humidi-MiZer Dehumidification System

Units with the factory equipped Humidi-MiZer option are capable of providing multiple modes of improved dehumidification as a variation of the normal cooling cycle. The Humidi-MiZer option includes additional valves in the liquid line and discharge line of each refrigerant circuit, a small reheat condenser coil downstream of the evaporator, and Motormaster variable-speed control of some or all outdoor fans. Operation of the revised refrigerant circuit for each mode is described below.

The Humidi-MiZer system provides three sub-modes of operation: Cool, Reheat1, and Reheat2.

**Cool mode** - provides a normal ratio of Sensible and Latent Cooling effect from the evaporator coil.

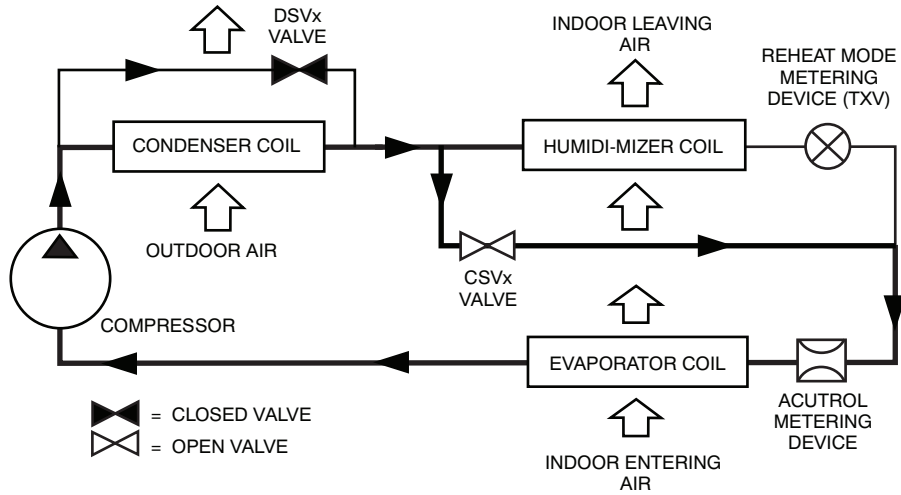
**Reheat1** - provides increased Latent Cooling while slightly reducing the Sensible Cooling effect.

**Reheat2** - provides normal Latent Cooling but with null or minimum Sensible Cooling effect delivered to the space.

The Reheat1 and Reheat2 modes are available when the unit is not in a Heating mode and when the Low Ambient Lockout switch is closed.

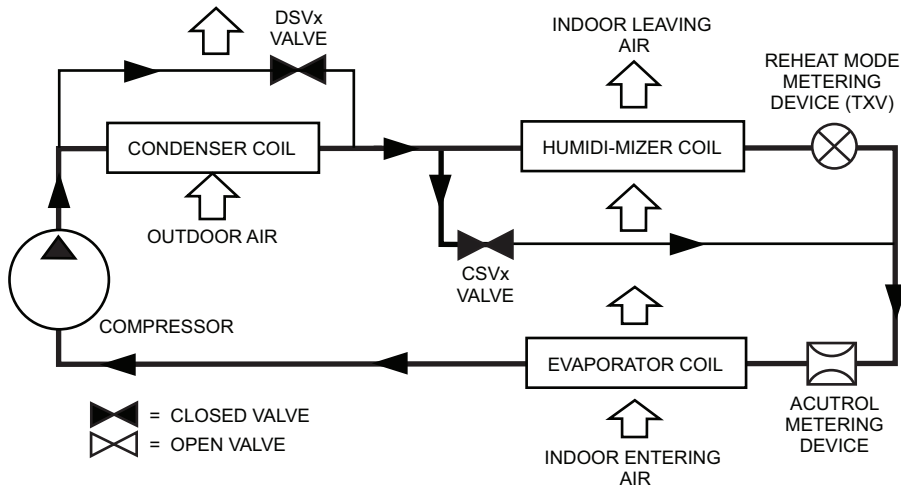
The following diagrams depict piping for Single Stage cooling units.

## SEQUENCE OF OPERATION (cont.)



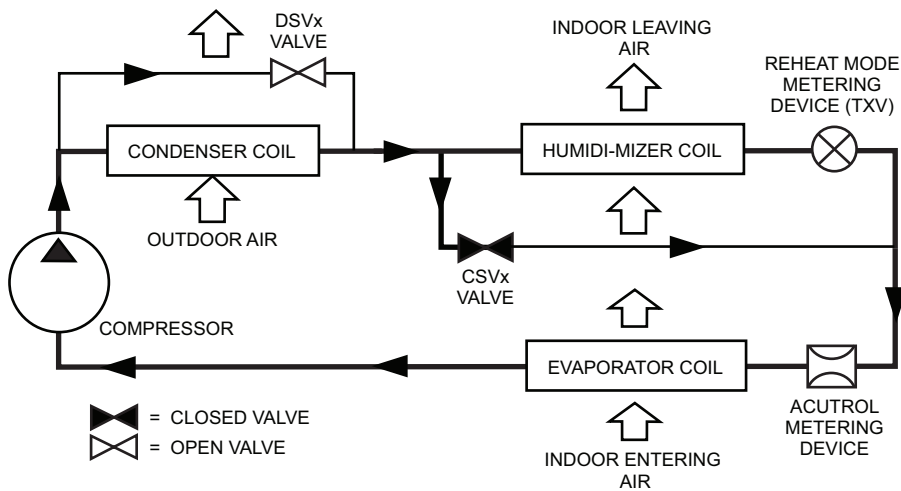
C12647

### Normal Cooling Mode - Humidi-MiZer System with Single Stage Cooling



C12648

### Subcooling Mode (Reheat 1) - Humidi-MiZer System with Single Stage Cooling



C12649

### Hot Gas Reheat Mode (Reheat 2) - Humidi-MiZer System with Single Stage Cooling

**Cooling Only/Electric Heat Packaged Rooftop**

**HVAC Guide Specifications**

Size Range: 3 to 15 Nominal Tons



**Section      Description**

**23 06 80      Schedules for Decentralized HVAC Equipment**

- 23 06 80.13      Decentralized Unitary HVAC Equipment Schedule
- 23 06 80.13.A.    Rooftop unit schedule
  - 1. Schedule is per the project specification requirements.

**23 07 16      HVAC Equipment Insulation**

- 23 07 16.13      Decentralized, Rooftop Units:
  - 23 07 16.13.A.    Evaporator fan compartment:
    - 1. Interior cabinet surfaces shall be insulated with a minimum 1/2-in. thick, minimum 1 1/2 lb density, flexible fiberglass insulation bonded with a phenolic binder, neoprene coated on the air side.
    - 2. Insulation and adhesive shall meet NFPA 90A requirements for flame spread and smoke generation.
  - 23 07 16.13.B.    Electric heat compartment:
    - 1. Aluminum foil-faced fiberglass insulation shall be used.
    - 2. Insulation and adhesive shall meet NFPA 90A requirements for flame spread and smoke generation.

**23 09 13      Instrumentation and Control Devices for HVAC**

- 23 09 13.23      Sensors and Transmitters
  - 23 09 13.23.A.    Thermostats
    - 1. Thermostat must
      - a. energize both “W” and “G” when calling for heat.
      - b. have capability to energize 2 different stages of cooling, and 2 different stages of heating.
      - c. include capability for occupancy scheduling.

**23 09 23      Direct-digital Control system for HVAC**

- 23 09 23.13      Decentralized, Rooftop Units:
  - 23 09 23.13.A.    PremierLink controller
    - 1. Shall be ASHRAE 62-2001 compliant.
    - 2. Shall accept 18-32VAC input power.
    - 3. Shall have an operating temperature range from -40°F (-40°C) to 158°F (70°C), 10% - 95% RH (non-condensing).
    - 4. Shall include an integrated economizer controller to support an economizer with 4 to 20 mA actuator input and no microprocessor controller.
    - 5. Controller shall accept the following inputs: space temperature, setpoint adjustment, outdoor air temperature, indoor air quality, outdoor air quality, indoor relative humidity, compressor lock-out, fire shutdown, enthalpy, fan status, remote time clock/door switch.
    - 6. Shall accept a CO<sub>2</sub> sensor in the conditioned space, and be Demand Control Ventilation (DCV) ready.
    - 7. Shall provide the following outputs: Economizer, fan, cooling stage 1, cooling stage 2, heat stage 1, heat stage 2, heat stage 3/ exhaust/ reversing valve/ dehumidify/ occupied.
    - 8. Unit shall provide surge protection for the controller through a circuit breaker.
    - 9. Shall be Internet capable, and communicate at a Baud rate of 38.4K or faster
    - 10. Shall have an LED display independently showing the status of activity on the communication bus, and processor operation.
    - 11. Shall include an EIA-485 protocol communication port, an access port for connection of either a computer or a Carrier technician tool, an EIA-485 port for network communication to intelligent space sensors and displays, and a port to connect an optional LonWorks plug-in communications card.
    - 12. Shall have built-in Carrier Comfort Network (CCN) protocol, and be compatible with other CCN devices, including ComfortLink and ComfortVIEW controllers.
    - 13. Shall have built-in support for Carrier technician tool.

14. Software upgrades will be accomplished by local download. Software upgrades through chip replacements are not allowed.
15. Shall be shock resistant in all planes to 5G peak, 11ms during operation, and 100G peak, 11ms during storage.
16. Shall be vibration resistant in all planes to 1.5G @ 20-300 Hz.
17. Shall support a bus length of 4000 ft max, 60 devices per 1000 ft section, and 1 RS-485 repeater per 1000 ft sections.

23 09 23.13.B. Open protocol, direct digital controller:

1. Shall be ASHRAE 62-2001 compliant.
2. Shall accept 18-30VAC, 50-60Hz, and consumer 15VA or less power.
3. Shall have an operating temperature range from -40°F (-40°C) to 130°F (54°C), 10% - 90% RH (non-condensing).
4. Shall include built-in protocol for BACNET (MS/TP and PTP modes), Modbus (RTU and ASCII), Johnson N2 and LonWorks. LonWorks Echelon processor required for all Lon applications shall be contained in separate communication board.
5. Shall allow access of up to 62 network variables (SNVT). Shall be compatible with all open controllers
6. Baud rate Controller shall be selectable using a dipswitch.
7. Shall have an LED display independently showing the status of serial communication, running, errors, power, all digital outputs, and all analog inputs.
8. Shall accept the following inputs: space temperature, setpoint adjustment, outdoor air temperature, indoor air quality, outdoor air quality, compressor lock-out, fire shutdown, enthalpy switch, and fan status/filter status/humidity/ remote occupancy.
9. Shall provide the following outputs: economizer, fan, cooling stage 1, cooling stage 2, heat stage 1, heat stage 2, heat stage 3/ exhaust/ reversing valve.
10. Shall have built-in surge protection circuitry through solid state polyswitches. Polyswitches shall be used on incoming power and network connections. Polyswitches will return to normal when the "trip" condition clears.
11. Shall have a battery backup capable of a minimum of 10,000 hours of data and time clock retention during power outages.
12. Shall have built-in support for Carrier technician tool.
13. Shall include an EIA-485 protocol communication port, an access port for connection of either a computer or a Carrier technician tool, an EIA-485 port for network communication to intelligent space sensors and displays, and a port to connect an optional LonWorks communications card.
14. Software upgrades will be accomplished by either local or remote download. No software upgrades through chip replacements are allowed.

**23 09 33 Electric and Electronic Control System for HVAC**

23 09 33.13 Decentralized, Rooftop Units:

23 09 33.13.A. General:

1. Shall be complete with self-contained low-voltage control circuit protected by a resettable circuit breaker on the 24-v transformer side. Transformer shall have 75VA capability.
2. Shall utilize color-coded wiring.
3. Shall include a central control terminal board to conveniently and safely provide connection points for vital control functions such as: smoke detectors, phase monitor, economizer, thermostat, DDC control options, and low and high pressure switches.
4. Unit shall include a minimum of one 8-pin screw terminal connection board for connection of control wiring.

23 09 33.23.B. Safeties:

1. Compressor over-temperature, over current.
2. Low pressure switch.
  - a. Units with 2 compressors shall have different sized connectors for the circuit 1 and circuit 2 low and high pressure switches. They shall physically prevent the cross-wiring of the safety switches between circuits 1 and 2.
  - b. Low pressure switch shall use different color wire than the high pressure switch. The purpose is to assist the installer and service technician to correctly wire and or troubleshoot the rooftop unit.
3. High pressure switch.
  - a. Units with 2 compressors shall have different sized connectors for the circuit 1 and circuit 2 low and high pressure switches. They shall physically prevent the cross-wiring of the safety switches between circuits 1 and 2.

b. High pressure switch shall use different color wire than the low pressure switch. The purpose is to assist the installer and service technician to correctly wire and or troubleshoot the rooftop unit.

4. Automatic reset, motor thermal overload protector.

### **23 09 93 Sequence of Operations for HVAC Controls**

23 09 93.13 Decentralized, Rooftop Units:

23 09 93.13 INSERT SEQUENCE OF OPERATION

### **23 40 13 Panel Air Filters**

23 40 13.13 Decentralized, Rooftop Units:

23 40 13.13.A. Standard filter section

1. Shall consist of factory-installed, low velocity, throwaway 2-in. thick fiberglass filters of commercially available sizes.
2. Unit shall use only one filter size. Multiple sizes are not acceptable.
3. Filters shall be accessible through an access panel with “no-tool” removal as described in the unit cabinet section of this specification (23 81 19.13.H).

### **23 81 19 Self-Contained Air Conditioners**

23 81 19.13 Small-Capacity Self-Contained Air Conditioners (50TC\*\*04-16)

23 81 19.13.A. General

1. Outdoor, rooftop mounted, electrically controlled, heating and cooling unit utilizing a(n) hermetic scroll compressor(s) for cooling duty and gas combustion for heating duty.
2. Factory assembled, single-piece heating and cooling rooftop unit. Contained within the unit enclosure shall be all factory wiring, piping, controls, and special features required prior to field start-up.
3. Unit shall use environmentally safe, Puron refrigerant.
4. Unit shall be installed in accordance with the manufacturer’s instructions.
5. Unit must be selected and installed in compliance with local, state, and federal codes.

#### **23 81 19.13.B. Quality Assurance**

1. Unit meets ASHRAE 90.1 minimum efficiency requirements.
2. Unit shall be rated in accordance with AHRI Standards 210/240 and 340/360.
3. Unit shall be designed to conform to ASHRAE 15, 2001.
4. Unit shall be UL-tested and certified in accordance with ANSI Z21.47 Standards and UL-listed and certified under Canadian standards as a total package for safety requirements.
5. Insulation and adhesive shall meet NFPA 90A requirements for flame spread and smoke generation.
6. Unit casing shall be capable of withstanding 500-hour salt spray exposure per ASTM B117 (scribed specimen).
7. Unit casing shall be capable of withstanding Federal Test Method Standard No. 141 (Method 6061) 5000-hour salt spray.
8. Unit shall be designed in accordance with ISO 9001:2000, and shall be manufactured in a facility registered by ISO 9001:2000.
9. Roof curb shall be designed to conform to NRCA Standards.
10. Unit shall be subjected to a completely automated run test on the assembly line. The data for each unit will be stored at the factory, and must be available upon request.
11. Unit shall be designed in accordance with UL Standard 1995, including tested to withstand rain.
12. Unit shall be constructed to prevent intrusion of snow and tested to prevent snow intrusion into the control box up to 40 mph.
13. Unit shake tested to assurance level 1, ASTM D4169 to ensure shipping reliability.
14. High Efficient Motors listed shall meet section 313 of the Energy Independence and Security Act of 2007 (EISA 2007).

#### **23 81 19.13.C. Delivery, Storage, and Handling**

1. Unit shall be stored and handled per manufacturer’s recommendations.
2. Lifted by crane requires either shipping top panel or spreader bars.
3. Unit shall only be stored or positioned in the upright position.

#### **23 81 19.13.D. Project Conditions**

1. As specified in the contract.

#### **23 81 19.13.E. Project Conditions**

1. As specified in the contract.

### **23 81 19.13.F. Operating Characteristics**

1. Unit shall be capable of starting and running at 115°F (46°C) ambient outdoor temperature, meeting maximum load criteria of AHRI Standard 210/240 or 340/360 at ± 10% voltage.
2. Compressor with standard controls shall be capable of operation down to 40°F (4°C), ambient outdoor temperatures. Accessory winter start kit is necessary if mechanically cooling at ambient temperatures down to 25°F (-4°C).
3. Unit shall discharge supply air vertically or horizontally as shown on contract drawings.
4. Unit shall be factory configured for vertical supply & return configurations.
5. Unit shall be field convertible from vertical to horizontal airflow on all models. No special kit required on 04-14 models. Supply duct kit required for 16 size model only.
6. Unit shall be capable of mixed operation: vertical supply with horizontal return or horizontal supply with vertical return.

### **23 81 19.13.G. Electrical Requirements**

1. Main power supply voltage, phase, and frequency must match those required by the manufacturer.

### **23 81 19.13.H. Unit Cabinet**

1. Unit cabinet shall be constructed of galvanized steel, and shall be bonderized and coated with a pre-painted baked enamel finish on all externally exposed surfaces.
2. Unit cabinet exterior paint shall be: film thickness, (dry) 0.003 inches minimum, gloss (per ASTM D523, 60°F): 60, Hardness: H-2H Pencil hardness.
3. Evaporator fan compartment interior cabinet insulation shall conform to AHRI Standards 210/240 or 340/360 minimum exterior sweat criteria. Interior surfaces shall be insulated with a minimum 1/2-in. thick, 1 lb density, flexible fiberglass insulation, neoprene coated on the air side. Aluminum foil-faced fiberglass insulation shall be used in the heat compartment.
4. Base of unit shall have a minimum of four locations for thru-the-base gas and electrical connections (factory installed or field installed), standard.
5. Base Rail
  - a. Unit shall have base rails on a minimum of 2 sides.
  - b. Holes shall be provided in the base rails for rigging shackles to facilitate maneuvering and overhead rigging.
  - c. Holes shall be provided in the base rail for moving the rooftop by fork truck.
  - d. Base rail shall be a minimum of 16 gauge thickness.
6. Condensate pan and connections:
  - a. Shall be a sloped condensate drain pan made of a non-corrosive material.
  - b. Shall comply with ASHRAE Standard 62.
  - c. Shall use a 3/4" -14 NPT drain connection, possible either through the bottom or end of the drain pan. Connection shall be made per manufacturer's recommendations.
7. Top panel:
  - a. Shall be a single piece top panel on 04 thru 12 sizes, two piece on 14 and 16 size.
8. Electrical Connections
  - a. All unit power wiring shall enter unit cabinet at a single, factory-prepared, knockout location.
  - b. Thru-the-base capability
    - (1.) Standard unit shall have a thru-the-base electrical location(s) using a raised, embossed portion of the unit basepan.
    - (2.) Optional, factory-approved, water-tight connection method must be used for thru-the-base electrical connections.
    - (3.) No basepan penetration, other than those authorized by the manufacturer, is permitted.
9. Component access panels (standard)
  - a. Cabinet panels shall be easily removable for servicing.
  - b. Unit shall have one factory installed, tool-less, removable, filter access panel.
  - c. Panels covering control box, indoor fan, indoor fan motor, gas components (where applicable), and compressors shall have molded composite handles.
  - d. Handles shall be UV modified, composite. permanently attached, and recessed into the panel.
  - e. Screws on the vertical portion of all removable access panel shall engage into heat resistant, molded composite collars.
  - f. Collars shall be removable and easily replaceable using manufacturer recommended parts.

**23 81 19.13.I. N/A**

**23 81 19.13.J. Coils**

1. Standard Aluminum fin - Copper Tube Coils:
  - a. Standard evaporator and condenser coils shall have aluminum lanced plate fins mechanically bonded to seamless internally grooved copper tubes with all joints brazed.
  - b. Evaporator coils shall be leak tested to 150 psig, pressure tested to 450 psig, and qualified to UL 1995 burst test at 1775 psig.
  - c. Condenser coils shall be leak tested to 150 psig, pressure tested to 650 psig, and qualified to UL 1995 burst test at 1980 psig.
2. Optional Pre-coated aluminum-fin condenser coils (3 Phase Models Only):
  - a. Shall have a durable epoxy-phenolic coating to provide protection in mildly corrosive coastal environments.
  - b. Coating shall be applied to the aluminum fin stock prior to the fin stamping process to create an inert barrier between the aluminum fin and copper tube.
  - c. Epoxy-phenolic barrier shall minimize galvanic action between dissimilar metals.
3. Optional Copper-fin evaporator and condenser coils (3 Phase Models Only):
  - a. Shall be constructed of copper fins mechanically bonded to copper tubes and copper tube sheets.
  - b. Galvanized steel tube sheets shall not be acceptable.
  - c. A polymer strip shall prevent coil assembly from contacting the sheet metal coil pan to minimize potential for galvanic corrosion between coil and pan.
4. Optional E-coated aluminum-fin evaporator and condenser coils (3 Phase Models Only):
  - a. Shall have a flexible epoxy polymer coating uniformly applied to all coil surface areas without material bridging between fins.
  - b. Coating process shall ensure complete coil encapsulation of tubes, fins and headers.
  - c. Color shall be high gloss black with gloss per ASTM D523-89.
  - d. Uniform dry film thickness from 0.8 to 1.2 mil on all surface areas including fin edges.
  - e. Superior hardness characteristics of 2H per ASTM D3363-92A and cross-hatch adhesion of 4B-5B per ASTM D3359-93.
  - f. Impact resistance shall be up to 160 in.-lb (ASTM D2794-93).
  - g. Humidity and water immersion resistance shall be up to minimum 1000 and 250 hours respectively (ASTM D2247-92 and ASTM D870-92).
  - h. Corrosion durability shall be confirmed through testing to be no less than 1000 hours salt spray per ASTM B117-90.
5. Standard All Aluminum Novation Coils:
  - a. Standard condenser coils shall have all aluminum Novation Heat Exchanger Technology design consisting of aluminum multi port flat tube design and aluminum fin. Coils shall be a furnace brazed design and contain epoxy lined shrink wrap on all aluminum to copper connections.
  - b. Condenser coils shall be leak tested to 150 psig, pressure tested to 650 psig, and qualified to UL 1995 burst test at 1980 psig.
6. Optional E-coated aluminum-fin, aluminum tube condenser coils:
  - a. Shall have a flexible epoxy polymer coating uniformly applied to all coil external surface areas without material bridging between fins or louvers.
  - b. Coating process shall ensure complete coil encapsulation, including all exposed fin edges.
  - c. E-coat thickness of 0.8 to 1.2 mil with top coat having a uniform dry film thickness from 1.0 to 2.0 mil on all external coil surface areas, including fin edges, shall be provided.
  - d. Shall have superior hardness characteristics of 2H per ASTM D3363-00 and cross-hatch adhesion of 4B-5B per ASTM D3359-02.
  - e. Shall have superior impact resistance with no cracking, chipping or peeling per NSF/ANSI 51-2002 Method 10.2.

**23 81 19.13.K. Refrigerant Components**

1. Refrigerant circuit shall include the following control, safety, and maintenance features:
  - a. Fixed orifice metering system shall prevent mal-distribution of two-phase refrigerant by including multiple fixed orifice devices in each refrigeration circuit. Each orifice is to be optimized to the coil circuit it serves.
  - b. Refrigerant filter drier.
  - c. Service gauge connections on suction and discharge lines.
  - d. Pressure gauge access through a specially designed access port in the top panel of the unit.

2. There shall be gauge line access port in the skin of the rooftop, covered by a black, removable plug.
  - a. The plug shall be easy to remove and replace.
  - b. When the plug is removed, the gauge access port shall enable maintenance personnel to route their pressure gauge lines.
  - c. This gauge access port shall facilitate correct and accurate condenser pressure readings by enabling the reading with the compressor access panel on.
  - d. The plug shall be made of a leak proof, UV-resistant, composite material.
3. Compressors
  - a. Unit shall use one fully hermetic, scroll compressor for each independent refrigeration circuit.
  - b. Compressor motors shall be cooled by refrigerant gas passing through motor windings.
  - c. Compressors shall be internally protected from high discharge temperature conditions.
  - d. Compressors shall be protected from an over-temperature and over-amperage conditions by an internal, motor overload device.
  - e. Compressor shall be factory mounted on rubber grommets.
  - f. Compressor motors shall have internal line break thermal, current overload and high pressure differential protection.
  - g. Crankcase heaters shall not be required for normal operating range, unless provided by compressor manufacturer due to refrigerant charge limits.

**23 81 19.13.L. Filter Section**

1. Filters access is specified in the unit cabinet section of this specification.
2. Filters shall be held in place by a pivoting filter tray, facilitating easy removal and installation.
3. Shall consist of factory-installed, low velocity, throw-away 2-in. thick fiberglass filters.
4. Filters shall be standard, commercially available sizes.
5. Only one size filter per unit is allowed.

**23 81 19.13.M. Evaporator Fan and Motor**

1. Evaporator fan motor:
  - a. Shall have permanently lubricated bearings.
  - b. Shall have inherent automatic-reset thermal overload protection or circuit breaker.
  - c. Shall have a maximum continuous bhp rating for continuous duty operation; no safety factors above that rating shall be required.
2. Belt-driven Evaporator Fan:
  - a. Belt drive shall include an adjustable pitch motor pulley.
  - b. Shall use sealed, permanently lubricated ball-bearing type.
  - c. Blower fan shall be double-inlet type with forward-curved blades.
  - d. Shall be constructed from steel with a corrosion resistant finish and dynamically balanced.

**23 81 19.13.N. Condenser Fans and Motors**

1. Condenser fan motors:
  - a. Shall be a totally enclosed motor.
  - b. Shall use permanently lubricated bearings.
  - c. Shall have inherent thermal overload protection with an automatic reset feature.
  - d. Shall use a shaft-down design on 04 to 12 and 16 size models and shaft-up design on 14 size with rain shield.
2. Condenser Fans:
  - a. Shall be a direct-driven propeller type fan.
  - b. Shall have galvalum blades riveted to corrosion-resistant steel spiders and shall be dynamically balanced.

**23 81 19.13.O. Special Features, Options and Accessories**

1. Staged Air Volume System (SAV) for 2-stage cooling models only.
  - a. Evaporator fan motor:
    - (1.) Shall have permanently lubricated bearings.
    - (2.) Shall have a maximum continuous bhp rating for continuous duty operation; no safety factors above that rating.
    - (3.) Shall be Variable Frequency duty and 2-speed control.
    - (4.) Shall contain motor shaft grounding ring to prevent electrical bearing fluting damage by safely diverting harmful shaft voltages and bearing currents to ground.



2. Variable Frequency Drive (VFD). Only available on 2-speed indoor fan motor option (SAV):
  - a. Shall be installed inside the unit cabinet, mounted, wired and tested.
  - b. Shall contain Electromagnetic Interference (EMI) frequency protection.
  - c. Insulated Gate Bi-Polar Transistors (IGBT) used to produce the output pulse width modulated (PWM) waveform, allowing for quiet motor operation.
  - d. Self diagnostics with fault and power code LED indicator. Field accessory Display Kit available for further diagnostics and special setup applications.
  - e. RS485 capability standard.
  - f. Electronic thermal overload protection.
  - g. 5% swinging chokes for harmonic reduction and improved power factor.
  - h. All printed circuit boards shall be conformal coated.
3. Standard Integrated Economizers (Factory installed on 3 Phase Models Only. Field installed on all 3 and 1 Phase Models):
  - a. Integrated, gear-driven opposing modulating blade design type capable of simultaneous economizer and compressor operation.
  - b. Independent modules for vertical or horizontal return configurations shall be available. Vertical return modules shall be available as a factory installed option.
  - c. Damper blades shall be galvanized steel with composite gears. Plastic or composite blades on intake or return shall not be acceptable.
  - d. Shall include all hardware and controls to provide free cooling with outdoor air when temperature and/or humidity are below setpoints.
  - e. Shall be equipped with gear driven dampers for both the outdoor ventilation air and the return air for positive air stream control.
  - f. Standard models shall be equipped with low-leakage dampers, not to exceed 2% leakage at 1 in. wg pressure differential. Economizer controller on electromechanical units shall be Honeywell W7212 that provides:
    - (1.) Combined minimum and DCV maximum damper position potentiometers with compressor staging relay.
    - (2.) Functions with solid state analog enthalpy or dry bulb changeover control sensing.
    - (3.) Contain LED indicates for:
      - When free cooling is available
      - When module is in DCV mode
      - When exhaust fan contact is closed
  - g. Ultra low leak EconoMi\$er X system shall be available on models with SAV 2-speed Variable Frequency Drive (VFD) systems. Only available on 2-speed indoor fan motor systems with electromechanical controls or RTU Open.
    - (1.) Maximum damper leakage rate to be equal to or less than 4.0 cfm/sq. ft. at 1.0 in. w.g., meeting or exceeding ASHRAE 90.1 requirements. Economizer controller on electromechanical units shall be Honeywell W7220 that provides:
      - (2.) 2-line LCD interface screen for setup, configuration and troubleshooting
      - (3.) On-board fault detection and diagnostics
      - (4.) Sensor failure loss of communication identification
      - (5.) Automatic sensor detection
      - (6.) Capabilities for use with multiple-speed indoor fan systems
      - (7.) Utilize digital sensors: Dry bulb and Enthalpy
  - h. Shall be capable of introducing up to 100% outdoor air.
  - i. Shall be equipped with a barometric relief damper capable of relieving up to 100% return air.
  - j. Shall be designed to close damper(s) during loss-of-power situations with spring return built into motor.
  - k. Dry bulb outdoor air temperature sensor shall be provided as standard. Outdoor air sensor setpoint shall be adjustable and shall range from 40 to 100° F / 4 to 38° C. Additional sensor options shall be available as accessories.
  - l. The economizer controller shall also provide control of an accessory power exhaust unit function. Factory set at 100%, with a range of 0% to 100%.
  - m. The economizer shall maintain minimum airflow into the building during occupied period and provide design ventilation rate for full occupancy. A remote potentiometer may be used to override the damper setpoint.

- n. Dampers shall be completely closed when the unit is in the unoccupied mode.
  - o. Economizer controller shall accept a 2-10 Vdc CO<sub>2</sub> sensor input for IAQ/DCV control. In this mode, dampers shall modulate the outdoor air damper to provide ventilation based on the sensor input.
  - p. Compressor lockout sensor shall open at 35°F (2°C) and close closes at 50°F (10°C).
  - q. Actuator shall be direct coupled to economizer gear. No linkage arms or control rods shall be acceptable.
  - r. Economizer controller shall provide indications when in free cooling mode, in the DCV mode, or the exhaust fan contact is closed.
4. Two-Position Damper (Factory installed on 3 Phase Models Only. Field installed on all 3 and 1 Phase Models)
    - a. Damper shall be a Two-Position Damper. Damper travel shall be from the full closed position to the field adjustable %-open setpoint.
    - b. Damper shall include adjustable damper travel from 25% to 100% (full open).
    - c. Damper shall include single or dual blade, gear driven dampers and actuator motor.
    - d. Actuator shall be direct coupled to damper gear. No linkage arms or control rods shall be acceptable.
    - e. Damper will admit up to 100% outdoor air for applicable rooftop units.
    - f. Damper shall close upon indoor (evaporator) fan shutoff and/or loss of power.
    - g. The damper actuator shall plug into the rooftop unit's wiring harness plug. No hard wiring shall be required.
    - h. Outside air hood shall include aluminum water entrainment filter
  5. Manual damper
    - a. Manual damper package shall consist of damper, air inlet screen, and rain hood which can be preset to admit up to 50% outdoor air for year round ventilation.
  6. Humidi-MiZer Adaptive Dehumidification System (3 Phase Models Only).
    - a. The Humidi-MiZer Adaptive Dehumidification System shall be factory-installed in single stage 50TC04-07 and 2-stage 50TC08-16 models with RTPF (round tube plate fin) condenser coils, and shall provide greater dehumidification of the occupied space by two modes of dehumidification operations beside its normal design cooling mode:
      - (1.) Subcooling mode further subcools the hot liquid refrigerant leaving the condenser coil when both temperature and humidity in the space are not satisfied.
      - (2.) Hot gas reheat mode shall mix a portion of the hot gas from the discharge of the compressor with the hot liquid refrigerant leaving the condenser coil to create a two-phase heat transfer in the system, resulting in a neutral leaving- air temperature when only humidity in the space is not satisfied.
      - (3.) Includes Head Pressure Controller.
  7. Head Pressure Control Package
    - a. Controller shall control coil head pressure by condenser-fan speed modulation or condenser-fan cycling and wind baffles.
    - b. Shall consist of solid-state control and condenser-coil temperature sensor to maintain condensing temperature between 90°F (32°C) and 110°F (43°C) at outdoor ambient temperatures down to -20°F (-29°C).
  8. Condenser Coil Hail Guard Assembly (Factory installed on 3 Phase Models Only. Field installed on all 3 and 1 Phase Models)
    - a. Shall protect against damage from hail.
    - b. Shall be louvered design.
  9. Unit-Mounted, Non-Fused Disconnect Switch (Available on units with MOCPS of 80 amps or less):
    - a. Switch shall be factory-installed, internally mounted.
    - b. National Electric Code (NEC) and UL approved non-fused switch shall provide unit power shutoff.
    - c. Shall be accessible from outside the unit
    - d. Shall provide local shutdown and lockout capability.
  10. Convenience Outlet (3 Phase Models Only):
    - a. Powered convenience outlet.
      - (1.) Outlet shall be powered from main line power to the rooftop unit.
      - (2.) Outlet shall be powered from line side or load side of disconnect by installing contractor, as required by code. If outlet is powered from load side of disconnect, unit electrical ratings shall be UL certified and rated for additional outlet amperage.
      - (3.) Outlet shall be factory-installed and internally mounted with easily accessible 115-v female receptacle.
      - (4.) Outlet shall include 15 amp GFI receptacles with independent fuse protection.

- (5.) Voltage required to operate convenience outlet shall be provided by a factory-installed step-down transformer.
- (6.) Outlet shall be accessible from outside the unit.
- (7.) Outlet shall include a field-installed "Wet in Use" cover.
- b. Non-Powered convenience outlet.
  - (1.) Outlet shall be powered from a separate 115/120v power source.
  - (2.) A transformer shall not be included.
  - (3.) Outlet shall be factory-installed and internally mounted with easily accessible 115-v female receptacle.
  - (4.) Outlet shall include 15 amp GFI receptacles with independent fuse protection.
  - (5.) Outlet shall be accessible from outside the unit.
  - (6.) Outlet shall include a field-installed "Wet in Use" cover.
- 11. Thru-the-Base Connectors:
  - a. Kits shall provide connectors to permit electrical connections to be brought to the unit through the unit basepan.
  - b. Minimum of four connection locations per unit.
- 12. Supply Duct Cover (16 size only):
  - a. Required when field converting the factory standard vertical duct supply to horizontal duct supply configuration. One required per unit.
- 13. Propeller Power Exhaust:
  - a. Power exhaust shall be used in conjunction with an integrated economizer.
  - b. Independent modules for vertical or horizontal return configurations shall be available.
  - c. Horizontal power exhaust is shall be mounted in return ductwork.
  - d. Power exhaust shall be controlled by economizer controller operation. Exhaust fans shall be energized when dampers open past the 0-100% adjustable setpoint on the economizer control.
- 14. Roof Curbs (Vertical):
  - a. Full perimeter roof curb with exhaust capability providing separate air streams for energy recovery from the exhaust air without supply air contamination.
  - b. Formed galvanized steel with wood nailer strip and shall be capable of supporting entire unit weight.
  - c. Permits installation and securing of ductwork to curb prior to mounting unit on the curb.
- 15. Thru-the-Bottom Utility Connectors:
  - a. Kit shall provide connectors to permit gas and electrical connections to be brought to the unit through the basepan.
- 16. Outdoor Air Enthalpy Sensor:
  - a. The outdoor air enthalpy sensor shall be used to provide single enthalpy control. When used in conjunction with a return air enthalpy sensor, the unit will provide differential enthalpy control. The sensor allows the unit to determine if outside air is suitable for free cooling.
- 17. Return Air Enthalpy Sensor:
  - a. The return air enthalpy sensor shall be used in conjunction with an outdoor air enthalpy sensor to provide differential enthalpy control.
- 18. Indoor Air Quality (CO<sub>2</sub>) Sensor:
  - a. Shall be able to provide demand ventilation indoor air quality (IAQ) control.
  - b. The IAQ sensor shall be available in duct mount, wall mount, or wall mount with LED display. The setpoint shall have adjustment capability.
- 19. Smoke detectors (factory-installed only):
  - a. Shall be a Four-Wire Controller and Detector.
  - b. Shall be environmental compensated with differential sensing for reliable, stable, and drift-free sensitivity.
  - c. Shall use magnet-activated test/reset sensor switches.
  - d. Shall have tool-less connection terminal access.
  - e. Shall have a recessed momentary switch for testing and resetting the detector.
  - f. Controller shall include:
    - (1.) One set of normally open alarm initiation contacts for connection to an initiating device circuit on a fire alarm control panel.
    - (2.) Two Form-C auxiliary alarm relays for interface with rooftop unit or other equipment.

- (3.) One Form-C supervision (trouble) relay to control the operation of the Trouble LED on a remote test/reset station.
  - (4.) Capable of direct connection to two individual detector modules.
  - (5.) Can be wired to up to 14 other duct smoke detectors for multiple fan shutdown applications.
20. Winter start kit
- a. Shall contain a bypass device around the low pressure switch.
  - b. Shall be required when mechanical cooling is required down to 25°F (-4°C).
  - c. Shall not be required to operate on an economizer when below an outdoor ambient of 40°F (4°C).
21. Time Guard
- a. Shall prevent compressor short-cycling by providing a 5-minute delay ( $\pm 2$  minutes) before restarting a compressor after shutdown for any reason.
  - b. One device shall be required per compressor.
22. Electric Heat:
- a. Heating Section
    - (1.) Heater element open coil resistance wire, nickel-chrome alloy, 0.29 inches inside diameter, strung through ceramic insulators mounted on metal frame. Coil ends are staked and welded to terminal screw slots.
    - (2.) Heater assemblies are provided with integral fusing for protection of internal heater circuits not exceeding 48 amps each. Auto reset thermo limit controls, magnetic heater contactors (24 v coil) and terminal block all mounted in electric heater control box (minimum 18 ga galvanized steel) attached to end of heater assembly.
23. Disconnect Switch Bracket (16 size only)
- a. Provides a pre-engineered and sized mounting bracket for applications requiring a unit mounted fused and non-fused disconnect of greater than 100 amps. Bracket assures that no damage will occur to coils when mounting with screws and other fasteners.
24. California OSHPD Seismic Certification Label
- a. Units meet the seismic requirements of the International Code Council Evaluation Service (ICC-ES) document AC156 (Acceptance Criteria for Seismic Qualification by Shake-Table Testing of Nonstructural Components and Systems) and per International Building Code (IBC 2009) at an SDS (g) value of 2.00 z/h=1.0, Ip=1.5 and certified by independent structural engineers.
  - b. Units shall include a certification label that meets the CA OSHPD Special Seismic Certification pre-approval labeling requirements on the external chassis of the unit.
25. Hinged Access Panels
- a. Shall provide easy access through integrated quarter turn latches.
  - b. Shall be on major panels of: filters, control box, fan motor and compressor.
26. Display Kit for Variable Frequency Drive
- a. Kit allows the ability to access the VFD controller programs to provide special setup capabilities and diagnostics.
  - b. Kit contains display module, mounting bracket and communication cable.
  - c. Display Kit can be permanently installed in the unit or used on any SAV system VFD controller as needed.