

50TC
Cooling Only/Electric Heat
Packaged Rooftop
Vertical Models
Nominal Tons 15, 17.5, 20, 25, 27.5
Model Sizes 17, 20, 24, 28, 30



Product Data



(Unit shown with economizer and power exhaust.)

C12590



TABLE OF CONTENTS

	PAGE		PAGE
FEATURES AND BENEFITS	3	APPLICATION/SELECTION DATA	26
MODEL NUMBER NOMENCLATURE	4	COOLING CAPACITIES	27
FACTORY OPTIONS & ACCESSORIES	5	STATIC PRESSURE ADDERS	36
AHRI RATING TABLE	9	DAMPER, BAROMETRIC RELIEF & PE PERF	37
MIN-MAX AIRFLOWS CLG & ELECT HEAT	9	FAN PERFORMANCE	38
SOUND PERFORMANCE	9	ELECTRICAL INFO	43
PHYSICAL DATA	10	SEQUENCE OF OPERATION	86
DIMENSIONS	15	GUIDE SPECIFICATIONS	89
OPTIONS & ACCESSORIES WEIGHT ADDERS ...	25		



The 15 to 27.5 ton WeatherMaker Carrier rooftop unit (RTU) was designed by customers for customers. With a newly designed cabinet that integrates “no-strip” screw collars, handled access panels, and more, we’ve made your unit easy to install, easy to maintain and easy to use and reliable.

Easy to install:

These WeatherMaker units are designed for dedicated factory supplied vertical air flow duct configurations. No special field kits are required. Designed to fit on pre-installed curbs by other another manufacturer, these units also fit on past designed Carrier installed curbs with a new certified and authorized adapter curb. This cabinet design also integrates a large control box that gives you room to work and room to mount Carrier accessory controls.

Easy to maintain:

Easy access handles by Carrier provide quick and easy access to all major, normally serviced components. Our “no-strip” screw system has superior holding power and guides screws into position while preventing the screw from stripping the unit’s metal. Take accurate pressure readings by reading condenser pressure with panels in place as compressors are strategically located to eliminate any air bypass.

Easy to use:

The newly designed, central terminal board by Carrier puts all your connections and troubleshooting points in one convenient place, standard. Most low voltage connections are made to the same board and make it easy to find what you’re looking for and easy to access it. Carrier rooftops have high and low pressure switches, a filter drier, and 2-in (51mm) filters standard.

Reliable:

Each unit comes with precision sized and tested scroll compressor that is internally protected from over temperature and pressures. In addition, each refrigerant circuit is further protected with a high pressure and low pressure switch as well as containing a liquid line filter drier. Each unit is factory tested prior to shipment to help ensure units operation once properly installed.

FEATURES AND BENEFITS

- 2-stage cooling capacity with independent circuits and control.
- Round tube/plate fin (RTPF) available on all sizes or NOVATION all aluminum condenser (outdoor) coils available on 17-28 sizes only. Special coil-coating also available for coastal and industrial environments
- EER's up to 11.0.
- IEER's up to 12.2 with single speed indoor fan motor and up to 12.9 with 2-speed/VFD indoor fan motor
- Dedicated vertical air flow duct configuration models. No field kits required.
- Utility connections through the side or bottom. Bottom connections are also in an enclosed environment to help prevent water entry. Field supplied couplings are required.
- Standardized components and control box layout. Standardized components and controls make stocking parts and service easier.
- Scroll compressors on all units. This makes service, stocking parts, replacement, and trouble-shooting easier.
- Proven Acutrol refrigerant metering system.
- Easy-adjust, belt-drive motor available. Motor assembly also contains a fan belt break protection system on all models and reliable pillow block bearing system that allows lubrication thru front of the unit.
- Capable of thru-the-base electrical routing.
- Full range of electric heaters and single point electric kits – pre-engineered and approved for field installation.
- Single-point electrical connection.
- Sloped, composite drain pan sheds water; and won't rust.
- Standardized controls and control box layout. Standardized components and controls make stocking parts and service easier.
- Clean, large, easy to use control box.
- Color-coded wiring.
- Large, laminated wiring and power wiring drawings which are affixed to unit make troubleshooting easy.
- Single, central terminal board for test and wiring connections.
- Fast-access, handled, panels for easy access on normally accessed service panels.
- “No-strip” screw system guides screws into the panel and captures them tightly without stripping the screw, the panel, or the unit.
- Mechanical cooling (115°F to 30°F / 46°C to -1°C) standard on all models. Low ambient controller allows operation down to -20°F / -29°C.
- 2-in (51mm) disposable filters on all units, with 4-in (102mm) filter track - field installed.
- Refrigerant filter-drier on each circuit.
- High and low pressure switches. Added reliability with high pressure switch and low pressure switch.
- Many factory-installed options ranging from air management economizers, 2 position dampers, manual outdoor air dampers, plus convenience outlets, disconnect switch and smoke detectors.
- Factory-installed Humidi-MiZer® adaptive dehumidification system. Available on 17-28 sizes with RTPF condenser coil models only.
- Standard Parts Warranty: 10 year aluminized heat exchanger, 5 year compressor, 3 year NOVATION™ condenser coil, 1 year others.
- Optional Staged Air Volume (SAV) system utilizes a Variable Frequency Drive (VFD) to automatically adjust the indoor fan motor speed between cooling stages. Available on 2-stage cooling models 17-30 with electromechanical controls or RTU Open.

MODEL NUMBER NOMENCLATURE

1	2	3	4	5	6	7	8	9	10	11	12	13	14	15	16	17	18
5	0	T	C	-	D	2	4	A	1	G	6	-	0	A	0	A	0

Product Type

50 = Elect Heat Pkg. Rooftop

Model Series

TC = Standard Efficiency

Heat Size

- = No heat

Refrigerant System Options

D = 2 stage Cooling

E = 2 stg cooling w/Al/Cu cond. coil and with Humidi-MiZer (17-28 sizes w/RTPF)

Cooling Tons (vertical air flow models only)

17 = 15 ton

20 = 17.5 ton

24 = 20 ton

28 = 25 ton

30 = 27.5 ton

Sensor Options

A = None

B = RA Smoke Detector

C = SA Smoke Detector

D = RA + SA Smoke Detector

E = CO₂ Sensor

F = RA Smoke Detector + CO₂

G = SA Smoke Detector + CO₂

H = RA + SA Smoke Detector + CO₂

Indoor Fan Options (vertical air flow models only)

1 = Standard Static Option

2 = Medium Static Option

3 = High Static Option

B = Medium Static High Eff Motor/Vertical Supply, Return, Airflow

C = High Static ; High Eff Motor/Vertical Supply, Return, Airflow

Coil Options

Round Tube Plate Fin (RTPF) (Outdoor-Indoor-Hail Guard)

A = Al/Cu - Al/Cu

B = Pre-coat Al/Cu - Al/Cu

C = E-coat Al/Cu - Al/Cu

D = E-coat AL/Cu - E-coat AL/Cu

E = Cu/Cu - Al/Cu

F = Cu/Cu - Cu/Cu

M = Al/Cu - Al/Cu - Louvered Hail Guard

N = Pre-Coat Al/Cu - Al/Cu - Louvered Hail Guard

P = E-coat Al/Cu - Al/Cu - Louvered

Q = E-coat Al/Cu - E-Coat Al/Cu - Louvered

R = Cu/Cu - Al/Cu - Louvered

S = Cu/Cu - Cu/Cu - Louvered

Novation Coils Only (Outdoor-Indoor-Hail Guard)

G = Al/Al - Al/Cu

H = Al/Al - Cu/Cu

J = Al/Al - E-coat Al/Cu

K = Al/Al E-coat - Al/Cu

L = Al/Al E-coat - E-coat Al/Cu

T = Al/Al - Al/Cu, Louvered Hail Guard

U = Al/Al - Cu/Cu, Louvered Hail Guard

V = Al/Al - E-coat Al/Cu, Louvered Hail Guard

W = Al/Al E-coat - Al/Cu, Louvered

X = Al/Al E-coat - Al/Cu E-coat, Louvered

Packaging

0 = Standard

3 = CA Seismic Compliant

Electrical Options

A = None

C = Non-fused disconnect

G = 2-speed indoor fan (VFD) controller

J = 2-spd contr (VFD) & non-fused disc.

Service Options

0 = None

1 = Un-powered Convenience Outlet

2 = Powered Convenience Outlet

3 = Hinged Panels

4 = Hinged Panels, un-powered C.O.

5 = Hinged Panels, powered C.O.

Intake / Exhaust Options

A = None

B = Temperature Economizer w/Barometric Relief

F = Enthalpy Economizer w/Barometric Relief

K = 2 position Damper

U = Temp Ultra Low Leak Economizer w/Baro Relief

V = Temp Ultra Low Leak Econo w/PE (vertical)

W = Enthalpy Ultra Low Leak Econo w/Baro Relief

X = Enthalpy Ultra Low Leak Econo w/PE (vertical)

Base Unit Controls

0 = Base Electromechanical Controls

1 = PremierLink Controller

2 = RTU Open Multi-Protocol Controller

6 = Electromechanical with 2 speed fan and W7220 Econo controller

Design Revision

- = Factory Design Revision

Voltage

1 = 575/3/60

5 = 208-230/3/60

6 = 460/3/60

Not all possible options can be displayed above - see price pages or contact your Carrier Expert for more details.

Table 1 – FACTORY-INSTALLED OPTIONS AND FIELD-INSTALLED ACCESSORIES

CATEGORY	ITEM	FACTORY INSTALLED OPTION	FIELD INSTALLED ACCESSORY
Cabinet	Hinged Access Panels	X	
	California Seismic Compliant Labeling (17–28 sizes only)	X	
Coil Options	Cu/Cu (indoor) coils	X	
	E–coated indoor & outdoor coils	X	
Humidity Control	Humidi–MiZer Adapt. Dehumidification System (17–28 RTPF)	X	
Condenser Protection	Condenser coil hail guard (louvered design)	X	X
Controls	Thermostats, temperature sensors, and subbases		X
	PremierLink™ DDC communicating controller	X	X
	RTU Open protocol controller	X	
	Smoke detector (supply and/or return air)	X	X
	Time Guard II compressor delay control circuit		X
	Phase Monitor		X
	Carrier Energy Demand System (EDS)		X
Economizers & Outdoor Air Dampers	EconoMi\$er IV (for electro–mechanical controlled RTUs)	X	X
	EconoMi\$er2 (for DDC controlled RTUs)	X	X
	Motorized 2 position outdoor–air damper	X	X
	Manual outdoor–air damper (25%)	X	X
	Barometric relief ¹	X	X
	Power exhaust–centrifugal blower	X	X
	Ultra Low Leak EconoMi\$er X (for 2–speed SAV system only, 17 to 30 sizes with 2 stages of cooling), vertical supply and return air only.	X	X
Economizer Sensors & IAQ Devices	Single dry bulb temperature sensors ²	X	X
	Differential dry bulb temperature sensors ²		X
	Single enthalpy sensors ²	X	X
	Differential enthalpy sensors ²		X
	CO ₂ sensor (wall, duct, or unit mounted) ³	X	X
Electric Heat	Electric Resistance Heaters		X
	Single Point Kit		X
Indoor Motor & Drive	Multiple motor and drive packages	X	
	Staged Air Vol (SAV) system w/VFD controller (2–stage cool only with electrical mechanical and RTU Open controls)	X	
	Display Kit for SAV system with VFD		X
Low Ambient Control	Winter start kit ³		X
	Motormaster head pressure controller ³		X
Power Options	Convenience outlet (powered)	X	
	Convenience outlet (unpowered)	X	
	Non–fused disconnect ⁴	X	
Roof Curbs	Roof curb 14–in (356mm)		X
	Roof curb 24–in (610mm)		X
	Adapter Curb (Adapts to Models – DP/DR/HJ/TM/TJ) ⁵ (17–24)		X

NOTES:

1. Included with economizer.
2. Sensors for optimizing economizer.
3. See application data for assistance.
4. Non–fused disconnect switch cannot be used when unit FLA rating exceeds 200 amps on 208/230 volt and 100 amps on 460/575 volt units. Carrier Packaged RTUBuilder selects this automatically.
5. Not for 48TJE028–028 models using 48DP900041, 48DP900051 or 48DP900061 roofcurbs.

FACTORY OPTIONS AND/OR ACCESSORIES

Economizer (dry-bulb or enthalpy)

Economizers save money. They bring in fresh, outside air for ventilation; and provide cool, outside air to cool your building. This is the preferred method of low-ambient cooling. When coupled to CO₂ sensors, Economizers can provide even more savings by coupling the ventilation air to only that amount required.

Economizers are available, installed and tested by the factory, with either enthalpy or dry-bulb temperature inputs. There are also models for electromechanical as well as direct digital controllers. Additional sensors are available as accessories to optimize the economizers.

Economizers include gravity controlled, barometric relief equalizes building pressure and ambient air pressures. This can be a cost effective solution to prevent building pressurization. If further control of exhaust air is required, a dual centrifugal fan power exhaust system is also available.

CO₂ Sensor

Improves productivity and saves money by working with the economizer to intake only the correct amount of outside air for ventilation. As occupants fill your building, the CO₂ sensor detects their presence through increasing CO₂ levels, and opens the economizer appropriately.

When the occupants leave, the CO₂ levels decrease, and the sensor appropriately closes the economizer. This intelligent control of the ventilation air, called Demand Control Ventilation (DCV) reduces the overall load on the rooftop, saving money.

Smoke Detectors

Trust the experts. Smoke detectors make your application safer and your job easier. Carrier smoke detectors immediately shut down the rooftop unit when smoke is detected. They are available, installed by the factory, for supply air, return air, or both.

Louvered Hail Guards

Sleek, louvered panels protect the condenser coil from hail damage, foreign objects, and incidental contact.

Convenience Outlet (powered or un-powered)

Reduce service and/or installation costs by including a convenience outlet in your specification. Carrier will install this service feature at our factory. Provides a convenient, 15 amp, 115v GFCI receptacle with “Wet in Use” cover. The “powered” option allows the installer to power the outlet from the line side of the disconnect as required by code. The “unpowered” option is to be powered from a separate 115/120v power source.

Non-Fused Disconnect

This OSHA-compliant, factory-installed, safety switch allows a service technician to locally secure power to the rooftop.

Power Exhaust with Barometric Relief

Superior internal building pressure control. This field-installed accessory or factory-installed option may eliminate the need for costly, external pressure control fans.

PremierLink™, DDC Controller

This CCN controller regulates your rooftop’s performance to tighter tolerances and expanded limits, as well as facilitates zoning systems and digital accessories. It also unites your Carrier HVAC equipment together on one, coherent CCN network. The PremierLink can be factory-installed, or easily field-installed. Not available with 2-speed indoor fan motor.

RTU Open Protocol Controller

Connect the rooftop to an existing BAS without needing complicated translators or adapter modules using the RTU Open controller. This new controller speaks the 4 most common building automation system languages (Bacnet, Modbus, N2, and Lonworks). Use this controller when you have an existing BAS.

Time Guard II Control Circuit

This accessory protects your compressor by preventing short-cycling in the event of some other failure, prevents the compressor from restarting for 30 seconds after stopping. Not required with PremierLink®, RTU Open, or authorized commercial thermostats.

Filter or Fan Status Switches

Use these differential pressure switches to detect a filter clog or indoor fan motor failure. When used in conjunction with a compatible unit controller/thermostat, the switches will activate an alarm to warn the appropriate personnel.

Motorized 2-Position Damper

The new Carrier 2-position, motorized outdoor air damper admits up to 100% outside air. Using reliable, gear-driven technology, the 2-position damper opens to allow ventilation air and closes when the rooftop stops, stopping unwanted infiltration.

Manual OA Damper

Manual outdoor air dampers are an economical way to bring in ventilation air. The dampers are available in 25% versions.

FACTORY OPTIONS AND/OR ACCESSORIES (cont.)

Optional Humidi-MiZer Adaptive Dehumidification System

Carrier's Humidi-MiZer adaptive dehumidification system is an all-inclusive factory installed option that can be ordered with any WeatherMaker 50TC17-28 rooftop unit.

This system expands the envelope of operation of Carrier's WeatherMaker rooftop products to provide unprecedented flexibility to meet year round comfort conditions.

The Humidi-MiZer adaptive dehumidification system has the industry's only dual dehumidification mode setting. The Humidi-MiZer system includes two new modes of operation.

The WeatherMaker 50TC17-28 rooftop coupled with the Humidi-MiZer system is capable of operating in normal design cooling mode, subcooling mode, and hot gas reheat mode. Normal design cooling mode is when the unit will operate under its normal sequence of operation by cycling compressors to maintain comfort conditions.

Subcooling mode will operate to satisfy part load type conditions when the space requires combined sensible and a higher proportion of latent load control. Hot Gas Reheat mode will operate when outdoor temperatures diminish and the need for latent capacity is required for sole humidity control. Hot Gas Reheat mode will provide neutral air for maximum dehumidification operation.

Staged Air Volume (SAV) Indoor Fan Speed System

Carrier's Staged Air Volume (SAV) system saves energy and installation time by utilizing a Variable Frequency Drive (VFD) to automatically adjust the indoor fan motor speed in sequence with the units cooling operation. Per ASHRAE 90.1 2010 standard section 6.4.3.10.b, during the first stage of cooling operation the VFD will adjust the fan motor to provide 2/3rd of the total cfm established for the unit. When a call for the second stage of cooling is required, the VFD will allow the total cfm for the unit established (100%). During the heating mode the VFD will allow total design cfm (100%) operation and during the ventilation mode the VFD will allow operation to 2/3rd of total cfm.

Compared to single speed indoor fan motor systems, Carrier's SAV system can save substantial energy, 25%+*, versus single speed indoor fan motor systems.

The VFD used in Carrier's SAV system has soft start capabilities to slowly ramp up the speeds, thus eliminating any high inrush air volume during initial start-up. It also has internal over current protection for the fan motor and a field installed display kit that allows adjustment and in depth diagnostics of the VFD.

This SAV system is available on models with 2-stage cooling operation with electrical mechanical or RTU Open, Multi Protocol controls. Both space sensor and conventional thermostats controls can be used to provide accurate control in any application.

The SAV system is very flexible for initial fan performance set up and adjustment. The standard factory shipped VFD is pre-programmed to automatically stage the fan speed between the first and second stage of cooling. The unit fan performance static pressure and cfm can be easily adjusted using the traditional means of pulley adjustments. The other means to adjust the unit static and cfm performance is to utilize the field installed Display Kit and adjust the frequency and voltage in the VFD to required performance requirements. In either case, once set up, the VFD will automatically adjust the speed between the cooling stage operations.

*Data based on .10 (\$/kWh) in an office application utilizing Carrier's HAP 4.6 simulation software program

Motormaster Head Pressure Controller

The Motormaster motor controller is a low ambient, head pressure controller kit that is designed to maintain the unit's condenser head pressure during periods of low ambient cooling operation. This device should be used as an alternative to economizer free cooling not when economizer usage is either not appropriate or desired. The Motormaster will either cycle the outdoor-fan motors or operate them at reduced speed to maintain the unit operation, depending on the model.

MotorMaster allows cooling operation down to -20°F (-29°C) ambient conditions.

Winter Start Kit

The winter start kit by Carrier extends the low ambient limit of your rooftop to 25°F (-4°C). The kit bypasses the low pressure switch, preventing nuisance tripping of the low pressure switch. Other low ambient precautions may still be prudent.

Alternate Motors and Drives

Some applications need larger horsepower motors, some need more airflow, and some need both. Regardless of the case, your Carrier expert has a factory installed combination to meet your application. A wide selection of motors and pulleys (drives) are available, factory installed, to handle nearly any application.

Thru-the-Base Connections

Thru-the-base provisions/connection points are available as standard with every unit. When bottom connections are required, field furnished couplings are required.

FACTORY OPTIONS AND/OR ACCESSORIES (cont.)

Hinged Access Panels

Allows access to unit's major components with specifically designed hinged access panels. Panels are: filter, control box and fan motor.

Electric Heaters / Single Point Kit

Carrier offers a full-line of field-installed accessory heaters and single point kits when required. The heaters are very easy to use, install and are all pre-engineered and certified.

Carrier Energy Demand System(EDS)

Carrier's wireless automated demand management and demand response controllers can be easily installed onto any packaged rooftop unit. Once installed, the controllers work together like a swarm of bees, intelligently communicating and managing the duty cycles of the units being controlled.

Utilizing patented intelligence, the controllers dramatically reduce peak electrical demand by up to 30 percent in commercial and light industrial properties and allow for effective scheduling of overnight and weekend loads. This platform can easily be installed when a full building automation system is not required.

The Energy Demand System is as easy to install as thermostats, and requires no special training. Every controller has a built-in self-configuring wireless network. The controllers work together to establish a wireless network, eliminating the need for expensive wiring. The secure web portal allows property managers to easily access multiple sites from any internet connection to monitor building performance and reconfigure controllers for demand response or the scheduling of loads.

- Simple, affordable, wireless electrical demand management
- Automated demand response, including Open ADR
- Energy consumption reduction through efficient schedule-based control
- Intelligent, adaptive energy management
- Web-based interface
- Electrical demand reductions
- Reduce energy costs, not comfort

California OSHPD Seismic Certification Label (17-28 sizes)

Units meet the seismic requirements of the International Code Council Evaluation Service (ICC-ES) document AC156 (Acceptance Criteria for Seismic Qualification by Shake-Table Testing of Nonstructural Components and Systems) and per International Building Code (IBC 2009) at an SDS (g) value of 2.00 z/h=1.0, Ip=1.5 and certified by independent structural engineers. A certification label is applied to the unit that meets the CA OSHPD Special Seismic Certification pre-approval labeling requirements on the external chassis of the unit.

Table 2 – AHRI COOLING RATING TABLE 2-STAGE COOLING

UNIT	COOLING STAGES	NOM. CAPACITY (TONS)	NET COOLING CAPACITY (MBH)	TOTAL POWER (kW)	EER	IEER WITH SINGLE SPEED INDOOR MOTOR	IEER WITH 2-SPEED INDOOR MOTOR
17	2	15	202.0	18.4	11.0	12.2	12.9
20	2	17.5	208.0	18.9	11.0	11.9	12.9
24	2	20	242.0	24.2	10.0	10.8	11.9
28	2	25	280.0	28.0	10.0	10.6	11.7
30	2	27.5	330.0	31.7	10.4	10.6	11.7

LEGEND

- AHRI – Air Conditioning, Heating and Refrigeration Institute
- ASHRAE – American Society of Heating, Refrigerating and Air Conditioning, Inc.
- EER – Energy Efficiency Ratio
- IEER – Integrated Energy Efficiency Ratio



Use of the AHRI Certified TM Mark indicates a manufacturer's participation in the program. For verification of certification for individual products, go to www.ahridirectory.org.



NOTES

1. Rated and certified under AHRI Standard 340/360, as appropriate.
2. Ratings are based on:
Cooling Standard: 80°F (27°C) db, 67°F (19°C) wb indoor air temp and 95°F db outdoor air temp.
IEER Standard: A measure that expresses cooling part-load EER efficiency for commercial unitary air conditioning and heat pump equipment on the basis of weighted operation at various load capacities.
3. All 50TC units comply with ASHRAE 90.1 Energy Standard for minimum EER and IEER requirements.
4. Where appropriate, 50TC units comply with US Energy Policy Act. Refer to state and local codes or visit the following website: <http://bcap-energy.org> to determine if compliance with this standard pertains to your state, territory, or municipality.

Table 3 – MINIMUM - MAXIMUM AIRFLOWS (CFM) COOLING AND ELECTRIC HEAT

Model Size	COOLING		Electric Heaters		Nominal KW
	Minimum	Maximum	Minimum	Maximum	
17	4500	7500	4500	7500	25
					50
					75
20	5250	9000	5200	9000	25
					50
					75
24	6000	10000	6000	10000	25
					50
					75
28	7500	12500	7000	12500	25
					50
					75
30	8250	13750	8500	13750	25
					50
					75

Table 4 – SOUND PERFORMANCE TABLE

MODE SIZE	CLG STAGES	OUTDOOR SOUND (dB)									
		A-Wgt	AHRI 370 Rating	63	125	250	500	1000	2000	4000	8000
17	2	84.1	84	92.2	83.9	80.4	81.8	78.7	76.5	72.2	65.4
20	2	84.1	84	92.2	83.9	80.4	81.8	78.7	76.5	72.2	65.4
24	2	86.5	87	95.6	87.5	84.2	84.2	81.7	77.9	73.2	66.3
28	2	85.9	86	97.1	88.3	84.4	83.3	80.7	77.4	73.4	67.3
30	2	85.9	86	97.1	88.3	84.4	83.3	80.7	77.4	73.4	67.3

LEGEND

dB – Decibel



NOTES:

1. Outdoor sound data is measure in accordance with AHRI standard 270–2008.
2. Measurements are expressed in terms of sound power. Do not compare these values to sound pressure values because sound pressure depends on specific environmental factors which normally do not match individual applications. Sound power values are independent of the environment and therefore more accurate.
3. A-weighted sound ratings filter out very high and very low frequencies, to better approximate the response of “average” human ear. A-weighted measurements for Carrier units are taken in accordance with AHRI standard 270–2008.

**Table 5 – PHYSICAL DATA
RTPF (Round Tube/Plate Fin Coil Design)**

(COOLING)

15-27.5 TONS

		50TC–D17	50TC–E17	50TC–D20	50TC–E20
Refrigeration System		RTPF	RTPF	RTPF	RTPF
# Circuits / # Comp. / Type		2 / 2 / Scroll	2 / 2 / Scroll	2 / 2 / Scroll	2 / 2 / Scroll
R–410a charge A/B (lbs)		16.3/17.5	25.9/25.7	16.3/17.5	25.9/25.7
Metering device		Acutrol	TXV	Acutrol	TXV
High–press. Trip / Reset (psig)		630 / 505	630 / 505	630 / 505	630 / 505
Low–press. Trip / Reset (psig)		54 / 117	27 / 44	54 / 117	27 / 44
Evap. Coil					
Material		Cu / Al	Cu / Al	Cu / Al	Cu / Al
Tube Diameter		3/8"	3/8"	3/8"	3/8"
Rows / FPI		4 / 15	4 / 15	4 / 15	4 / 15
total face area (ft ²)		22.00	22.00	22.00	22.00
Condensate drain conn. size		3/4"	3/4"	3/4"	3/4"
Humidimizer Coil					
Material		n/a	Cu / Al	n/a	Cu / Al
Tube Diameter		n/a	3/8"	n/a	3/8"
Rows / FPI		n/a	1 / 17	n/a	1 / 17
total face area (ft ²)		n/a	22.00	n/a	22.00
Evap. fan and motor					
VERTICAL					
Standard Static	Motor Qty / Belt Qty / Driver Type	1 / 1 / Belt	1 / 1 / Belt	1 / 1 / Belt	1 / 1 / Belt
	Max BHP	2.2	2.2	3.3	3.3
	RPM range	514–680	514–680	622–822	622–822
	motor frame size	56	56	56	56
	Fan Qty / Type	2 / Centrifugal	2 / Centrifugal	2 / Centrifugal	2 / Centrifugal
	Fan Diameter (in)	15 x 15	15 x 15	15 x 15	15 x 15
Medium Static	Motor Qty / Belt Qty / Driver Type	1 / 1 / Belt	1 / 1 / Belt	1 / 1 / Belt	1 / 1 / Belt
	Max BHP	3.3	3.3	4.9	4.9
	RPM range	679–863	679–863	713–879	713–879
	motor frame size	56	56	56	56
	Fan Qty / Type	2 / Centrifugal	2 / Centrifugal	2 / Centrifugal	2 / Centrifugal
	Fan Diameter (in)	15 x 15	15 x 15	15 x 15	15 x 15
High Static	Motor Qty / Belt Qty / Driver Type	1 / 1 / Belt	1 / 1 / Belt	n/a	n/a
	Max BHP	4.9	4.9	n/a	n/a
	RPM range	826–1009	826–1009	n/a	n/a
	motor frame size	56	56	n/a	n/a
	Fan Qty / Type	2 / Centrifugal	2 / Centrifugal	n/a	n/a
	Fan Diameter (in)	15 x 15	15 x 15	n/a	n/a
High Static–High Efficiency	Motor Qty / Belt Qty / Driver Type	n/a	n/a	1 / 1 / Belt	1 / 1 / Belt
	Max BHP (208/230/460/575v)	n/a	n/a	6.5/ 6.9/ 7.0/ 8.3	6.5/ 6.9/ 7.0/ 8.3
	RPM range	n/a	n/a	882–1078	882–1078
	motor frame size	n/a	n/a	184T	184T
	Fan Qty / Type	n/a	n/a	2 / Centrifugal	2 / Centrifugal
	Fan Diameter (in)	n/a	n/a	15 x 15	15 x 15

**Table 5 PHYSICAL DATA (cont.)
RTPF (Round Tube/Plate Fin Coil Design)**

(COOLING)

15-27.5 TONS

		50TC-D24	50TC-E24	50TC-D28	50TC-E28	50TC-D30
Refrigeration System		RTPF	RTPF	RTPF	RTPF	RTPF
# Circuits / # Comp. / Type		2 / 2 / Scroll	2 / 2 / Scroll	2 / 2 / Scroll	2 / 2 / Scroll	2 / 2 / Scroll
R-410a charge A/B (lbs)		20.6/14.7	27.9/20.5	19.8/ 20.4	27.9/ 28.9	27.0/ 28.5
Metering device		Acutrol	TXV	Acutrol	TXV	Acutrol
High-press. Trip / Reset (psig)		630 / 505	630 / 505	630 / 505	630 / 505	630 / 505
Low-press. Trip / Reset (psig)		54 / 117	27 / 44	54 / 117	27 / 44	54 / 117
Evap. Coil						
Material		Cu / Al	Cu / Al	Cu / Al	Cu / Al	Cu / Al
Tube Diameter		3/8"	3/8"	3/8"	3/8"	3/8"
Rows / FPI		4 / 15	4 / 15	4 / 15	4 / 15	4 / 15
total face area (ft ²)		22.00	22.00	23.11	23.11	26
Condensate drain conn. size		3/4"	3/4"	3/4"	3/4"	3/4"
Humidimizer Coil						
Material		n/a	Cu / Al	n/a	Cu / Al	n/a
Tube Diameter		n/a	3/8"	n/a	3/8"	n/a
Rows / FPI		n/a	1 / 17	n/a	1 / 17	n/a
total face area (ft ²)		n/a	22.00	n/a	23.11	n/a
Evap. fan and motor						
VERTICAL						
Standard Static	Motor Qty / Belt Qty / Driver Type	1 / 1 / Belt	1 / 1 / Belt	1 / 1 / Belt	1 / 1 / Belt	n/a
	Max BHP	4.9	4.9	4.9	4.9	n/a
	RPM range	690-863	690-863	717-911	717-911	n/a
	motor frame size	56	56	56	56	n/a
	Fan Qty / Type	2 / Centrifugal	2 / Centrifugal	2 / Centrifugal	2 / Centrifugal	n/a
	Fan Diameter (in)	15 x 15	15 x 15	15 x 15	15 x 15	n/a
Standard Static - High Efficiency	Motor Qty / Belt Qty / Driver Type	n/a	n/a	n/a	n/a	1 / 1 / Belt
	Max BHP	n/a	n/a	n/a	n/a	6.5/ 6.9/ 7.0/ 8.3
	RPM range	n/a	n/a	n/a	n/a	751-954
	motor frame size	n/a	n/a	n/a	n/a	184T
	Fan Qty / Type	n/a	n/a	n/a	n/a	2 / Centrifugal
	Fan Diameter (in)	n/a	n/a	n/a	n/a	15 x 15
Medium Static - High Efficiency	Motor Qty / Belt Qty / Driver Type	1 / 1 / Belt	1 / 1 / Belt	1 / 1 / Belt	1 / 1 / Belt	1 / 1 / Belt
	Max BHP (208/230/460/575v)	6.5/ 6.9/ 7.0/ 8.3	6.5/ 6.9/ 7.0/ 8.3	6.5/ 6.9/ 7.0/ 8.3	6.5/ 6.9/ 7.0/ 8.3	10.5/11.9/11.9/11
	RPM range	835-1021	835-1021	913-1116	913-1116	920-1190
	motor frame size	184T	184T	184T	184T	213T
	Fan Qty / Type	2 / Centrifugal	2 / Centrifugal	2 / Centrifugal	2 / Centrifugal	2 / Centrifugal
	Fan Diameter (in)	15 x 15	15 x 15	15 x 15	15 x 15	15 x 15
High Static - High Efficiency	Motor Qty / Belt Qty / Driver Type	1 / 1 / Belt	1 / 1 / Belt	1 / 1 / Belt	1 / 1 / Belt	1 / 2 Belt
	Max BHP (208/230/460/575v)	10.5/11.9/11.9/11	10.5/11.9/11.9/11	10.5/11.9/11.9/11	10.5/11.9/11.9/11	11.9/12.9/12.9/14.1
	RPM range	941-1176	941-1176	941-1176	941-1176	1116-1400
	motor frame size	213T	213T	213T	213T	215T
	Fan Qty / Type	2 / Centrifugal	2 / Centrifugal	2 / Centrifugal	2 / Centrifugal	2 / Centrifugal
	Fan Diameter (in)	15 x 15	15 x 15	15 x 15	15 x 15	15 x 15

**Table 5 PHYSICAL DATA (cont.)
RTPF (Round Tube/Plate Fin Coil Design)**

(COOLING)

15-27.5 TONS

	50TC-D17	50TC-E17	50TC-D20	50TC-E20	50TC-D24	50TC-E24	50TC-D28	50TC-E28	50TC-D30
Cond. Coil (Circuit A)									
Coil type	RTPF	RTPF	RTPF	RTPF	RTPF	RTPF	RTPF	RTPF	RTPF
Coil Length (in)	70	70	70	70	82	82	75	75	95
Coil Height (in)	44	44	44	44	44	44	52	52	52
Rows / FPI	2 / 17	2 / 17	2 / 17	2 / 17	2 / 17	2 / 17	2 / 17	2 / 17	2 / 17
total face area (ft2)	21.4	21.4	21.4	21.4	25.1	25.1	27.1	27.1	34.3
Cond. Coil (Circuit B)									
Coil type	RTPF	RTPF	RTPF	RTPF	RTPF	RTPF	RTPF	RTPF	RTPF
Coil Length (in)	70	70	70	70	57	57	75	75	95
Coil Height (in)	44	44	44	44	44	44	52	52	52
Rows / FPI	2 / 17	2 / 17	2 / 17	2 / 17	2 / 17	2 / 17	2 / 17	2 / 17	2 / 17
total face area (ft2)	21.4	21.4	21.4	21.4	17.4	17.4	27.1	27.1	34.3
Cond. fan / motor									
Qty / Motor drive type	3 / direct	3 / direct	3 / direct	3 / direct	4 / direct	4 / direct	4 / direct	4 / direct	6 / direct
Motor HP / RPM	1/4 / 1100	1/4 / 1100	1/4 / 1100	1/4 / 1100	1/4 / 1100	1/4 / 1100	1/4 / 1100	1/4 / 1100	1/4 / 1100
Fan diameter (in)	22	22	22	22	22	22	22	22	22
Filters									
RA Filter # / size (in)	6 / 20 x 25 x 2	6 / 20 x 25 x 2	6 / 20 x 25 x 2	6 / 20 x 25 x 2	6 / 20 x 25 x 2	6 / 20 x 25 x 2	9 / 16 x 25 x 2	9 / 16 x 25 x 2	9 / 16 x 25 x 2
OA inlet screen # / size (in)	4 / 16 x 25 x 1	4 / 16 x 25 x 1	4 / 16 x 25 x 1	4 / 16 x 25 x 1	4 / 16 x 25 x 1	4 / 16 x 25 x 1	4 / 16 x 25 x 1	4 / 16 x 25 x 1	4 / 16 x 25 x 1

Table 6 – PHYSICAL DATA
Novation - All Aluminum Coil Design

(COOLING)

15-27.5 TONS

Refrigeration System		50TC*17	50TC*20	50TC*24	50TC*28
		MCHX	MCHX	MCHX	MCHX
# Circuits / # Comp. / Type		2 / 2 / Scroll	2 / 2 / Scroll	2 / 2 / Scroll	2 / 2 / Scroll
R-410a charge A/B (lbs)		9.5/12.0	9.5/12.0	14.4/12.5	12.5/13.0
Metering device		Acutrol	Acutrol	Acutrol	Acutrol
High–press. Trip / Reset (psig)		630 / 505	630 / 505	630 / 505	630 / 505
Low–press. Trip / Reset (psig)		54 / 117	54 / 117	54 / 117	54 / 117
Evap. Coil					
Material		Cu / Al	Cu / Al	Cu / Al	Cu / Al
Tube Diameter		3/8"	3/8"	3/8"	3/8"
Rows / FPI		4 / 15	4 / 15	4 / 15	4 / 15
total face area (ft ²)		19.56	19.56	22.00	23.11
Condensate drain conn. size		3/4"	3/4"	3/4"	3/4"
Evap. fan and motor					
VERTICAL					
Standard Static	Motor Qty / Belt Qty / Driver Type	1 / 1 Belt	1 / 1 Belt	1 / 1 Belt	1 / 1 Belt
	Max BHP	2.2	3.3	4.9	4.9
	RPM range	514–680	622–822	690–863	717–911
	motor frame size	56	56	56	56
	Fan Qty / Type	2 / Centrifugal	2 / Centrifugal	2 / Centrifugal	2 / Centrifugal
	Fan Diameter (in)	15 x 15	15 x 15	15 x 15	15 x 15
Medium Static	Motor Qty / Belt Qty / Driver Type	1 / 1 Belt	1 / 1 Belt	1 / 1 Belt	1 / 1 Belt
	Max BHP	3.3	4.9	6.5	6.5
	RPM range	679–863	713–879	835–1021	913–1116
	motor frame size	56	56	184T	184T
	Fan Qty / Type	2 / Centrifugal	2 / Centrifugal	2 / Centrifugal	2 / Centrifugal
	Fan Diameter (in)	15 x 15	15 x 15	15 x 15	15 x 15
High Static	Motor Qty / Belt Qty / Driver Type	1 / 1 Belt	1 / 1 Belt	1 / 1 Belt	1 / 1 Belt
	Max BHP	4.9	6.5	8.7	8.7
	RPM range	826–1009	882–1078	941–1176	941–1176
	motor frame size	56	184T	213T	213T
	Fan Qty / Type	2 / Centrifugal	2 / Centrifugal	2 / Centrifugal	2 / Centrifugal
	Fan Diameter (in)	15 x 15	15 x 15	15 x 15	15 x 15
Medium Static – High Efficiency	Motor Qty / Belt Qty / Driver Type	n/a	n/a	1 / 1 Belt	1 / 1 Belt
	Max BHP (208/230/460/575v)	n/a	n/a	6.5/ 6.9/ 7.0/ 8.3	6.5/ 6.9/ 7.0/ 8.3
	RPM range	n/a	n/a	835–1021	913–1116
	motor frame size	n/a	n/a	184T	184T
	Fan Qty / Type	n/a	n/a	2 / Centrifugal	2 / Centrifugal
	Fan Diameter (in)	n/a	n/a	15 x 15	15 x 15
High Static– High Efficiency	Motor Qty / Belt Qty / Driver Type	n/a	1 / 1 Belt	1 / 1 Belt	1 / 1 Belt
	Max BHP (208/230/460/575v)	n/a	6.5/ 6.9/ 7.0/ 8.3	10.5/11.9/11.9/11	10.5/11.9/11.9/11
	RPM range	n/a	882–1078	941–1176	941–1176
	motor frame size	n/a	184T	213T	213T
	Fan Qty / Type	n/a	2 / Centrifugal	2 / Centrifugal	2 / Centrifugal
	Fan Diameter (in)	n/a	15 x 15	15 x 15	15 x 15

Table 6 PHYSICAL DATA (cont.)
Novation - All Aluminum Coil Design

(COOLING)

15-27.5 TONS

	50TC*17	50TC*20	50TC*24	50TC*28
Cond. Coil (Circuit A)				
Coil type	Novation	Novation	Novation	Novation
Coil Length (in)	70	70	82	75
Coil Height (in)	44	44	44	52
Number of Passes Rows / FPI	2	2	2	2
total face area (ft2)	21.4	21.4	25.1	27.1
Cond. Coil (Circuit B)				
Coil type	Novation	Novation	Novation	Novation
Coil Length (in)	70	70	57	75
Coil Height (in)	44	44	44	52
Rows / FPI	2	2	2	2
total face area (ft2)	21.4	21.4	17.4	27.1
Cond. fan / motor				
Qty / Motor drive type	3 / direct	3 / direct	4 / direct	4 / direct
Motor HP / RPM	1/4 / 1100	1/4 / 1100	1/4 / 1100	1/4 / 1100
Fan diameter (in)	22	22	22	22
Filters				
RA Filter # / size (in)	6 / 20 x 25 x 2	6 / 20 x 25 x 2	6 / 20 x 25 x 2	9 / 16 x 25 x 2
OA inlet screen # / size (in)	4 / 16 x 25 x 1	4 / 16 x 25 x 1	4 / 16 x 25 x 1	4 / 16 x 25 x 1

DIMENSIONS

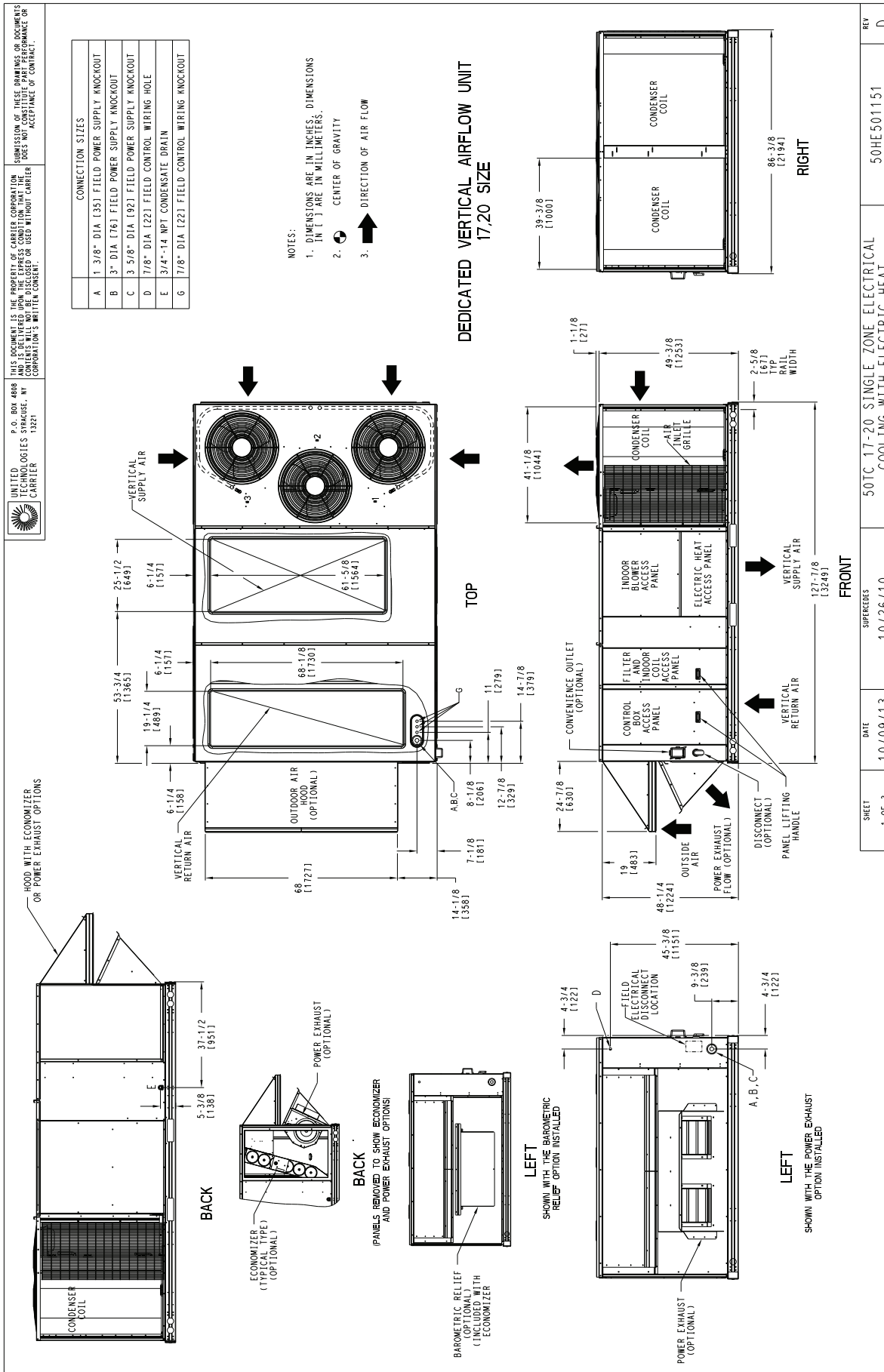



Fig. 1 - Unit Dimensional Drawing – 17 and 20 Size Units

DIMENSIONS (cont.)



UNITED TECHNOLOGIES STRATCOUSE, NY
CARRIER
13221

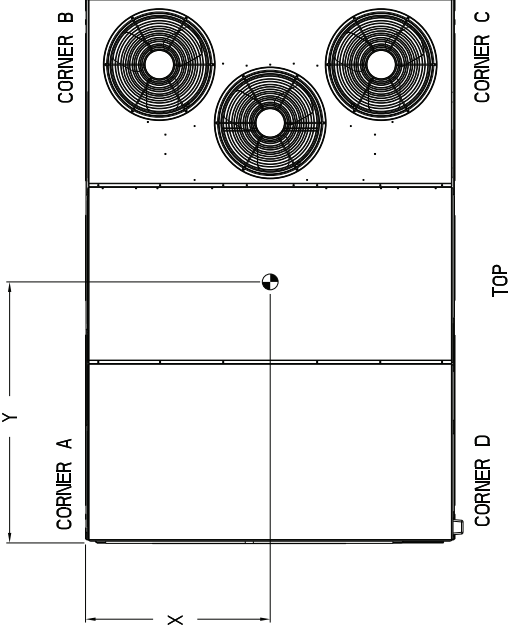
THIS DOCUMENT IS THE PROPERTY OF CARRIER CORPORATION AND IS DELIVERED UPON THE EXPRESS CONDITION THAT THE USER WILL NOT REPRODUCE OR USE WITHOUT CARRIER CORPORATION'S WRITTEN CONSENT.

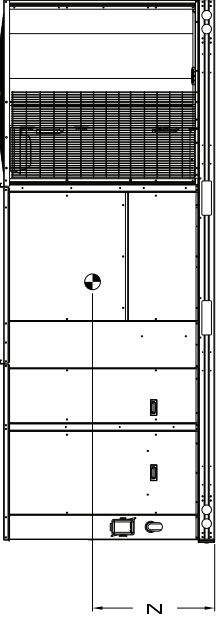
NO PART OF THIS DOCUMENT IS TO BE REPRODUCED OR TRANSMITTED IN ANY FORM OR BY ANY MEANS, ELECTRONIC OR MECHANICAL, INCLUDING PHOTOCOPYING, RECORDING, OR BY ANY INFORMATION STORAGE AND RETRIEVAL SYSTEM, WITHOUT THE WRITTEN PERMISSION OF CARRIER CORPORATION.

REVISIONS OF THESE DRAWINGS OR DIMENSIONS SHALL BE INDICATED BY A REVISION SYMBOL AND A DESCRIPTION OF THE CHANGE. THE USER SHALL BE RESPONSIBLE FOR OBTAINING THE MOST RECENT EDITION OF THESE DRAWINGS OR DIMENSIONS.

UNIT	STD UNIT WEIGHT *		CORNER WEIGHT (A)		CORNER WEIGHT (B)		CORNER WEIGHT (C)		CORNER WEIGHT (D)		C.G.								
	lbs.	kg.	lbs.	kg.	lbs.	kg.	lbs.	kg.	lbs.	kg.	X	Y	Z						
50TC17	1697	771	403	183	412	187	446	203	436	198	44	3/4	11137	164	3/4	11645	16	1/2	1419
50TC20	1712	778	407	185	416	189	450	204	440	200	44	3/4	11137	164	3/4	11645	16	1/2	1419
50TC17	1808	822	415	189	492	224	488	222	412	187	42	29/32	11090	169	1/4	11759	16	1/2	1419
50TC18	1793	815	375	170	419	191	528	240	472	214	48	11219	167	3/8	11711	16	1/2	1419	
50TC20	1823	829	419	190	496	226	493	224	415	189	42	29/32	11090	169	1/4	11759	16	1/2	1419

RTPE - ROUND TUBE, PLATE FIN COPPER/ALUM
MCHX - NOVATION TALUM/ALUM





* STANDARD UNIT WEIGHT IS WITHOUT ELECTRIC HEAT AND WITHOUT PACKAGING. FOR OTHER OPTIONS AND ACCESSORIES, REFER TO THE PRODUCT DATA CATALOG.

SHEET	DATE	SUPERCEDES	REV
3 OF 3	10/09/13	10/26/10	D
		50TC 17-20 SINGLE ZONE ELECTRICAL COOLING WITH ELECTRIC HEAT	50HE501151

Fig. 1 - Unit Dimensional Drawing – 17 and 20 Size Units (cont.)

DIMENSIONS (cont.)

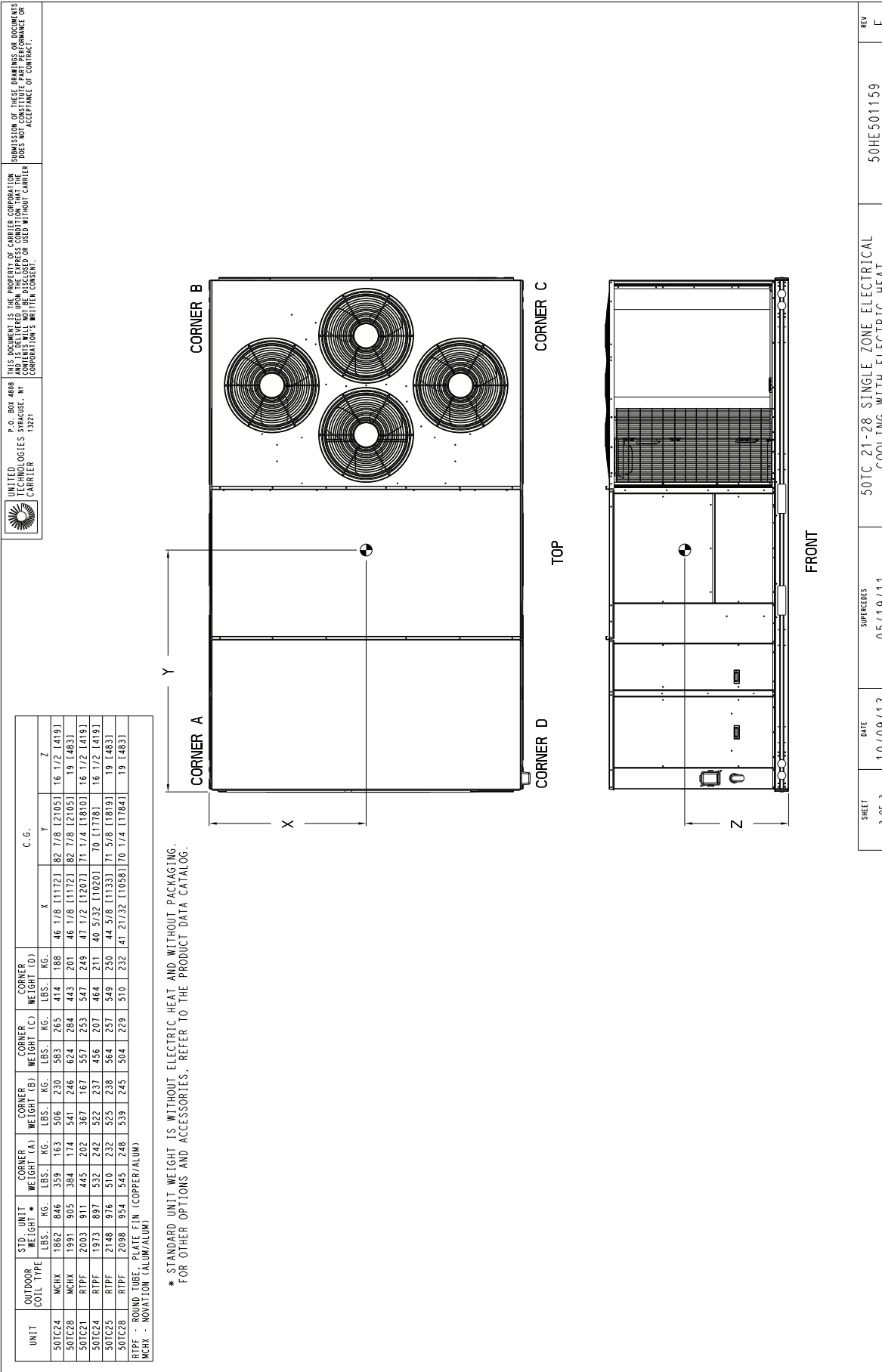


Fig. 2 - Unit Dimensional Drawing – 24 and 28 Size Units (cont.)

DIMENSIONS (cont.)

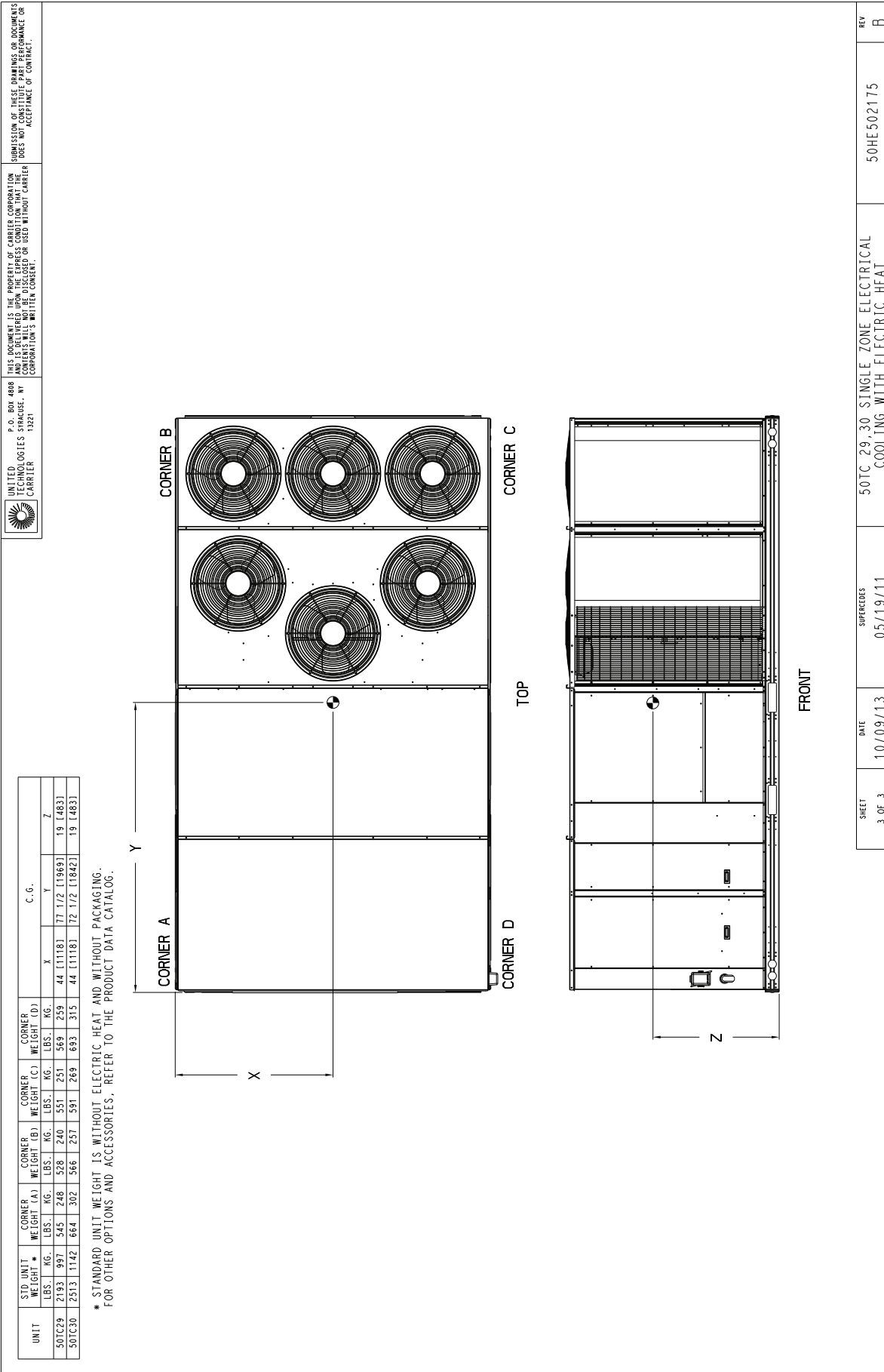
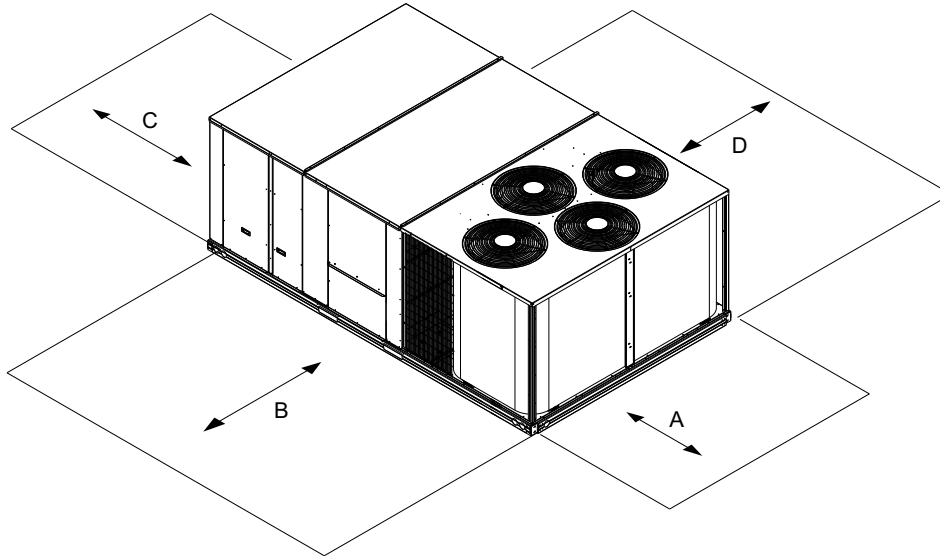


Fig. 3 - Unit Dimensional Drawing – 30 Size Units (cont.)

DIMENSIONS (cont.)



C12392

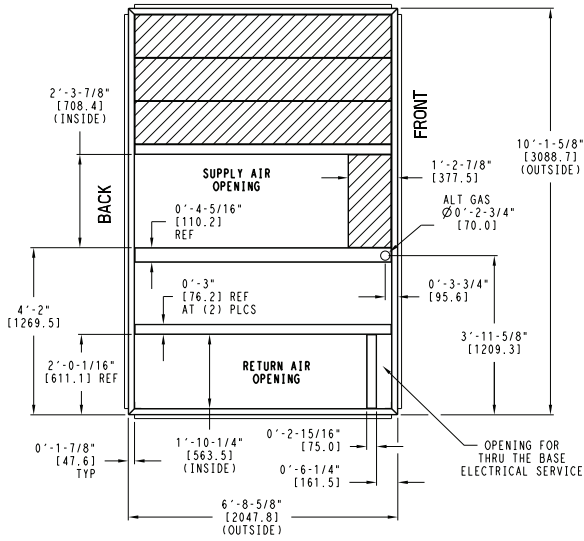
LOCATION	DIMENSION	CONDITION
A	36-in (914 mm)	<ul style="list-style-type: none"> Recommended clearance for air flow and service
B	42-in (1067 mm)	<ul style="list-style-type: none"> Recommended clearance for air flow and service
C	18-in (457 mm)	<ul style="list-style-type: none"> No Convenience Outlet No Economizer No field installed disconnect on economizer hood side (Factory-installed disconnect installed).
	36-in (914 mm)	<ul style="list-style-type: none"> Convenience Outlet installed. Vertical surface behind servicer is electrically non-conductive (e.g.: wood, fiberglass).
	42-in (1067 mm)	<ul style="list-style-type: none"> Convenience Outlet installed. Vertical surface behind servicer is electrically conductive (e.g.: metal, masonry).
	96-in (2438 mm)	<ul style="list-style-type: none"> Economizer and/or Power Exhaust installed. Check for sources of flue products with 10 feet (3 meters) of economizer fresh air intake.
D	42-in (1067 mm)	<ul style="list-style-type: none"> Recommended clearance for service.

NOTE: Unit not designed to have overhead obstruction. Contact Application Engineering for guidance on any application planning overhead obstruction or for vertical clearances.

Fig. 4 - Service Clearance Dimensional Drawing

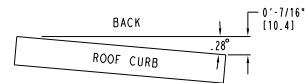
DIMENSIONS (cont.)

UNIT SIZE	"A"	ROOF CURB ACCESSORY
17, 20	1'-2" [356.0] 2'-0" [610.0]	CRRFCURB045A00 CRRFCURB046A00



- NOTES:
- 1 ROOF CURB ACCESSORY IS SHIPPED UNASSEMBLED.
 - 2 DIMENSIONS IN [] ARE IN MILLIMETERS.
 - 3 ROOF CURB GALVANIZED STEEL.
 - 4 ATTACH DUCTWORK TO CURB (FLANGES ON DUCT REST ON CURB)
 - 5 SERVICE CLEARANCE 4 FT ON EACH SIDE

➔ DIRECTION OF AIR FLOW



MAX CURB LEVELING TOLERANCES

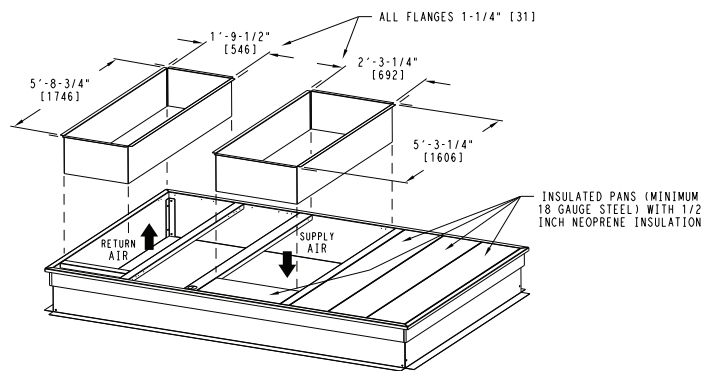
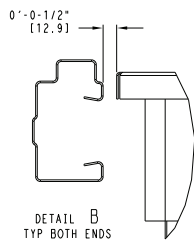
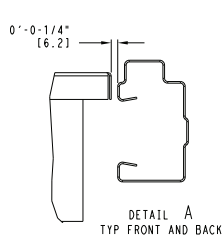
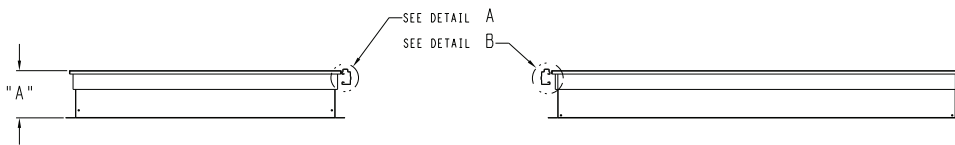
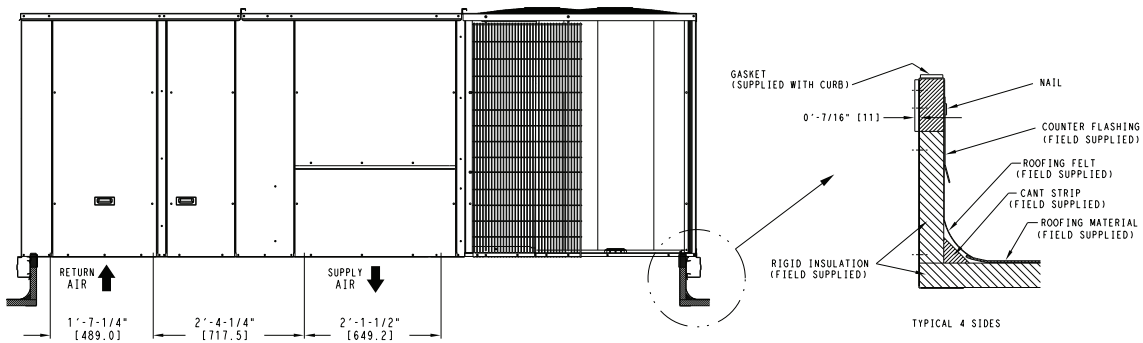
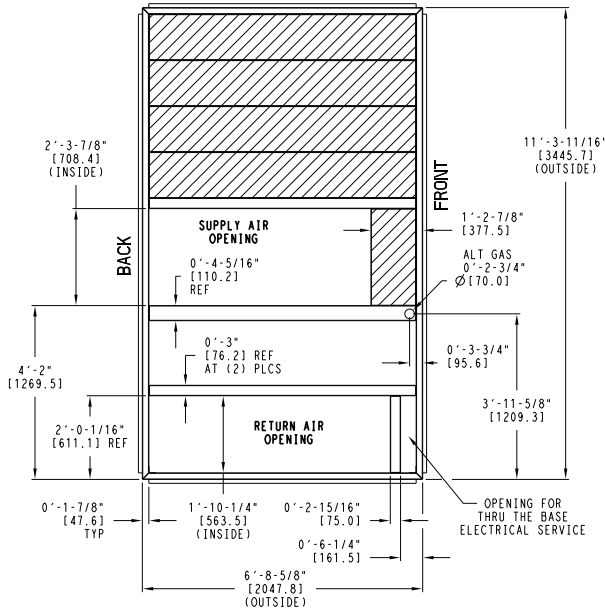


Fig. 5 - Roof Curb Details – 17 and 20 Size Units

C09139A

DIMENSIONS (cont.)

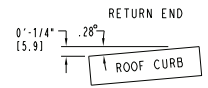
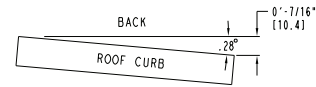
UNIT SIZE	"A"	ROOF CURB ACCESSORY
24, 28	1'-2" [356.0] 2'-0" [610.0]	CRRFCURB047A00 CRRFCURB048A00



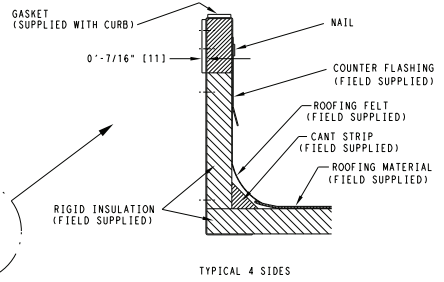
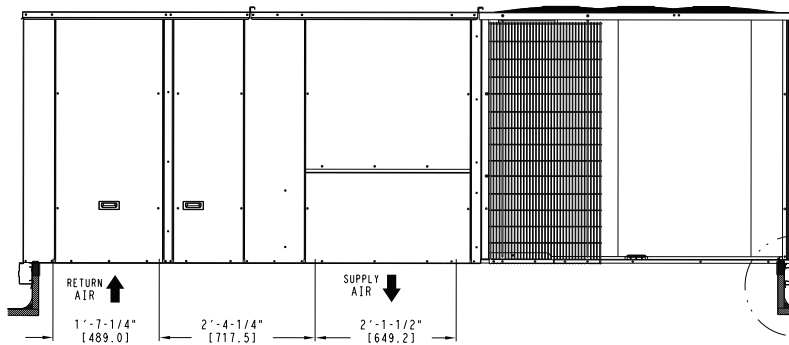
NOTES:

- 1 ROOF CURB ACCESSORY IS SHIPPED UNASSEMBLED.
- 2 DIMENSIONS IN [] ARE IN MILLIMETERS.
- 3 ROOF CURB GALVANIZED STEEL.
- 4 ATTACH DUCTWORK TO CURB (FLANGES ON DUCT REST ON CURB)
- 5 SERVICE CLEARANCE 4 FT ON EACH SIDE

➔ DIRECTION OF AIR FLOW



MAX CURB LEVELING TOLERANCES



TYPICAL 4 SIDES

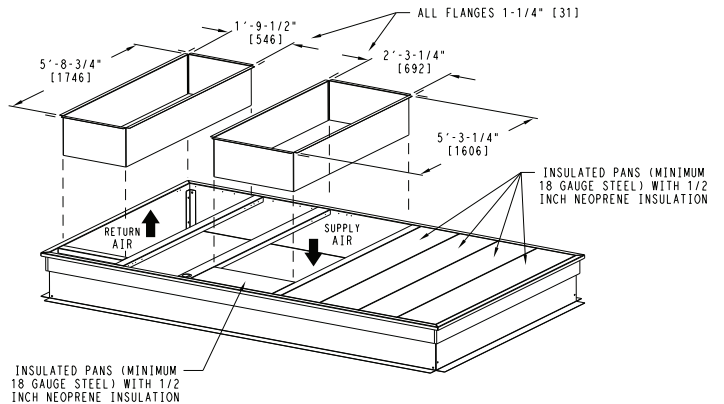
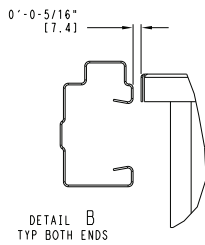
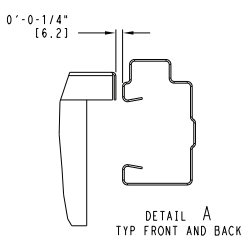
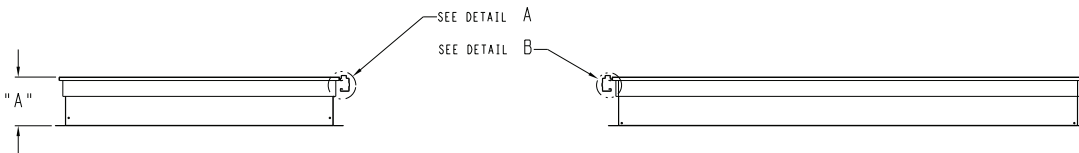
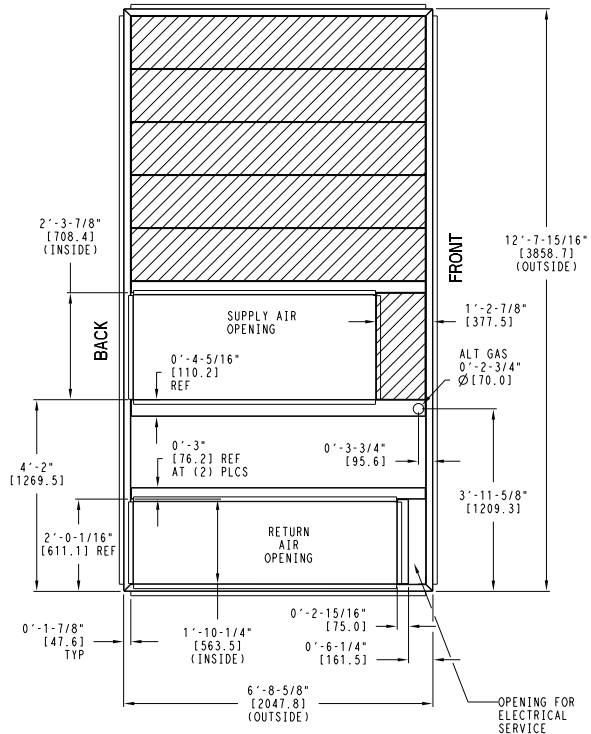


Fig. 6 - Roof Curb Details – 24 and 28 Size Units

C09140A

DIMENSIONS (cont.)

UNIT SIZE	"A"	ROOF CURB ACCESSORY
30	1'-2" [356.0] 2'-0" [610.0]	CRRFCURB049A00 CRRFCURB050A00



- NOTES:
- 1 ROOF CURB ACCESSORY IS SHIPPED UNASSEMBLED.
 - 2 BOLT HEADS TO BE ON INSIDE OF FLANGE. CLEARANCE IS [11] 0-0-7/16" TYP ALL CORNERS.
 - 3 DIMENSIONS IN [] ARE IN MILLIMETERS.
 - 4 ROOF CURB GALVANIZED STEEL.
 - 5 ATTACH DUCTWORK TO CURB (FLANGES ON DUCT REST ON CURB)
 - 6 SERVICE CLEARANCE 4 FT ON EACH SIDE
- ➔ DIRECTION OF AIR FLOW

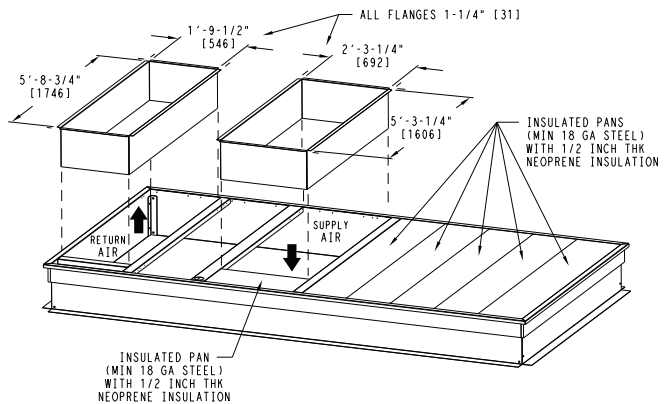
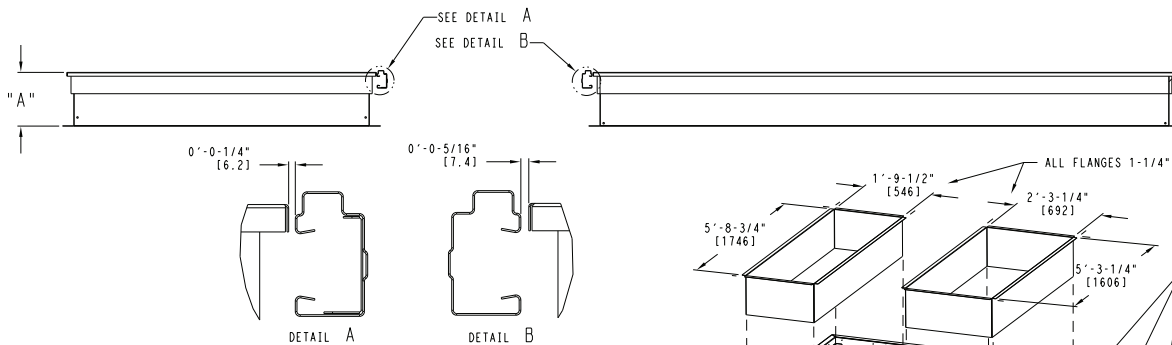
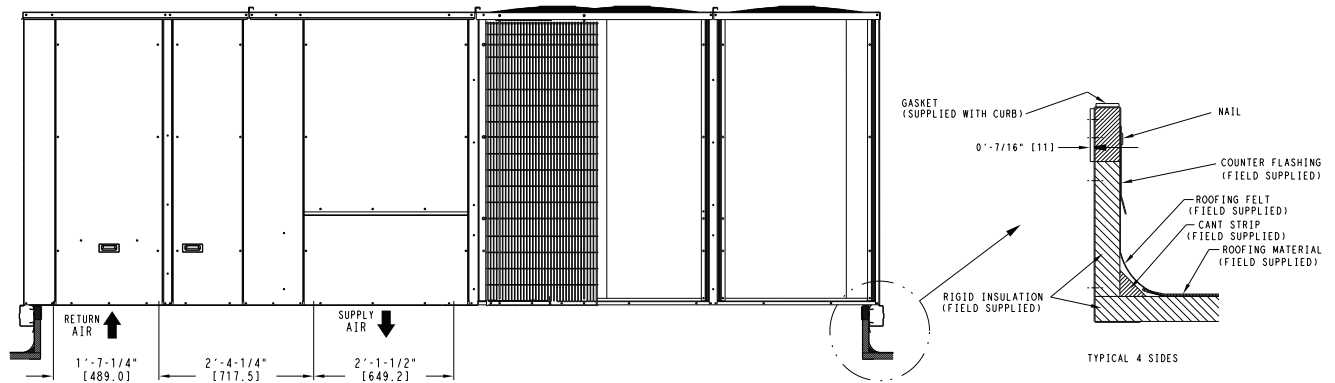
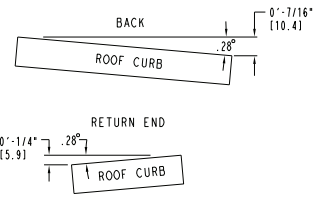


Fig. 7 - Roof Curb Details – 30 Size Unit

C11251

OPTIONS AND ACCESSORIES WEIGHT ADDERS

BASE UNIT WITH OPTIONS AND ACCESSORIES (Weight Adders)	MAX WEIGHT ADDER									
	50TC**17		50TC**20		50TC**24		50TC**28		50TC**30	
	lb	kg	lb	kg	lb	kg	lb	kg	lb	kg
Humidi-MiZer ¹	110	50	110	50	120	55	120	55	---	---
Power Exhaust	125	57	125	57	125	57	125	57	125	57
EconoMi\$er (IV, X, or 2)	246	112	246	112	246	112	246	112	246	112
Cu/Cu Condenser Coil ²	28	13	28	13	30	14	34	15	34	15
Cu/Cu Condenser and Evaporator Coils ²	53	24	53	24	58	26	64	29	64	29
Roof Curb 14-in (356mm)	240	109	240	109	255	116	255	116	255	116
Roof Curb 24-in (610mm)	340	154	340	154	355	161	355	161	355	161
Louvered Hail Guard	60	27	60	27	120	54	150	68	150	68
CO2 sensor	5	2	5	2	5	2	5	2	5	2
Return Smoke Detector	5	2	5	2	5	2	5	2	5	2
Supply Smoke Detector	5	2	5	2	5	2	5	2	5	2
Fan/Filter Status Switch	2	1	2	1	2	1	2	1	2	1
Non-Fused Disconnect	15	7	15	7	15	7	15	7	15	7
Powered Convenience Outlet	35	16	35	16	35	16	35	16	35	16
Non-Powered Convenience Outlet	5	2	5	2	5	2	5	2	5	2
Enthalpy Sensor	2	1	2	1	2	1	2	1	2	1
Differential Enthalpy Sensor	3	1	3	1	3	1	3	1	3	1
Two Position Motorized Damper	50	23	50	23	50	23	65	29	65	29
Manual Damper	35	16	35	16	35	16	40	18	40	18
Field Filter Track 4-in (102mm)	22	10	22	10	22	10	22	10	22	10
MotorMaster Controller	35	16	35	16	35	16	35	16	35	16
Medium Static Motor/Drive	5	2	6	3	6	3	6	3	10	5
High Static Motor/Drive	11	5	12	5	16	7	16	7	20	9
SAV System with VFD	20	9	20	9	20	9	20	9	20	9

1 For Humidi-MiZer add MotorMaster Controller

2 Where available.

--- Not Available

APPLICATION/SELECTION DATA

Min operating ambient temp (cooling):

In mechanical cooling mode, your Carrier rooftop can safely operate down to an outdoor ambient temperature of 30°F (-1°C). It is possible to provide cooling at lower outdoor ambient temperatures by using less outside air, economizers, and/or accessory low ambient kits.

Max operating ambient temp (cooling):

The maximum operating ambient temperature for cooling mode is 115°F (46°C). While cooling operation above 115°F (46°C) may be possible, it could cause either a reduction in performance, reliability, or a protective action by the unit's internal safety devices.

Min and max airflow (cooling mode):

To maintain safe and reliable operation of your rooftop, operate within the cooling airflow limits. Operating above the max may cause blow-off, undesired airflow noise, or airflow related problems with the rooftop unit. Operating below the min may cause problems with coil freeze-up.

Airflow:

All units are draw-through in cooling mode.

Outdoor air application strategies:

Economizers reduce operating expenses and compressor run time by providing a free source of cooling and a means of ventilation to match application changing needs. In fact, they should be considered for most applications. Also, consider the various economizer control methods and their benefits, as well as sensors required to accomplish your application goals. Please contact your local Carrier representative for assistance.

Motor limits, break horsepower (BHP):

Due to Carrier's internal unit design, air path, and specially designed motors, the full horsepower (maximum continuous BHP) band, as listed in Table 5, can be used with the utmost confidence. There is no need for extra safety factors, as Carrier's motors are designed and rigorously tested to use the entire, listed BHP range without either nuisance tripping or premature motor failure.

Sizing a rooftop

Bigger isn't necessarily better. While an air conditioner needs to have enough capacity to meet the load, it doesn't need excess capacity. In fact, having excess capacity typically results in very poor part load performance and humidity control.

Using higher design temperatures than ASHRAE recommends for your location, adding "safety factors" to the calculated load, and rounding up to the next largest unit, are all signs of oversizing air conditioners. Oversizing can cause short-cycling, and short cycling leads to poor humidity control, reduced efficiency, higher utility bills, drastic indoor temperature swings, excessive noise, and increased wear and tear on the air conditioner.

Rather than oversizing an air conditioner, wise contractors and engineers "right-size" or even slightly undersize air conditioners. Correctly sizing an air conditioner controls humidity better; promotes efficiency; reduces utility bills; extends equipment life, and maintains even, comfortable temperatures.

Low ambient applications

When equipped with a Carrier economizer, your rooftop unit can cool your space by bringing in fresh, cool outside air. In fact, when so equipped, accessory low-ambient kit may not be necessary. In low ambient conditions, unless the outdoor air is excessively humid or contaminated, economizer-based "free cooling" is the preferred less costly and energy conscious method.

In low ambient applications where outside air might not be desired (such as contaminated or excessively humid outdoor environments), your Carrier rooftop can operate to ambient temperatures down to -20°F (-29°C) using the recommended accessory Motormaster low ambient controller.

Winter start

Carrier's winter start kit extends the low ambient limit of your rooftop to 25°F (-4°C). The kit bypasses the low pressure switch, preventing nuisance tripping of the low pressure switch. Other low ambient precautions may still be prudent.

Application/Selection Option

Selection software by Carrier saves time by performing many of the steps above. Contact your Carrier sales representative for assistance.

Table 7 – COOLING CAPACITIES

2-STAGE COOLING

15 TONS

50TC-D17			AMBIENT TEMPERATURE												
			85			95			105			115			
			EAT (db)			EAT (db)			EAT (db)			EAT (db)			
			75	80	85	75	80	85	75	80	85	75	80	85	
4500 CFM	EAT (wb)	58	TC	159.6	159.1	163.4	148.7	148.4	155.2	136.1	137.1	146.0	122.4	127.2	136.2
			SHC	132.6	149.6	163.4	127.0	143.9	155.2	120.7	137.1	146.0	113.9	127.2	136.2
		62	TC	173.9	173.6	173.3	163.1	162.6	162.2	150.5	150.2	149.9	136.8	136.2	136.9
			SHC	119.4	136.8	153.9	114.1	131.5	148.6	108.2	125.7	142.6	101.9	119.2	135.8
		67	TC	193.4	193.0	192.5	182.5	182.1	181.7	169.9	169.5	169.1	156.0	155.5	155.2
			SHC	102.3	119.7	137.0	97.3	114.8	132.3	91.7	109.4	126.9	85.7	103.5	121.1
		72	TC	213.7	213.2	212.6	203.5	203.0	202.5	191.0	190.5	189.9	177.1	176.6	176.1
			SHC	84.0	101.7	119.2	79.7	97.4	115.0	74.6	92.4	109.9	69.1	86.9	104.6
76	TC	-	227.8	228.5	-	219.6	219.1	-	207.9	207.4	-	194.1	193.5		
	SHC	-	89.9	103.7	-	82.5	100.2	-	78.1	95.8	-	73.0	97.2		
5250 CFM	EAT (wb)	58	TC	168.7	168.5	176.4	157.0	158.2	167.7	143.9	148.2	158.0	129.5	137.5	147.4
			SHC	161.3	163.9	176.4	138.9	157.2	167.7	132.4	148.2	158.0	125.4	137.5	147.4
		62	TC	184.2	183.8	183.2	172.3	171.8	171.5	159.1	158.5	159.3	144.4	143.8	147.8
			SHC	129.4	149.6	168.9	123.9	144.0	163.5	117.9	137.9	156.4	111.4	131.3	147.8
		67	TC	204.7	204.0	203.5	193.1	192.6	192.2	179.7	179.2	178.7	164.8	164.3	163.6
			SHC	109.3	129.5	149.6	104.3	124.7	144.9	98.6	119.1	139.4	92.5	113.1	133.3
		72	TC	224.6	224.1	223.6	214.4	213.7	213.1	202.0	201.4	200.7	187.0	186.4	185.8
			SHC	87.5	107.9	128.2	83.4	103.9	124.3	78.6	99.2	119.6	72.9	93.6	114.1
76	TC	-	239.1	239.6	-	230.6	230.1	-	218.4	217.7	-	204.4	203.7		
	SHC	-	92.6	110.2	-	86.4	107.0	-	82.0	102.6	-	77.1	97.8		
6000 CFM	EAT (wb)	58	TC	176.9	178.5	188.9	164.3	168.9	179.6	150.3	158.4	169.1	136.1	146.9	157.7
			SHC	157.4	178.5	188.9	151.1	168.9	179.6	144.3	158.4	169.1	136.1	146.9	157.7
		62	TC	193.2	192.7	192.2	180.4	179.7	180.7	166.2	165.6	170.1	150.5	150.0	158.1
			SHC	140.2	162.8	184.2	134.4	156.9	177.8	128.1	150.6	168.9	121.3	143.5	158.1
		67	TC	214.4	213.7	213.0	202.1	201.6	201.0	187.7	187.1	186.4	171.8	171.1	170.4
			SHC	117.3	140.3	163.0	112.1	135.3	158.2	106.2	129.4	152.2	99.8	123.1	145.9
		72	TC	234.9	234.6	234.2	224.0	223.3	222.5	210.9	210.1	209.3	194.9	194.1	193.4
			SHC	92.7	115.9	139.1	88.4	111.8	134.8	83.4	106.8	130.0	77.5	101.0	124.3
76	TC	-	250.7	250.9	-	240.9	240.1	-	227.5	226.7	-	212.7	211.8		
	SHC	-	95.7	118.9	-	92.1	115.3	-	87.4	110.8	-	82.4	105.8		
6750 CFM	EAT (wb)	58	TC	182.5	187.4	198.5	169.3	177.4	188.7	156.0	166.4	177.8	142.9	154.4	165.9
			SHC	167.5	187.4	198.5	161.2	177.4	188.7	153.0	166.4	177.8	142.9	154.4	165.9
		62	TC	199.3	198.7	199.6	186.0	185.2	188.9	171.2	170.5	208.4	154.7	155.5	166.2
			SHC	148.6	173.7	196.6	142.8	167.6	188.9	136.4	161.1	208.4	115.2	152.6	166.2
		67	TC	220.4	219.6	218.8	208.2	207.4	206.6	193.2	192.5	191.7	176.8	176.1	175.2
			SHC	122.6	148.2	173.6	117.6	143.4	168.7	111.6	137.6	162.9	97.2	131.3	156.3
		72	TC	241.2	240.5	240.2	229.8	228.9	228.1	216.3	215.4	214.6	200.2	199.4	198.6
			SHC	95.1	120.9	146.6	90.8	116.8	142.6	85.8	111.9	137.8	80.0	106.2	118.0
76	TC	-	257.2	256.7	-	246.6	245.9	-	233.0	232.1	-	217.6	216.7		
	SHC	-	98.4	124.2	-	94.8	120.7	-	90.2	116.3	-	85.1	111.3		
7500 CFM	EAT (wb)	58	TC	187.3	195.3	206.8	174.4	184.9	196.8	161.5	173.5	185.5	148.9	161.1	173.2
			SHC	177.5	195.3	206.8	169.9	184.9	196.8	161.5	173.5	185.5	148.9	161.1	173.2
		62	TC	204.3	203.5	207.1	190.6	189.9	197.1	175.1	175.4	185.7	158.4	161.2	173.5
			SHC	156.5	183.9	207.1	150.7	177.9	197.1	144.1	170.2	185.7	137.1	161.2	173.5
		67	TC	225.2	224.4	223.4	213.1	212.2	211.3	197.8	197.0	196.2	180.8	179.9	179.1
			SHC	127.5	155.8	183.5	122.8	151.2	178.9	116.8	145.5	173.1	110.3	139.0	166.3
		72	TC	246.1	245.5	244.9	234.5	233.6	232.8	220.6	219.7	218.6	204.7	203.7	202.7
			SHC	97.1	125.6	153.8	92.9	121.6	150.1	87.9	116.8	145.3	82.3	111.2	139.9
76	TC	-	262.3	261.6	-	251.3	250.5	-	237.3	236.3	-	221.6	220.6		
	SHC	-	100.9	129.2	-	97.3	125.8	-	92.8	121.5	-	87.7	116.6		

Note: See Minimum–Maximum Airflow Ratings in Table 3. Do not operate outside these limits.

LEGEND:

- Do not operate
- Cfm - Cubic feet per minute (supply air)
- EAT(db) - Entering air temperature (dry bulb)
- EAT(wb) - Entering air temperature (wet bulb)
- SHC - Sensible heat capacity
- TC - Total capacity

50TCE17 (15 TONS) – UNIT WITH HUMIDI-MIZER IN SUBCOOLING MODE										
Temp (F) Air Entering Condenser (Edb)		AIR ENTERING EVAPORATOR – CFM								
		4,500			6,000			7,500		
		Air Entering Evaporator -- Ewb (F)								
75	TC	208.5	190.6	172.6	229.2	208.6	188.1	247.8	224.9	202.0
	SHC	94.0	114.5	135.0	104.5	125.2	145.9	113.0	133.8	154.6
	kW	13.42	13.05	12.70	13.60	13.21	12.80	13.82	13.36	13.15
85	TC	198.3	180.7	163.0	214.9	194.8	174.6	229.8	207.4	185.1
	SHC	74.1	99.6	125.1	85.2	110.9	136.7	94.1	120.0	145.9
	kW	14.79	14.42	14.10	14.97	14.58	14.20	15.19	14.73	14.51
95	TC	188.2	170.8	153.4	200.6	180.9	161.1	211.9	190.0	168.1
	SHC	54.4	84.8	115.3	65.9	96.7	127.5	75.1	106.2	137.2
	kW	16.23	15.86	15.50	16.41	16.02	15.60	16.63	16.17	15.95
105	TC	178.1	160.9	143.8	186.4	167.0	147.7	193.9	172.5	151.2
	SHC	34.6	70.0	105.4	46.5	82.4	118.2	56.1	92.3	128.5
	kW	17.47	17.10	16.80	17.65	17.26	16.90	17.87	17.41	17.25
115	TC	167.9	151.1	134.2	172.1	153.2	134.2	175.9	155.1	134.5
	SHC	14.8	55.2	95.6	27.2	68.1	109.0	37.1	78.5	119.8
	kW	18.87	18.50	18.20	19.05	18.66	18.30	19.27	18.81	18.55

50TCE17 (15 TONS) – UNIT WITH HUMIDI-MIZER IN HOT GAS REHEAT MODE										
Temp (F) Air Entering Condenser (Edb)		AIR ENTERING EVAPORATOR – Ewb (F)								
		75 Dry Bulb			75 Dry Bulb			75 Dry Bulb		
		62.5 Wet Bulb			64 Wet Bulb			65.3 Wet Bulb		
		(50% Relative)			(56% Relative)			(60% Relative)		
		Air Entering Evaporator – Cfm								
		4,500	6,000	7,500	4,500	6,000	7,500	4,500	6,000	7,500
80	TC	80.10	85.50	91.30	82.70	90.90	97.10	86.00	95.40	100.50
	SHC	12.70	22.30	34.20	5.10	12.10	21.20	-2.10	4.20	10.50
	kW	12.44	12.67	12.78	12.55	12.88	13.10	12.65	13.02	13.12
75	TC	82.30	87.60	93.40	84.70	93.00	99.20	88.10	97.30	102.50
	SHC	14.30	24.20	36.00	6.70	13.70	23.10	-0.50	5.80	12.60
	kW	12.38	12.62	12.73	12.50	12.83	13.05	12.62	12.98	13.07
70	TC	84.40	89.60	94.70	87.00	95.10	101.30	90.30	99.50	104.60
	SHC	16.10	25.70	37.30	8.20	15.80	24.50	1.10	7.50	13.70
	kW	12.34	12.58	12.69	12.47	12.78	13.03	12.59	12.93	13.02
60	TC	88.50	93.90	99.80	91.20	99.40	105.50	94.40	103.70	108.90
	SHC	19.40	29.20	40.70	11.50	18.60	27.80	4.60	10.50	16.90
	kW	12.28	12.52	12.63	12.41	12.73	12.97	12.53	12.84	12.94
50	TC	92.80	98.10	104.80	95.40	103.60	110.50	98.80	108.00	113.90
	SHC	22.70	32.20	43.80	14.80	22.10	31.30	7.70	13.90	20.50
	kW	12.21	12.45	12.56	12.34	12.68	12.91	12.46	12.75	12.85
40	TC	97.10	102.50	108.50	99.60	108.00	114.30	103.00	112.40	117.70
	SHC	26.00	35.40	46.90	17.90	25.30	34.40	10.80	17.10	23.80
	kW	12.14	12.38	12.49	12.27	12.60	12.84	12.40	12.70	12.80

LEGEND

- Edb – Entering Dry–Bulb
- Ewb – Entering Wet–Bulb
- kW – Compressor Motor Power Input
- ldb – Leaving Dry–Bulb
- lwb – Leaving Wet–Bulb
- SHC – Sensible Heat Capacity (1000 Btuh) Gross
- TC – Total Capacity (1000 Btuh) Gross

NOTES:

1. Direct interpolation is permissible. Do not extrapolate.
2. The following formulas may be used:

$$t_{ldb} = t_{edb} - \frac{\text{sensible capacity (Btuh)}}{1.10 \times \text{cfm}}$$

t_{lwb} = Wet–bulb temperature corresponding to enthalpy of air leaving evaporator coil (h_{lwb})

$$h_{lwb} = h_{ewb} - \frac{\text{total capacity (Btuh)}}{4.5 \times \text{cfm}}$$

Where: h_{ewb} = Enthalpy of air entering evaporator coil

50TC*D20				AMBIENT TEMPERATURE											
				85			95			105			115		
				EAT (db)			EAT (db)			EAT (db)			EAT (db)		
				75	80	85	75	80	85	75	80	85	75	80	85
5250 CFM	EAT (wb)	58	TC	180.4	185.6	196.3	167.7	176.1	186.9	154.7	165.3	176.6	142.2	153.6	164.9
			SHC	166.5	185.6	196.3	160.6	176.1	186.9	152.7	165.3	176.6	142.2	153.6	164.9
		62	TC	196.2	195.5	196.9	183.6	182.9	187.2	169.3	168.7	176.9	153.4	154.1	165.2
			SHC	146.8	172.1	194.7	141.4	166.6	187.2	135.4	160.5	176.9	128.6	152.5	165.2
		67	TC	216.7	215.9	215.2	204.9	204.1	203.1	190.6	189.7	189.0	174.8	174.0	173.3
			SHC	120.0	146.1	171.8	115.4	141.5	167.1	109.8	136.1	161.7	103.8	130.2	155.6
		72	TC	237.4	236.8	236.0	226.0	225.1	224.2	212.8	211.9	211.0	197.3	196.4	195.5
			SHC	92.0	118.3	144.3	87.8	114.3	140.4	83.0	109.6	135.8	77.6	104.2	130.6
		76	TC	-	252.9	253.0	-	242.5	241.6	-	229.1	228.2	-	214.1	213.1
			SHC	-	95.1	121.4	-	91.7	118.0	-	87.3	113.8	-	82.5	107.1
6125 CFM	EAT (wb)	58	TC	188.8	198.5	209.3	176.5	188.2	200.2	164.5	176.7	189.0	151.9	164.2	176.7
			SHC	180.4	198.5	209.3	174.4	188.2	200.2	164.5	176.7	189.0	151.9	164.2	176.7
		62	TC	205.2	204.6	209.6	191.8	191.5	200.4	176.6	177.6	189.2	159.9	164.2	176.9
			SHC	159.9	188.7	209.6	154.2	183.0	200.4	147.9	174.8	189.2	141.0	164.2	176.9
		67	TC	225.5	224.5	223.5	213.5	212.5	211.7	199.1	198.3	197.4	182.3	181.4	180.9
			SHC	128.3	158.4	187.8	123.8	154.1	183.5	118.4	148.9	178.1	112.2	142.7	171.6
		72	TC	245.6	245.3	244.6	234.7	233.6	232.6	220.9	219.9	218.8	205.5	204.4	203.4
			SHC	95.4	125.9	155.7	91.7	122.2	152.4	86.9	117.7	148.1	81.7	112.5	143.1
		76	TC	-	262.0	261.2	-	250.7	250.1	-	237.3	236.2	-	221.6	220.6
			SHC	-	99.5	129.4	-	95.9	126.2	-	91.8	122.4	-	87.0	117.8
7000 CFM	EAT (wb)	58	TC	197.4	209.8	221.3	186.1	199.1	211.7	173.8	186.9	200.1	160.3	173.5	186.9
			SHC	196.8	209.8	221.3	186.1	199.1	211.7	173.8	186.9	200.1	160.3	173.5	186.9
		62	TC	212.7	212.4	221.5	198.4	199.8	212.0	182.3	186.9	200.3	164.7	173.8	187.1
			SHC	173.4	205.1	221.5	167.4	197.4	212.0	160.8	186.8	200.3	153.4	173.8	187.1
		67	TC	233.7	232.5	231.4	220.8	219.8	218.9	205.6	204.5	204.1	187.8	186.8	188.0
			SHC	138.0	172.0	205.0	133.4	167.6	200.4	127.8	162.0	194.4	121.3	155.6	185.6
		72	TC	254.3	253.3	252.8	242.7	241.5	240.3	228.0	226.8	225.7	211.8	210.6	209.3
			SHC	101.3	135.4	169.2	97.3	131.8	165.9	92.3	127.2	161.5	86.9	121.8	156.3
		76	TC	-	270.7	269.9	-	259.0	258.1	-	245.0	243.6	-	228.5	227.1
			SHC	-	106.1	140.0	-	102.4	136.5	-	98.2	132.7	-	93.2	127.9
7875 CFM	EAT (wb)	58	TC	205.0	217.2	229.1	193.4	206.9	219.3	180.6	194.3	207.9	166.6	180.5	194.5
			SHC	205.0	217.2	229.1	193.4	206.9	219.3	180.6	194.3	207.9	166.6	180.5	194.5
		62	TC	216.7	217.4	229.4	202.5	207.1	219.6	185.9	194.5	208.4	168.4	180.7	194.7
			SHC	183.9	217.4	229.4	178.2	207.1	219.6	171.5	194.5	208.4	141.2	180.7	194.7
		67	TC	237.8	236.7	235.7	224.7	223.5	223.0	209.5	208.3	209.2	191.5	190.3	195.0
			SHC	144.6	182.4	219.3	140.3	178.2	213.7	134.9	172.7	205.9	113.6	166.2	195.0
		72	TC	258.6	257.5	256.5	246.8	245.7	244.3	231.8	230.5	229.2	215.3	213.9	212.5
			SHC	103.9	141.8	179.2	100.0	138.3	176.1	95.1	133.9	172.1	89.7	128.6	142.0
		76	TC	-	275.4	274.2	-	262.7	261.8	-	248.7	247.6	-	231.9	230.5
			SHC	-	109.5	147.0	-	105.7	143.6	-	101.5	139.9	-	96.6	135.4
8750 CFM	EAT (wb)	58	TC	211.3	223.6	235.9	199.7	213.4	225.7	186.4	200.7	214.3	172.1	186.5	200.9
			SHC	211.3	223.6	235.9	199.7	213.4	225.7	186.4	200.7	214.3	172.1	186.5	200.9
		62	TC	220.0	223.7	236.3	206.0	213.6	226.1	189.3	200.9	214.5	172.2	186.7	201.2
			SHC	194.0	223.7	236.3	188.5	213.6	226.1	181.3	200.9	214.5	172.2	186.7	201.2
		67	TC	241.1	240.1	239.7	227.9	226.6	226.9	212.7	211.4	214.9	194.4	193.0	201.4
			SHC	151.0	192.1	230.2	146.9	188.3	225.2	141.6	182.9	214.8	135.3	176.3	201.4
		72	TC	262.2	261.0	259.7	250.0	248.8	247.7	235.0	233.5	232.1	218.1	216.6	215.2
			SHC	106.5	148.1	189.0	102.5	144.5	186.0	97.8	140.4	182.1	92.4	135.3	177.1
		76	TC	-	278.9	277.4	-	266.0	264.8	-	251.5	250.6	-	234.7	233.0
			SHC	-	112.7	153.7	-	108.9	150.4	-	104.7	146.7	-	100.0	142.4

Note: See Minimum-Maximum Airflow Ratings in Table 3. Do not operate outside these limits.

LEGEND:

- Do not operate
- Cfm - Cubic feet per minute (supply air)
- EAT(db) - Entering air temperature (dry bulb)
- EAT(wb) - Entering air temperature (wet bulb)
- SHC - Sensible heat capacity
- TC - Total capacity

Table 7 - COOLING CAPACITIES (cont.) 2-STAGE COOLING

17.5 TONS

50TCE20 (17.5 TONS) – UNIT WITH HUMIDI-MIZER IN SUBCOOLING MODE										
Temp (F) Air Entering Condenser (Edb)		AIR ENTERING EVAPORATOR – CFM								
		5,250			7,000			8,750		
		Air Entering Evaporator -- Ewb (F)								
		72	67	62	72	67	62	72	67	62
75	TC	218.7	199.6	180.5	241.4	219.4	197.4	261.7	237.2	212.7
	SHC	99.9	123.9	147.8	112.7	136.9	161.1	122.9	147.3	171.7
	kW	11.81	11.56	11.20	13.81	13.48	13.16	14.82	14.58	14.16
85	TC	206.6	187.9	169.1	224.9	203.4	181.9	241.3	217.3	193.4
	SHC	78.9	108.4	137.9	92.2	122.1	152.0	103.0	133.1	163.3
	kW	13.18	12.53	12.53	15.18	14.85	14.52	16.21	15.85	15.54
95	TC	194.7	176.2	157.8	208.4	187.4	166.4	220.8	197.4	174.1
	SHC	57.8	92.9	128.0	71.7	107.3	142.9	83.0	118.9	154.9
	kW	14.56	14.21	13.88	16.56	16.21	15.87	17.56	17.22	16.01
105	TC	182.7	164.5	146.4	191.9	171.4	150.8	200.3	177.6	154.8
	SHC	36.8	77.4	118.1	51.3	92.5	133.8	63.0	104.7	146.4
	kW	15.93	15.58	15.20	17.94	17.58	17.22	18.95	18.59	18.24
115	TC	170.6	152.8	135.0	175.4	155.4	135.3	179.8	157.7	135.5
	SHC	15.7	62.0	108.2	30.8	77.8	124.7	43.0	90.5	128.0
	kW	17.31	16.95	16.58	19.32	18.95	18.58	20.32	19.96	19.59

50TCE20 (17.5 TONS) – UNIT WITH HUMIDI-MIZER IN HOT GAS REHEAT MODE										
Temp (F) Air Entering Condenser (Edb)		AIR ENTERING EVAPORATOR – Ewb (F)								
		75 Dry Bulb			75 Dry Bulb			75 Dry Bulb		
		62.5 Wet Bulb			64 Wet Bulb			65.3 Wet Bulb		
		(50% Relative)			(56% Relative)			(60% Relative)		
		Air Entering Evaporator – Cfm								
		5,250	7,000	8,750	5,250	7,000	8,750	5,250	7,000	8,750
80	TC	82.20	90.50	92.40	86.70	96.40	97.80	91.60	99.80	101.20
	SHC	18.20	29.40	41.60	8.60	17.20	27.50	0.50	9.30	13.20
	kW	12.64	12.73	12.88	12.78	13.06	13.15	12.96	13.07	13.22
75	TC	84.40	92.70	94.40	88.80	98.60	99.70	93.70	102.00	103.40
	SHC	19.70	31.30	43.50	10.10	18.80	29.20	12.10	10.80	15.30
	kW	12.60	12.71	12.85	12.75	13.02	13.12	12.93	13.03	13.19
70	TC	86.70	94.90	96.60	91.00	100.70	102.00	95.90	104.10	105.40
	SHC	21.30	32.80	44.80	11.60	20.40	30.70	3.80	12.30	16.50
	kW	12.56	12.66	12.82	12.70	12.99	13.08	12.89	13.00	13.14
60	TC	90.90	99.10	100.80	95.20	105.00	106.30	100.20	108.30	109.70
	SHC	24.80	36.00	48.20	14.90	23.90	35.90	7.20	15.60	19.60
	kW	12.49	12.60	12.75	12.64	12.92	13.02	12.83	12.93	13.09
50	TC	95.00	103.40	105.10	99.50	109.40	110.50	104.40	112.50	113.90
	SHC	28.10	39.30	51.30	18.20	27.20	37.40	10.30	18.90	23.20
	kW	12.43	12.53	12.67	12.57	12.86	12.95	12.76	12.87	13.02
40	TC	99.20	107.70	109.30	103.70	113.70	114.70	108.60	116.70	118.10
	SHC	31.40	42.50	54.40	21.30	30.40	40.50	13.40	22.00	26.50
	kW	12.35	12.45	12.61	12.50	12.79	12.87	12.68	12.80	12.94

LEGEND

- Edb - Entering Dry-Bulb
- Ewb - Entering Wet-Bulb
- kW - Compressor Motor Power Input
- ldb - Leaving Dry-Bulb
- lwb - Leaving Wet-Bulb
- SHC - Sensible Heat Capacity (1000 Btuh) Gross
- TC - Total Capacity (1000 Btuh) Gross

NOTES:

1. Direct interpolation is permissible. Do not extrapolate.
2. The following formulas may be used:

$$t_{ldb} = t_{edb} - \frac{\text{sensible capacity (Btuh)}}{1.10 \times \text{cfm}}$$

t_{lwb} = Wet-bulb temperature corresponding to enthalpy of air leaving evaporator coil (h_{lwb})

$$h_{lwb} = h_{ewb} - \frac{\text{total capacity (Btuh)}}{4.5 \times \text{cfm}}$$

Where: h_{ewb} = Enthalpy of air entering evaporator coil

Table 7 - COOLING CAPACITIES (cont.)

2-STAGE COOLING

20 TONS

50TC-D24				AMBIENT TEMPERATURE												
				85			95			105			115			
				EA (db)			EA (db)			EA (db)			EA (db)			
				75	80	85	75	80	85	75	80	85	75	80	85	
6000 CFM	EAT (wb)	58	TC	213.1	217.2	228.7	199.9	207.5	219.4	184.8	195.8	208.4	169.6	182.6	195.6	
			SHC	194.3	217.2	228.7	188.0	207.5	219.4	179.0	195.8	208.4	169.6	182.6	195.6	
		62	TC	230.0	229.4	230.4	217.5	217.0	219.7	202.5	201.9	208.8	184.9	184.9	195.9	
			SHC	170.0	199.9	225.9	164.6	194.5	219.7	158.3	187.8	208.8	150.9	178.7	195.9	
		67	TC	251.5	251.1	250.6	239.4	238.7	238.1	225.4	224.7	224.0	208.8	208.2	207.4	
			SHC	137.5	168.1	198.4	132.9	163.4	193.7	127.5	158.1	188.2	121.1	151.9	181.9	
	72	TC	274.0	273.8	273.5	262.3	261.7	261.0	248.2	247.4	246.6	232.2	231.3	230.5		
		SHC	104.3	135.1	165.6	100.1	130.9	161.4	95.1	125.9	156.6	89.6	120.5	151.3		
	76	TC	-	292.9	292.2	-	280.5	279.9	-	266.3	265.6	-	250.6	249.8		
		SHC	-	108.1	138.6	-	104.1	134.9	-	99.6	130.4	-	94.6	125.5		
	7000 CFM	EAT (wb)	58	TC	220.8	229.7	241.7	208.4	219.7	232.2	194.3	208.1	221.0	180.1	194.2	207.9
				SHC	211.0	229.7	241.7	203.1	219.7	232.2	194.3	208.1	221.0	180.1	194.2	207.9
62			TC	237.8	237.3	241.9	225.1	224.6	232.3	209.6	210.2	221.3	191.3	196.0	208.2	
			SHC	183.3	217.8	241.9	178.2	212.1	232.3	171.8	203.8	221.3	164.3	196.0	208.2	
67			TC	260.0	259.2	258.5	247.2	246.4	245.7	232.7	231.9	231.7	215.8	215.0	214.3	
			SHC	146.0	181.0	215.7	141.3	176.5	211.2	136.0	171.3	206.3	129.8	165.3	199.4	
72		TC	283.3	282.5	281.8	270.6	269.8	268.9	255.9	255.0	254.1	240.0	238.9	238.0		
		SHC	107.9	143.2	178.1	103.6	139.0	174.1	98.6	134.2	169.5	93.2	129.0	164.4		
76		TC	-	302.3	301.6	-	289.1	288.4	-	274.4	273.6	-	257.9	256.8		
		SHC	-	112.3	147.5	-	108.3	143.7	-	103.9	139.4	-	98.9	134.5		
8000 CFM		EAT (wb)	58	TC	232.1	243.6	256.1	219.8	233.4	246.0	206.9	221.3	234.5	192.1	206.8	221.2
				SHC	227.5	243.6	256.1	219.8	233.4	246.0	206.9	221.3	234.5	192.1	206.8	221.2
	62		TC	247.8	247.1	256.4	234.7	235.5	246.2	218.7	221.1	234.7	199.5	207.0	221.4	
			SHC	199.5	236.7	256.4	194.3	229.1	246.2	187.8	221.1	234.7	179.9	207.0	221.4	
	67		TC	270.2	269.3	268.3	257.0	256.1	255.2	242.1	241.0	240.3	224.5	223.5	223.1	
			SHC	157.6	197.1	235.6	152.7	192.6	231.0	147.3	187.2	225.3	141.0	181.0	215.6	
	72	TC	294.1	293.1	292.2	280.7	279.7	278.4	265.9	264.7	263.8	248.9	247.6	246.6		
		SHC	114.8	154.6	193.9	110.3	150.4	190.0	105.4	145.6	185.5	99.7	140.1	180.2		
	76	TC	-	313.1	312.3	-	299.3	298.2	-	283.8	282.8	-	266.7	265.4		
		SHC	-	120.2	159.6	-	116.0	155.9	-	111.4	151.5	-	106.2	146.6		
	9000 CFM	EAT (wb)	58	TC	238.5	252.5	266.0	226.8	241.6	255.6	213.1	228.2	243.0	197.5	213.0	229.2
				SHC	238.5	252.5	266.0	226.8	241.6	255.6	213.1	228.2	243.0	197.5	213.0	229.2
62			TC	253.0	254.1	266.3	238.6	241.6	255.7	221.0	228.4	243.3	201.1	213.2	229.4	
			SHC	211.9	249.1	266.3	206.2	241.6	255.7	199.2	228.4	243.3	164.2	213.2	229.4	
67			TC	276.9	275.8	274.8	263.0	261.8	261.0	246.5	245.2	246.6	228.2	225.9	229.6	
			SHC	165.6	209.9	252.2	160.7	205.1	247.0	154.9	199.3	238.5	132.3	192.7	229.6	
72		TC	302.2	301.0	299.7	287.9	286.6	285.4	272.3	270.9	269.6	254.3	252.9	251.6		
		SHC	118.2	162.8	206.8	113.5	158.4	202.9	108.5	153.4	198.0	102.7	147.8	165.1		
76		TC	-	322.0	320.8	-	307.7	306.1	-	291.4	289.9	-	275.1	272.5		
		SHC	-	124.5	168.7	-	120.4	164.9	-	115.6	160.5	-	110.9	155.3		
10,000 CFM		EAT (wb)	58	TC	245.7	259.8	273.9	233.8	248.7	263.2	219.8	235.3	250.5	203.7	219.8	236.5
				SHC	245.7	259.8	273.9	233.8	248.7	263.2	219.8	235.3	250.5	203.7	219.8	236.5
	62		TC	256.8	260.7	274.2	242.2	249.0	263.3	224.6	235.6	250.6	205.6	220.0	236.8	
			SHC	223.8	258.4	274.2	218.1	249.0	263.3	211.0	235.6	250.6	199.3	220.0	236.8	
	67		TC	280.8	279.6	266.3	266.6	265.4	265.8	249.9	248.6	251.0	231.4	229.8	237.3	
			SHC	173.2	221.8	266.3	168.3	217.0	258.7	162.6	211.4	250.7	156.4	204.7	237.3	
	72	TC	306.4	305.0	274.8	292.1	290.6	289.3	276.0	274.3	273.0	257.5	256.0	254.6		
		SHC	121.2	170.1	252.2	116.6	165.9	214.8	111.5	161.0	210.0	105.7	155.4	204.5		
	76	TC	-	326.2	299.7	-	311.4	310.0	-	295.2	293.2	-	277.0	275.3		
		SHC	-	128.2	206.8	-	124.0	172.9	-	119.5	168.9	-	114.3	163.8		

Note: See Minimum-Maximum Airflow Ratings in Table 3. Do not operate outside these limits.

LEGEND:

- Do not operate
- Cfm - Cubic feet per minute (supply air)
- EAT(db) - Entering air temperature (dry bulb)
- EAT(wb) - Entering air temperature (wet bulb)
- SHC - Sensible heat capacity
- TC - Total capacity

50TCE24 (20 TONS) – UNIT WITH HUMIDI-MIZER IN SUBCOOLING MODE										
Temp (F) Air Entering Condenser (Edb)		AIR ENTERING EVAPORATOR – CFM								
		6,000			8,000			10,000		
		Air Entering Evaporator -- Ewb (F)								
		72	67	62	72	67	62	72	67	62
75	TC	263.0	240.4	217.7	301.0	274.0	246.9	336.9	305.6	274.4
	SHC	125.3	151.6	178.0	144.4	171.1	198.0	160.0	186.9	213.9
	kW	15.63	15.20	14.65	15.91	15.62	14.98	16.26	15.92	15.21
85	TC	248.2	226.1	204.0	279.2	252.9	226.6	308.4	278.2	248.0
	SHC	98.9	131.7	164.5	118.6	152.0	185.3	134.6	168.4	202.2
	kW	17.50	17.04	16.50	17.74	17.51	16.75	18.08	17.73	17.03
95	TC	233.4	211.8	190.2	257.3	231.8	206.4	279.8	250.7	221.5
	SHC	72.4	111.8	151.1	92.7	132.8	172.9	109.3	149.9	190.6
	kW	19.36	18.96	18.35	19.61	19.37	18.67	20.02	19.62	18.97
105	TC	218.6	197.5	176.5	235.4	210.7	186.1	251.3	223.2	195.1
	SHC	46.0	91.8	137.7	66.9	113.6	160.4	83.9	131.4	178.9
	kW	21.23	20.76	20.18	21.53	21.22	20.52	21.91	21.52	20.77
115	TC	203.7	183.3	162.8	213.5	189.7	165.8	222.7	195.7	168.7
	SHC	19.5	71.9	124.2	41.0	94.4	147.9	58.5	112.9	157.2
	kW	23.02	22.58	22.02	23.42	23.02	22.38	23.73	23.41	22.57

50TCE24 (20 TONS) – UNIT WITH HUMIDI-MIZER IN HOT GAS REHEAT MODE										
Temp (F) Air Entering Condenser (Edb)		AIR ENTERING EVAPORATOR – Ewb (F)								
		75 Dry Bulb			75 Dry Bulb			75 Dry Bulb		
		62.5 Wet Bulb			64 Wet Bulb			65.3 Wet Bulb		
		(50% Relative)			(56% Relative)			(60% Relative)		
		Air Entering Evaporator – Cfm								
		6,000	8,000	10,000	6,000	8,000	10,000	6,000	8,000	10,000
80	TC	91.50	100.80	109.50	95.80	105.70	112.40	102.30	110.80	118.60
	SHC	12.30	31.20	44.50	0.90	15.10	25.70	-6.50	3.60	13.90
	kW	14.82	15.01	15.24	15.35	15.45	15.52	15.56	15.65	15.73
75	TC	94.00	103.40	112.00	98.70	108.10	115.10	104.70	113.10	121.10
	SHC	13.60	32.40	45.70	2.00	16.00	26.60	-5.60	4.70	15.10
	kW	14.90	15.07	15.33	15.43	15.56	15.64	15.69	15.77	15.85
70	TC	96.50	106.00	114.30	100.90	110.60	117.20	107.20	115.80	123.50
	SHC	14.50	33.20	45.70	3.30	17.30	28.00	-4.00	5.90	16.20
	kW	14.97	15.17	15.41	15.50	15.66	15.75	15.80	15.87	15.94
60	TC	101.80	111.30	119.30	106.20	115.60	122.20	112.60	119.40	128.00
	SHC	16.70	35.50	48.60	5.60	19.40	30.30	-1.80	8.20	18.50
	kW	15.14	15.32	15.58	15.66	15.88	15.97	16.05	16.10	16.19
50	TC	107.20	116.40	124.30	111.50	120.70	127.30	117.70	125.20	132.90
	SHC	18.60	37.60	50.70	8.00	22.00	32.70	0.50	10.50	21.00
	kW	15.27	15.46	15.76	15.81	16.10	16.23	16.27	16.34	16.41
40	TC	112.20	121.80	129.20	116.60	125.70	132.00	123.20	130.00	138.00
	SHC	21.80	39.50	52.90	10.20	24.40	35.20	2.90	13.00	23.40
	kW	15.42	15.63	15.93	15.96	16.32	16.44	16.52	16.57	16.65

LEGEND

- Edb - Entering Dry-Bulb
- Ewb - Entering Wet-Bulb
- kW - Compressor Motor Power Input
- ldb - Leaving Dry-Bulb
- lwb - Leaving Wet-Bulb
- SHC - Sensible Heat Capacity (1000 Btuh) Gross
- TC - Total Capacity (1000 Btuh) Gross

NOTES:

1. Direct interpolation is permissible. Do not extrapolate.
2. The following formulas may be used:

$$t_{ldb} = t_{edb} - \frac{\text{sensible capacity (Btuh)}}{1.10 \times \text{cfm}}$$

$$t_{lwb} = \text{Wet-bulb temperature corresponding to enthalpy of air leaving evaporator coil } (h_{lwb})$$

$$h_{lwb} = h_{ewb} - \frac{\text{total capacity (Btuh)}}{4.5 \times \text{cfm}}$$
 Where: h_{ewb} = Enthalpy of air entering evaporator coil

Table 7 - COOLING CAPACITIES (cont.)

2-STAGE COOLING

25 TONS

50TC-D28				AMBIENT TEMPERATURE												
				85			95			105			115			
				EA (db)			EA (db)			EA (db)			EA (db)			
				75	80	85	75	80	85	75	80	85	75	80	85	
7,500 CFM	EAT (wb)	58	TC	257.3	266.5	279.6	247.5	255.4	269.0	231.5	243.3	257.2	214.3	229.2	243.7	
			SHC	247.5	266.5	279.6	231.1	255.4	269.0	223.5	243.3	257.2	213.2	229.2	243.7	
		62	TC	281.4	280.5	280.6	267.5	267.0	269.3	251.3	251.0	257.6	232.7	232.5	244.1	
			SHC	208.2	244.0	278.0	202.3	238.4	269.3	195.8	231.5	257.6	188.1	223.4	244.1	
		67	TC	307.4	306.4	305.7	293.0	292.2	291.4	276.9	276.2	275.4	259.7	259.2	258.8	
			SHC	168.7	205.7	242.3	163.2	200.3	236.9	157.1	194.4	230.7	150.6	188.4	224.8	
	72	TC	333.9	333.2	332.5	320.1	319.3	318.6	304.5	303.7	302.7	287.2	285.3	284.5		
		SHC	128.1	165.4	202.3	123.1	160.6	197.8	117.6	155.1	192.5	111.5	149.0	186.6		
	76	TC	-	356.0	355.2	-	342.0	341.2	-	326.0	325.2	-	308.0	307.4		
		SHC	-	132.7	169.9	-	128.1	165.6	-	123.0	160.7	-	117.3	154.5		
	8,750 CFM	EAT (wb)	58	TC	269.8	280.2	294.4	255.3	268.9	283.2	241.1	256.1	270.7	225.5	241.3	257.3
				SHC	257.9	280.2	294.4	250.4	268.9	283.2	241.1	256.1	270.7	225.5	241.3	257.3
62			TC	289.9	289.3	294.6	275.3	274.9	283.6	258.7	258.2	271.0	238.8	241.6	257.6	
			SHC	224.2	265.0	294.6	218.6	258.6	283.6	212.0	251.7	271.0	203.9	241.6	257.6	
67			TC	316.2	315.7	314.5	301.7	300.8	299.8	285.1	284.2	283.4	266.7	266.0	265.2	
			SHC	179.0	221.6	263.1	173.5	216.4	257.9	167.5	210.5	251.9	161.0	204.5	245.1	
72		TC	343.7	342.7	341.6	315.3	327.9	327.0	313.1	311.4	310.4	294.3	293.2	292.2		
		SHC	132.4	175.4	217.7	127.6	170.7	213.3	122.0	165.3	208.3	115.6	159.2	202.5		
76		TC	-	366.0	364.9	-	351.2	350.1	-	334.2	333.2	-	315.4	314.3		
		SHC	-	138.0	180.7	-	133.4	176.5	-	128.2	171.6	-	122.5	166.1		
10,000 CFM		EAT (wb)	58	TC	277.1	291.8	306.8	264.9	280.2	295.3	251.2	267.0	282.3	235.1	252.2	268.1
				SHC	275.3	291.8	306.8	264.9	280.2	295.3	251.2	267.0	282.3	235.1	252.2	268.1
	62		TC	296.8	296.0	307.2	281.8	281.8	295.6	264.7	267.1	282.6	244.9	252.4	268.4	
			SHC	239.8	283.9	307.2	234.0	276.8	295.6	227.5	267.1	282.6	219.4	252.4	268.4	
	67		TC	323.5	322.6	321.4	308.5	307.4	306.5	291.3	290.2	289.3	272.5	271.5	270.8	
			SHC	188.8	236.9	282.9	183.5	231.9	277.4	177.5	226.1	271.2	171.2	219.7	264.3	
	72	TC	351.8	350.5	349.2	336.6	335.4	334.1	319.7	318.3	317.1	300.2	298.9	297.8		
		SHC	136.6	185.1	232.8	131.6	180.4	228.6	126.0	175.1	223.7	119.7	169.1	217.9		
	76	TC	-	374.2	372.8	-	358.6	357.3	-	340.9	339.7	-	321.3	320.1		
		SHC	-	143.1	191.2	-	138.5	187.1	-	133.3	182.3	-	127.6	176.8		
	11,250 CFM	EAT (wb)	58	TC	285.8	301.5	317.0	273.8	289.0	305.1	259.8	276.1	291.7	244.0	260.9	277.4
				SHC	285.8	301.5	317.0	273.8	289.0	305.1	259.8	276.1	291.7	244.0	260.9	277.4
62			TC	302.2	302.3	317.4	286.3	289.5	305.4	269.6	276.4	208.4	249.3	261.1	277.6	
			SHC	254.3	300.2	317.4	245.8	289.5	305.4	242.1	276.4	208.4	201.5	261.1	277.6	
67			TC	328.7	327.7	326.7	313.5	312.2	311.1	296.0	294.8	294.3	277.5	275.7	277.9	
			SHC	197.9	251.1	301.0	192.8	246.4	295.4	187.0	240.4	288.0	160.9	234.6	277.9	
72		TC	357.4	355.9	354.4	341.8	340.3	339.0	324.4	322.8	321.6	304.8	303.2	302.0		
		SHC	140.2	193.9	246.7	135.2	189.4	242.8	129.7	184.3	238.2	123.5	178.4	198.1		
76		TC	-	379.7	378.2	-	363.9	362.3	-	345.7	344.2	-	327.5	324.0		
		SHC	-	147.6	200.8	-	143.1	196.9	-	138.0	192.3	-	132.9	187.1		
12,500 CFM		EAT (wb)	58	TC	293.7	309.8	325.6	280.3	297.3	313.5	267.0	283.5	299.8	250.8	268.3	284.8
				SHC	293.7	309.8	325.6	280.3	297.3	313.5	267.0	283.5	299.8	250.8	268.3	284.8
	62		TC	310.5	310.2	326.1	290.7	297.6	313.9	273.7	283.7	300.1	253.1	268.5	285.0	
			SHC	264.9	310.1	326.1	262.1	297.6	313.9	255.7	283.7	300.1	246.9	268.5	285.0	
	67		TC	333.1	331.7	330.9	317.5	316.2	315.9	299.8	298.7	300.3	280.7	279.6	285.5	
			SHC	206.6	264.7	317.6	201.9	260.2	311.0	196.2	254.9	300.3	190.0	248.1	285.5	
	72	TC	362.1	360.3	358.7	346.0	344.3	343.0	328.2	326.6	325.1	308.4	306.6	305.3		
		SHC	143.6	202.4	260.2	138.7	198.1	256.5	133.2	193.2	252.1	127.1	187.5	246.5		
	76	TC	-	384.3	382.5	-	368.1	366.3	-	349.5	347.8	-	331.0	328.7		
		SHC	-	151.9	210.1	-	147.5	206.4	-	142.5	201.9	-	137.4	195.2		

Note: See Minimum-Maximum Airflow Ratings in Table 3. Do not operate outside these limits.

LEGEND:

- Do not operate
- Cfm - Cubic feet per minute (supply air)
- EAT(db) - Entering air temperature (dry bulb)
- EAT(wb) - Entering air temperature (wet bulb)
- SHC - Sensible heat capacity
- TC - Total capacity

50TCE28 (25 TONS) – UNIT WITH HUMIDI-MIZER IN SUBCOOLING MODE										
Temp (F) Air Entering Condenser (Edb)		AIR ENTERING EVAPORATOR – CFM								
		7,500			10,000			12,500		
		Air Entering Evaporator -- Ewb (F)								
		72	67	62	72	67	62	72	67	62
75	TC	335.3	305.5	275.8	368.3	334.4	300.5	398.1	360.5	322.9
	SHC	149.6	181.7	213.7	172.8	205.5	238.2	191.7	224.9	258.2
	kW	19.50	18.70	17.70	19.50	18.70	17.70	19.70	18.80	17.90
85	TC	316.3	287.0	257.7	341.5	308.4	275.3	364.3	327.8	291.2
	SHC	120.8	160.5	200.2	144.6	185.2	225.8	164.0	205.4	246.7
	kW	21.90	21.30	20.10	22.30	21.30	20.30	22.50	21.70	20.60
95	TC	297.3	268.5	239.6	314.7	282.4	250.1	330.5	295.0	259.5
	SHC	92.1	139.4	186.7	116.4	164.9	213.5	136.3	185.8	235.3
	kW	24.30	23.50	22.50	24.40	23.50	22.60	24.40	23.60	22.50
105	TC	278.2	249.9	221.6	287.9	256.4	224.9	296.7	262.3	227.8
	SHC	63.3	118.2	173.2	88.3	144.7	201.1	108.7	166.3	223.9
	kW	26.70	26.00	25.00	27.30	26.00	25.00	27.30	26.10	25.10
115	TC	259.2	231.4	203.5	261.1	230.4	199.7	262.9	229.5	196.1
	SHC	34.5	97.1	159.7	60.1	124.4	188.7	81.0	146.7	191.2
	kW	28.70	28.00	27.10	29.30	28.10	26.90	29.10	27.90	27.20

50TCE28 (25 TONS) – UNIT WITH HUMIDI-MIZER IN HOT GAS REHEAT MODE										
Temp (F) Air Entering Condenser (Edb)		AIR ENTERING EVAPORATOR – Ewb (F)								
		75 Dry Bulb			75 Dry Bulb			75 Dry Bulb		
		62.5 Wet Bulb			64 Wet Bulb			65.3 Wet Bulb		
		(50% Relative)			(56% Relative)			(60% Relative)		
		Air Entering Evaporator – Cfm								
		7,500	10,000	12,500	7,500	10,000	12,500	7,500	10,000	12,500
80	TC	132.40	136.80	148.40	138.20	142.40	154.60	144.30	146.40	162.50
	SHC	37.80	61.50	85.50	21.80	44.40	52.40	16.10	32.10	48.90
	kW	17.90	18.15	18.21	18.05	18.33	18.43	18.26	18.55	18.62
75	TC	138.00	142.20	154.10	143.50	148.00	160.30	148.90	151.00	167.10
	SHC	44.20	68.00	91.80	28.10	51.50	58.80	22.70	38.20	56.00
	kW	17.77	18.00	18.07	17.92	18.19	18.29	18.14	18.40	18.48
70	TC	143.80	148.10	160.00	149.30	154.00	165.90	155.50	157.60	173.80
	SHC	50.50	73.80	98.10	34.20	56.50	65.30	28.30	44.00	62.30
	kW	17.63	17.86	17.93	17.78	18.04	18.14	18.03	18.26	18.34
60	TC	154.80	159.50	171.10	160.20	165.20	177.20	166.70	168.80	185.10
	SHC	63.10	84.50	110.10	46.50	69.50	75.70	41.40	56.50	74.30
	kW	17.35	17.58	17.65	17.50	17.76	17.85	17.70	17.97	18.04
50	TC	166.30	170.50	181.20	171.30	176.40	188.40	178.00	180.00	196.40
	SHC	75.80	96.50	122.20	58.30	79.80	87.80	53.70	69.10	85.90
	kW	17.06	17.30	17.37	17.22	17.46	17.56	17.42	17.69	17.76
40	TC	177.50	181.70	192.30	182.40	187.60	199.70	189.30	191.20	207.70
	SHC	85.70	109.80	134.30	71.50	92.30	100.50	66.10	79.50	97.90
	kW	16.76	17.01	17.09	16.93	17.18	17.28	17.14	17.41	17.47

LEGEND

- Edb – Entering Dry–Bulb
- Ewb – Entering Wet–Bulb
- kW – Compressor Motor Power Input
- ldb – Leaving Dry–Bulb
- lwb – Leaving Wet–Bulb
- SHC – Sensible Heat Capacity (1000 Btuh) Gross
- TC – Total Capacity (1000 Btuh) Gross

NOTES:

1. Direct interpolation is permissible. Do not extrapolate.
2. The following formulas may be used:

$$t_{ldb} = t_{edb} - \frac{\text{sensible capacity (Btuh)}}{1.10 \times \text{cfm}}$$

$$t_{lwb} = \text{Wet-bulb temperature corresponding to enthalpy of air leaving evaporator coil } (h_{lwb})$$

$$h_{lwb} = h_{ewb} - \frac{\text{total capacity (Btuh)}}{4.5 \times \text{cfm}}$$

Where: h_{ewb} = Enthalpy of air entering evaporator coil

Table 7 - COOLING CAPACITIES (cont.)

2-STAGE COOLING

27.5 TONS

50TC*D30			Ambient Temperature											
			85			95			105			115		
			EA (dB)			EA (dB)			EA (dB)			EA (dB)		
			75	80	85	75	80	85	75	80	85	75	80	85
7,500 CFM	58	THC	298	298	336.8	285.3	285.3	322.4	270.1	270.1	305.3	253.5	253.5	286.5
		SHC	259.2	298	336.8	248.2	285.3	322.4	235	270.1	305.3	220.5	253.5	286.5
	62	THC	318.3	318.3	318.3	301.9	301.9	309	282.4	282.4	299.5	260.5	260.5	288.5
		SHC	233.5	275.2	316.9	225.8	267.4	309	216.6	258.1	299.5	206.1	247.3	288.5
	67	THC	352.3	352.3	352.3	335.9	335.9	335.9	317.1	317.1	317.1	294	294	294
		SHC	193.3	235	276.8	186.4	228.3	270.1	178.7	220.5	262.4	169.3	211.1	252.9
	72	THC	383.6	383.6	383.6	368.5	368.5	368.5	350.7	350.7	350.7	329.6	329.6	329.6
		SHC	149.7	191.9	234.2	144	186.2	228.4	137.3	179.5	221.7	129.6	171.7	213.8
	76	THC	-	404	404	-	390.3	390.3	-	373.1	373.1	-	353.4	353.4
		SHC	-	154.8	200.2	-	150.2	195.6	-	144.5	189.9	-	138	183.2
8,750 CFM	58	THC	315.7	315.7	356.8	302.4	302.4	341.8	286.8	286.8	324.1	269.2	269.2	304.3
		SHC	274.6	315.7	356.8	263	302.4	341.8	249.4	286.8	324.1	234.2	269.2	304.3
	62	THC	329.7	329.7	346.7	312.7	312.7	338.3	293	293	328	271.1	271.1	314.6
		SHC	251.3	299	346.7	243.3	290.8	338.3	233.7	280.9	328	222	268.3	314.6
	67	THC	363.1	363.1	363.1	346.4	346.4	346.4	327.1	327.1	327.1	303.7	303.7	303.7
		SHC	204.4	252.2	299.9	197.8	245.7	293.6	190.2	238.3	286.3	181	229.1	277.2
	72	THC	392.4	392.4	392.4	377.4	377.4	377.4	359.5	359.5	359.5	338.6	338.6	338.6
		SHC	153.8	201.6	249.3	148.4	196.3	244.3	141.9	190	238	134.5	182.7	230.8
	76	THC	-	410.9	410.9	-	397.4	397.4	-	380	380	-	359.9	359.9
		SHC	-	160.7	213.6	-	156.2	208.9	-	150.1	201.8	-	143.2	194.1
10,000 CFM	58	THC	330.4	330.4	373.4	316.6	316.6	357.8	300.7	300.7	339.9	282.3	282.3	319
		SHC	287.4	330.4	373.4	275.4	316.6	357.8	261.6	300.7	339.9	245.6	282.3	319
	62	THC	338.9	338.9	373.5	321.8	321.8	364.5	301.9	301.9	354.3	282.6	282.6	331.6
		SHC	267.2	320.3	373.5	258.9	311.7	364.5	249.5	301.9	354.3	233.5	282.6	331.6
	67	THC	371.1	371.1	371.1	354.3	354.3	354.3	334.7	334.7	334.7	310.9	310.9	310.9
		SHC	214.5	267.9	321.3	208.2	262	315.7	200.9	254.9	308.9	191.9	246	300.1
	72	THC	398.6	398.6	398.6	383.8	383.8	383.8	365.7	365.7	365.7	344.9	344.9	344.9
		SHC	157.3	210.1	262.8	152.2	205.4	258.7	145.8	199.4	252.9	138.7	192.5	246.3
	76	THC	-	415.7	415.7	-	402.3	402.3	-	384.9	384.9	-	364.5	364.5
		SHC	-	165.2	223.6	-	160.5	218	-	154.6	211.3	-	147.8	203.9
11,250 CFM	58	THC	342.7	342.7	387.3	328.7	328.7	371.4	312.7	312.7	353.3	293.5	293.5	331.7
		SHC	298.1	342.7	387.3	285.9	328.7	371.4	272	312.7	353.3	255.3	293.5	331.7
	62	THC	346.8	346.8	396.7	329.7	329.7	387	313	313	367.3	293.8	293.8	344.8
		SHC	281.1	338.9	396.7	272.5	329.7	387	258.6	313	367.3	242.8	293.8	344.8
	67	THC	377.2	377.2	377.2	360.4	360.4	360.4	340.7	340.7	340.7	316.6	316.6	321.8
		SHC	223.7	282.5	341.2	217.9	277.2	336.5	210.8	270.5	330.2	202.1	261.9	321.8
	72	THC	403.1	403.1	403.1	388.6	388.6	388.6	370.3	370.3	370.3	349.5	349.5	349.5
		SHC	160.3	217.7	275.1	155.5	213.7	271.9	149.3	208	266.7	142.4	201.4	260.5
	76	THC	-	419.3	419.3	-	406	406	-	388.5	388.5	-	367.8	367.8
		SHC	-	168.8	231.3	-	164.4	226.3	-	158.6	220	-	151.9	212.8
12,500 CFM	58	THC	353	353	398.9	338.8	338.8	382.9	322.5	322.5	364.5	303.1	303.1	342.5
		SHC	307.1	353	398.9	294.7	338.8	382.9	280.6	322.5	364.5	263.7	303.1	342.5
	62	THC	353.9	353.9	415.3	339.1	339.1	397.9	322.8	322.8	378.9	303.4	303.4	356
		SHC	292.4	353.9	415.3	280.2	339.1	397.9	266.8	322.8	378.9	250.7	303.4	356
	67	THC	381.9	381.9	381.9	365.2	365.2	365.2	345.3	345.3	350.4	321.3	321.3	342.2
		SHC	232.3	296.1	360	227	291.6	356.3	220.1	285.2	350.4	211.5	276.8	342.2
	72	THC	406.6	406.6	406.6	392.2	392.2	392.2	373.9	373.9	373.9	352.9	352.9	352.9
		SHC	163.1	224.8	286.6	158.5	221.4	284.3	152.5	216.1	279.6	145.7	209.8	273.9
	76	THC	-	422.1	422.1	-	408.9	408.9	-	391.2	391.2	-	370.3	370.3
		SHC	-	172.2	238.5	-	167.9	234	-	162.3	228.1	-	155.7	221.2

NOTES: 1. See Minimum–Maximum Airflow Ratings in Table 3. Do not operate outside these limits.
 2. Humidi–MiZer not available for 27.5 ton units.

LEGEND:

- Do not operate
- Cfm - Cubic feet per minute (supply air)
- EAT(db) - Entering air temperature (dry bulb)
- EAT(wb) - Entering air temperature (wet bulb)
- SHC - Sensible heat capacity
- TC - Total capacity

Table 8 – STATIC PRESSURE ADDERS (IN. WG) - FACTORY OPTIONS AND/OR ACCESSORIES

Economizer - Vertical Duct Configuration

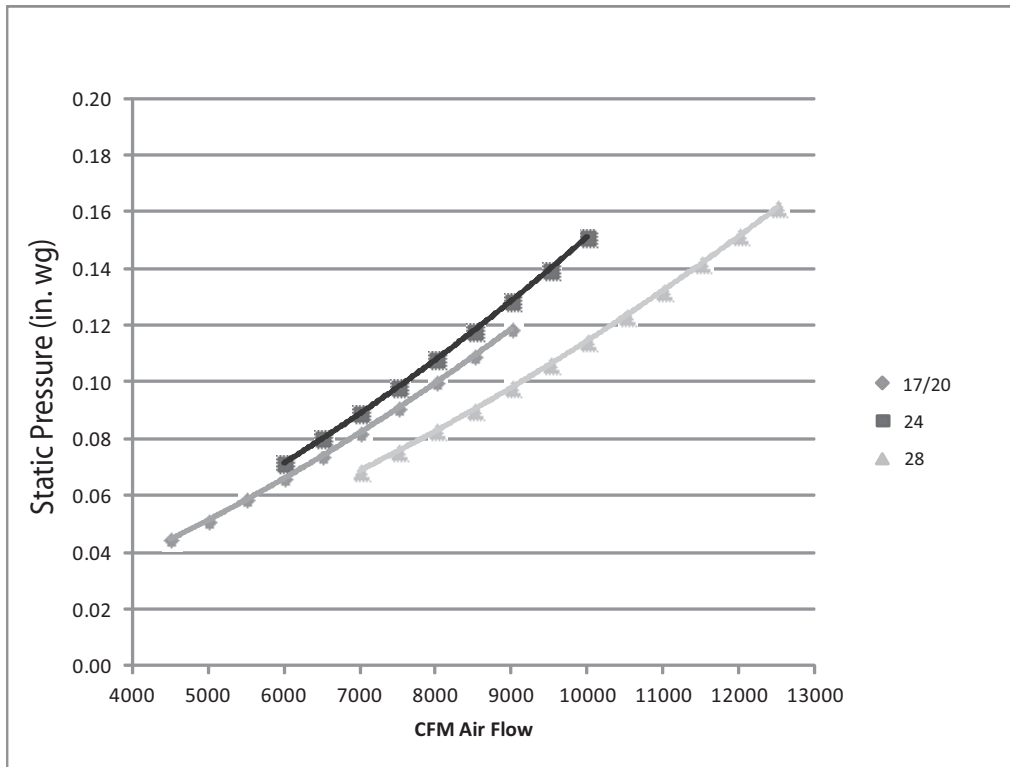
MODEL SIZES 17 – 30								
CFM	4500	5000	5500	6000	6500	7000	7500	8000
Static Pressure Adder (in. wg)	0.047	0.052	0.057	0.062	0.067	0.072	0.077	0.082

MODEL SIZES 17 – 30									
CFM	8500	9000	9500	10000	10500	11000	11500	12000	12500
Static Pressure Adder (in. wg)	0.088	0.093	0.098	0.103	0.109	0.114	0.119	0.125	0.131

Electric Heaters - Vertical Duct Configuration

MODEL SIZES 17 – 30								
CFM	4800	5000	6000	7000	8000	9000	10000	11500
25 kW Heater	0.010	0.010	0.020	0.030	0.040	0.050	0.060	0.090
50 kW Heater	0.020	0.020	0.040	0.060	0.080	0.100	0.130	0.180
75 kW Heater	0.030	0.040	0.060	0.080	0.120	0.150	0.200	0.270

Humidi-MiZer Coil



C11175A

DAMPER, BAROMETRIC RELIEF AND PE PERFORMANCE

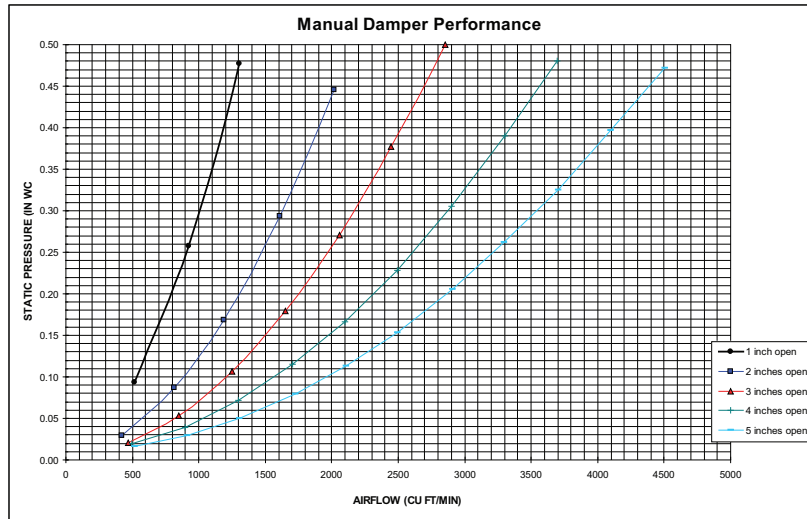


Fig. 8 - Manual Damper Performance

C09264

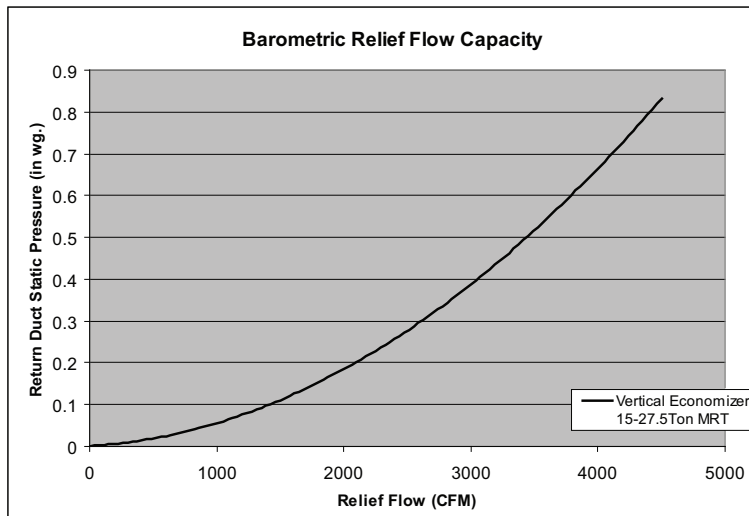


Fig. 9 - Barometric Relief Flow Capacity

C11307

Power Exhaust Fan Performance

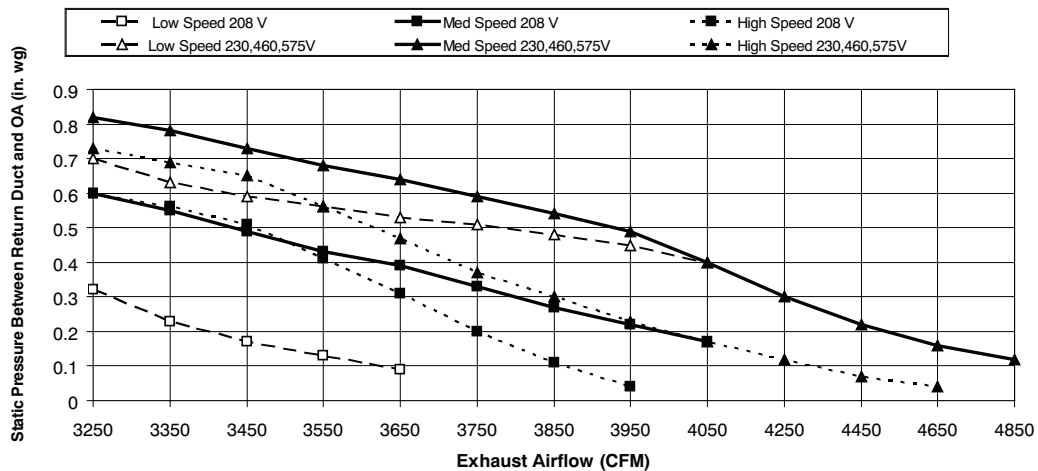


Fig. 10 - Power Exhaust Fan Performance

C11308

GENERAL FAN PERFORMANCE NOTES:

1. Interpolation is permissible. Do not extrapolate.
2. External static pressure is the static pressure difference between the return duct and the supply duct plus the static pressure caused by any FIOPs or accessories.
3. Tabular data accounts for pressure loss due to clean filters, unit casing, and wet coils. Factory options and accessories may add static pressure losses. Selection software is available, through your salesperson, to help you select the best motor/drive combination for your application.
4. The Fan Performance tables offer motor/drive recommendations. In cases when two motor/drive combinations would work, Carrier recommended the lower horsepower option.
5. For information on the electrical properties of Carrier motors, please see the Electrical information section of this book.
6. For more information on the performance limits of Carrier motors, see the application data section of this book.

FAN PERFORMANCE

Table 9 – 50TC-D17

VERTICAL SUPPLY / RETURN

15 TON

CFM	Available External Static Pressure (in. wg)									
	0.2		0.4		0.6		0.8		1.0	
	RPM	BHP	RPM	BHP	RPM	BHP	RPM	BHP	RPM	BHP
4500	436	0.60	530	0.90	611	1.22	684	1.57	751	1.94
4900	456	0.71	546	1.03	625	1.37	695	1.73	760	2.12
5250	473	0.83	560	1.16	637	1.51	706	1.89	770	2.30
5600	491	0.95	575	1.30	650	1.67	717	2.07	780	2.48
6000	513	1.11	593	1.48	665	1.87	731	2.28	792	2.71
6400	534	1.29	611	1.68	681	2.09	745	2.52	805	2.97
6750	553	1.46	628	1.87	696	2.29	758	2.74	817	3.20
7100	573	1.65	645	2.07	711	2.51	772	2.98	829	3.46
7500	595	1.88	665	2.33	729	2.79	788	3.27	844	3.77
CFM	Available External Static Pressure (in. wg)									
	1.2		1.4		1.6		1.8		2.0	
	RPM	BHP	RPM	BHP	RPM	BHP	RPM	BHP	RPM	BHP
4500	812	2.33	869	2.74	924	3.17	975	3.62	1024	4.08
4900	821	2.53	877	2.95	931	3.40	981	3.86	1030	4.34
5250	829	2.72	885	3.16	938	3.61	988	4.09	1036	4.57
5600	838	2.92	893	3.37	945	3.84	994	4.33	1042	4.83
6000	849	3.17	903	3.63	954	4.12	1003	4.62	<i>1050</i>	<i>5.14</i>
6400	861	3.43	914	3.92	964	4.42	1012	4.94	<i>1058</i>	<i>5.47</i>
6750	872	3.69	924	4.18	973	4.70	<i>1021</i>	<i>5.23</i>	<i>1066</i>	<i>5.78</i>
7100	883	3.95	934	4.47	983	5.00	<i>1030</i>	<i>5.54</i>	----	----
7500	897	4.28	947	4.81	995	5.36	<i>1041</i>	<i>5.92</i>	----	----
Std Static Motor and Drive – 514–680 RPM, Max BHP 2.29					Medium Static Motor and Drive – 679–863 RPM, Max BHP 3.3					
High Static Motor and Drive – 826–1009 RPM, Max BHP 4.9					---- Outside operating range					
Boldface – Field Supplied Drive					<i>ITALIC</i> – Field Supplied Motor and Drive					

Table 9 - 50TC-D20

VERTICAL SUPPLY / RETURN

17.5 TON

CFM	Available External Static Pressure (in. wg)									
	0.2		0.4		0.6		0.8		1.0	
	RPM	BHP	RPM	BHP	RPM	BHP	RPM	BHP	RPM	BHP
5250	541	1.08	618	1.42	688	1.79	754	2.19	817	2.62
5700	573	1.31	645	1.67	712	2.06	775	2.48	835	2.93
6100	602	1.55	670	1.93	734	2.34	795	2.77	852	3.23
6500	631	1.81	696	2.21	757	2.64	815	3.09	871	3.57
7000	668	2.19	729	2.61	787	3.06	843	3.53	896	4.03
7500	706	2.62	763	3.06	819	3.54	871	4.03	922	4.55
7900	736	3.00	791	3.47	844	3.96	895	4.47	944	5.00
8300	767	3.42	819	3.90	870	4.41	919	4.94	967	5.49
8750	801	3.94	852	4.44	900	4.97	948	5.52	993	6.09
CFM	Available External Static Pressure (in. wg)									
	1.2		1.4		1.6		1.8		2.0	
	RPM	BHP	RPM	BHP	RPM	BHP	RPM	BHP	RPM	BHP
5250	876	3.08	932	3.56	986	4.07	1038	4.60	1088	5.15
5700	892	3.40	946	3.90	998	4.42	1049	4.96	1097	5.52
6100	907	3.72	960	4.23	1011	4.76	1060	5.31	1107	5.89
6500	924	4.07	975	4.59	1025	5.13	1072	5.70	1119	6.28
7000	947	4.55	996	5.09	1044	5.65	1090	6.23	<i>1135</i>	<i>6.83</i>
7500	971	5.08	1019	5.64	1064	6.22	<i>1109</i>	<i>6.82</i>	<i>1152</i>	<i>7.44</i>
7900	992	5.55	1038	6.13	<i>1082</i>	<i>6.72</i>	<i>1126</i>	<i>7.34</i>	----	----
8300	1013	6.06	<i>1057</i>	<i>6.65</i>	<i>1101</i>	<i>7.26</i>	----	----	----	----
8750	<i>1038</i>	<i>6.68</i>	<i>1081</i>	<i>7.29</i>	----	----	----	----	----	----
Std Static Motor and Drive – 622–822 RPM, Max BHP 3.3					Medium Static Motor and Drive – 713–879 RPM, Max BHP 4.9					
High Static Motor and Drive – 882–1078 RPM, Max BHP 6.5					---- Outside operating range					
Boldface – Field Supplied Drive					<i>ITALIC</i> – Field Supplied Motor and Drive					

FAN PERFORMANCE (cont.)

Table 9 - 50TC-D24

VERTICAL SUPPLY / RETURN

20 TON

CFM	Available External Static Pressure (in. wg)									
	0.2		0.4		0.6		0.8		1.0	
	RPM	BHP	RPM	BHP	RPM	BHP	RPM	BHP	RPM	BHP
6000	506	1.12	593	1.43	668	1.74	736	2.07	798	2.40
6500	533	1.36	616	1.70	689	2.04	754	2.39	815	2.74
7000	561	1.64	640	2.01	710	2.37	774	2.74	833	3.11
7500	588	1.96	664	2.35	732	2.74	795	3.13	852	3.53
8000	617	2.32	689	2.74	755	3.15	816	3.57	872	3.99
8500	645	2.73	715	3.17	779	3.60	837	4.04	892	4.49
9000	674	3.18	741	3.64	803	4.10	860	4.57	913	5.04
9500	703	3.67	767	4.16	827	4.65	883	5.14	935	5.64
10000	732	4.22	794	4.74	852	5.25	906	5.77	957	6.29
CFM	Available External Static Pressure (in. wg)									
	1.2		1.4		1.6		1.8		2.0	
	RPM	BHP	RPM	BHP	RPM	BHP	RPM	BHP	RPM	BHP
6000	855	2.75	909	3.11	959	3.47	1008	3.85	1054	4.24
6500	871	3.11	924	3.48	974	3.87	1022	4.26	1067	4.67
7000	888	3.50	940	3.89	989	4.30	1036	4.71	1081	5.13
7500	906	3.94	957	4.35	1005	4.77	1052	5.20	1096	5.64
8000	925	4.42	975	4.85	1022	5.29	1068	5.74	1111	6.20
8500	944	4.94	993	5.40	1040	5.86	1084	6.33	1127	6.81
9000	964	5.51	1012	5.99	1058	6.48	1102	6.97	1144	7.46
9500	984	6.13	1032	6.64	1077	7.14	1120	7.65	1161	8.17
10000	1006	6.81	1052	7.33	1096	7.86	1138	8.40	----	----
Std Static Motor and Drive – 690–863 RPM, Max BHP 4.9					Medium Static Motor and Drive – 835–1021 RPM, Max BHP 6.5					
High Static Motor and Drive – 941–1176 RPM, Max BHP 8.7					---- Outside operating range					
Boldface – Field Supplied Drive										

Table 9 - 50TC-D28

VERTICAL SUPPLY / RETURN

25 TON

CFM	Available External Static Pressure (in. wg)									
	0.2		0.4		0.6		0.8		1.0	
	RPM	BHP	RPM	BHP	RPM	BHP	RPM	BHP	RPM	BHP
7500	541	1.50	636	1.88	716	2.27	787	2.66	850	3.06
8000	563	1.76	656	2.17	735	2.58	804	3.00	867	3.42
8500	585	2.05	676	2.50	753	2.93	822	3.37	884	3.81
9000	608	2.37	697	2.85	772	3.31	840	3.77	901	4.24
9500	631	2.73	717	3.24	791	3.73	858	4.21	918	4.70
10000	654	3.12	738	3.66	811	4.18	876	4.69	936	5.20
10500	678	3.56	759	4.12	831	4.67	895	5.21	954	5.74
11000	701	4.02	781	4.62	851	5.20	914	5.76	972	6.33
11500	725	4.53	802	5.16	871	5.77	933	6.36	991	6.95
12000	748	5.09	824	5.75	892	6.38	953	7.00	1010	7.62
12500	772	5.68	846	6.38	912	7.04	973	7.69	1029	8.34
CFM	Available External Static Pressure (in. wg)									
	1.2		1.4		1.6		1.8		2.0	
	RPM	BHP	RPM	BHP	RPM	BHP	RPM	BHP	RPM	BHP
7500	909	3.47	963	3.89	1014	4.32	1062	4.77	1108	5.23
8000	925	3.85	978	4.29	1029	4.74	1077	5.20	1122	5.68
8500	941	4.26	994	4.72	1044	5.19	1092	5.67	1137	6.16
9000	957	4.71	1010	5.19	1060	5.67	1107	6.17	1152	6.68
9500	974	5.19	1027	5.69	1076	6.20	1123	6.72	1167	7.24
10000	991	5.72	1043	6.24	1092	6.77	1138	7.30	----	----
10500	1009	6.28	1060	6.83	1109	7.37	1155	7.93	----	----
11000	1026	6.89	1077	7.46	1125	8.03	1171	8.60	----	----
11500	1044	7.54	1095	8.13	1142	8.72	----	----	----	----
12000	1062	8.23	1112	8.85	----	----	----	----	----	----
12500	----	----	----	----	----	----	----	----	----	----
Std Static Motor and Drive – 717–911 RPM, Max BHP 4.9					Medium Static Motor and Drive – 913–1116 RPM, Max BHP 6.5					
High Static Motor and Drive – 941–1176 RPM, Max BHP 8.7					---- Outside operating range					
Boldface – Field Supplied Drive										

FAN PERFORMANCE (cont.)

Table 9 - 50TC-D30

VERTICAL SUPPLY / RETURN

27.5 TON

CFM	Available External Static Pressure (in. wg)									
	0.2		0.4		0.6		0.8		1.0	
	RPM	BHP	RPM	BHP	RPM	BHP	RPM	BHP	RPM	BHP
8250	620	1.85	705	2.31	778	2.77	843	3.22	903	3.68
8800	650	2.18	731	2.67	802	3.16	866	3.64	925	4.13
9350	679	2.54	758	3.07	828	3.59	890	4.10	948	4.62
9900	710	2.95	786	3.51	853	4.06	915	4.60	971	5.15
10450	740	3.40	814	3.99	879	4.57	939	5.15	995	5.73
11000	771	3.90	842	4.52	906	5.14	965	5.75	1020	6.35
11550	802	4.45	871	5.10	933	5.75	991	6.39	1044	7.03
12100	833	5.04	900	5.73	961	6.41	1017	7.09	1070	7.76
12650	865	5.70	930	6.42	989	7.13	1044	7.84	1095	8.54
13200	897	6.40	959	7.16	1017	7.90	1071	8.64	1121	9.38
13750	929	7.17	990	7.96	1046	8.74	1098	9.51	1148	10.27
CFM	Available External Static Pressure (in. wg)									
	1.2		1.4		1.6		1.8		2.0	
	RPM	BHP	RPM	BHP	RPM	BHP	RPM	BHP	RPM	BHP
8250	959	4.14	1011	4.61	1059	5.08	1106	5.56	1150	6.05
8800	980	4.62	1031	5.11	1080	5.61	1126	6.12	1169	6.63
9350	1002	5.14	1052	5.66	1100	6.18	1146	6.72	1189	7.25
9900	1024	5.70	1074	6.25	1121	6.80	1166	7.36	1209	7.92
10450	1047	6.30	1096	6.88	1143	7.47	1187	8.05	1230	8.64
11000	1071	6.96	1119	7.57	1165	8.18	1209	8.79	1251	9.41
11550	1095	7.66	1142	8.30	1188	8.94	1231	9.58	1273	10.23
12100	1119	8.42	1166	9.09	1211	9.76	1253	10.43	1295	11.10
12650	1144	9.24	1190	9.93	1234	10.63	1276	11.33	-----	-----
13200	1169	10.10	1215	10.83	1258	11.56	1300	12.29	-----	-----
13750	1195	11.03	1240	11.79	1282	12.55	-----	-----	-----	-----
Std Static Motor and Drive – 751–954 RPM, Max BHP 6.5					Medium Static Motor and Drive – 920–1190 RPM, Max BHP 10.5					
High Static Motor & Drive – 1116–1400 RPM, Max BHP 11.9					----- Outside operating range					
Boldface – Field Supplied Drive					<i>ITALIC</i> – Field Supplied Motor					

FAN PERFORMANCE (cont.)

Table 10 – PULLEY ADJUSTMENT - VERTICAL

UNIT	MOTOR/DRIVE COMBO	MOTOR PULLEY TURNS OPEN										
		0	0.5	1	1.5	2	2.5	3	3.5	4	4.5	5
17	Standard Static	680	663	647	630	614	597	580	564	547	531	514
	Medium Static	863	845	826	808	789	771	753	734	716	697	679
	High Static	1009	991	972	954	936	918	899	881	863	844	826
20	Standard Static	822	802	782	762	742	722	702	682	662	642	622
	Medium Static	879	862	846	829	813	796	779	763	746	730	713
	High Static	1078	1058	1039	1019	1000	980	960	941	921	902	882
24	Standard Static	863	846	828	811	794	777	759	742	725	707	690
	Medium Static	1021	1002	984	965	947	928	909	891	872	854	835
	High Static	1176	1153	1129	1106	1082	1059	1035	1012	988	965	941
28	Standard Static	911	892	872	853	833	814	795	775	756	736	717
	Medium Static	1116	1096	1075	1055	1035	1015	994	974	954	933	913
	High Static	1176	1153	1129	1106	1082	1059	1035	1012	988	965	941
30	Standard Static	954	934	913	893	873	853	832	812	792	771	751
	Medium Static	1190	1163	1136	1109	1082	1055	1028	1001	974	947	920
	High Static	1400	1372	1343	1315	1286	1258	1230	1201	1173	1144	1116

NOTE: Do not adjust pulley further than 5 turns open.

■ – Factory settings

ELECTRICAL DATA FOR UNITS PRODUCED ON OR AFTER JULY 30, 2012

NOTE: Check the serial number of unit to verify production date.

To confirm the date of manufacture, locate the unit nameplate and check the first four digits of the Serial Number. If the number listed in the first 4 digits of the Serial Number is 3112 or higher, the unit was produced on or after July 30, 2012.

Position:	1	2	3	4	5	6	7	8	9	10
Example:	3	1	1	2	U	1	2	3	4	5

Week of manufacture (fiscal calendar)		Sequence number
Year of manufacture ("12" = 2012)		Manufacturing location

C12562A

Legend and Notes

LEGEND:

- BRKR - Circuit breaker
- CO - Convenience outlet
- DISC - Disconnect
- FLA - Full load amps
- LRA - Locked rotor amps
- MCA - Minimum circuit amps
- PE - Power exhaust
- PWRD CO - Powered convenient outlet
- UNPWR CO - Unpowered convenient outlet



Example: Supply voltage is 230-3-60



AB = 224 v
BC = 231 v
AC = 226 v

$$\text{Average Voltage} = \frac{(224 + 231 + 226)}{3} = \frac{681}{3} = 227$$

Determine maximum deviation from average voltage.

(AB) $227 - 224 = 3 \text{ v}$

(BC) $231 - 227 = 4 \text{ v}$

(AC) $227 - 226 = 1 \text{ v}$

Maximum deviation is 4 v.

Determine percent of voltage imbalance.

$$\begin{aligned} \% \text{ Voltage Imbalance} &= 100 \times \frac{4}{227} \\ &= 1.76\% \end{aligned}$$

This amount of phase imbalance is satisfactory as it is below the maximum allowable 2%.

IMPORTANT: If the supply voltage phase imbalance is more than 2%, contact your local electric utility company immediately.

$$\% \text{ Voltage Imbalance} = 100 \times \frac{\text{max voltage deviation from average voltage}}{\text{average voltage}}$$

ELECTRICAL INFORMATION
(UNITS PRODUCED ON OR AFTER JULY 30, 2012)

Table 11 – 2-STAGE COOLING WITH SINGLE SPEED INDOOR FAN MOTOR

15 - 27.5 TONS

UNIT	V-Ph-Hz	VOLTAGE RANGE		COMP 1		COMP 2		OFM (ea)		IFM		
		MIN	MAX	RLA	LRA	RLA	LRA	WATTS	FLA	TYPE	EFF at Full Load	FLA
50TC**17	208-3-60	187	253	29.5	195	30.1	225	350	1.5	STD	88.6%	8.4
										MED	87.0%	10.6
										HIGH	82.9%	13.6
	230-3-60	187	253	29.5	195	30.1	225	350	1.5	STD	88.6%	8.3
										MED	87.0%	10.6
										HIGH	82.9%	12.7
	460-3-60	414	506	14.7	95	16.7	114	277	0.9	STD	88.6%	4.2
										MED	87.0%	5.3
										HIGH	82.9%	6.4
	575-3-60	518	633	12.2	80	12.2	80	397	0.6	STD	81.1%	2.8
										MED	81.1%	2.8
										HIGH	83.6%	5.6
50TC**20	208-3-60	187	253	29.5	195	30.1	225	350	1.5	STD	87.0%	10.6
										MED	82.9%	13.6
										HIGH-High Eff.	89.5%	17.1
	230-3-60	187	253	29.5	195	30.1	225	350	1.5	STD	87.0%	10.6
										MED	82.9%	12.7
										HIGH-High Eff.	89.5%	17.1
	460-3-60	414	506	14.7	95	16.7	114	277	0.9	STD	87.0%	5.3
										MED	82.9%	6.4
										HIGH-High Eff.	89.5%	8.6
	575-3-60	518	633	12.2	80	12.2	80	397	0.6	STD	81.1%	2.8
										MED	83.6%	5.6
										HIGH-High Eff.	89.5%	7.6
50TC**24	208-3-60	187	253	48.1	245	29.5	195	350	1.5	STD	82.9%	13.6
										MED-High Eff.	89.5%	17.1
										HIGH-High Eff.	91.7%	28.5
	230-3-60	187	253	48.1	245	29.5	195	350	1.5	STD	82.9%	12.7
										MED-High Eff.	89.5%	17.1
										HIGH-High Eff.	91.7%	28.5
	460-3-60	414	506	18.6	125	14.7	95	277	0.9	STD	82.9%	6.4
										MED-High Eff.	89.5%	8.6
										HIGH-High Eff.	91.7%	14.3
	575-3-60	518	633	14.7	100	12.2	80	397	0.6	STD	83.6%	5.6
										MED-High Eff.	89.5%	7.6
										HIGH-High Eff.	91.7%	9.5

See: "Legend and Notes" on page 43

ELECTRICAL INFORMATION
(UNITS PRODUCED ON OR AFTER JULY 30, 2012) cont.

Table 11 - 2-STAGE COOLING WITH SINGLE INDOOR FAN MOTOR

15 - 27.5 TONS (CONTINUED)

UNIT	V-Ph-Hz	VOLTAGE RANGE		COMP 1		COMP 2		OFM (ea)		IFM		
		MIN	MAX	RLA	LRA	RLA	LRA	WATTS	FLA	TYPE	EFF at Full Load	FLA
50TC**28	208-3-60	187	253	48.1	245	48.1	245	350	1.5	STD	82.9%	13.6
										MED-High Eff.	89.5%	17.1
										HIGH-High Eff.	91.7%	28.5
	230-3-60	187	253	48.1	245	48.1	245	350	1.5	STD	82.9%	12.7
										MED-High Eff.	89.5%	17.1
										HIGH-High Eff.	91.7%	28.5
	460-3-60	414	506	18.6	125	18.6	125	277	0.9	STD	82.9%	6.4
										MED-High Eff.	89.5%	8.6
										HIGH-High Eff.	91.7%	14.3
	575-3-60	518	633	14.7	100	14.7	100	397	0.6	STD	83.6%	5.6
										MED-High Eff.	89.5%	7.6
										HIGH-High Eff.	91.7%	9.5
50TC**30	208-3-60	187	253	51.3	300	51.3	300	350	1.5	STD	89.5%	17.1
										MED-High Eff.	91.7%	28.5
										HIGH-High Eff.	91.7%	30.4
	230-3-60	187	253	51.3	300	51.3	300	350	1.5	STD	89.5%	17.1
										MED-High Eff.	91.7%	28.5
										HIGH-High Eff.	91.7%	30.4
	460-3-60	414	506	23.1	150	23.1	150	277	0.9	STD	89.5%	8.6
										MED-High Eff.	91.7%	14.3
										HIGH-High Eff.	91.7%	15.2
	575-3-60	518	633	19.9	109	19.9	109	397	0.6	STD	89.5%	7.6
										MED-High Eff.	91.7%	9.5
										HIGH-High Eff.	91.7%	12.4

See: "Legend and Notes" on page 43

ELECTRICAL INFORMATION
(UNITS PRODUCED ON OR AFTER JULY 30, 2012) cont.

Table 12 – 2-STAGE COOLING WITH 2-SPEED INDOOR FAN MOTOR

15 - 27.5 TONS

UNIT	V-Ph-Hz	VOLTAGE RANGE		COMP 1		COMP 2		OFM (ea)		IFM		
		MIN	MAX	RLA	LRA	RLA	LRA	WATTS	FLA	TYPE	EFF at Full Load	FLA
50TC**17	208-3-60	187	253	29.5	195	30.1	225	350	1.5	STD	85.0%	8.6
										MED	81.5%	10.8
										HIGH	83.6%	13.6
	230-3-60	187	253	29.5	195	30.1	225	350	1.5	STD	85.0%	7.8
										MED	81.5%	9.8
										HIGH	83.6%	12.7
	460-3-60	414	506	14.7	95	16.7	114	277	0.9	STD	85.0%	3.8
										MED	81.5%	4.9
										HIGH	83.6%	6.4
	575-3-60	518	633	12.2	80	12.2	80	397	0.6	STD	81.1%	4.5
										MED	81.1%	4.5
										HIGH	83.6%	6.2
50TC**20	208-3-60	187	253	29.5	195	30.1	225	350	1.5	STD	81.5%	10.8
										MED	83.6%	13.6
										HIGH	89.5%	17.1
	230-3-60	187	253	29.5	195	30.1	225	350	1.5	STD	81.5%	9.8
										MED	83.6%	12.7
										HIGH	89.5%	17.1
	460-3-60	414	506	14.7	95	16.7	114	277	0.9	STD	81.5%	4.9
										MED	83.6%	6.4
										HIGH	89.5%	8.6
	575-3-60	518	633	12.2	80	12.2	80	397	0.6	STD	81.1%	4.5
										MED	83.6%	6.2
										HIGH	89.5%	7.6
50TC**24	208-3-60	187	253	48.1	245	29.5	195	350	1.5	STD	83.6%	13.6
										MED	89.5%	17.1
										HIGH	91.7%	28.5
	230-3-60	187	253	48.1	245	29.5	195	350	1.5	STD	83.6%	12.7
										MED	89.5%	17.1
										HIGH	91.7%	28.5
	460-3-60	414	506	18.6	125	14.7	95	277	0.9	STD	83.6%	6.4
										MED	89.5%	8.6
										HIGH	91.7%	14.3
	575-3-60	518	633	14.7	100	12.2	80	397	0.6	STD	83.6%	6.2
										MED	89.5%	7.6
										HIGH	91.7%	9.5
50TC**28	208-3-60	187	253	48.1	245	48.1	245	350	1.5	STD	83.6%	13.6
										MED	89.5%	17.1
										HIGH	91.7%	28.5
	230-3-60	187	253	48.1	245	48.1	245	350	1.5	STD	83.6%	12.7
										MED	89.5%	17.1
										HIGH	91.7%	28.5
	460-3-60	414	506	18.6	125	18.6	125	277	0.9	STD	83.6%	6.4
										MED	89.5%	8.6
										HIGH	91.7%	14.3
	575-3-60	518	633	14.7	100	14.7	100	397	0.6	STD	83.6%	6.2
										MED	89.5%	7.6
										HIGH	91.7%	9.5
50TC**30	208-3-60	187	253	51.3	300	51.3	300	350	1.5	STD	89.5%	17.1
										MED	91.7%	28.5
										HIGH	91.7%	30.4
	230-3-60	187	253	51.3	300	51.3	300	350	1.5	STD	89.5%	17.1
										MED	91.7%	28.5
										HIGH	91.7%	30.4
	460-3-60	414	506	23.1	150	23.1	150	277	0.9	STD	89.5%	8.6
										MED	91.7%	14.3
										HIGH	91.7%	15.2
	575-3-60	518	633	19.9	109	19.9	109	397	0.6	STD	89.5%	7.6
										MED	91.7%	9.5
										HIGH	91.7%	12.4

See: "Legend and Notes" on page 43

**ELECTRIC HEAT - ELECTRICAL INFORMATION
(UNITS PRODUCED ON OR AFTER JULY 30, 2012) cont.**

Table 13 – 50TC17**

1-SPEED INDOOR FAN MOTOR

Model Number 50TC**	NOM. V-Ph-Hz	IFM TYPE	Electric Heater Part Number CRHEATERXXXXX	Nominal (kW)	Application (kW)	Application Output (MBH)	Single Point or Junction Kit Part Number CRSINGLEXXXA00			
							NO C.O. Or Unpowered C.O.		w/PWRD C.O.	
							NO P.E.	w/ P.E. (pwrd fr/unit)	NO P.E.	w/ P.E. (pwrd fr/unit)
17	208/230-3-60	STD	279A00	25.0	18.8/23.0	64.1/78.3	-	-	-	-
			280A00	50.0	37.6/45.9	128.1/156.7	056	056	056	056
			281A00	75.0	56.3/68.9	192.2/235.0	056	056	056	056
		MED	279A00	25.0	18.8/23.0	64.1/78.3	-	-	-	-
			280A00	50.0	37.6/45.9	128.1/156.7	056	056	056	056
			281A00	75.0	56.3/68.9	192.2/235.0	056	056	056	056
		HIGH	279A00	25.0	18.8/23.0	64.1/78.3	-	-	-	-
			280A00	50.0	37.6/45.9	128.1/156.7	056	056	056	056
			281A00	75.0	56.3/68.9	192.2/235.0	056	056	056	056
	460-3-60	STD	282A00	25.0	23.0	78.3	-	-	-	-
			283A00	50.0	45.9	156.7	-	057	057	057
			284A00	75.0	68.9	235.0	057	057	057	057
		MED	282A00	25.0	23.0	78.3	-	-	-	-
			283A00	50.0	45.9	156.7	057	057	057	057
			284A00	75.0	68.9	235.0	057	057	057	057
		HIGH	282A00	25.0	23.0	78.3	-	-	-	-
			283A00	50.0	45.9	156.7	057	057	057	057
			284A00	75.0	68.9	235.0	057	057	057	057
	575-3-60	STD	285A00	24.8	22.8	77.7	-	-	-	-
			286A00	49.6	45.6	155.4	-	-	-	057
			287A00	74.4	68.3	233.1	057	057	057	057
		MED	285A00	24.8	22.8	77.7	-	-	-	-
			286A00	49.6	45.6	155.4	-	-	-	057
			287A00	74.4	68.3	233.1	057	057	057	057
		HIGH	285A00	24.8	22.8	77.7	-	-	-	-
			286A00	49.6	45.6	155.4	-	057	-	057
			287A00	74.4	68.3	233.1	057	057	057	057

See: "Legend and Notes" on page 43

**ELECTRIC HEAT - ELECTRICAL INFORMATION
(UNITS PRODUCED ON OR AFTER JULY 30, 2012) cont.**

Table 14 – 50TC20**

1-SPEED INDOOR FAN MOTOR

Model Number 50TC**	NOM. V-Ph-Hz	IFM TYPE	Electric Heater Part Number CRHEATERXXXXX	Nominal (kW)	Application (kW)	Application Output (MBH)	Single Point or Junction Kit Part Number CRSINGLEXXXA00			
							NO C.O. Or Unpowered C.O.		w/PWRD C.O.	
							NO P.E.	w/ P.E. (pwrd fr/unit)	NO P.E.	w/ P.E. (pwrd fr/unit)
20	208/230-3-60	STD	279A00	25.0	18.8/23.0	64.1/78.3	-	-	-	-
			280A00	50.0	37.6/45.9	128.1/156.7	056	056	056	056
			281A00	75.0	56.3/68.9	192.2/235.0	056	056	056	056
		MED	279A00	25.0	18.8/23.0	64.1/78.3	-	-	-	-
			280A00	50.0	37.6/45.9	128.1/156.7	056	056	056	056
			281A00	75.0	56.3/68.9	192.2/235.0	056	056	056	056
		HIGH- High Eff.	279A00	25.0	18.8/23.0	64.1/78.3	-	-	-	-
			280A00	50.0	37.6/45.9	128.1/156.7	056	056	056	056
			281A00	75.0	56.3/68.9	192.2/235.0	056	056	056	056
	460-3-60	STD	282A00	25.0	23.0	78.3	-	-	-	-
			283A00	50.0	45.9	156.7	057	057	057	057
			284A00	75.0	68.9	235.0	057	057	057	057
		MED	282A00	25.0	23.0	78.3	-	-	-	-
			283A00	50.0	45.9	156.7	057	057	057	057
			284A00	75.0	68.9	235.0	057	057	057	057
		HIGH- High Eff.	282A00	25.0	23.0	78.3	-	-	-	-
			283A00	50.0	45.9	156.7	057	057	057	057
			284A00	75.0	68.9	235.0	057	057	057	057
	575-3-60	STD	285A00	24.8	22.8	77.7	-	-	-	-
			286A00	49.6	45.6	155.4	-	-	-	057
			287A00	74.4	68.3	233.1	057	057	057	057
		MED	285A00	24.8	22.8	77.7	-	-	-	-
			286A00	49.6	45.6	155.4	-	057	-	057
			287A00	74.4	68.3	233.1	057	057	057	057
		HIGH- High Eff.	285A00	24.8	22.8	77.7	-	-	-	-
			286A00	49.6	45.6	155.4	-	057	057	057
			287A00	74.4	68.3	233.1	057	057	057	057

See: "Legend and Notes" on page 43

**ELECTRIC HEAT - ELECTRICAL INFORMATION
(UNITS PRODUCED ON OR AFTER JULY 30, 2012) cont.**

Table 15 – 50TC24**

1-SPEED INDOOR FAN MOTOR

Model Number 50TC**	NOM. V-Ph-Hz	IFM TYPE	Electric Heater Part Number CRHEATERXXXXX	Nominal (kW)	Application (kW)	Application Output (MBH)	Single Point or Junction Kit Part Number CRSINGLEXXA00			
							NO C.O. Or Unpowered C.O.		w/PWRD C.O.	
							NO P.E.	w/ P.E. (pwrd fr/unit)	NO P.E.	w/ P.E. (pwrd fr/unit)
24	208/203-3-60	STD	279A00	25.0	18.8/23.0	64.1/78.3	056	056	056	056
			280A00	50.0	37.6/45.9	128.1/156.7	056	056	056	056
			281A00	75.0	56.3/68.9	192.2/235.0	056	056	056	056
		MED-High Eff.	279A00	25.0	18.8/23.0	64.1/78.3	056	056	056	056
			280A00	50.0	37.6/45.9	128.1/156.7	056	056	056	056
			281A00	75.0	56.3/68.9	192.2/235.0	056	056	056	056
		HIGH-High Eff.	279A00	25.0	18.8/23.0	64.1/78.3	056	056	056	056
			280A00	50.0	37.6/45.9	128.1/156.7	056	056	056	056
			281A00	75.0	56.3/68.9	192.2/235.0	056	056	056	056
	460-3-60	STD	282A00	25.0	23.0	78.3	-	-	-	-
			283A00	50.0	45.9	156.7	057	057	057	057
			284A00	75.0	68.9	235.0	057	057	057	057
		MED-High Eff.	282A00	25.0	23.0	78.3	-	-	-	-
			283A00	50.0	45.9	156.7	057	057	057	057
			284A00	75.0	68.9	235.0	057	057	057	057
		HIGH-High Eff.	282A00	25.0	23.0	78.3	-	057	-	057
			283A00	50.0	45.9	156.7	057	057	057	057
			284A00	75.0	68.9	235.0	057	057	057	057
	575-3-60	STD	285A00	24.8	22.8	77.7	-	-	-	-
			286A00	49.6	45.6	155.4	-	057	-	057
			287A00	74.4	68.3	233.1	057	057	057	057
		MED-High Eff.	285A00	24.8	22.8	77.7	-	-	-	-
			286A00	49.6	45.6	155.4	-	057	057	057
			287A00	74.4	68.3	233.1	057	057	057	057
		HIGH-High Eff.	285A00	24.8	22.8	77.7	-	-	-	-
			286A00	49.6	45.6	155.4	057	057	057	057
			287A00	74.4	68.3	233.1	057	057	057	057

See: "Legend and Notes" on page 43

**ELECTRIC HEAT - ELECTRICAL INFORMATION
(UNITS PRODUCED ON OR AFTER JULY 30, 2012) cont.**

Table 16 – 50TC28**

1-SPEED INDOOR FAN MOTOR

Model Number 50TC**	NOM. V-Ph-Hz	IFM TYPE	Electric Heater Part Number CRHEATERXXXXX	Nominal (kW)	Application (kW)	Application Output (MBH)	Single Point or Junction Kit Part Number CRSINGLEXXXA00			
							NO C.O. Or Unpowered C.O.		w/PWRD C.O.	
							NO P.E.	w/ P.E. (pwrd fr/unit)	NO P.E.	w/ P.E. (pwrd fr/unit)
28	208/230-3-60	STD	279A00	25.0	18.8/23.0	64.1/78.3	056	056	056	056
			280A00	50.0	37.6/45.9	128.1/156.7	056	056	056	056
			281A00	75.0	56.3/68.9	192.2/235.0	056	056	056	056
		MED-High Eff.	279A00	25.0	18.8/23.0	64.1/78.3	056	056	056	056
			280A00	50.0	37.6/45.9	128.1/156.7	056	056	056	056
			281A00	75.0	56.3/68.9	192.2/235.0	056	056	056	056
		HIGH-High Eff.	279A00	25.0	18.8/23.0	64.1/78.3	056	056	056	056
			280A00	50.0	37.6/45.9	128.1/156.7	056	056	056	056
			281A00	75.0	56.3/68.9	192.2/235.0	056	056	056	056
	460-3-60	STD	282A00	25.0	23.0	78.3	-	-	-	-
			283A00	50.0	45.9	156.7	057	057	057	057
			284A00	75.0	68.9	235.0	057	057	057	057
		MED-High Eff.	282A00	25.0	23.0	78.3	-	-	-	057
			283A00	50.0	45.9	156.7	057	057	057	057
			284A00	75.0	68.9	235.0	057	057	057	057
		HIGH-High Eff.	282A00	25.0	23.0	78.3	-	057	057	057
			283A00	50.0	45.9	156.7	057	057	057	057
			284A00	75.0	68.9	235.0	057	057	057	057
	575-3-60	STD	285A00	24.8	22.8	77.7	-	-	-	-
			286A00	49.6	45.6	155.4	-	057	-	057
			287A00	74.4	68.3	233.1	057	057	057	057
		MED-High Eff.	285A00	24.8	22.8	77.7	-	-	-	-
			286A00	49.6	45.6	155.4	-	057	057	057
			287A00	74.4	68.3	233.1	057	057	057	057
		HIGH-High Eff.	285A00	24.8	22.8	77.7	-	-	-	-
			286A00	49.6	45.6	155.4	057	057	057	057
			287A00	74.4	68.3	233.1	057	057	057	057

See: "Legend and Notes" on page 43

**ELECTRIC HEAT - ELECTRICAL INFORMATION
(UNITS PRODUCED ON OR AFTER JULY 30, 2012) cont.**

Table 17 – 50TC30**

1-SPEED INDOOR FAN MOTOR

Model Number 50TC**	NOM. V-Ph-Hz	IFM TYPE	Electric Heater Part Number CRHEATERXXXXX	Nominal (kW)	Application (kW)	Application Output (MBH)	Single Point or Junction Kit Part Number CRSINGLEXXXA00				
							NO C.O. Or Unpowered C.O.		w/PWRD C.O.		
							NO P.E.	w/ P.E. (pwrd fr/unit)	NO P.E.	w/ P.E. (pwrd fr/unit)	
25	208/203-3-60	STD	270A00	25.0	18.8/23.0	64.1/78.3	-	-	-	-	
			271A00	50.0	37.6/45.9	128.1/156.7	056	056	056	056	
			272A00	75.0	56.3/68.9	192.2/235.0	056	056	056	056	
		MED-High Eff.	270A00	25.0	18.8/23.0	64.1/78.3	-	-	-	-	
			271A00	50.0	37.6/45.9	128.1/156.7	056	056	056	056	
			272A00	75.0	56.3/68.9	192.2/235.0	056	056	056	056	
		HIGH-High Eff.	270A00	25.0	18.8/23.0	64.1/78.3	-	056	-	056	
			271A00	50.0	37.6/45.9	128.1/156.7	056	056	056	056	
			272A00	75.0	56.3/68.9	192.2/235.0	056	056	056	056	
		460-3-60	STD	273A00	25.0	23.0	78.3	-	-	-	-
				274A00	50.0	45.9	156.7	057	057	057	057
				275A00	75.0	68.9	235.0	057	057	057	057
	MED-High Eff.		273A00	25.0	23.0	78.3	-	-	-	-	
			274A00	50.0	45.9	156.7	057	057	057	057	
			275A00	75.0	68.9	235.0	057	057	057	057	
	HIGH-High Eff.		273A00	25.0	23.0	78.3	-	-	-	057	
			274A00	50.0	45.9	156.7	057	057	057	057	
			275A00	75.0	68.9	235.0	057	057	057	057	
	575-3-60	STD	276A00	24.8	22.8	77.7	-	-	-	-	
			277A00	49.6	45.6	155.4	-	057	-	057	
			278A00	74.4	68.3	233.1	057	057	057	057	
		MED-High Eff.	276A00	24.8	22.8	77.7	-	-	-	-	
			277A00	49.6	45.6	155.4	-	057	057	057	
			278A00	74.4	68.3	233.1	057	057	057	057	
		HIGH-High Eff.	276A00	24.8	22.8	77.7	-	-	-	-	
			277A00	49.6	45.6	155.4	057	057	057	057	
			278A00	74.4	68.3	233.1	057	057	057	057	

See: "Legend and Notes" on page 43

**ELECTRIC HEAT - ELECTRICAL INFORMATION
(UNITS PRODUCED ON OR AFTER JULY 30, 2012) cont.**

Table 18 – 50TC17**

2-SPEED INDOOR FAN MOTOR

Model Number 50TC	NOM. V-Ph-Hz	IFM TYPE	Electric Heater Part Number CRHEATERXXXXXX	Nominal (kW)	Application (kW)	Application Output (MBH)	Single Point or Junction Kit Part Number CRSINGLEXXXXA00			
							NO C.O. Or Unpowered C.O.		w/PWRD C.O.	
							NO P.E.	w/ P.E. (pwrd fr/unit)	NO P.E.	w/ P.E. (pwrd fr/unit)
**17	208/230-3-60	STD	279A00	25.0	18.8/23.0	64.1/78.3	-	-	-	-
			280A00	50.0	37.6/45.9	128.1/156.7	056	056	056	056
			281A00	75.0	56.3/68.9	192.2/235.0	056	056	056	056
		MED	279A00	25.0	18.8/23.0	64.1/78.3	-	-	-	-
			280A00	50.0	37.6/45.9	128.1/156.7	056	056	056	056
			281A00	75.0	56.3/68.9	192.2/235.0	056	056	056	056
		HIGH	279A00	25.0	18.8/23.0	64.1/78.3	-	-	-	-
			280A00	50.0	37.6/45.9	128.1/156.7	056	056	056	056
			281A00	75.0	56.3/68.9	192.2/235.0	056	056	056	056
	460-3-60	STD	282A00	25.0	23.0	78.3	-	-	-	-
			283A00	50.0	45.9	156.7	-	057	057	057
			284A00	75.0	68.9	235.0	057	057	057	057
		MED	282A00	25.0	23.0	78.3	-	-	-	-
			283A00	50.0	45.9	156.7	057	057	057	057
			284A00	75.0	68.9	235.0	057	057	057	057
		HIGH	282A00	25.0	23.0	78.3	-	-	-	-
			283A00	50.0	45.9	156.7	057	057	057	057
			284A00	75.0	68.9	235.0	057	057	057	057
	575-3-60	STD	285A00	24.8	22.8	77.7	-	-	-	-
			286A00	49.6	45.6	155.4	-	-	-	057
			287A00	74.4	68.3	233.1	057	057	057	057
		MED	285A00	24.8	22.8	77.7	-	-	-	-
			286A00	49.6	45.6	155.4	-	-	-	057
			287A00	74.4	68.3	233.1	057	057	057	057
		HIGH	285A00	24.8	22.8	77.7	-	-	-	-
			286A00	49.6	45.6	155.4	-	057	-	057
			287A00	74.4	68.3	233.1	057	057	057	057

See: "Legend and Notes" on page 43

**ELECTRIC HEAT - ELECTRICAL INFORMATION
(UNITS PRODUCED ON OR AFTER JULY 30, 2012) cont.**

Table 19 – 50TC20**

2-SPEED INDOOR FAN MOTOR

Model Number 50TC	NOM. V-Ph-Hz	IFM TYPE	Electric Heater Part Number CRHEATERXXXXXX	Nominal (kW)	Application (kW)	Application Output (MBH)	Single Point or Junction Kit Part Number CRSINGLEXXXXA00			
							NO C.O. Or Unpowered C.O.		w/PWRD C.O.	
							NO P.E.	w/ P.E. (pwrd fr/unit)	NO P.E.	w/ P.E. (pwrd fr/unit)
**20	208/230-3-60	STD	279A00	25.0	18.8/23.0	64.1/78.3	-	-	-	-
			280A00	50.0	37.6/45.9	128.1/156.7	056	056	056	056
			281A00	75.0	56.3/68.9	192.2/235.0	056	056	056	056
		MED	279A00	25.0	18.8/23.0	64.1/78.3	-	-	-	-
			280A00	50.0	37.6/45.9	128.1/156.7	056	056	056	056
			281A00	75.0	56.3/68.9	192.2/235.0	056	056	056	056
		HIGH- High Eff.	279A00	25.0	18.8/23.0	64.1/78.3	-	-	-	-
			280A00	50.0	37.6/45.9	128.1/156.7	056	056	056	056
			281A00	75.0	56.3/68.9	192.2/235.0	056	056	056	056
	460-3-60	STD	282A00	25.0	23.0	78.3	-	-	-	-
			283A00	50.0	45.9	156.7	057	057	057	057
			284A00	75.0	68.9	235.0	057	057	057	057
		MED	282A00	25.0	23.0	78.3	-	-	-	-
			283A00	50.0	45.9	156.7	057	057	057	057
			284A00	75.0	68.9	235.0	057	057	057	057
		HIGH- High Eff.	282A00	25.0	23.0	78.3	-	-	-	-
			283A00	50.0	45.9	156.7	057	057	057	057
			284A00	75.0	68.9	235.0	057	057	057	057
	575-3-60	STD	285A00	24.8	22.8	77.7	-	-	-	-
			286A00	49.6	45.6	155.4	-	-	-	057
			287A00	74.4	68.3	233.1	057	057	057	057
		MED	285A00	24.8	22.8	77.7	-	-	-	-
			286A00	49.6	45.6	155.4	-	057	-	057
			287A00	74.4	68.3	233.1	057	057	057	057
		HIGH- High Eff.	285A00	24.8	22.8	77.7	-	-	-	-
			286A00	49.6	45.6	155.4	-	057	057	057
			287A00	74.4	68.3	233.1	057	057	057	057

See: "Legend and Notes" on page 43

**ELECTRIC HEAT - ELECTRICAL INFORMATION
(UNITS PRODUCED ON OR AFTER JULY 30, 2012) cont.**

Table 20 – 50TC24**

2-SPEED INDOOR FAN MOTOR

Model Number 50TC	NOM. V-Ph-Hz	IFM TYPE	Electric Heater Part Number CRHEATERXXXXXX	Nominal (kW)	Application (kW)	Application Output (MBH)	Single Point or Junction Kit Part Number CRSINGLEXXXXA00			
							NO C.O. Or Unpowered C.O.		w/PWRD C.O.	
							NO P.E.	w/ P.E. (pwrd fr/unit)	NO P.E.	w/ P.E. (pwrd fr/unit)
**24	208/203-3-60	STD	279A00	25.0	18.8/23.0	64.1/78.3	056	056	056	056
			280A00	50.0	37.6/45.9	128.1/156.7	056	056	056	056
			281A00	75.0	56.3/68.9	192.2/235.0	056	056	056	056
		MED- High Eff.	279A00	25.0	18.8/23.0	64.1/78.3	056	056	056	056
			280A00	50.0	37.6/45.9	128.1/156.7	056	056	056	056
			281A00	75.0	56.3/68.9	192.2/235.0	056	056	056	056
		HIGH- High Eff.	279A00	25.0	18.8/23.0	64.1/78.3	056	056	056	056
			280A00	50.0	37.6/45.9	128.1/156.7	056	056	056	056
			281A00	75.0	56.3/68.9	192.2/235.0	056	056	056	056
	460-3-60	STD	282A00	25.0	23.0	78.3	-	-	-	-
			283A00	50.0	45.9	156.7	057	057	057	057
			284A00	75.0	68.9	235.0	057	057	057	057
		MED- High Eff.	282A00	25.0	23.0	78.3	-	-	-	-
			283A00	50.0	45.9	156.7	057	057	057	057
			284A00	75.0	68.9	235.0	057	057	057	057
		HIGH- High Eff.	282A00	25.0	23.0	78.3	-	057	-	057
			283A00	50.0	45.9	156.7	057	057	057	057
			284A00	75.0	68.9	235.0	057	057	057	057
	575-3-60	STD	285A00	24.8	22.8	77.7	-	-	-	-
			286A00	49.6	45.6	155.4	-	057	-	057
			287A00	74.4	68.3	233.1	057	057	057	057
		MED- High Eff.	285A00	24.8	22.8	77.7	-	-	-	-
			286A00	49.6	45.6	155.4	-	057	057	057
			287A00	74.4	68.3	233.1	057	057	057	057
		HIGH- High Eff.	285A00	24.8	22.8	77.7	-	-	-	-
			286A00	49.6	45.6	155.4	057	057	057	057
			287A00	74.4	68.3	233.1	057	057	057	057

See: "Legend and Notes" on page 43

ELECTRIC HEAT - ELECTRICAL INFORMATION

(UNITS PRODUCED ON OR AFTER JULY 30, 2012) cont.

Table 21 – 50TC**28

2-SPEED INDOOR FAN MOTOR

Model Number 50TC	NOM. V-Ph-Hz	IFM TYPE	Electric Heater Part Number CRHEATERXXXXXX	Nominal (kW)	Application (kW)	Application Output (MBH)	Single Point or Junction Kit Part Number CRSINGLEXXXXA00			
							NO C.O. Or Unpowered C.O.		w/PWRD C.O.	
							NO P.E.	w/ P.E. (pwrd fr/unit)	NO P.E.	w/ P.E. (pwrd fr/unit)
**28	208/230-3-60	STD	279A00	25.0	18.8/23.0	64.1/78.3	056	056	056	056
			280A00	50.0	37.6/45.9	128.1/156.7	056	056	056	056
			281A00	75.0	56.3/68.9	192.2/235.0	056	056	056	056
		MED- High Eff.	279A00	25.0	18.8/23.0	64.1/78.3	056	056	056	056
			280A00	50.0	37.6/45.9	128.1/156.7	056	056	056	056
			281A00	75.0	56.3/68.9	192.2/235.0	056	056	056	056
		HIGH- High Eff.	279A00	25.0	18.8/23.0	64.1/78.3	056	056	056	056
			280A00	50.0	37.6/45.9	128.1/156.7	056	056	056	056
			281A00	75.0	56.3/68.9	192.2/235.0	056	056	056	056
	460-3-60	STD	282A00	25.0	23.0	78.3	-	-	-	-
			283A00	50.0	45.9	156.7	057	057	057	057
			284A00	75.0	68.9	235.0	057	057	057	057
		MED- High Eff.	282A00	25.0	23.0	78.3	-	-	-	057
			283A00	50.0	45.9	156.7	057	057	057	057
			284A00	75.0	68.9	235.0	057	057	057	057
		HIGH- High Eff.	282A00	25.0	23.0	78.3	-	057	057	057
			283A00	50.0	45.9	156.7	057	057	057	057
			284A00	75.0	68.9	235.0	057	057	057	057
	575-3-60	STD	285A00	24.8	22.8	77.7	-	-	-	-
			286A00	49.6	45.6	155.4	-	057	-	057
			287A00	74.4	68.3	233.1	057	057	057	057
		MED- High Eff.	285A00	24.8	22.8	77.7	-	-	-	-
			286A00	49.6	45.6	155.4	-	057	057	057
			287A00	74.4	68.3	233.1	057	057	057	057
		HIGH- High Eff.	285A00	24.8	22.8	77.7	-	-	-	-
			286A00	49.6	45.6	155.4	057	057	057	057
			287A00	74.4	68.3	233.1	057	057	057	057

See: "Legend and Notes" on page 43

**ELECTRIC HEAT - ELECTRICAL INFORMATION
(UNITS PRODUCED ON OR AFTER JULY 30, 2012) cont.**

Table 22 – 50TC30**

2-SPEED INDOOR FAN MOTOR

Model Number 50TC	NOM. V-Ph-Hz	IFM TYPE	Electric Heater Part Number CRHEATERXXXXXX	Nominal (kW)	Application (kW)	Application Output (MBH)	Single Point or Junction Kit Part Number CRSINGLEXXXXA00			
							NO C.O. or Un- powered C.O.		w/PWRD C.O.	
							NO P.E.	w/ P.E. (pwrd fr/unit)	NO P.E.	w/ P.E. (pwrd fr/unit)
**30	208/230-3-60	STD	279A00	25.0	18.8/23.0	64.1/78.3	056	056	056	056
			280A00	50.0	37.6/45.9	128.1/156.7	056	056	056	056
			281A00	75.0	56.3/68.9	192.2/235.0	056	056	056	056
		MED- High Eff.	279A00	25.0	18.8/23.0	64.1/78.3	056	056	056	056
			280A00	50.0	37.6/45.9	128.1/156.7	056	056	056	056
			281A00	75.0	56.3/68.9	192.2/235.0	056	056	056	056
		HIGH- High Eff.	279A00	25.0	18.8/23.0	64.1/78.3	056	056	056	056
			280A00	50.0	37.6/45.9	128.1/156.7	056	056	056	056
			281A00	75.0	56.3/68.9	192.2/235.0	056	056	056	056
	460-3-60	STD	282A00	25.0	23.0	78.3	057	057	057	057
			283A00	50.0	45.9	156.7	057	057	057	057
			284A00	75.0	68.9	235.0	057	057	057	057
		MED- High Eff.	282A00	25.0	23.0	78.3	057	057	057	057
			283A00	50.0	45.9	156.7	057	057	057	057
			284A00	75.0	68.9	235.0	057	057	057	057
		HIGH- High Eff.	282A00	25.0	23.0	78.3	057	057	057	057
			283A00	50.0	45.9	156.7	057	057	057	057
			284A00	75.0	68.9	235.0	057	057	057	057
	575-3-60	STD	285A00	24.8	22.8	77.7	-	057	-	057
			286A00	49.6	45.6	155.4	-	057	057	057
			287A00	74.4	68.3	233.1	057	057	057	057
		MED- High Eff.	285A00	24.8	22.8	77.7	-	057	-	057
			286A00	49.6	45.6	155.4	057	057	057	057
			287A00	74.4	68.3	233.1	057	057	057	057
		HIGH- High Eff.	285A00	24.8	22.8	77.7	057	057	057	057
			286A00	49.6	45.6	155.4	057	057	057	057
			287A00	74.4	68.3	233.1	057	057	057	057

See: "Legend and Notes" on page 43

ELECTRICAL INFORMATION (UNITS PRODUCED ON OR AFTER JULY 30, 2012) cont.

Table 23 – Unit Wire/Fuse or HACR Breaker Sizing Data

UNIT	NO M, V - Ph - HZ	ELEC. HTR				NO C.O. or UNPWR C.O.						w/ PWRD C.O.								
		CRHEATER*****	Nom (kW)	FLA	MCA	NO PE.			w/ PE. (pwrdr fr/unit)			NO PE.			w/ PE. (pwrdr fr/unit)					
						MAX FUSE or HACR BRKR	DISC. SIZE FLA LRA	MCA	MAX FUSE or HACR BRKR	DISC. SIZE FLA LRA	MCA	MAX FUSE or HACR BRKR	DISC. SIZE FLA LRA	MCA	MAX FUSE or HACR BRKR	DISC. SIZE FLA LRA	MCA			
STD		NONE	-	-	80.0/79.9	100/100	83/83	501	91.8/91.7	100/100	97/97	521	84.8/84.7	100/100	89/89	506	96.6/96.5	125/125	102/102	526
		279A00	18.8/25.0	52.1/60.1	80.0/85.5	100/100	83/83	501/501	91.8/100.3	100/110	97/97	521/521	84.8/91.5	100/100	89/89	506/506	96.6/106.3	125/125	102/102	526/526
		280A00	37.6/50.0	104.2/120.3	140.8/130.7	150/150	129/148	501/501	155.5/145.4	175/175	143/161	521/521	146.8/136.7	150/150	135/153	506/506	161.5/151.4	175/175	149/167	526/526
		281A00	56.3/75.0	156.4/180.4	166.9/190.8	200/200	190/217	501/501	181.7/205.5	200/225	203/231	521/521	172.9/196.8	200/225	195/223	506/506	187.7/211.5	200/236	209/236	526/526
MED		NONE	-	-	82.2	100	86	515	94.0	110	99	535	87.0	100	91	520	98.8	125	105	540
		279A00	18.8/25.0	52.1/60.1	82.2/88.4	100/100	86/86	515/515	94.0/103.1	110/110	99/99	535/535	87.0/94.4	100/100	91/91	520/520	99.1/109.1	125/125	105/105	540/540
		280A00	37.6/50.0	104.2/120.3	143.5/133.6	150/150	132/151	515/515	158.3/148.3	175/175	148/164	535/535	149.5/139.6	150/150	138/156	520/520	164.3/154.3	175/175	151/170	540/540
		281A00	56.3/75.0	156.4/180.4	169.7/193.7	200/225	192/220	515/515	184.4/208.4	200/225	206/233	535/535	175.7/199.7	200/225	198/225	520/520	190.4/214.4	200/225	211/239	540/540
HIGH		NONE	-	-	85.2/84.3	100/100	89/88	517	97.0/96.1	125/125	103/102	537	90.0/89.1	100/100	95/94	522	101.8/100.9	125/125	108/107	542
		279A00	18.8/25.0	52.1/60.1	85.2/91.0	100/100	89/88	517/517	97.0/105.8	125/125	103/102	537/537	90.0/87.0	100/100	95/94	522/522	102.9/111.8	125/125	108/107	542/542
		280A00	37.6/50.0	104.2/120.3	147.3/136.2	150/150	135/153	517/517	162.0/150.9	175/175	149/167	537/537	153.3/142.2	175/175	141/158	522/522	168.0/156.9	175/175	155/172	542/542
		281A00	56.3/75.0	156.4/180.4	173.4/196.3	200/225	196/222	517/517	188.2/211.0	200/225	206/236	537/537	179.4/202.3	200/225	201/228	522/522	194.2/217.0	200/250	215/241	542/542
STD		NONE	-	-	42.5	50	44	251	48.7	60	51	263	44.7	60	47	253	50.9	60	54	265
		282A00	25	30.1	42.9	50	44	251	50.6	60	51	263	45.6	60	47	253	53.4	60	54	265
		283A00	50	60.1	65.4	70	74	251	73.1	80	81	263	68.1	80	76	253	75.9	80	84	265
		284A00	75	90.2	95.5	100	109	251	103.2	110	116	263	98.2	100	111	253	106	110	118	265
MED		NONE	-	-	43.6	60	45	258	49.8	60	52	270	45.8	60	48	260	52.0	60	55	272
		282A00	25	30.1	44.3	60	45	258	52	60	52	270	47	60	48	260	54.8	60	55	272
		283A00	50	60.1	66.7	80	75	258	74.5	80	82	270	69.5	80	78	260	77.2	80	85	272
		284A00	75	90.2	96.8	100	110	258	104.6	110	117	270	98.2	110	112	260	107.3	125	119	272
HIGH		NONE	-	-	44.7	60	47	259	50.9	60	54	271	46.9	60	49	261	53.1	60	56	273
		282A00	25	30.1	45.6	60	47	259	53.4	60	54	271	48.4	60	49	261	56.1	60	56	273
		283A00	50	60.1	68.1	80	76	259	75.9	80	84	271	70.9	80	79	261	78.6	80	86	273
		284A00	75	90.2	98.2	100	111	259	106	125	118	271	101	110	114	261	108.7	125	121	273
STD		NONE	-	-	32.1	40	33	188	36.9	45	39	196	33.8	45	35	190	38.6	50	41	198
		285A00	24.8	23.9	33.4	40	33	188	39.4	45	39	196	35.5	45	35	190	41.5	50	41	198
		286A00	49.6	47.7	63.1	70	58	188	69.1	70	64	196	65.3	70	60	190	71.3	80	66	198
		287A00	74.4	71.6	75.1	80	66	188	81.1	90	91	196	77.2	80	88	190	83.2	90	93	198
MED		NONE	-	-	32.1	40	33	188	36.9	45	39	196	33.8	45	35	190	38.6	50	41	198
		285A00	24.8	23.9	33.4	40	33	188	39.4	45	39	196	35.5	45	35	190	41.5	50	41	198
		286A00	49.6	47.7	63.1	70	58	188	69.1	70	64	196	65.3	70	60	190	71.3	80	66	198
		287A00	74.4	71.6	75.1	80	66	188	81.1	90	91	196	77.2	80	88	190	83.2	90	93	198
HIGH		NONE	-	-	34.9	45	37	202	39.7	50	42	210	36.6	45	39	204	41.4	50	44	212
		285A00	24.8	23.9	36.9	45	37	202	42.9	50	42	210	39	45	39	204	45	50	44	212
		286A00	49.6	47.7	66.6	70	61	202	72.6	80	67	210	68.8	70	63	204	74.8	80	69	212
		287A00	74.4	71.6	78.6	90	89	202	84.6	90	94	210	80.7	90	91	204	86.7	90	96	212

See: "Legend and Notes" on page 43

ELECTRICAL INFORMATION (UNITS PRODUCED ON OR AFTER JULY 30, 2012) cont.

Table 23 - Unit Wire/Fuse or HACR Breaker Sizing Data (cont)

UNIT	IFM TYPE	ELEC. HTR				NO. C.O. or UNPWR C.O.								W/ PWRD C.O.								
		CRHEATER*****	Nom (kW)	FLA	NO PE.				w/ P.E. (pwrdr fr/unit)				NO PE.				w/ P.E. (pwrdr fr/unit)					
					MCA	MAX FUSE or HACR BRKR	FLA	LRA	DISC. SIZE	MCA	MAX FUSE or HACR BRKR	FLA	LRA	DISC. SIZE	MCA	MAX FUSE or HACR BRKR	FLA	LRA	DISC. SIZE	MCA	MAX FUSE or HACR BRKR	FLA
50TC**20	STD	NONE	-	-	82.2	100	86	515	535	99	110	99	535	87.0	100	100	91	520	98.8	125	105	540
		279A00	18.8/25.0	52.1/60.1	82.2/88.4	100/100	86/86	515/515	535/535	99/99	110/110	99/99	535/535	87.0/94.4	100/100	100/100	91/91	520/520	99.1/109.1	125/125	105/105	540/540
		280A00	37.6/50.0	104.2/120.3	143.5/133.6	150/150	132/151	515/515	535/535	146/164	175/175	146/164	535/535	149.5/139.6	150/150	138/156	520/520	164.3/154.3	175/175	151/170	540/540	
		281A00	56.3/75.0	156.4/180.4	169.7/193.7	200/225	192/220	515/515	535/535	206/233	200/225	206/233	535/535	175.7/199.7	200/225	198/225	520/520	190.4/214.4	200/225	211/239	540/540	
460-3-60	MED	NONE	-	-	85.2/84.3	100/100	89/88	517	537	103/102	125/125	103/102	537	90.0/89.1	100/100	95/94	522	101.8/100.9	125/125	108/107	542	
		279A00	18.8/25.0	52.1/60.1	85.2/91.0	100/100	89/88	517/517	537/537	103/102	125/125	103/102	537/537	90.0/97.0	100/100	95/94	522/522	102.9/111.8	125/125	108/107	542/542	
		280A00	37.6/50.0	104.2/120.3	147.3/136.2	150/150	135/153	517/517	537/537	149/167	175/175	149/167	537/537	153.3/142.2	175/175	141/158	522/522	168.0/156.9	175/175	155/172	542/542	
		281A00	56.3/75.0	156.4/180.4	173.4/196.3	200/225	196/222	517/517	537/537	209/236	200/225	209/236	537/537	179.4/202.3	200/225	201/228	522/522	194.2/217.0	200/250	215/241	542/542	
575-3-60	HIGH - High Eff.	NONE	-	-	88.7	100	93	513	533	107	125	107	533	93.5	110	110	99	518	105.3	125	112	538
		279A00	18.8/25.0	52.1/60.1	88.7/96.5	100/100	93/93	513/513	533/533	107/107	125/125	107/107	533/533	93.5/102.5	110/110	99/99	518/518	107.3/117.3	125/125	112/112	538/538	
		280A00	37.6/50.0	104.2/120.3	151.6/141.7	175/175	139/158	513/513	533/533	159/172	175/175	159/172	533/533	157.6/147.7	175/175	145/164	518/518	172.4/162.4	175/175	159/177	538/538	
		281A00	56.3/75.0	156.4/180.4	177.8/201.8	200/225	200/227	513/513	533/533	213/241	200/250	213/241	533/533	183.8/207.8	200/225	205/233	518/518	198.5/222.5	200/250	219/246	538/538	
50TC**20	STD	NONE	-	-	43.6	60	45	258	270	52	60	52	270	45.8	60	60	48	260	52.0	60	55	272
		282A00	25	30.1	44.3	60	45	258	270	52	60	52	270	47	60	60	48	260	54.8	60	55	272
		283A00	50	60.1	66.7	80	75	258	270	82	80	80	270	69.5	80	80	78	260	77.2	80	85	272
		284A00	75	90.2	96.8	100	110	258	270	117	110	110	270	99.6	110	110	112	260	107.3	125	119	272
460-3-60	MED	NONE	-	-	44.7	60	47	259	271	54	60	54	271	46.9	60	60	49	261	53.1	60	56	273
		282A00	25	30.1	45.6	60	47	259	271	54	60	54	271	48.4	60	60	49	261	56.1	60	56	273
		283A00	50	60.1	70.9	80	76	259	271	84	80	80	271	70.9	80	80	79	261	78.6	80	86	273
		284A00	75	90.2	98.2	100	111	259	271	118	110	110	271	101	110	110	114	261	108.7	125	121	273
575-3-60	HIGH - High Eff.	NONE	-	-	46.9	60	49	257	269	56	60	56	269	49.1	60	60	52	259	55.3	60	59	271
		282A00	25	30.1	48.4	60	49	257	269	56	60	56	269	51.1	60	60	52	259	58.9	60	59	271
		283A00	50	60.1	70.9	80	79	257	269	86	80	80	269	73.6	80	80	82	259	81.4	90	89	271
		284A00	75	90.2	101	110	114	257	269	121	125	125	269	103.7	125	125	116	259	111.5	125	123	271
575-3-60	STD	NONE	-	-	32.1	40	33	188	196	39	45	39	196	33.8	45	45	35	190	38.6	50	41	198
		285A00	24.8	23.9	33.4	40	33	188	196	39	45	39	196	35.5	45	45	35	190	41.5	50	41	198
		286A00	49.6	47.7	63.1	70	58	188	196	64	70	70	196	65.3	70	70	60	190	71.3	80	66	198
		287A00	74.4	71.6	75.1	80	86	188	196	91	90	90	196	77.2	80	80	88	190	83.2	90	93	198
575-3-60	MED	NONE	-	-	34.9	45	37	202	210	42	50	42	210	36.6	45	45	39	204	41.4	50	44	212
		285A00	24.8	23.9	36.9	45	37	202	210	42	50	42	210	39	45	45	39	204	45	50	44	212
		286A00	49.6	47.7	66.6	70	61	202	210	67	80	80	210	68.8	70	70	63	204	74.8	80	69	212
		287A00	74.4	71.6	78.6	90	89	202	210	94	90	90	210	80.7	90	90	91	204	86.7	90	96	212
575-3-60	HIGH - High Eff.	NONE	-	-	36.9	45	39	200	208	44	50	44	208	38.6	50	50	41	202	43.4	50	46	210
		285A00	24.8	23.9	39.4	45	39	200	208	44	50	44	208	41.5	50	50	41	202	47.5	50	46	210
		286A00	49.6	47.7	69.1	70	64	200	208	69	80	80	208	71.3	80	80	66	202	77.3	80	71	210
		287A00	74.4	71.6	81.1	90	91	200	208	97	90	90	208	83.2	90	90	93	202	89.2	90	99	210

See: "Legend and Notes" on page 43

ELECTRICAL INFORMATION (UNITS PRODUCED ON OR AFTER JULY 30, 2012) cont.

Table 23 - Unit Wire/Fuse or HACR Breaker Sizing Data (cont)

UNIT	NO M, V, PH, HZ	ELEC. HTR				NO C.O. or UNPWR C.O.										w/ PWRD C.O.									
		IFM TYPE	CRHEATER*****	Nom (kW)	FLA	NO PE.			w/ PE. (pwrdr fr/unit)			NO PE.			w/ PE. (pwrdr fr/unit)			NO PE.			w/ PE. (pwrdr fr/unit)				
						MCA	MAX FUSE or HACR BRKR	DISC. SIZE FLA LRA	MCA	MAX FUSE or HACR BRKR	DISC. SIZE FLA LRA	MCA	MAX FUSE or HACR BRKR	DISC. SIZE FLA LRA	MCA	MAX FUSE or HACR BRKR	DISC. SIZE FLA LRA	MCA	MAX FUSE or HACR BRKR	DISC. SIZE FLA LRA					
50TC**24	460-3-60	HIGH - High Eff.	NONE	-	-	109.2/108.3	150/150	112/111	540	121.0/120.1	150/150	125/124	560	114.0/113.1	150/150	117/116	545	125.8/124.9	150/150	131/130	565	150/150	131/130	565/565	
			279A00	18.8/25.0	52.1/60.1	109.2/108.3	150/150	112/111	540/540	121.0/120.1	150/150	125/124	560/560	114.0/113.1	150/150	117/116	545/545	125.8/124.9	150/150	131/130	565/565				
			280A00	37.6/50.0	104.2/120.3	147.3/136.2	150/150	135/153	540/540	162.0/150.9	175/175	149/167	560/560	153.3/142.2	175/175	141/158	545/545	168.0/156.9	175/175	155/172	565/565				
			281A00	56.3/75.0	156.4/180.4	173.4/196.3	200/225	196/222	540/540	188.2/211.0	200/225	209/236	560/560	179.4/202.3	201/228	545/545	194.2/217.0	200/250	215/241	565/565					
			NONE	-	-	112.7	150	116	536	124.5	150	129	556	117.5	150	121	541	129.3	175	135	561				
			279A00	18.8/25.0	52.1/60.1	112.7/112.7	150/150	116/116	536/536	124.5/124.5	150/150	129/129	556/556	117.5/117.5	150/150	121/121	541/541	129.3/129.3	175/175	135/135	561/561				
			280A00	37.6/50.0	104.2/120.3	151.6/141.7	175/175	139/158	536/536	166.4/156.4	175/175	159/172	556/556	157.6/147.7	175/175	145/164	541/541	172.4/162.4	175/175	159/177	561/561				
			281A00	56.3/75.0	156.4/180.4	177.8/201.8	200/225	200/227	536/536	192.5/216.5	200/250	213/241	556/556	183.8/207.8	200/225	205/233	541/541	198.5/222.5	200/250	219/246	561/561				
			NONE	-	-	124.1	150	129	615	135.9	175	142	635	128.9	175	134	620	140.7	175	148	640				
			279A00	18.8/25.0	52.1/60.1	124.1/124.1	150/150	129/129	615/615	135.9/135.9	175/175	142/142	635/635	128.9/128.9	175/175	134/134	620/620	140.7/140.7	175/175	148/148	640/640				
280A00	37.6/50.0	104.2/120.3	165.9/155.9	175/175	153/171	615/615	180.6/170.7	200/175	166/185	635/635	171.9/161.9	175/175	159/177	620/620	186.6/176.7	200/200	172/190	640/640							
281A00	56.3/75.0	156.4/180.4	192.0/216.0	200/250	213/240	615/615	206.8/230.8	225/250	226/254	635/635	198.0/222.0	225/250	218/246	620/620	212.8/236.8	225/250	232/259	640/640							
50TC**24	460-3-60	MED - High Eff.	NONE	-	-	48.0	60	50	272	54.2	60	57	284	50.2	60	52	274	56.4	70	59	286	150/150	131/130	565/565	
			282A00	25	30.1	48	60	50	272	54.2	60	57	284	50.2	60	52	274	56.4	70	59	286				
			283A00	50	60.1	68.1	80	76	272	75.9	80	84	284	70.9	80	79	274	78.6	80	86	286				
			284A00	75	90.2	98.2	100	111	272	106	125	118	284	101	110	114	274	108.7	125	121	286				
			NONE	-	-	50.2	60	52	270	56.4	70	59	282	52.4	60	55	272	58.6	70	62	284				
			282A00	25	30.1	50.2	60	52	270	56.4	70	59	282	52.4	60	55	272	58.9	70	62	284				
			283A00	50	60.1	70.9	80	79	270	78.6	80	86	282	73.6	80	82	272	81.4	90	89	284				
			284A00	75	90.2	101	110	114	270	108.7	125	121	282	103.7	125	116	272	111.5	125	123	284				
			NONE	-	-	55.9	70	59	310	62.1	80	66	322	58.1	70	61	312	64.3	80	69	324				
			282A00	25	30.1	55.9	70	59	310	63.3	80	66	322	58.3	70	61	312	66	80	69	324				
283A00	50	60.1	78	90	86	310	85.7	90	93	322	80.7	90	88	312	88.5	100	95	324							
284A00	75	90.2	108.1	125	120	310	115.8	125	127	322	110.8	125	123	312	118.6	125	130	324							
575-3-60	460-3-60	STD	NONE	-	-	38.6	50	40	224	43.4	50	46	232	40.3	50	42	226	45.1	50	48	234	150/150	131/130	565/565	
			285A00	24.8	23.9	38.6	50	40	224	43.4	50	46	232	40.3	50	42	226	45.1	50	48	234				
			286A00	49.6	47.7	66.6	70	61	224	72.6	80	67	232	68.8	70	63	226	74.8	80	69	234				
			287A00	74.4	71.6	78.6	90	89	224	84.6	90	94	232	80.7	90	91	226	86.7	90	96	234				
			NONE	-	-	40.6	50	42	222	45.4	60	48	230	42.3	50	44	224	47.1	60	50	232				
			285A00	24.8	23.9	40.6	50	42	222	45.4	60	48	230	42.3	50	44	224	47.5	60	50	232				
			286A00	49.6	47.7	69.1	70	64	222	75.1	80	69	230	71.3	80	66	224	77.3	80	71	232				
			287A00	74.4	71.6	81.1	90	91	222	87.1	90	97	230	83.2	90	93	224	89.2	90	99	232				
			NONE	-	-	42.5	50	45	249	47.3	60	50	257	44.2	50	47	251	49.0	60	52	259				
			285A00	24.8	23.9	42.5	50	45	249	47.8	60	50	257	44.2	50	47	251	49.9	60	52	259				
286A00	49.6	47.7	71.5	80	66	249	77.5	80	71	257	73.6	80	68	251	79.6	80	73	259							
287A00	74.4	71.6	83.5	90	93	249	89.5	100	99	257	85.6	90	95	251	91.6	100	101	259							

See: "Legend and Notes" on page 43

**ELECTRICAL INFORMATION
(UNITS PRODUCED ON OR AFTER JULY 30, 2012) cont.**

Table 23 - Unit Wire/Fuse or HACR Breaker Sizing Data (cont)

UNIT	ELEC. HTR			NO. C.O. or UNPWR C.O.										W/ PWRD C.O.									
	IFM TYPE	Nom (kW)	FLA	NO PE.			w/ P.E. (pwrdr fr/unit)			NO PE.			w/ P.E. (pwrdr fr/unit)			NO PE.			w/ P.E. (pwrdr fr/unit)				
				MCA	FUSE or HACR BRKR	DISC. SIZE FLA LRA	MCA	FUSE or HACR BRKR	DISC. SIZE FLA LRA	MCA	FUSE or HACR BRKR	DISC. SIZE FLA LRA	MCA	FUSE or HACR BRKR	DISC. SIZE FLA LRA	MCA	FUSE or HACR BRKR	DISC. SIZE FLA LRA					
50TC**28	STD	-	-	127.8/126.9	175/175	133/132	590	139.6/138.7	175/175	147/146	610	132.6/131.7	175/175	139/138	595	144.4/143.5	175/175	152/151	615				
				18.8/25.0	52.1/60.1	133/132	590/590	139.6/138.7	175/175	147/146	610/610	132.6/131.7	175/175	139/138	595/595	144.4/143.5	175/175	152/151	615/615				
				37.6/50.0	104.2/120.3	135/153	590/590	162.0/150.9	175/175	149/167	610/610	153.3/142.2	175/175	141/158	595/595	168.0/156.9	175/175	155/172	615/615				
				56.3/75.0	156.4/180.4	196/222	590/590	188.2/211.0	200/225	209/236	610/610	179.4/202.3	200/225	201/228	595/595	194.2/217.0	200/250	215/241	615/615				
460-3-60	MED - High Eff.	-	-	131.3	175	137	586	143.1	175	151	606	136.1	175	143	591	147.9	175	156	611				
				18.8/25.0	52.1/60.1	137/137	586/586	143.1/143.1	175/175	151/151	606/606	136.1/136.1	175/175	143/143	591/591	147.9/147.9	175/175	156/156	611/611				
				37.6/50.0	104.2/120.3	139/158	586/586	166.4/156.4	175/175	153/172	606/606	157.6/147.7	175/175	145/164	591/591	172.4/162.4	175/175	159/177	611/611				
				56.3/75.0	156.4/180.4	200/227	586/586	192.5/216.5	200/250	213/241	606/606	183.8/207.8	200/225	205/233	591/591	198.5/222.5	200/250	219/246	611/611				
575-3-80	HIGH - High Eff.	-	-	142.7	175	150	665	154.5	200	164	685	147.5	175	156	670	159.3	200	169	690				
				18.8/25.0	52.1/60.1	150/150	665/665	154.5/154.5	200/200	164/164	685/685	147.5/147.5	175/175	156/156	670/670	159.3/159.3	200/200	169/169	690/690				
				37.6/50.0	104.2/120.3	153/171	665/665	180.6/170.7	200/200	166/185	685/685	171.9/161.9	175/175	158/177	670/670	186.6/176.7	200/200	172/190	690/690				
				56.3/75.0	156.4/180.4	213/240	665/665	206.8/230.8	225/250	226/254	685/685	198.0/222.0	225/250	218/246	670/670	212.8/236.8	225/250	232/259	690/690				
50TC**28	STD	25	30.1	51.9	60	54	302	58.1	70	61	314	54.1	60	57	304	60.3	70	64	316				
				51.9	60	54	302	58.1	70	61	314	54.1	60	57	304	60.3	70	64	316				
				68.1	80	76	302	75.9	80	84	314	70.9	80	79	304	78.6	80	86	316				
				98.2	100	111	302	106	125	118	314	101	110	114	304	108.7	125	121	316				
460-3-60	MED - High Eff.	25	30.1	54.1	60	57	300	60.3	70	64	312	56.3	70	59	302	62.5	80	66	314				
				54.1	60	57	300	60.3	70	64	312	56.3	70	59	302	62.5	80	66	314				
				70.9	80	79	300	78.6	80	86	312	73.6	80	82	302	81.4	90	89	314				
				98.2	100	114	300	108.7	125	121	312	103.7	125	116	302	111.5	125	125	314				
460-3-60	HIGH - High Eff.	25	30.1	59.8	70	63	340	66.0	80	70	352	62.0	80	66	342	68.2	80	73	354				
				59.8	70	63	340	66	80	70	352	62	80	66	342	68.2	80	73	354				
				78	90	86	340	85.7	90	93	352	80.7	90	88	342	88.5	100	95	354				
				108.1	125	120	340	115.8	125	127	352	110.8	125	123	342	118.6	125	130	354				
575-3-80	STD	-	-	41.1	50	43	244	45.9	60	49	252	42.8	50	45	246	47.6	60	50	254				
				41.1	50	43	244	45.9	60	49	252	42.8	50	45	246	47.6	60	50	254				
				66.6	70	61	244	72.6	80	67	252	68.8	70	63	246	74.8	80	69	254				
				74.4	90	89	244	84.6	90	94	252	80.7	90	91	246	86.7	90	96	254				
575-3-80	MED - High Eff.	-	-	43.1	50	45	242	47.9	60	51	250	44.8	50	47	244	49.6	60	53	252				
				43.1	50	45	242	47.9	60	51	250	44.8	50	47	244	49.6	60	53	252				
				69.1	70	64	242	75.1	80	69	250	71.3	80	66	244	77.3	80	71	252				
				81.1	90	91	242	87.1	90	97	250	83.2	90	93	244	89.2	90	99	252				
575-3-80	HIGH - High Eff.	-	-	45.0	50	47	269	49.8	60	53	277	46.7	60	49	271	51.5	60	55	279				
				45	50	47	269	49.8	60	53	277	46.7	60	49	271	51.5	60	55	279				
				71.5	80	66	269	77.5	80	71	277	73.6	80	68	271	79.6	80	73	279				
				83.5	90	83	269	89.5	90	89	277	85.6	90	95	271	91.6	100	101	279				

See: "Legend and Notes" on page 43

ELECTRICAL INFORMATION (UNITS PRODUCED ON OR AFTER JULY 30, 2012) cont.

Table 23 - Unit Wire/Fuse or HACR Breaker Sizing Data (cont)

UNIT	ELEC. HTR				NO C.O. or UNPWR C.O.								W/ PWRD C.O.								
	IFM TYPE	CRHEATER*****	Nom (kW)	FLA	NO PE.				w/ P.E. (pwrdr fr/unit)				NO PE.				w/ P.E. (pwrdr fr/unit)				
					MCA	FUSE or HACR BRKR	FLA	LRA	DISC. SIZE	MCA	FUSE or HACR BRKR	FLA	LRA	DISC. SIZE	MCA	FUSE or HACR BRKR	FLA	LRA	DISC. SIZE		
50TC*30	STD	NONE	-	-	141.5	175	148	702	153.3	200	162	722	146.3	175	154	707	158.1	200	167	727	
		279A00	18.8/25.0	52.1/60.1	141.5/141.5	148/148	702/702	153.3/153.3	200/200	162/162	722/722	146.3/146.3	175/175	154/154	707/707	158.1/158.1	200/200	167/167	727/727		
		280A00	37.6/50.0	104.2/120.3	151.6/141.7	148/158	702/702	166.4/156.4	200/200	162/172	722/722	157.6/147.7	175/175	154/164	707/707	172.4/162.4	200/200	167/177	727/727		
		281A00	56.3/75.0	156.4/180.4	177.8/201.8	200/227	702/702	192.5/216.5	200/250	213/241	722/722	183.8/207.8	200/225	205/233	707/707	198.5/222.5	200/250	219/246	727/727		
		NONE	-	-	152.9	200	161	781	164.7	200	175	801	157.7	200	167	786	169.5	200	180	806	
		279A00	18.8/25.0	52.1/60.1	152.9/152.9	161/161	781/781	164.7/164.7	200/200	175/175	801/801	157.7/157.7	200/200	167/167	786/786	169.5/169.5	200/200	180/180	806/806		
		280A00	37.6/50.0	104.2/120.3	165.9/155.9	161/171	781/781	180.6/170.7	200/200	175/185	801/801	171.9/161.9	200/200	167/177	786/786	186.6/176.7	200/200	180/190	806/806		
		281A00	56.3/75.0	156.4/180.4	192.0/216.0	213/240	781/781	206.8/230.8	225/250	226/254	801/801	198.0/222.0	225/250	218/246	786/786	212.8/236.8	225/250	232/259	806/806		
		NONE	-	-	154.8	200	163	812	166.6	200	177	832	159.6	200	169	817	171.4	200	182	837	
		279A00	18.8/25.0	52.1/60.1	154.8/154.8	163/163	812/812	166.6/166.6	200/200	177/177	832/832	159.6/159.6	200/200	169/169	817/817	171.4/171.4	200/200	182/182	837/837		
280A00	37.6/50.0	104.2/120.3	168.3/158.3	163/173	812/812	183.0/173.1	200/200	177/187	832/832	174.3/164.3	200/200	169/179	817/817	189.0/179.1	200/200	182/192	837/837				
281A00	56.3/75.0	156.4/180.4	194.4/218.4	215/242	812/812	209.2/233.2	225/250	228/256	832/832	200.4/224.4	225/250	220/248	817/817	215.2/239.2	225/250	234/262	837/837				
460-3-60	STD	NONE	-	-	66.0	80	69	354	72.2	90	76	366	68.2	90	72	356	74.4	90	79	368	
		282A00	25	30.1	66	69	354	354	72.2	90	76	366	68.2	90	72	356	74.4	90	79	368	
		283A00	50	60.1	70.9	79	354	354	78.6	78.6	90	86	366	73.6	90	82	356	81.4	90	89	368
		284A00	75	90.2	101	114	354	354	108.7	108.7	125	121	366	103.7	125	116	356	111.5	125	123	368
		NONE	-	-	71.7	90	76	394	77.9	100	83	406	73.9	90	78	396	80.1	100	85	408	
		282A00	25	30.1	71.7	76	394	77.9	77.9	77.9	100	83	406	73.9	90	78	396	80.1	100	85	408
		283A00	50	60.1	78	86	394	85.7	85.7	85.7	100	90	406	80.7	90	88	396	88.5	100	95	408
		284A00	75	90.2	108.1	120	394	115.8	115.8	115.8	125	127	406	110.8	125	123	396	118.6	125	130	408
		NONE	-	-	72.6	90	77	409	78.8	78.8	100	84	421	74.8	90	79	411	81.0	100	86	423
		282A00	25	30.1	72.6	77	409	78.8	78.8	78.8	100	84	421	74.8	90	79	411	81	100	86	423
575-3-80	STD	NONE	-	-	109.2	125	121	409	117	125	128	421	112	125	124	411	119.7	125	131	423	
		285A00	24.8	23.9	56	59	264	60.8	80	64	272	57.7	70	61	266	62.5	80	66	274		
		286A00	49.6	47.7	69.1	64	264	75.1	75.1	75.1	80	69	272	71.3	80	66	266	77.3	80	71	274
		287A00	74.4	71.6	81.1	91	264	87.1	87.1	87.1	90	97	272	83.2	90	93	266	89.2	90	99	274
		NONE	-	-	57.9	70	61	291	62.7	80	66	299	59.6	70	63	293	64.4	80	68	301	
		285A00	24.8	23.9	57.9	61	291	62.7	62.7	62.7	80	66	299	59.6	70	63	293	64.4	80	68	301
		286A00	49.6	47.7	71.5	66	291	77.5	77.5	77.5	80	71	299	73.6	80	68	293	79.6	80	73	301
		287A00	74.4	71.6	83.5	93	291	89.5	89.5	89.5	100	99	299	85.6	90	95	293	91.6	100	101	301
		NONE	-	-	60.8	80	64	302	65.6	80	70	310	62.5	80	66	304	67.3	80	72	312	
		285A00	24.8	23.9	60.8	64	302	65.6	65.6	65.6	80	70	310	62.5	80	66	304	67.3	80	72	312
50TC*30	HIGH - High Eff.	NONE	-	-	87.1	100	97	302	93.1	100	102	310	89.2	100	99	304	95.2	100	104	312	
		287A00	74.4	71.6	87.1	97	302	93.1	93.1	100	102	310	89.2	100	99	304	95.2	100	104	312	

See: "Legend and Notes" on page 43

ELECTRICAL INFORMATION (UNITS PRODUCED ON OR AFTER JULY 30, 2012) cont.

Table 24 – Unit Wire/Fuse or HACR Breaker Sizing Data with Factory Installed 2 Speed Indoor Fan Option

UNIT	NO M, V-PH-HZ	ELEC. HTR				NO C.O. or UNPWR C.O.						w/ PWRD C.O.										
		IFM TYPE	CRHEATER*****	Nom (kW)	FLA	NO PE.			w/ P.E. (pwrd fr/unit)			NO PE.			w/ P.E. (pwrd fr/unit)							
						MCA	MAX FUSE or HACR BRKR	DISC. SIZE FLA LRA	MCA	MAX FUSE or HACR BRKR	DISC. SIZE FLA LRA	MCA	MAX FUSE or HACR BRKR	DISC. SIZE FLA LRA	MCA	MAX FUSE or HACR BRKR	DISC. SIZE FLA LRA					
50TC**17	460-3-60	STD	NONE	-	-	42.1	50	44	242	48.3	60	51	254	44.3	60	46	244	50.5	60	53	256	
						282A00	25.0	30.1	44	242	50.1	60	51	254	45.1	60	46	244	52.9	60	53	256
						283A00	50.0	60.1	73	242	72.6	80	81	254	67.6	80	76	244	75.4	80	83	256
						284A00	75.0	90.2	108	242	102.7	110	115	254	97.7	100	111	244	105.5	110	118	256
						NONE	-	-	45	254	49.4	60	52	266	45.4	60	47	256	51.6	60	55	268
						282A00	25.0	30.1	45	254	51.5	60	52	266	46.5	60	47	256	54.3	60	55	268
						283A00	50.0	60.1	75	254	74.0	80	82	266	69.0	80	77	256	76.7	80	84	268
						284A00	75.0	90.2	109	254	104.1	110	116	266	99.1	100	112	256	106.8	110	119	268
						NONE	-	-	47	259	50.9	60	54	271	46.9	60	49	261	53.1	60	56	273
						282A00	25.0	30.1	47	259	53.4	60	54	271	48.4	60	49	261	56.1	60	56	273
575-3-60	STD	NONE	-	-	33.8	45	35	188	38.6	50	41	196	35.5	45	37	190	40.3	50	43	198		
					285A00	24.8	30.9	35	188	41.5	50	41	196	37.6	45	37	190	43.6	50	43	198	
					286A00	49.6	47.7	60	188	71.3	80	66	196	67.4	70	62	190	73.4	80	68	198	
					287A00	74.4	71.6	88	188	83.2	90	93	196	79.4	90	89	190	85.4	90	95	198	
					NONE	-	-	35	188	38.6	50	41	196	35.5	45	37	190	40.3	50	43	198	
					285A00	24.8	23.9	35	188	41.5	50	41	196	37.6	45	37	190	43.6	50	43	198	
					286A00	49.6	47.7	60	188	71.3	80	66	196	67.4	70	62	190	73.4	80	68	198	
					287A00	74.4	71.6	88	188	83.2	90	93	196	79.4	90	89	190	85.4	90	95	198	
					NONE	-	-	37	202	40.3	50	43	210	37.2	45	39	204	42.0	50	45	212	
					285A00	24.8	23.9	37	202	43.6	50	43	210	39.8	45	39	204	45.8	50	45	212	
HIGH	HIGH	NONE	-	-	67.4	70	62	202	73.4	80	68	210	69.5	70	64	204	75.5	80	69	212		
					286A00	49.6	47.7	62	202	73.4	80	68	210	69.5	70	64	204	75.5	80	69	212	
					287A00	74.4	71.6	89	202	85.4	90	95	210	81.5	90	91	204	87.5	90	97	212	
					NONE	-	-	37	202	40.3	50	43	210	37.2	45	39	204	42.0	50	45	212	

See: "Legend and Notes" on page 43

ELECTRICAL INFORMATION (UNITS PRODUCED ON OR AFTER JULY 30, 2012) cont.

Table 24 - Unit Wire/Fuse or HACR Breaker Sizing Data with Factory Installed 2 Speed Indoor Fan Option (cont)

UNIT	NO M. V. Ph-HZ	ELEC. HTR				NO C.O. or UNWR C.O.				NO PE.				w/ P.WRD C.O.				w/ P.WRD C.O.				
		IFM TYPE	CRHEATER*****	Nom (kW)	FLA	MCA	MAX FUSE or HACR BRKR	DISC. SIZE FLA LRA	MCA	MAX FUSE or HACR BRKR	DISC. SIZE FLA LRA	MCA	MAX FUSE or HACR BRKR	DISC. SIZE FLA LRA	MCA	MAX FUSE or HACR BRKR	DISC. SIZE FLA LRA	MCA	MAX FUSE or HACR BRKR	DISC. SIZE FLA LRA		
50TC**20	208/230-3-60	STD	NONE	-	82.4/81.4	100/100	86/85	506	94.2/93.2	110/110	100/99	100/99	526	87.2/86.2	100/100	92/91	511	99.0/98.0	125/125	105/104	531	
			279A00	18.8/25.0	52.1/60.1	82.4/87.4	100/100	86/85	506/506	94.2/102.1	110/110	100/99	100/99	526/526	87.2/93.4	100/100	92/91	511/511	99.4/108.1	125/125	105/104	531/531
			280A00	37.6/50.0	104.2/120.3	143.8/132.6	150/150	132/150	506/506	158.5/147.3	175/175	148/163	526/526	148/163	526/526	149.8/138.6	150/150	138/155	164.5/153.3	175/175	151/169	531/531
			281A00	56.3/75.0	156.4/180.4	169.9/192.7	200/225	192/219	506/506	184.7/207.4	200/225	206/232	526/526	206/232	526/526	175.9/198.7	200/225	198/224	190.7/213.4	200/225	211/238	531/531
460-3-60	208/230-3-60	MED	NONE	-	85.2/84.3	100/100	89/88	517	97.0/96.1	125/125	103/102	537	90.0/89.1	100/100	95/94	522	101.8/100.9	125/125	108/107	542		
			279A00	18.8/25.0	52.1/60.1	85.2/91.0	100/100	89/88	517/517	97.0/105.8	125/125	103/102	537/537	90.0/97.0	100/100	95/94	522/522	102.9/111.8	125/125	108/107	542/542	
			280A00	37.6/50.0	104.2/120.3	147.3/136.2	150/150	135/153	517/517	162.0/150.9	175/175	149/167	537/537	153.3/142.2	175/175	141/158	522/522	168.0/156.9	175/175	155/172	542/542	
			281A00	56.3/75.0	156.4/180.4	173.4/196.3	200/225	196/222	517/517	188.2/211.0	200/225	206/236	537/537	179.4/202.3	200/225	201/228	522/522	194.2/217.0	200/250	215/241	542/542	
575-3-60	208/230-3-60	HIGH	NONE	-	88.7	100	93	513	100.5	125	107	533	93.5	110	99	518	105.3	125	112	538		
			279A00	18.8/25.0	52.1/60.1	88.7/96.5	100/100	93/93	513/513	101.3/111.3	125/125	107/107	533/533	93.5/102.5	110/110	99/99	518/518	107.3/117.3	125/125	112/112	538/538	
			280A00	37.6/50.0	104.2/120.3	151.6/141.7	175/175	139/158	513/513	166.4/156.4	175/175	159/172	533/533	157.6/147.7	175/175	145/164	518/518	172.4/162.4	175/175	159/177	538/538	
			281A00	56.3/75.0	156.4/180.4	177.8/201.8	200/225	200/227	513/513	192.5/216.5	200/250	213/241	533/533	183.8/207.8	200/225	205/233	518/518	198.5/222.5	200/250	219/246	538/538	
50TC**20	460-3-60	STD	NONE	-	43.2	50	45	254	49.4	60	52	266	45.4	60	47	256	51.6	60	55	268		
			282A00	25.0	30.1	43.8	50	45	254	51.5	60	52	266	46.5	60	47	256	54.3	60	55	268	
			283A00	50.0	60.1	66.2	80	75	254	74.0	80	82	266	69.0	80	77	256	76.7	80	84	268	
			284A00	75.0	90.2	96.3	100	109	254	104.1	110	116	266	99.1	100	112	256	106.8	110	119	268	
50TC**20	460-3-60	MED	NONE	-	44.7	60	47	259	50.9	60	54	271	46.9	60	49	261	53.1	60	56	273		
			282A00	25.0	30.1	45.6	60	47	259	53.4	60	54	271	48.4	60	49	261	56.1	60	56	273	
			283A00	50.0	60.1	68.1	80	76	259	75.9	80	84	271	70.9	80	79	261	78.6	80	86	273	
			284A00	75.0	90.2	98.2	100	111	259	106.0	125	118	271	101.0	110	114	261	108.7	125	121	273	
50TC**20	460-3-60	HIGH	NONE	-	46.9	60	49	257	53.1	60	56	269	49.1	60	52	259	55.3	60	59	271		
			282A00	25.0	30.1	48.4	60	49	257	56.1	60	56	269	51.1	60	52	259	58.9	60	59	271	
			283A00	50.0	60.1	70.9	80	79	257	78.6	80	86	269	73.6	80	82	259	81.4	90	89	271	
			284A00	75.0	90.2	101.0	110	114	257	108.7	125	121	269	103.7	125	116	259	111.5	125	123	271	
50TC**20	460-3-60	STD	NONE	-	33.8	45	35	188	38.6	50	41	196	35.5	45	37	190	40.3	50	43	198		
			285A00	24.8	23.9	35.5	45	35	188	41.5	50	41	196	37.6	45	37	190	43.6	50	43	198	
			286A00	49.6	47.7	65.3	70	60	188	71.3	80	66	196	67.4	70	62	190	73.4	80	68	198	
			287A00	74.4	71.6	77.2	90	88	188	83.2	90	93	196	79.4	90	89	190	85.4	90	95	198	
50TC**20	460-3-60	MED	NONE	-	35.5	45	37	202	40.3	50	43	210	37.2	45	39	204	42.0	50	45	212		
			285A00	24.8	23.9	37.6	45	37	202	43.6	50	43	210	39.8	45	39	204	45.8	50	45	212	
			286A00	49.6	47.7	67.4	70	62	202	73.4	80	68	210	69.5	70	64	204	75.5	80	69	212	
			287A00	74.4	71.6	79.4	90	89	202	85.4	90	95	210	81.5	90	91	204	87.5	90	97	212	
50TC**20	460-3-60	HIGH	NONE	-	36.9	45	39	200	41.7	50	44	208	38.6	45	41	202	43.4	50	46	210		
			285A00	24.8	23.9	39.4	45	39	200	45.4	50	44	208	41.5	50	41	202	47.5	50	46	210	
			286A00	49.6	47.7	69.1	70	64	200	75.1	80	69	208	71.3	80	66	202	77.3	80	71	210	
			287A00	74.4	71.6	81.1	90	91	200	87.1	90	97	208	83.2	90	93	202	89.2	90	99	210	

See: "Legend and Notes" on page 43

ELECTRICAL INFORMATION (UNITS PRODUCED ON OR AFTER JULY 30, 2012) cont.

Table 24 - Unit Wire/Fuse or HACR Breaker Sizing Data with Factory Installed 2 Speed Indoor Fan Option (cont)

UNIT	NO M. V-PH-HZ	ELEC. HTR				NO C.O. or UNPWR C.O.						NO PE.						W/ PWRD C.O.					
		IFM TYPE	CRHEATER*****	Nom (kW)	FLA	MCA	MAX FUSE or HACR BRKR		MCA	DISC. SIZE		MAX FUSE or HACR BRKR	MCA	DISC. SIZE		MAX FUSE or HACR BRKR	MCA	DISC. SIZE		MAX FUSE or HACR BRKR	FLA	LRA	
							FLA	LRA		FLA	LRA			FLA	LRA			FLA	LRA				
50TCC*24	460-3-60	STD	NONE	-	-	109.2/108.3	150/150	112/111	540	125/124	560	114.0/113.1	150/150	117/116	545	125.8/124.9	150/150	131/130	565	150/150	131/130	565/565	565/565
			279A00	18.8/25.0	52.1/60.1	109.2/108.3	150/150	112/111	540/540	125/124	560/560	114.0/113.1	150/150	117/116	545/545	125.8/124.9	150/150	131/130	565/565	150/150	131/130	565/565	565/565
			280A00	37.6/50.0	104.2/120.3	147.3/136.2	150/150	135/153	540/540	149/167	560/560	153.3/142.2	175/175	141/158	545/545	168.0/156.9	175/175	155/172	565/565	200/250	215/241	565/565	565/565
			281A00	56.3/75.0	156.4/180.4	173.4/196.3	200/225	196/222	540/540	209/236	560/560	179.4/202.3	200/225	201/228	545/545	194.2/171.0	200/250	215/241	565/565	565/565	200/250	215/241	565/565
50TCC*24	460-3-60	MED	NONE	-	-	112.7	150	116	536	129	556	117.5	150	121	541	129.3	175	135	561	175	135	561/561	561/561
			279A00	18.8/25.0	52.1/60.1	112.7/112.7	150/150	116/116	536/536	129/129	556/556	117.5/117.5	150/150	121/121	541/541	129.3/129.3	175/175	135/135	561/561	175/175	135/135	561/561	561/561
			280A00	37.6/50.0	104.2/120.3	151.6/141.7	175/175	139/158	536/536	153/172	556/556	157.6/147.7	175/175	145/164	541/541	172.4/162.4	175/175	159/177	561/561	175/175	159/177	561/561	561/561
			281A00	56.3/75.0	156.4/180.4	177.8/201.8	200/225	200/227	536/536	213/241	556/556	183.8/207.8	200/225	205/233	541/541	198.5/222.5	200/250	219/246	561/561	198.5/222.5	200/250	219/246	561/561
50TCC*24	460-3-60	HIGH	NONE	-	-	124.1	150	129	615	142	635	128.9	175	134	620	140.7	175	148	640	175	148	640/640	640/640
			279A00	18.8/25.0	52.1/60.1	124.1/124.1	150/150	129/129	615/615	142/142	635/635	128.9/128.9	175/175	134/134	620/620	140.7/140.7	175/175	148/148	640/640	175/175	148/148	640/640	640/640
			280A00	37.6/50.0	104.2/120.3	165.9/155.9	175/175	153/171	615/615	166/185	635/635	171.9/161.9	175/175	158/177	620/620	186.6/176.7	200/200	172/190	640/640	200/200	172/190	640/640	640/640
			281A00	56.3/75.0	156.4/180.4	192.0/216.0	200/250	213/240	615/615	226/254	635/635	198.0/222.0	225/250	218/246	620/620	212.8/236.8	225/250	232/259	640/640	225/250	232/259	640/640	640/640
50TCC*24	460-3-60	STD	NONE	-	-	48.0	60	50	272	57	284	50.2	60	52	274	56.4	70	59	286	70	59	286	286
			282A00	25.0	30.1	48.0	60	50	272	57	284	50.2	60	52	274	56.4	70	59	286	70	59	286	286
			283A00	50.0	60.1	68.1	80	76	272	84	284	70.9	80	79	274	78.6	80	86	286	80	86	286	286
			284A00	75.0	90.2	98.2	100	111	272	118	284	101.0	110	114	274	108.7	125	121	286	125	121	286	286
50TCC*24	460-3-60	MED	NONE	-	-	50.2	60	52	270	59	282	52.4	60	55	272	58.6	70	62	284	70	62	284	284
			282A00	25.0	30.1	50.2	60	52	270	59	282	52.4	60	55	272	58.6	70	62	284	70	62	284	284
			283A00	50.0	60.1	70.9	80	79	270	86	282	73.6	80	82	272	81.4	90	89	284	90	89	284	284
			284A00	75.0	90.2	101.0	110	114	270	121	282	103.7	125	116	272	111.5	125	123	284	125	123	284	284
50TCC*24	460-3-60	HIGH	NONE	-	-	55.9	70	59	310	66	322	58.1	70	61	312	64.3	80	69	324	80	69	324	324
			282A00	25.0	30.1	55.9	70	59	310	66	322	58.3	70	61	312	66.0	80	69	324	80	69	324	324
			283A00	50.0	60.1	78.0	90	86	310	93	322	80.7	90	88	312	88.5	100	95	324	100	95	324	324
			284A00	75.0	90.2	108.1	125	120	310	127	322	110.8	125	123	312	118.6	125	130	324	125	130	324	324
50TCC*24	460-3-60	STD	NONE	-	-	39.2	50	41	224	46	232	40.9	50	43	226	45.7	60	48	234	60	48	234	234
			285A00	24.8	23.9	39.2	50	41	224	46	232	40.9	50	43	226	45.8	60	48	234	60	48	234	234
			286A00	49.6	47.7	67.4	70	62	224	68	232	69.5	70	64	226	75.5	80	69	234	80	69	234	234
			287A00	74.4	71.6	79.4	90	89	224	95	232	81.5	90	91	226	87.5	90	97	234	90	97	234	234
50TCC*24	460-3-60	MED	NONE	-	-	40.6	50	42	222	48	230	42.3	50	44	224	47.1	60	50	232	60	50	232	232
			285A00	24.8	23.9	40.6	50	42	222	48	230	42.3	50	44	224	47.5	60	50	232	60	50	232	232
			286A00	49.6	47.7	69.1	70	64	222	69	230	71.3	80	66	224	77.3	80	71	232	80	71	232	232
			287A00	74.4	71.6	81.1	90	91	222	97	230	83.2	90	93	224	89.2	90	99	232	90	99	232	232
50TCC*24	460-3-60	HIGH	NONE	-	-	42.5	50	45	249	50	257	44.2	50	47	251	49.0	60	52	259	60	52	259	259
			285A00	24.8	23.9	42.5	50	45	249	50	257	44.2	50	47	251	49.9	60	52	259	60	52	259	259
			286A00	49.6	47.7	71.5	80	66	249	71	257	73.6	80	68	251	79.6	80	73	259	80	73	259	259
			287A00	74.4	71.6	83.5	90	83	249	99	257	85.6	90	95	251	91.6	100	101	259	100	101	259	259

See: "Legend and Notes" on page 43

ELECTRICAL INFORMATION (UNITS PRODUCED ON OR AFTER JULY 30, 2012) cont.

Table 24 - Unit Wire/Fuse or HACR Breaker Sizing Data with Factory Installed 2 Speed Indoor Fan Option (cont)

UNIT	NO M. V - Ph - HZ	ELEC. HTR			NO P.E.				NO C.O. or UNPWR C.O.				w/ PWRD C.O.					
		IFM TYPE	Nom (kW)	FLA	MCA	MAX FUSE or HACR BRKR	DISC. SIZE		MCA	MAX FUSE or HACR BRKR	DISC. SIZE		MCA	MAX FUSE or HACR BRKR	DISC. SIZE			
							FLA	LRA			FLA	LRA			FLA	LRA		
50TTC**28	460-3-60	STD	NONE	127.8/126.9	175/175	133/132	590	139.6/138.7	175/175	147/146	610	132.6/131.7	175/175	139/138	595	144.4/143.5	175/175	152/151
				18.8/25.0	175/175	133/132	590/590	139.6/138.7	175/175	147/146	610/610	132.6/131.7	175/175	139/138	595/595	144.4/143.5	175/175	152/151
				37.6/50.0	175/175	135/153	590/590	162.0/150.9	175/175	149/167	610/610	153.3/142.2	175/175	141/158	595/595	168.0/156.9	175/175	155/172
				56.3/75.0	200/225	196/222	590/590	188.2/211.0	200/225	209/236	610/610	179.4/202.3	200/225	201/228	595/595	194.2/217.0	200/250	215/241
50TTC**28	460-3-60	MED	NONE	131.3	175	137	586	143.1	175	151	606	136.1	175	143	591	147.9	175	156
				18.8/25.0	175/175	137/137	586/586	143.1/143.1	175/175	151/151	606/606	136.1/136.1	175/175	143/143	591/591	147.9/147.9	175/175	156/156
				37.6/50.0	175/175	139/158	586/586	166.4/156.4	175/175	159/172	606/606	157.6/147.7	175/175	145/164	591/591	172.4/162.4	175/175	159/177
				56.3/75.0	200/225	200/227	586/586	192.5/216.5	200/250	213/241	606/606	183.8/207.8	200/225	205/233	591/591	198.5/222.5	200/250	219/246
50TTC**28	460-3-60	HIGH	NONE	142.7	175	150	665	154.5	200	164	685	147.5	175	156	670	159.3	200	169
				18.8/25.0	175/175	150/150	665/665	154.5/154.5	200/200	164/164	685/685	147.5/147.5	175/175	156/156	670/670	159.3/159.3	200/200	169/169
				37.6/50.0	175/175	153/171	665/665	180.6/170.7	200/200	166/185	685/685	171.9/161.9	175/175	158/177	670/670	186.6/176.7	200/200	172/190
				56.3/75.0	200/250	213/240	665/665	206.8/230.8	225/250	226/254	685/685	198.0/222.0	225/250	218/246	670/670	212.8/236.8	225/250	232/259
50TTC**28	460-3-60	STD	NONE	51.9	60	54	302	58.1	70	61	314	54.1	60	57	304	60.3	70	64
				25.0	60	54	302	58.1	70	61	314	54.1	60	57	304	60.3	70	64
				50.0	80	76	302	75.9	80	84	314	70.9	80	79	304	78.6	80	86
				75.0	100	111	302	106.0	125	118	314	101.0	110	114	304	108.7	125	121
50TTC**28	460-3-60	MED	NONE	54.1	60	57	300	60.3	70	64	312	56.3	70	59	302	62.5	80	66
				25.0	60	57	300	60.3	70	64	312	56.3	70	59	302	62.5	80	66
				50.0	80	79	300	78.6	80	86	312	73.6	80	82	302	81.4	90	89
				75.0	110	114	300	108.7	125	121	312	103.7	125	116	302	111.5	125	123
50TTC**28	460-3-60	HIGH	NONE	59.8	70	63	340	66.0	80	70	352	62.0	80	66	342	68.2	80	73
				25.0	70	63	340	66.0	80	70	352	62.0	80	66	342	68.2	80	73
				50.0	90	86	340	85.7	90	93	352	80.7	90	88	342	88.5	100	95
				75.0	125	120	340	115.8	125	127	352	110.8	125	123	342	118.6	125	130
50TTC**28	460-3-60	STD	NONE	41.7	50	44	244	46.5	60	49	252	43.4	50	46	246	48.2	60	51
				24.8	50	44	244	46.5	60	49	252	43.4	50	46	246	48.2	60	51
				49.6	70	62	244	73.4	80	68	252	69.5	70	64	246	75.5	80	69
				74.4	90	89	244	85.4	90	95	252	81.5	90	91	246	87.5	90	97
50TTC**28	460-3-60	MED	NONE	43.1	50	45	242	47.9	60	51	250	44.8	50	47	244	49.6	60	53
				24.8	50	45	242	47.9	60	51	250	44.8	50	47	244	49.6	60	53
				49.6	70	64	242	75.1	80	69	250	71.3	80	66	244	77.3	80	71
				74.4	90	91	242	87.1	90	97	250	83.2	90	93	244	89.2	90	99
50TTC**28	460-3-60	HIGH	NONE	45.0	50	47	269	49.8	60	53	277	46.7	50	49	271	51.5	60	55
				24.8	50	47	269	49.8	60	53	277	46.7	50	49	271	51.5	60	55
				49.6	80	66	269	77.5	80	71	277	73.6	80	68	271	79.6	80	73
				74.4	90	93	269	89.5	100	99	277	85.6	90	95	271	91.6	100	101

See: "Legend and Notes" on page 43

ELECTRICAL DATA FOR UNITS PRODUCED PRIOR TO JULY 30, 2012

NOTE: Check the serial number of unit to verify production date.

To confirm the date of manufacture, locate the unit nameplate and check the first four digits of the Serial Number. If the number listed in the first 4 digits of the Serial Number is 3012 or lower, the unit was produced prior to July 30, 2012.

Position:	1	2	3	4	5	6	7	8	9	10
Example:	3	0	1	2	U	1	2	3	4	5

Week of manufacture (fiscal calendar)			Sequence number
Year of manufacture ("12" = 2012)		Manufacturing location	

C13784

ELECTRICAL INFORMATION (UNITS PRODUCED PRIOR TO JULY 30, 2012)

Table 25 – 2-STAGE COOLING WITH SINGLE SPEED INDOOR FAN MOTOR

15 - 27.5 TONS

UNIT	V-Ph-Hz	VOLTAGE RANGE		COMP 1		COMP 2		OFM (ea)		IFM		
		MIN	MAX	RLA	LRA	RLA	LRA	WATTS	FLA	TYPE	EFF at Full Load	FLA
17	208-3-60	187	253	29.5	195	30.1	225	350	1.5	STD	81.3%	7.5
										MED	83.8%	10.2
										HIGH	83.6%	15.0
	230-3-60	187	253	29.5	195	30.1	225	350	1.5	STD	81.3%	7.5
										MED	83.8%	10.2
										HIGH	83.6%	15.0
	460-3-60	414	506	14.7	95	16.7	114	277	0.9	STD	81.3%	3.4
										MED	83.8%	4.8
										HIGH	83.6%	7.4
	575-3-60	518	633	12.2	80	12.2	80	397	0.6	STD	81.1%	2.8
										MED	81.1%	2.8
										HIGH	83.6%	5.6
20	208-3-60	187	253	29.5	195	30.1	225	350	1.5	STD	83.8%	10.2
										MED	83.6%	15.0
										HIGH	89.5%	17.1
	230-3-60	187	253	29.5	195	30.1	225	350	1.5	STD	83.8%	10.2
										MED	83.6%	15.0
										HIGH	89.5%	17.1
	460-3-60	414	506	14.7	95	16.7	114	277	0.9	STD	83.8%	4.8
										MED	83.6%	7.4
										HIGH	89.5%	8.6
	575-3-60	518	633	12.2	80	12.2	80	397	0.6	STD	81.1%	2.8
										MED	83.6%	5.6
										HIGH	89.5%	7.6
24	208-3-60	187	253	48.1	245	29.5	195	350	1.5	STD	83.6%	15.0
										MED	89.5%	17.1
										HIGH	91.7%	28.5
	230-3-60	187	253	48.1	245	29.5	195	350	1.5	STD	83.6%	15.0
										MED	89.5%	17.1
										HIGH	91.7%	28.5
	460-3-60	414	506	18.6	125	14.7	95	277	0.9	STD	83.6%	7.4
										MED	89.5%	8.6
										HIGH	91.7%	14.3
	575-3-60	518	633	14.7	100	12.2	80	397	0.6	STD	83.6%	5.6
										MED	89.5%	7.6
										HIGH	91.7%	9.5
28	208-3-60	187	253	48.1	245	48.1	245	350	1.5	STD	83.6%	15.0
										MED	89.5%	17.1
										HIGH	91.7%	28.5
	230-3-60	187	253	48.1	245	48.1	245	350	1.5	STD	83.6%	15.0
										MED	89.5%	17.1
										HIGH	91.7%	28.5
	460-3-60	414	506	18.6	125	18.6	125	277	0.9	STD	83.6%	7.4
										MED	89.5%	8.6
										HIGH	91.7%	14.3
	575-3-60	518	633	14.7	100	14.7	100	397	0.6	STD	83.6%	5.6
										MED	89.5%	7.6
										HIGH	91.7%	9.5
30	208-3-60	187	253	51.3	300	51.3	300	350	1.5	STD	89.5%	17.1
										MED	91.7%	28.5
										HIGH	91.7%	30.4
	230-3-60	187	253	51.3	300	51.3	300	350	1.5	STD	89.5%	17.1
										MED	91.7%	28.5
										HIGH	91.7%	30.4
	460-3-60	414	506	23.1	150	23.1	150	277	0.9	STD	89.5%	8.6
										MED	91.7%	14.3
										HIGH	91.7%	15.2
	575-3-60	518	633	19.9	109	19.9	109	397	0.6	STD	89.5%	7.6
										MED	91.7%	9.5
										HIGH	91.7%	12.4

**ELECTRICAL INFORMATION
(UNITS PRODUCED PRIOR TO JULY 30, 2012)**

Table 26 – 2-STAGE COOLING WITH 2-SPEED INDOOR FAN MOTOR

15 - 27.5 TONS

UNIT	V-Ph-Hz	VOLTAGE RANGE		COMP 1		COMP 2		OFM (ea)		IFM		
				RLA	LRA	RLA	LRA	WATTS	FLA	TYPE	EFF at Full Load	FLA
17	208-3-60	187	253	29.5	195	30.1	225	350	1.5	STD	85.0%	8.6
										MED	81.5%	10.8
										HIGH	83.6%	13.6
	230-3-60	187	253	29.5	195	30.1	225	350	1.5	STD	85.0%	7.8
										MED	81.5%	9.8
										HIGH	83.6%	12.7
	460-3-60	414	506	14.7	95	16.7	114	277	0.9	STD	85.0%	3.8
										MED	81.5%	4.9
										HIGH	83.6%	6.4
	575-3-60	518	633	12.2	80	12.2	80	397	0.6	STD	81.1%	4.5
										MED	81.1%	4.5
										HIGH	83.6%	6.2
20	208-3-60	187	253	29.5	195	30.1	225	350	1.5	STD	81.5%	10.8
										MED	83.6%	13.6
										HIGH	89.5%	17.1
	230-3-60	187	253	29.5	195	30.1	225	350	1.5	STD	81.5%	9.8
										MED	83.6%	12.7
										HIGH	89.5%	17.1
	460-3-60	414	506	14.7	95	16.7	114	277	0.9	STD	81.5%	4.9
										MED	83.6%	6.4
										HIGH	89.5%	8.6
	575-3-60	518	633	12.2	80	12.2	80	397	0.6	STD	81.1%	4.5
										MED	83.6%	6.2
										HIGH	89.5%	7.6
24	208-3-60	187	253	48.1	245	29.5	195	350	1.5	STD	83.6%	13.6
										MED	89.5%	17.1
										HIGH	91.7%	28.5
	230-3-60	187	253	48.1	245	29.5	195	350	1.5	STD	83.6%	12.7
										MED	89.5%	17.1
										HIGH	91.7%	28.5
	460-3-60	414	506	18.6	125	14.7	95	277	0.9	STD	83.6%	6.4
										MED	89.5%	8.6
										HIGH	91.7%	14.3
	575-3-60	518	633	14.7	100	12.2	80	397	0.6	STD	83.6%	6.2
										MED	89.5%	7.6
										HIGH	91.7%	9.5
28	208-3-60	187	253	48.1	245	48.1	245	350	1.5	STD	83.6%	13.6
										MED	89.5%	17.1
										HIGH	91.7%	28.5
	230-3-60	187	253	48.1	245	48.1	245	350	1.5	STD	83.6%	12.7
										MED	89.5%	17.1
										HIGH	91.7%	28.5
	460-3-60	414	506	18.6	125	18.6	125	277	0.9	STD	83.6%	6.4
										MED	89.5%	8.6
										HIGH	91.7%	14.3
	575-3-60	518	633	14.7	100	14.7	100	397	0.6	STD	83.6%	6.2
										MED	89.5%	7.6
										HIGH	91.7%	9.5
30	208-3-60	187	253	51.3	300	51.3	300	350	1.5	STD	89.5%	17.1
										MED	91.7%	28.5
										HIGH	91.7%	30.4
	230-3-60	187	253	51.3	300	51.3	300	350	1.5	STD	89.5%	17.1
										MED	91.7%	28.5
										HIGH	91.7%	30.4
	460-3-60	414	506	23.1	150	23.1	150	277	0.9	STD	89.5%	8.6
										MED	91.7%	14.3
										HIGH	91.7%	15.2
	575-3-60	518	633	19.9	109	19.9	109	397	0.6	STD	89.5%	7.6
										MED	91.7%	9.5
										HIGH	91.7%	12.4

ELECTRICAL INFORMATION

(UNITS PRODUCED PRIOR TO JULY 30, 2012)

**Table 27 – ELECTRIC HEAT - ELECTRICAL DATA
2-STAGE COOLING WITH SINGLE SPEED INDOOR FAN MOTOR**

15 - 17.5 TONS

UNIT	NOM. V-PH-HZ	IFM TYPE	ELECTRIC HEATER PART NUMBER CRHEATER	NOMINAL (kW)	APPLICATION (kW)	APPLICATION OUTPUT (MBH)
50TC-D17	208/230-3-60	STD	279/270A00	25.0	18.8/23.0	64.1/78.3
			280/271A00	50.0	37.6/45.9	128.1/156.7
			281/272A00	75.0	56.3/68.9	192.2/235.0
		MED	279/270A00	25.0	18.8/23.0	64.1/78.3
			280/271A00	50.0	37.6/45.9	128.1/156.7
			281/272A00	75.0	56.3/68.9	192.2/235.0
		HIGH	279/270A00	25.0	18.8/23.0	64.1/78.3
			280/271A00	50.0	37.6/45.9	128.1/156.7
			281/272A00	75.0	56.3/68.9	192.2/235.0
	460-3-60	STD	282/273A00	25.0	23.0	78.3
			283/274A00	50.0	45.9	156.7
			284/275A00	75.0	68.9	235.0
		MED	282/273A00	25.0	23.0	78.3
			283/274A00	50.0	45.9	156.7
			284/275A00	75.0	68.9	235.0
		HIGH	282/273A00	25.0	23.0	78.3
			283/274A00	50.0	45.9	156.7
			284/275A00	75.0	68.9	235.0
	575-3-60	STD	285/276A00	24.8	22.8	77.7
			286/277A00	49.6	45.6	155.4
			287/278A00	74.4	68.3	233.1
		MED	285/276A00	24.8	22.8	77.7
			286/277A00	49.6	45.6	155.4
			287/278A00	74.4	68.3	233.1
		HIGH	285/276A00	24.8	22.8	77.7
			286/277A00	49.6	45.6	155.4
			287/278A00	74.4	68.3	233.1
50TC-D20	208/230-3-60	STD	279/270A00	25.0	18.8/23.0	64.1/78.3
			280/271A00	50.0	37.6/45.9	128.1/156.7
			281/272A00	75.0	56.3/68.9	192.2/235.0
		MED	279/270A00	25.0	18.8/23.0	64.1/78.3
			280/271A00	50.0	37.6/45.9	128.1/156.7
			281/272A00	75.0	56.3/68.9	192.2/235.0
		HIGH	279/270A00	25.0	18.8/23.0	64.1/78.3
			280/271A00	50.0	37.6/45.9	128.1/156.7
			281/272A00	75.0	56.3/68.9	192.2/235.0
	460-3-60	STD	282/273A00	25.0	23.0	78.3
			283/274A00	50.0	45.9	156.7
			284/275A00	75.0	68.9	235.0
		MED	282/273A00	25.0	23.0	78.3
			283/274A00	50.0	45.9	156.7
			284/275A00	75.0	68.9	235.0
		HIGH	282/273A00	25.0	23.0	78.3
			283/274A00	50.0	45.9	156.7
			284/275A00	75.0	68.9	235.0
	575-3-60	STD	285/276A00	24.8	22.8	77.7
			286/277A00	49.6	45.6	155.4
			287/278A00	74.4	68.3	233.1
		MED	285/276A00	24.8	22.8	77.7
			286/277A00	49.6	45.6	155.4
			287/278A00	74.4	68.3	233.1
		HIGH	285/276A00	24.8	22.8	77.7
			286/277A00	49.6	45.6	155.4
			287/278A00	74.4	68.3	233.1

LEGEND

APP PWR – 208 / 230V / 460V / 575V
 C.O. – Convenient outlet
 FLA – Full load amps
 IFM – Indoor fan motor

NOM PWR – 240V / 480V / 600V
 P.E. – Power exhaust
 PWRD – Powered convenient outlet
 UNPWRD – Unpowered convenient outlet

ELECTRICAL INFORMATION (UNITS PRODUCED PRIOR TO JULY 30, 2012)

Table 28 – ELECTRIC HEAT - ELECTRICAL DATA (CONT.)

20 -25 TONS

2-STAGE COOLING WITH SINGLE SPEED INDOOR FAN MOTOR

UNIT	NOM. V-PH-HZ	IFM TYPE	ELECTRIC HEATER PART NUMBER CRHEATER	NOMINAL (kW)	APPLICATION (kW)	APPLICATION OUTPUT (MBH)
50TC-D24	208/203-3-60	STD	279/270A00	25.0	18.8/23.0	64.1/78.3
			280/271A00	50.0	37.6/45.9	128.1/156.7
			281/272A00	75.0	56.3/68.9	192.2/235.0
		MED	279/270A00	25.0	18.8/23.0	64.1/78.3
			280/271A00	50.0	37.6/45.9	128.1/156.7
			281/272A00	75.0	56.3/68.9	192.2/235.0
		HIGH	279/270A00	25.0	18.8/23.0	64.1/78.3
			280/271A00	50.0	37.6/45.9	128.1/156.7
			281/272A00	75.0	56.3/68.9	192.2/235.0
	460-3-60	STD	282/273A00	25.0	23.0	78.3
			283/274A00	50.0	45.9	156.7
			284/275A00	75.0	68.9	235.0
		MED	282/273A00	25.0	23.0	78.3
			283/274A00	50.0	45.9	156.7
			284/275A00	75.0	68.9	235.0
		HIGH	282/273A00	25.0	23.0	78.3
			283/274A00	50.0	45.9	156.7
			284/275A00	75.0	68.9	235.0
	575-3-60	STD	285/276A00	24.8	22.8	77.7
			286/277A00	49.6	45.6	155.4
			287/278A00	74.4	68.3	233.1
		MED	286/277A00	49.6	45.6	155.4
			287/278A00	74.4	68.3	233.1
			285/276A00	24.8	22.8	77.7
HIGH		286/277A00	49.6	45.6	155.4	
		287/278A00	74.4	68.3	233.1	
		285/276A00	24.8	22.8	77.7	
50TC-D28	208/230-3-60	STD	279/270A00	25.0	18.8/23.0	64.1/78.3
			280/271A00	50.0	37.6/45.9	128.1/156.7
			281/272A00	75.0	56.3/68.9	192.2/235.0
		MED	279/270A00	25.0	18.8/23.0	64.1/78.3
			280/271A00	50.0	37.6/45.9	128.1/156.7
			281/272A00	75.0	56.3/68.9	192.2/235.0
		HIGH	279/270A00	25.0	18.8/23.0	64.1/78.3
			280/271A00	50.0	37.6/45.9	128.1/156.7
			281/272A00	75.0	56.3/68.9	192.2/235.0
	460-3-60	STD	282/273A00	25.0	23.0	78.3
			283/274A00	50.0	45.9	156.7
			284/275A00	75.0	68.9	235.0
		MED	282/273A00	25.0	23.0	78.3
			283/274A00	50.0	45.9	156.7
			284/275A00	75.0	68.9	235.0
		HIGH	282/273A00	25.0	23.0	78.3
			283/274A00	50.0	45.9	156.7
			284/275A00	75.0	68.9	235.0
	575-3-60	STD	285/276A00	24.8	22.8	77.7
			286/277A00	49.6	45.6	155.4
			287/278A00	74.4	68.3	233.1
		MED	285/276A00	24.8	22.8	77.7
			286/277A00	49.6	45.6	155.4
			287/278A00	74.4	68.3	233.1
HIGH		285/276A00	24.8	22.8	77.7	
		286/277A00	49.6	45.6	155.4	
		287/278A00	74.4	68.3	233.1	

LEGEND

APP PWR - 208 / 230V / 460V / 575V
 C.O. - Convenient outlet
 FLA - Full load amps
 IFM - Indoor fan motor

NOM PWR - 240V / 480V / 600V
 PE. - Power exhaust
 PWRD - Powered convenient outlet
 UNPWRD - Unpowered convenient outlet

ELECTRICAL INFORMATION (UNITS PRODUCED PRIOR TO JULY 30, 2012)

Table 29 – ELECTRIC HEAT - ELECTRICAL DATA (CONT.)

20 -25 TONS

2-STAGE COOLING WITH SINGLE SPEED INDOOR FAN MOTOR

UNIT	NOM. V-Ph-Hz	IFM TYPE	Electric Heater Part Number	Nominal (kW)	Application (kW)	Application Output (MBH)
50TC-D30	208/230-3-60	STD	279A00	25.0	18.8/23.0	64.1/78.3
			280A00	50.0	37.6/45.9	128.1/156.7
			281A00	75.0	56.3/68.9	192.2/235.0
		MED	279A00	25.0	18.8/23.0	64.1/78.3
			280A00	50.0	37.6/45.9	128.1/156.7
			281A00	75.0	56.3/68.9	192.2/235.0
		HIGH	279A00	25.0	18.8/23.0	64.1/78.3
			280A00	50.0	37.6/45.9	128.1/156.7
			281A00	75.0	56.3/68.9	192.2/235.0
	460-3-60	STD	282A00	25.0	23.0	78.3
			283A00	50.0	45.9	156.7
			284A00	75.0	68.9	235.0
		MED	282A00	25.0	23.0	78.3
			283A00	50.0	45.9	156.7
			284A00	75.0	68.9	235.0
		HIGH	282A00	25.0	23.0	78.3
			283A00	50.0	45.9	156.7
			284A00	75.0	68.9	235.0
	575-3-60	STD	285A00	24.8	22.8	77.7
			286A00	49.6	45.6	155.4
			287A00	74.4	68.3	233.1
		MED	285A00	24.8	22.8	77.7
			286A00	49.6	45.6	155.4
			287A00	74.4	68.3	233.1
		HIGH	285A00	24.8	22.8	77.7
			286A00	49.6	45.6	155.4
			287A00	74.4	68.3	233.1

LEGEND

APP PWR – 208 / 230V / 460V / 575V

C.O. – Convenient outlet

FLA – Full load amps

IFM – Indoor fan motor

NOM PWR – 240V / 480V / 600V

PE. – Power exhaust

PWRD – Powered convenient outlet

UNPWRD – Unpowered convenient outlet

ELECTRICAL INFORMATION (UNITS PRODUCED PRIOR TO JULY 30, 2012)

**Table 30 – ELECTRIC HEAT - ELECTRICAL DATA
2-STAGE COOLING WITH 2-SPEED INDOOR FAN MOTOR**

15 - 17.5 TONS

UNIT	NOM. V-Ph-Hz	IFM TYPE	ELECTRIC HEATER PART NUMBER CRHEATER	NOMINAL (kW)	APPLICATION (kW)	APPLICATION OUTPUT (MBH)
50TC**17	208/230-3-60	STD	279A00	25.0	18.8/23.0	64.1/78.3
			280A00	50.0	37.6/45.9	128.1/156.7
			281A00	75.0	56.3/68.9	192.2/235.0
		MED	279A00	25.0	18.8/23.0	64.1/78.3
			280A00	50.0	37.6/45.9	128.1/156.7
			281A00	75.0	56.3/68.9	192.2/235.0
		HIGH	279A00	25.0	18.8/23.0	64.1/78.3
			280A00	50.0	37.6/45.9	128.1/156.7
			281A00	75.0	56.3/68.9	192.2/235.0
	460-3-60	STD	282A00	25.0	23.0	78.3
			283A00	50.0	45.9	156.7
			284A00	75.0	68.9	235.0
		MED	282A00	25.0	23.0	78.3
			283A00	50.0	45.9	156.7
			284A00	75.0	68.9	235.0
		HIGH	282A00	25.0	23.0	78.3
			283A00	50.0	45.9	156.7
			284A00	75.0	68.9	235.0
	575-3-60	STD	285A00	24.8	22.8	77.7
			286A00	49.6	45.6	155.4
			287A00	74.4	68.3	233.1
		MED	285A00	24.8	22.8	77.7
			286A00	49.6	45.6	155.4
			287A00	74.4	68.3	233.1
		HIGH	285A00	24.8	22.8	77.7
			286A00	49.6	45.6	155.4
			287A00	74.4	68.3	233.1
50TC**20	208/230-3-60	STD	279A00	25.0	18.8/23.0	64.1/78.3
			280A00	50.0	37.6/45.9	128.1/156.7
			281A00	75.0	56.3/68.9	192.2/235.0
		MED	279A00	25.0	18.8/23.0	64.1/78.3
			280A00	50.0	37.6/45.9	128.1/156.7
			281A00	75.0	56.3/68.9	192.2/235.0
		HIGH	279A00	25.0	18.8/23.0	64.1/78.3
			280A00	50.0	37.6/45.9	128.1/156.7
			281A00	75.0	56.3/68.9	192.2/235.0
	460-3-60	STD	282A00	25.0	23.0	78.3
			283A00	50.0	45.9	156.7
			284A00	75.0	68.9	235.0
		MED	282A00	25.0	23.0	78.3
			283A00	50.0	45.9	156.7
			284A00	75.0	68.9	235.0
		HIGH	282A00	25.0	23.0	78.3
			283A00	50.0	45.9	156.7
			284A00	75.0	68.9	235.0
	575-3-60	STD	285A00	24.8	22.8	77.7
			286A00	49.6	45.6	155.4
			287A00	74.4	68.3	233.1
		MED	285A00	24.8	22.8	77.7
			286A00	49.6	45.6	155.4
			287A00	74.4	68.3	233.1
		HIGH	285A00	24.8	22.8	77.7
			286A00	49.6	45.6	155.4
			287A00	74.4	68.3	233.1

LEGEND

APP PWR – 208 / 230V / 460V / 575V
 C.O. – Convenient outlet
 FLA – Full load amps
 IFM – Indoor fan motor

NOM PWR – 240V / 480V / 600V
 P.E. – Power exhaust
 PWRD – Powered convenient outlet
 UNPWRD – Unpowered convenient outlet

ELECTRICAL INFORMATION (UNITS PRODUCED PRIOR TO JULY 30, 2012)

**Table 31 – ELECTRIC HEAT - ELECTRICAL DATA (CONT.)
2-STAGE COOLING WITH 2-SPEED INDOOR FAN MOTOR**

20 -25 TONS

UNIT	NOM. V-Ph-Hz	IFM TYPE	ELECTRIC HEATER PART NUMBER CRHEATER	NOMINAL (kW)	APPLICATION (kW)	APPLICATION OUTPUT (MBH)	
50TC**24	208/203-3-60	STD	279A00	25.0	18.8/23.0	64.1/78.3	
			280A00	50.0	37.6/45.9	128.1/156.7	
			281A00	75.0	56.3/68.9	192.2/235.0	
		MED	279A00	25.0	18.8/23.0	64.1/78.3	
			280A00	50.0	37.6/45.9	128.1/156.7	
			281A00	75.0	56.3/68.9	192.2/235.0	
		HIGH	279A00	25.0	18.8/23.0	64.1/78.3	
			280A00	50.0	37.6/45.9	128.1/156.7	
			281A00	75.0	56.3/68.9	192.2/235.0	
	460-3-60	STD	282A00	25.0	23.0	78.3	
			283A00	50.0	45.9	156.7	
			284A00	75.0	68.9	235.0	
		MED	282A00	25.0	23.0	78.3	
			283A00	50.0	45.9	156.7	
			284A00	75.0	68.9	235.0	
		HIGH	282A00	25.0	23.0	78.3	
			283A00	50.0	45.9	156.7	
			284A00	75.0	68.9	235.0	
		575-3-60	STD	285A00	24.8	22.8	77.7
				286A00	49.6	45.6	155.4
				287A00	74.4	68.3	233.1
	MED		285A00	24.8	22.8	77.7	
			286A00	49.6	45.6	155.4	
			287A00	74.4	68.3	233.1	
HIGH	285A00		24.8	22.8	77.7		
	286A00		49.6	45.6	155.4		
	287A00		74.4	68.3	233.1		
50TC**28	208/230-3-60	STD	279A00	25.0	18.8/23.0	64.1/78.3	
			280A00	50.0	37.6/45.9	128.1/156.7	
			281A00	75.0	56.3/68.9	192.2/235.0	
		MED	279A00	25.0	18.8/23.0	64.1/78.3	
			280A00	50.0	37.6/45.9	128.1/156.7	
			281A00	75.0	56.3/68.9	192.2/235.0	
		HIGH	279A00	25.0	18.8/23.0	64.1/78.3	
			280A00	50.0	37.6/45.9	128.1/156.7	
			281A00	75.0	56.3/68.9	192.2/235.0	
	460-3-60	STD	282A00	25.0	23.0	78.3	
			283A00	50.0	45.9	156.7	
			284A00	75.0	68.9	235.0	
		MED	282A00	25.0	23.0	78.3	
			283A00	50.0	45.9	156.7	
			284A00	75.0	68.9	235.0	
		HIGH	282A00	25.0	23.0	78.3	
			283A00	50.0	45.9	156.7	
			284A00	75.0	68.9	235.0	
		575-3-60	STD	285A00	24.8	22.8	77.7
				286A00	49.6	45.6	155.4
				287A00	74.4	68.3	233.1
	MED		285A00	24.8	22.8	77.7	
			286A00	49.6	45.6	155.4	
			287A00	74.4	68.3	233.1	
HIGH	285A00		24.8	22.8	77.7		
	286A00		49.6	45.6	155.4		
	287A00		74.4	68.3	233.1		

LEGEND

APP PWR - 208 / 230V / 460V / 575V
 C.O. - Convenient outlet
 FLA - Full load amps
 IFM - Indoor fan motor

NOM PWR - 240V / 480V / 600V
 P.E. - Power exhaust
 PWRD - Powered convenient outlet
 UNPWRD - Unpowered convenient outlet

ELECTRICAL INFORMATION (UNITS PRODUCED PRIOR TO JULY 30, 2012)

**Table 32 – ELECTRIC HEAT - ELECTRICAL DATA
2-STAGE COOLING WITH 2-SPEED INDOOR FAN MOTOR**

27.5 TONS

UNIT	NOM. V-Ph-Hz	IFM TYPE	ELECTRIC HEATER PART NUMBER CRHEATER	NOMINAL (kW)	APPLICATION (kW)	APPLICATION OUTPUT (MBH)
50TC**30	208/230-3-60	STD	279A00	25.0	18.8/23.0	64.1/78.3
			280A00	50.0	37.6/45.9	128.1/156.7
			281A00	75.0	56.3/68.9	192.2/235.0
		MED	279A00	25.0	18.8/23.0	64.1/78.3
			280A00	50.0	37.6/45.9	128.1/156.7
			281A00	75.0	56.3/68.9	192.2/235.0
		HIGH	279A00	25.0	18.8/23.0	64.1/78.3
			280A00	50.0	37.6/45.9	128.1/156.7
			281A00	75.0	56.3/68.9	192.2/235.0
	460-3-60	STD	282A00	25.0	23.0	78.3
			283A00	50.0	45.9	156.7
			284A00	75.0	68.9	235.0
		MED	282A00	25.0	23.0	78.3
			283A00	50.0	45.9	156.7
			284A00	75.0	68.9	235.0
		HIGH	282A00	25.0	23.0	78.3
			283A00	50.0	45.9	156.7
			284A00	75.0	68.9	235.0
	575-3-60	STD	285A00	24.8	22.8	77.7
			286A00	49.6	45.6	155.4
			287A00	74.4	68.3	233.1
		MED	285A00	24.8	22.8	77.7
			286A00	49.6	45.6	155.4
			287A00	74.4	68.3	233.1
		HIGH	285A00	24.8	22.8	77.7
			286A00	49.6	45.6	155.4
			287A00	74.4	68.3	233.1

LEGEND

- APP PWR – 208 / 230V / 460V / 575V
- C.O. – Convenient outlet
- FLA – Full load amps
- IFM – Indoor fan motor

ELECTRICAL INFORMATION (UNITS PRODUCED PRIOR TO JULY 30, 2012) cont.

Table 33 – 50TC-D17 UNIT WIRE/FUSE OR HACR BREAKER SIZING DATA 2-STAGE COOLING WITH SINGLE SPEED INDOOR FAN MOTOR

NOM. V-Ph-Hz	ELECTRIC HEATER				NO C.O. or UNPWR C.O.								w/ PWRD C.O.							
	IFM TYPE	Nom (kW)	FLA	MCA	NO P.E.			w/ P.E. (pwrd fr/unit)			NO P.E.			w/ P.E. (pwrd fr/unit)						
					MAX FUSE or HACR BRKR	FLA	LRA	DISC. SIZE	MCA	MAX FUSE or HACR BRKR	FLA	LRA	DISC. SIZE	MCA	MAX FUSE or HACR BRKR	FLA	LRA	DISC. SIZE		
208/ 230-3-60	STD	-	-	79.1	82	485	96	505	83.9	100.0	88	490	95.7	125.0	101	510	510/510			
		18.8/25.0	52.1/60.1	79.1/84.5	82/82	485/485	96/96	505/505	83.9/90.5	100/100	88/88	490/490	95.7/105.3	125/125	101/101	510/510	510/510			
		37.6/50.0	104.2/120.3	139.6/129.7	128/147	485/485	142/161	505/505	145.6/135.7	150/150	134/152	490/490	160.4/150.4	175/175	148/166	510/510	510/510			
	MED	56.3/75.0	156.4/180.4	165.8/189.8	188/216	485/485	202/230	505/505	171.8/195.8	200/225	194/222	490/490	186.5/210.5	200/225	208/235	510/510	510/510			
		-	-	81.8	85	502	99	522	86.6	110.0	91	507	98.4	125.0	105	527	527			
		18.8/25.0	52.1/60.1	81.8/87.9	85/85	502/502	99/99	522/522	86.6/93.9	100/100	91/91	507/507	98.6/108.6	125/125	105/105	527/527	527/527			
	HIGH	37.6/50.0	104.2/120.3	143.0/133.1	132/150	502/502	145/164	522/522	149.0/139.1	150/150	137/156	507/507	163.8/153.8	175/175	151/169	527/527	527/527			
		56.3/75.0	156.4/180.4	169.2/193.2	192/219	502/502	205/233	522/522	175.2/199.2	200/225	197/225	507/507	189.9/213.9	200/225	211/238	527/527	527/527			
		-	-	86.6	91	511	105	531	91.4	100.0	96	516	103.2	125.0	110	536	536			
	460-3-60	STD	18.8/25.0	52.1/60.1	86.6/93.9	91/91	511/511	105/105	531/531	91.4/99.9	100/100	96/96	516/516	104.6/114.6	125/125	110/110	536/536	536/536		
37.6/50.0			104.2/120.3	149.0/139.1	137/156	511/511	151/169	531/531	155.0/145.1	175/175	143/161	516/516	169.8/159.8	175/175	156/175	536/536	536/536			
56.3/75.0			156.4/180.4	175.2/199.2	197/225	511/511	211/238	531/531	181.2/205.2	200/225	203/230	516/516	195.9/219.9	200/250	216/244	536/536	536/536			
MED		-	-	41.7	43	243	50	255	43.9	60.0	46	245	50.1	60.0	53	257	257			
		25.0	30.1	41.9	43	243	50	255	44.6	60.0	46	245	52.4	60.0	53	257	257			
		50.0	60.1	64.4	73	243	80	255	67.1	70.0	76	245	74.9	80.0	83	257	257			
HIGH		75.0	90.2	94.5	108	243	115	255	97.2	100	110	245	105.0	110	117	257	257			
		-	-	43.1	45	252	52	264	45.3	60.0	47	254	51.5	60.0	54	266	266			
		25.0	30.1	43.6	45	252	52	264	46.4	60.0	47	254	54.1	60.0	54	266	266			
575-3-60		STD	50.0	60.1	66.1	75	252	264	68.9	80.0	77	254	76.6	80.0	84	266	266			
	75.0		90.2	96.2	109	252	116	264	99.0	100	112	254	106.7	110	119	266	266			
	-		-	45.7	48	256	55	268	47.9	60.0	50	258	54.1	60.0	57	270	270			
	MED	25.0	30.1	46.9	48	256	55	268	49.6	60.0	50	258	57.4	60.0	57	270	270			
		50.0	60.1	69.4	78	256	85	268	72.1	80.0	80	258	79.9	80.0	87	270	270			
		75.0	90.2	99.5	112	256	119	268	102.2	110	115	258	110.0	125	122	270	270			
	HIGH	-	-	32.1	33	188	39	196	33.8	45.0	35	190	38.6	50.0	41	198	198			
		24.8	23.9	33.4	33	188	39	196	35.5	45.0	35	190	41.5	50.0	41	198	198			
		49.6	47.7	63.1	58	188	64	196	65.3	70.0	60	190	71.3	80.0	66	198	198			
	575-3-60	STD	49.6	47.7	63.1	58	188	64	196	65.3	70.0	60	190	71.3	80.0	66	198	198		
74.4			71.6	75.1	86	188	91	196	77.2	80	88	190	83.2	90	93	198	198			
-			-	34.9	37	202	42	210	36.6	45.0	39	204	41.4	50.0	44	212	212			
MED		24.8	23.9	36.9	37	202	42	210	39.0	45.0	39	204	45.0	50.0	44	212	212			
		49.6	47.7	66.6	61	202	67	210	68.8	70.0	63	204	74.8	80.0	69	212	212			
		74.4	71.6	78.6	89	202	94	210	80.7	90	91	204	86.7	90	96	212	212			

See: "Legend and Notes" on page 43

ELECTRICAL INFORMATION (UNITS PRODUCED PRIOR TO JULY 30, 2012) cont.

Table 34 – 50TC-D20 UNIT WIRE/FUSE OR HACR BREAKER SIZING DATA 2-STAGE COOLING WITH SINGLE SPEED INDOOR FAN MOTOR

NOM. V-Ph-Hz	ELECTRIC HEATER			NO C.O. or UNPWR C.O.						w/ PWRD C.O.								
	IFM TYPE	Nom (kW)	FLA	NO P.E.			w/ P.E. (pwrd fr/unit)			NO P.E.			w/ P.E. (pwrd fr/unit)					
				MAX FUSE or HACR BRKR	DISC. SIZE FLA	DISC. SIZE LRA	MCA	MAX FUSE or HACR BRKR	DISC. SIZE FLA	DISC. SIZE LRA	MCA	MAX FUSE or HACR BRKR	DISC. SIZE FLA	DISC. SIZE LRA	MCA			
208/ 230-3-60	STD	-	-	81.8	85	502	93.6	110.0	99	522	86.6	100.0	91	507	98.4	125.0	105	527
		18.8/25.0	52.1/60.1	81.8/87.9	85/85	502/502	93.6/102.6	110/110	99/99	522/522	86.6/93.9	100/100	91/91	507/507	98.6/108.6	125/125	105/105	527/527
		37.6/50.0	104.2/120.3	143.0/133.1	132/150	502/502	157.8/147.8	175/175	145/164	522/522	149.0/139.1	150/150	137/156	507/507	163.8/153.8	175/175	151/169	527/527
		56.3/75.0	156.4/180.4	169.2/193.2	192/219	502/502	183.9/207.9	200/225	205/233	522/522	175.2/199.2	200/225	197/225	507/507	189.9/213.9	200/225	211/238	527/527
		-	-	86.6	91	511	98.4	125.0	105	531	91.4	100.0	96	516	103.2	125.0	110	536
		18.8/25.0	52.1/60.1	86.6/93.9	91/91	511/511	98.6/108.6	125/125	105/105	531/531	91.4/99.9	100/100	96/96	516/516	104.6/114.6	125/125	110/110	536/536
	MED	37.6/50.0	104.2/120.3	149.0/139.1	137/156	511/511	163.8/153.8	175/175	151/169	531/531	155.0/145.1	175/175	149/161	516/516	169.8/159.8	175/175	156/175	536/536
		56.3/75.0	156.4/180.4	175.2/199.2	197/225	511/511	189.9/213.9	200/250	211/238	531/531	181.2/205.2	200/225	203/230	516/516	195.9/219.9	200/250	216/244	536/536
		-	-	88.7	93	513	100.5	125.0	107	533	93.5	110.0	99	518	105.3	125.0	112	538
		18.8/25.0	52.1/60.1	88.7/96.5	93/93	513/513	101.3/111.3	125/125	107/107	533/533	93.5/102.5	110/110	99/99	518/518	107.3/117.3	125/125	112/112	538/538
		37.6/50.0	104.2/120.3	151.6/141.7	139/158	513/513	166.4/156.4	175/175	153/172	533/533	157.6/147.7	175/175	145/164	518/518	172.4/162.4	175/175	159/177	538/538
		56.3/75.0	156.4/180.4	177.8/201.8	200/227	513/513	192.5/216.5	200/250	213/241	533/533	183.8/207.8	200/225	205/233	518/518	198.5/222.5	200/250	219/246	538/538
460-3-60	STD	-	-	43.1	45	252	49.3	60.0	52	264	45.3	60.0	47	254	51.5	60.0	54	266
		25.0	30.1	43.6	45	252	51.4	60.0	52	264	46.4	60.0	47	254	54.1	60.0	54	266
		50.0	60.1	66.1	75	252	73.9	80.0	82	264	68.9	80.0	77	254	76.6	80.0	84	266
		75.0	90.2	96.2	109	252	104.0	110	116	264	99.0	100	112	254	106.7	110	119	266
		-	-	45.7	48	256	51.9	60.0	55	268	47.9	60.0	50	258	54.1	60.0	57	270
		25.0	30.1	46.9	48	256	54.6	60.0	55	268	49.6	60.0	50	258	57.4	60.0	57	270
	MED	50.0	60.1	69.4	78	256	77.1	80.0	85	268	72.1	80.0	80	258	79.9	80.0	87	270
		75.0	90.2	99.5	112	256	107.2	125	119	268	102.2	110	115	258	110.0	125	122	270
		-	-	46.9	49	257	53.1	60.0	56	269	49.1	60.0	52	259	55.3	60.0	59	271
		25.0	30.1	48.4	49	257	56.1	60.0	56	269	51.1	60.0	52	259	58.9	60.0	59	271
		50.0	60.1	70.9	79	257	78.6	80.0	86	269	73.6	80.0	82	259	81.4	90.0	89	271
		75.0	90.2	101.0	114	257	108.7	125	121	269	103.7	125	116	259	111.5	125	123	271
575-3-60	STD	-	-	32.1	33	188	36.9	45.0	39	196	33.8	45.0	35	190	38.6	50.0	41	198
		24.8	23.9	33.4	33	188	39.4	45.0	39	196	35.5	45.0	35	190	41.5	50.0	41	198
		49.6	47.7	63.1	58	188	69.1	70.0	64	196	65.3	70.0	60	190	71.3	80.0	66	198
		74.4	71.6	75.1	86	188	81.1	90	91	196	77.2	80	88	190	83.2	90	93	198
		-	-	34.9	37	202	39.7	50.0	42	210	36.6	45.0	39	204	41.4	50.0	44	212
		24.8	23.9	36.9	37	202	42.9	50.0	42	210	39.0	45.0	39	204	45.0	50.0	44	212
	MED	49.6	47.7	66.6	61	202	72.6	80.0	67	210	68.8	70.0	63	204	74.8	80.0	69	212
		74.4	71.6	78.6	89	202	84.6	90	94	210	80.7	90	91	204	86.7	90	96	212
		-	-	36.9	39	200	41.7	50.0	44	208	38.6	50.0	41	202	43.4	50.0	46	210
		24.8	23.9	39.4	39	200	45.4	50.0	44	208	41.5	50.0	41	202	47.5	50.0	46	210
		49.6	47.7	69.1	64	200	75.1	80.0	69	208	71.3	80.0	66	202	77.3	80.0	71	210
		74.4	71.6	81.1	91	200	87.1	90	97	208	83.2	90	93	202	89.2	90	99	210

See: "Legend and Notes" on page 43

**ELECTRICAL INFORMATION
(UNITS PRODUCED PRIOR TO JULY 30, 2012) cont.**

Table 37 – 50TC-D30 UNIT WIRE/FUSE OR HACR BREAKER SIZING DATA 2-STAGE COOLING WITH SINGLE SPEED INDOOR FAN MOTOR

NOM. V-Ph-Hz	ELECTRIC HEATER			NO C.O. or UNPWR C.O.								w/ PWRD C.O.								
	IFM TYPE	Nom (kW)	FLA	NO P.E.				w/ P.E. (pwrd fr/unit)				NO P.E.				w/ P.E. (pwrd fr/unit)				
				MAX FUSE or HACR BRKR	DISC. SIZE FLA	DISC. SIZE LRA	MCA	MAX FUSE or HACR BRKR	DISC. SIZE FLA	DISC. SIZE LRA	MCA	MAX FUSE or HACR BRKR	DISC. SIZE FLA	DISC. SIZE LRA	MCA	MAX FUSE or HACR BRKR	DISC. SIZE FLA	DISC. SIZE LRA		
208/ 230-3-60	STD	18.8/25.0	52.1/60.1	141.5	175.0	148	702	702	722	146.3	200.0	162	162	175.0	154	707	158.1	200.0	167	727
		37.6/50.0	104.2/120.3	151.6/141.7	175/175	148/148	702/702	702/702	722/722	146.3/146.3	200/200	162/162	162/162	175/175	154/154	707/707	158.1/158.1	200/200	167/167	727/727
		56.3/75.0	156.4/180.4	177.8/201.8	200/225	148/158	702/702	702/702	722/722	157.6/147.7	200/250	162/172	213/241	205/233	154/164	707/707	172.4/162.4	200/200	167/177	727/727
	MED	18.8/25.0	52.1/60.1	152.9	200.0	161	781	781	801	157.7	200.0	175	175	200.0	167	786	169.5	200.0	180	806
		37.6/50.0	104.2/120.3	165.9/155.9	200/200	161/161	781/781	781/781	801/801	157.7/157.7	200/200	175/175	175/175	200/200	167/167	786/786	169.5/169.5	200/200	180/180	806/806
		56.3/75.0	156.4/180.4	192.0/216.0	200/250	213/240	781/781	781/781	801/801	198.0/222.0	225/250	226/254	226/254	225/250	218/246	786/786	212.8/236.8	225/250	232/259	806/806
460-3-60	HIGH	18.8/25.0	52.1/60.1	154.8/154.8	200/200	163	812	812	832	159.6	200.0	177	177	200.0	169	817	171.4	200.0	182	837
		37.6/50.0	104.2/120.3	168.3/158.3	200/200	163/163	812/812	812/812	832/832	159.6/159.6	200/200	177/177	177/177	200/200	169/169	817/817	171.4/171.4	200/200	182/182	837/837
		56.3/75.0	156.4/180.4	194.4/218.4	225/250	215/242	812/812	812/812	832/832	200.4/224.4	225/250	228/256	228/256	225/250	220/248	817/817	215.2/239.2	225/250	234/262	837/837
	STD	25.0	30.1	66.0	80.0	69	354	354	366	68.2	90.0	76	76	90.0	72	356	74.4	90.0	79	368
		50.0	60.1	70.9	80.0	79	354	354	366	73.6	90.0	86	86	90.0	82	356	81.4	90.0	89	368
		75.0	90.2	101.0	110	114	354	354	366	103.7	125	121	121	125	116	356	111.5	125	123	368
MED	25.0	30.1	71.7	90.0	76	394	394	406	73.9	100.0	83	83	100.0	78	396	80.1	100.0	85	408	
	50.0	60.1	78.0	90.0	86	394	394	406	80.7	100.0	93	93	100.0	88	396	88.5	100.0	95	408	
	75.0	90.2	108.1	125	120	394	394	406	110.8	125	127	127	125	123	396	118.6	125	130	408	
HIGH	25.0	30.1	72.6	90.0	77	409	409	421	74.8	100.0	84	84	100.0	79	411	81.0	100.0	86	423	
	50.0	60.1	79.1	90.0	87	409	409	421	81.9	100.0	94	94	100.0	89	411	89.6	100.0	96	423	
	75.0	90.2	109.2	125	121	409	409	421	112.0	125	128	128	125	124	411	119.7	125	131	423	
575-3-60	STD	24.8	23.9	56.0	70.0	59	264	264	272	57.7	70.0	64	64	70.0	61	266	62.5	80.0	66	274
		49.6	47.7	69.1	70.0	64	264	264	272	71.3	80.0	69	69	80.0	66	266	77.3	80.0	71	274
		74.4	71.6	81.1	90	91	264	264	272	83.2	90	97	97	90	93	266	89.2	90	99	274
	MED	24.8	23.9	57.9	70.0	61	291	291	299	59.6	70.0	66	66	70.0	63	293	64.4	80.0	68	301
		49.6	47.7	71.5	80.0	66	291	291	299	64.4	80.0	71	71	80.0	68	293	64.4	80.0	68	301
		74.4	71.6	83.5	90	93	291	291	299	73.6	80.0	71	71	80.0	68	293	79.6	80.0	73	301
HIGH	24.8	23.9	60.8	80.0	64	302	302	310	62.5	80.0	70	70	80.0	66	304	67.3	80.0	72	312	
	49.6	47.7	75.1	80.0	69	302	302	310	62.5	80.0	70	70	80.0	66	304	67.3	80.0	72	312	
	74.4	71.6	87.1	100	97	302	302	310	77.3	100	75	75	100	71	304	83.3	90.0	77	312	

See: "Legend and Notes" on page 43

ELECTRICAL INFORMATION (UNITS PRODUCED PRIOR TO JULY 30, 2012) cont.

Table 39 – 50TC-D20 **UNIT WIRE/FUSE OR HACR BREAKER SIZING DATA 2-STAGE COOLING WITH 2-SPEED INDOOR FAN MOTOR**

NOM. V-Ph-Hz	ELECTRIC HEATER			NO C.O. or UNPWR C.O.						w/ PWRD C.O.							
	IFM TYPE	Nom (kW)	FLA	NO P.E.			w/ P.E. (pwrd fr/unit)			NO P.E.			w/ P.E. (pwrd fr/unit)				
				MAX FUSE or HACR BRKR	FLA	DISC. SIZE	MCA	MAX FUSE or HACR BRKR	FLA	DISC. SIZE	MCA	MAX FUSE or HACR BRKR	FLA	DISC. SIZE	MCA	MAX FUSE or HACR BRKR	FLA
208/ 230-3-60	STD	-	-	86/85	506	526	87.2/86.2	100/99	526	87.2/86.2	100/100	92/91	511	99.0/98.0	125/125	105/104	531
		18.8/25.0	52.1/60.1	86/85	506/506	526/526	87.2/93.4	100/99	526/526	87.2/93.4	100/100	92/91	511/511	99.4/108.1	125/125	105/104	531/531
		37.6/50.0	104.2/120.3	132/150	506/506	526/526	149.8/138.6	146/163	526/526	149.8/138.6	150/150	138/155	511/511	164.5/153.3	175/175	151/169	531/531
	MED	56.3/75.0	156.4/180.4	192/219	506/506	526/526	184.7/207.4	206/225	526/526	175.9/198.7	200/225	198/224	511/511	190.7/213.4	200/225	211/238	531/531
		-	-	89/88	517	537	90.0/89.1	103/102	537	90.0/89.1	100/100	95/94	522	101.8/100.9	125/125	108/107	542
		18.8/25.0	52.1/60.1	89/88	517/517	537/537	97.0/105.8	103/102	537/537	90.0/97.0	100/100	95/94	522/522	102.9/111.8	125/125	108/107	542/542
460-3-60	STD	-	-	93	513	533	99.5	107	533	99.5	110	99	518	105.3	125	112	538
		25.0	30.1	45	254	266	46.5	52	266	46.5	60	47	256	54.3	60	55	268
		50.0	60.1	75	254	266	69.0	82	266	69.0	80	77	256	76.7	80	84	268
	MED	75.0	90.2	109	254	266	99.1	116	266	99.1	100	112	256	106.8	110	119	268
		-	-	47	259	271	46.9	54	271	46.9	60	49	261	53.1	60	56	273
		25.0	30.1	47	259	271	53.4	54	271	48.4	60	49	261	56.1	60	56	273
575-3-60	STD	-	-	35	188	196	38.6	41	196	38.6	45	37	190	40.3	50	43	198
		24.8	23.9	35	188	196	41.5	41	196	37.6	45	37	190	43.6	50	43	198
		49.6	47.7	60	188	196	71.3	66	196	67.4	70	62	190	73.4	80	68	198
	MED	74.4	71.6	88	188	196	83.2	93	196	79.4	90	89	190	85.4	90	95	198
		-	-	37	202	210	43.6	43	210	37.2	45	39	204	42.0	50	45	212
		24.8	23.9	37	202	210	43.6	43	210	39.8	45	39	204	45.8	50	45	212
HIGH	49.6	47.7	62	202	210	73.4	68	210	69.5	70	64	204	75.5	80	69	212	
	74.4	71.6	89	202	210	85.4	95	210	81.5	90	91	204	87.5	90	97	212	
	-	-	39	200	208	41.7	44	208	38.6	50	41	202	43.4	50	46	210	
	24.8	23.9	39	200	208	41.5	44	208	41.5	50	41	202	47.5	50	46	210	
	49.6	47.7	64	200	208	71.3	69	208	71.3	80	66	202	77.3	80	71	210	
	74.4	71.6	91	200	208	87.1	97	208	83.2	90	93	202	89.2	90	99	210	

See: "Legend and Notes" on page 43

**ELECTRICAL INFORMATION
(UNITS PRODUCED PRIOR TO JULY 30, 2012) cont.**

Table 40 – 50TC-D24
UNIT WIRE/FUSE OR HACR BREAKER SIZING DATA 2-STAGE COOLING WITH 2-SPEED INDOOR FAN MOTOR

NOM. V-Ph-Hz	IFM TYPE	Nom (kW)	ELECTRIC HEATER	NO C.O. or UNPWR C.O.						w/ PWRD C.O.									
				NO P.E.			w/ P.E. (pwrdr fr/unit)			NO P.E.			w/ P.E. (pwrdr fr/unit)						
				MCA	MAX FUSE or HACR BRKR	DISC. SIZE	MCA	MAX FUSE or HACR BRKR	DISC. SIZE	MCA	MAX FUSE or HACR BRKR	DISC. SIZE	MCA	MAX FUSE or HACR BRKR	DISC. SIZE	MCA	MAX FUSE or HACR BRKR	DISC. SIZE	
FLA	FLA	FLA	FLA	FLA	FLA	FLA	FLA	FLA	FLA	FLA	FLA	FLA	FLA	FLA	FLA				
208/230-3-60	STD	-	-	109.2/108.3	150/150	112/111	540	121.0/120.1	150/150	125/124	560	114.0/113.1	150/150	117/116	545	125.8/124.9	150/150	131/130	565
		18.8/25.0	52.1/60.1	109.2/108.3	150/150	112/111	540/540	121.0/120.1	150/150	125/124	560/560	114.0/113.1	150/150	117/116	545/545	125.8/124.9	150/150	131/130	565/565
	MED	37.6/50.0	104.2/120.3	147.3/136.2	150/150	135/153	540/540	162.0/150.9	175/175	149/167	560/560	153.3/142.2	175/175	141/158	545/545	168.0/156.9	175/175	155/172	565/565
		56.3/75.0	156.4/180.4	173.4/196.3	200/225	196/222	540/540	188.2/211.0	200/225	209/236	560/560	179.4/202.3	200/225	201/228	545/545	194.2/217.0	200/250	215/241	565/565
	HIGH	18.8/25.0	52.1/60.1	112.7/112.7	150/150	116/116	536/536	124.5/124.5	150/150	129/129	556/556	117.5/117.5	150/150	121/121	541/541	129.3/129.3	175/175	135/135	561/561
		37.6/50.0	104.2/120.3	151.6/141.7	175/175	139/158	536/536	166.4/156.4	175/175	153/172	556/556	157.6/147.7	175/175	145/164	541/541	172.4/162.4	175/175	159/177	561/561
460-3-60	HIGH	56.3/75.0	156.4/180.4	177.8/201.8	200/225	200/227	536/536	192.5/216.5	200/250	213/241	556/556	183.8/207.8	200/225	205/233	541/541	198.5/222.5	200/250	219/246	561/561
		18.8/25.0	52.1/60.1	124.1/124.1	150/150	129/129	615/615	135.9/135.9	175/175	142/142	635/635	128.9/128.9	175/175	134/134	620/620	140.7/140.7	175/175	148/148	640/640
	STD	37.6/50.0	104.2/120.3	165.9/155.9	175/175	153/171	615/615	180.6/170.7	200/175	166/185	635/635	171.9/161.9	175/175	158/177	620/620	186.6/176.7	200/200	172/190	640/640
		56.3/75.0	156.4/180.4	192.0/216.0	200/250	213/240	615/615	206.8/230.8	225/250	226/254	635/635	198.0/222.0	225/250	218/246	620/620	212.8/236.8	225/250	232/259	640/640
	STD	25.0	30.1	48.0	60	50	272	54.2	60	57	284	50.2	60	52	274	56.4	70	59	286
		50.0	60.1	68.1	80	76	272	75.9	80	84	284	70.9	80	79	274	78.6	80	86	286
	MED	75.0	90.2	98.2	100	111	272	106.0	125	118	284	101.0	110	114	274	108.7	125	121	286
		25.0	30.1	50.2	60	52	270	56.4	70	59	282	52.4	60	55	272	58.6	70	62	284
	HIGH	50.0	60.1	78.0	90	86	310	85.7	90	93	322	80.7	90	88	312	88.5	100	95	324
		75.0	90.2	108.1	125	120	310	115.8	125	127	322	110.8	125	123	312	118.6	125	130	324
	STD	24.8	23.9	39.2	50	41	224	44.0	50	46	232	40.9	50	43	226	45.7	60	48	234
		49.6	47.7	67.4	70	62	224	73.4	80	68	232	69.5	70	64	226	75.5	80	69	234
	MED	74.4	71.6	79.4	90	89	224	85.4	90	95	232	81.5	90	91	226	87.5	90	97	234
		24.8	23.9	40.6	50	42	222	45.4	60	48	230	42.3	50	44	224	47.1	60	50	232
	HIGH	49.6	47.7	69.1	70	64	222	75.1	80	69	230	71.3	80	66	224	77.3	80	71	232
		74.4	71.6	81.1	90	91	222	87.1	90	97	230	83.2	90	93	224	89.2	90	99	232
	STD	24.8	23.9	42.5	50	45	249	47.3	60	50	257	44.2	50	47	251	49.0	60	52	259
		49.6	47.7	71.5	80	66	249	77.5	80	71	257	73.6	80	68	251	79.6	80	73	259
	HIGH	74.4	71.6	83.5	90	93	249	89.5	100	99	257	85.6	90	95	251	91.6	100	101	259

See: "Legend and Notes" on page 43

ELECTRICAL INFORMATION (UNITS PRODUCED PRIOR TO JULY 30, 2012) cont.

Table 41 – 50TC-D28 UNIT WIRE/FUSE OR HACR BREAKER SIZING DATA 2-STAGE COOLING WITH 2-SPEED INDOOR FAN MOTOR

NOM. V-Ph-Hz	ELECTRIC HEATER				NO C.O. or UNPWR C.O.								w/ PWRD C.O.							
	IFM TYPE	Nom (kW)	FLA	MCA	NO P.E.				w/ P.E. (pwrd fr/unit)				NO P.E.				w/ P.E. (pwrd fr/unit)			
					MAX FUSE or HACR BRKR	FLA	DISC. SIZE	MCA	MAX FUSE or HACR BRKR	FLA	DISC. SIZE	MCA	MAX FUSE or HACR BRKR	FLA	DISC. SIZE	MCA	MAX FUSE or HACR BRKR	FLA	DISC. SIZE	MCA
208/ 230-3-60	STD	18.8/25.0	52.1/60.1	127.8/126.9	133/132	590	139.6/138.7	175/175	147/146	610	132.6/131.7	175/175	139/138	595	144.4/143.5	175/175	152/151	615		
		37.6/50.0	104.2/120.3	147.3/136.2	135/153	590/590	139.6/138.7	175/175	147/146	610/610	132.6/131.7	175/175	139/138	595/595	144.4/143.5	175/175	152/151	615/615		
		56.3/75.0	156.4/180.4	173.4/196.3	196/222	590/590	188.2/211.0	200/225	209/236	610/610	179.4/202.3	200/225	201/228	595/595	194.2/217.0	200/250	215/241	615/615		
	MED	18.8/25.0	52.1/60.1	131.3/131.3	137/137	586/586	143.1/143.1	175/175	151/151	606/606	136.1/136.1	175/175	143/143	591/591	147.9	175	156	611		
		37.6/50.0	104.2/120.3	151.6/141.7	139/158	586/586	166.4/156.4	175/175	153/172	606/606	157.6/147.7	175/175	145/164	591/591	172.4/162.4	175/175	159/177	611/611		
		56.3/75.0	156.4/180.4	177.8/201.8	200/227	586/586	192.5/216.5	200/250	213/241	606/606	183.8/207.8	200/225	205/233	591/591	196.5/222.5	200/250	219/246	611/611		
460-3-60	HIGH	18.8/25.0	52.1/60.1	142.7/142.7	150/150	665/665	154.5/154.5	200/200	164/164	685/685	147.5/147.5	175/175	156/156	670/670	159.3/159.3	200/200	189/189	690/690		
		37.6/50.0	104.2/120.3	165.9/155.9	153/171	665/665	180.6/170.7	200/200	166/185	685/685	171.9/161.9	175/175	158/177	670/670	186.6/176.7	200/200	172/190	690/690		
		56.3/75.0	156.4/180.4	192.0/216.0	213/240	665/665	206.8/230.8	225/250	226/254	685/685	198.0/222.0	225/250	218/246	670/670	212.8/236.8	225/250	232/259	690/690		
	STD	25.0	30.1	51.9	60	302	58.1	70	61	314	54.1	60	57	304	60.3	70	64	316		
		50.0	60.1	68.1	80	302	75.9	80	84	314	70.9	80	79	304	78.6	80	86	316		
		75.0	90.2	98.2	100	302	106.0	125	118	314	101.0	110	114	304	108.7	125	121	316		
575-3-60	MED	25.0	30.1	54.1	60	300	60.3	70	64	312	56.3	70	59	302	62.5	80	66	314		
		50.0	60.1	70.9	80	300	60.3	70	64	312	56.3	70	59	302	62.5	80	66	314		
		75.0	90.2	101.0	110	300	108.7	125	121	312	103.7	125	116	302	111.5	125	123	314		
	HIGH	25.0	30.1	59.8	70	340	66.0	80	70	352	62.0	80	66	342	68.2	80	73	354		
		50.0	60.1	78.0	90	340	85.7	90	93	352	80.7	90	88	342	88.5	100	95	354		
		75.0	90.2	108.1	125	340	115.8	125	127	352	110.8	125	123	342	118.6	125	130	354		
575-3-60	STD	24.8	23.9	41.7	50	244	46.5	60	49	252	43.4	50	46	246	48.2	60	51	254		
		49.6	47.7	67.4	70	244	73.4	80	68	252	69.5	70	64	246	75.5	80	69	254		
		74.4	71.6	79.4	90	244	85.4	90	95	252	81.5	90	91	246	87.5	90	97	254		
	MED	24.8	23.9	43.1	50	242	47.9	60	51	250	44.8	50	47	244	49.6	60	53	252		
		49.6	47.7	69.1	70	242	75.1	80	69	250	71.3	80	66	244	77.3	80	71	252		
		74.4	71.6	81.1	90	242	87.1	90	97	250	83.2	90	93	244	89.2	90	99	252		
HIGH	24.8	23.9	45.0	50	269	49.8	60	53	277	46.7	60	49	271	51.5	60	55	279			
	49.6	47.7	71.5	80	269	77.5	80	71	277	73.6	80	68	271	79.6	80	73	279			
	74.4	71.6	83.5	90	269	89.5	100	99	277	85.6	90	95	271	91.6	100	101	279			

See: "Legend and Notes" on page 43

ELECTRICAL INFORMATION (UNITS PRODUCED PRIOR TO JULY 30, 2012) cont.

Table 42 – 50TC-D30 UNIT WIRE/FUSE OR HACR BREAKER SIZING DATA 2-STAGE COOLING WITH 2-SPEED INDOOR FAN MOTOR

NOM. V-Ph-Hz	ELECTRIC HEATER										NO C.O. or UNPWR C.O.										w/ PWRD C.O.									
	IFM TYPE	Nom (kW)	FLA	NO P.E.			w/ P.E. (pwrd fr/unit)			NO P.E.			w/ P.E. (pwrd fr/unit)			NO P.E.			w/ P.E. (pwrd fr/unit)											
				MCA	MAX FUSE or HACR BRKR	DISC. SIZE FLA LRA	MCA	MAX FUSE or HACR BRKR	DISC. SIZE FLA LRA	MCA	MAX FUSE or HACR BRKR	DISC. SIZE FLA LRA	MCA	MAX FUSE or HACR BRKR	DISC. SIZE FLA LRA	MCA	MAX FUSE or HACR BRKR	DISC. SIZE FLA LRA												
208/ 230-3-60	STD	18.8/25.0	52.1/60.1	141.5	148	702	153.3	200	162	722	146.3	175	154	707	158.1	200	167	727												
		37.6/50.0	104.2/120.3	151.6/141.7	148/148	702/702	153.3/153.3	200/200	162/162	722/722	146.3/146.3	175/175	154/154	707/707	158.1/158.1	200/200	167/167	727/727												
		56.3/75.0	156.4/180.4	177.8/201.8	148/158	702/702	166.4/156.4	200/200	162/172	722/722	157.6/147.7	175/175	154/164	707/707	172.4/162.4	200/200	167/177	727/727												
	MED	18.8/25.0	52.1/60.1	152.9	161	781	164.7	200	175	801	157.7	200	167	786	169.5	200	180	806												
		37.6/50.0	104.2/120.3	165.9/155.9	161/161	781/781	164.7/164.7	200/200	175/175	801/801	157.7/157.7	200/200	167/167	786/786	169.5/169.5	200/200	180/180	806/806												
		56.3/75.0	156.4/180.4	192.0/216.0	213/240	781/781	206.8/230.8	225/250	226/254	801/801	198.0/222.0	225/250	218/246	786/786	212.8/236.8	225/250	232/259	806/806												
	460-3-60	HIGH	18.8/25.0	52.1/60.1	154.8/154.8	163	812	166.6	200	177	832	159.6	200	169	817	171.4	200	182	837											
			37.6/50.0	104.2/120.3	168.3/158.3	163/163	812/812	166.6/166.6	200/200	177/177	832/832	159.6/159.6	200/200	169/169	817/817	171.4/171.4	200/200	182/182	837/837											
			56.3/75.0	156.4/180.4	194.4/218.4	215/242	812/812	209.2/233.2	225/250	228/256	832/832	200.4/224.4	225/250	220/248	817/817	215.2/239.2	225/250	234/262	837/837											
		STD	25.0	30.1	66.0	69	354	72.2	90	76	366	68.2	90	72	356	74.4	90	79	368											
			50.0	60.1	70.9	79	354	78.6	90	86	366	73.6	90	82	356	81.4	90	89	368											
			75.0	90.2	101.0	114	354	108.7	125	121	366	103.7	125	116	356	111.5	125	123	368											
575-3-60	MED	25.0	30.1	71.7	76	394	77.9	100	83	406	73.9	90	78	396	80.1	100	85	408												
		50.0	60.1	78.0	76	394	77.9	100	83	406	73.9	90	78	396	80.1	100	85	408												
		75.0	90.2	108.1	120	394	115.8	125	127	406	110.8	125	123	396	118.6	125	130	408												
	HIGH	25.0	30.1	72.6	77	409	78.8	100	84	421	74.8	90	79	411	81.0	100	86	423												
		50.0	60.1	79.1	87	409	86.9	100	94	421	81.9	90	89	411	89.6	100	96	423												
		75.0	90.2	109.2	121	409	117.0	125	128	421	112.0	125	124	411	119.7	125	131	423												
STD	24.8	23.9	56.0	59	264	60.8	80	64	272	57.7	70	61	266	62.5	80	66	274													
	49.6	47.7	69.1	64	264	60.8	80	64	272	57.7	70	61	266	62.5	80	66	274													
	74.4	71.6	81.1	91	264	60.8	80	69	272	57.7	70	66	266	77.3	80	71	274													
	24.8	23.9	57.9	61	291	62.7	80	66	299	59.6	70	63	293	64.4	80	68	301													
	49.6	47.7	71.5	66	291	62.7	80	66	299	59.6	70	63	293	64.4	80	68	301													
	74.4	71.6	83.5	93	291	77.5	80	71	299	73.6	80	68	293	79.6	80	73	301													
HIGH	24.8	23.9	60.8	64	302	65.6	80	70	310	62.5	80	66	304	67.3	80	72	312													
	49.6	47.7	75.1	69	302	65.6	80	70	310	62.5	80	66	304	67.3	80	72	312													
	74.4	71.6	87.1	97	302	93.1	100	102	310	77.3	80	71	304	83.3	90	77	312													
	24.8	23.9	60.8	64	302	65.6	80	70	310	62.5	80	66	304	67.3	80	72	312													
	49.6	47.7	75.1	69	302	65.6	80	70	310	62.5	80	66	304	67.3	80	72	312													
	74.4	71.6	87.1	97	302	93.1	100	102	310	77.3	80	71	304	83.3	90	77	312													

See: "Legend and Notes" on page 43

SEQUENCE OF OPERATION

General

The sequence below describes the sequence of operation for an electro-mechanical unit with and without a factory installed EconoMi\$er™ IV and X (called “economizer” in this sequence). For information regarding a direct digital controller, see the start-up, operations, and troubleshooting manual for the applicable controller.

Electro-mechanical units with no economizer

Cooling (Single speed indoor fan motor) —

When the thermostat calls for cooling, terminals G and Y1 are energized. As a result, the indoor-fan contactor (IFC) and the compressor contactor (C1) are energized, causing the indoor-an motor (IFM), compressor #1, and outdoor fan to start. If the unit has 2 stages of cooling, the thermostat will additionally energize Y2. The Y2 signal will energize compressor contactor #2 (C2), causing compressor #2 to start. Regardless of the number of stages, the outdoor-fan motor runs continuously while unit is cooling.

Cooling (2-speed indoor fan motor) —

Per ASHRAE 90.1 2010 standard section 6.4.3.10.b, during the first stage of cooling operation the VFD will adjust the fan motor to provide 2/3rd of the total cfm established for the unit. When a call for the second stage of cooling is required, the VFD will allow the total cfm for the unit established (100%).

Heating —

NOTE: The 50TC is sold as cooling only. If electric heaters are required, use only factory-approved electric heaters. They will operate as described below.

Units have either 1 or 2 stages of electric heat. When the thermostat calls for heating, power is applied to the W1 terminal at the unit. The unit control will energize the indoor fan contactor and the first stage of electric heat. On units with 2-stage heating, when additional heating is required, the second stage of electric heat (if equipped) will be energized when power is applied at the W2 terminal on the unit.

Electro-mechanical units with an economizer

Cooling —

When free cooling is not available, the compressors will be controlled by the zone thermostat. When free cooling is available, the outdoor-air damper is modulated by the EconoMi\$er IV and X control to provide a 50°F (10°C) to 55°F (13°C) mixed-air temperature into the zone. As the mixed air temperature fluctuates above 55°F (13°C) or below 50°F (10°C) dampers will be modulated (open or close) to bring the mixed-air temperature back within control. If mechanical cooling is utilized with free

cooling, the outdoor-air damper will maintain its current position at the time the compressor is started. If the increase in cooling capacity causes the mixed-air temperature to drop below 45°F (9°C), then the outdoor-air damper position will be decreased to the minimum position. If the mixed-air temperature continues to fall, the outdoor-air damper will close. Control returns to normal once the mixed-air temperature rises above 48°F (9°C). The power exhaust fans will be energized and de-energized, if installed, as the outdoor-air damper opens and closes.

If field-installed accessory CO₂ sensors are connected to the EconoMi\$er IV and X control, a demand controlled ventilation strategy will begin to operate. As the CO₂ level in the zone increases above the CO₂ setpoint, the minimum position of the damper will be increased proportionally. As the CO₂ level decreases because of the increase in fresh air, the outdoor-air damper will be proportionally closed. For EconoMi\$er IV and X operation, there must be a thermostat call for the fan (G). If the unit is occupied and the fan is on, the damper will operate at minimum position. Otherwise, the damper will be closed.

When the EconoMi\$er IV control is in the occupied mode and a call for cooling exists (Y1 on the thermostat), the control will first check for indoor fan operation. If the fan is not on, then cooling will not be activated. If the fan is on, then the control will open the EconoMi\$er IV damper to the minimum position.

On the initial power to the EconoMi\$er IV control, it will take the damper up to 2 1/2 minutes before it begins to position itself. After the initial power-up, further changes in damper position can take up to 30 seconds to initiate. Damper movement from full closed to full open (or vice versa) will take between 1 1/2 and 2 1/2 minutes. If free cooling can be used as determined from the appropriate changeover command (switch, dry bulb, enthalpy curve, differential dry bulb, or differential enthalpy), then the control will modulate the dampers open to maintain the mixed-air temperature setpoint at 50°F (10°C) to 55°F (13°C). If there is a further demand for cooling (cooling second stage - Y2 is energized), then the control will bring on compressor stage 1 to maintain the mixed-air temperature setpoint. The EconoMi\$er IV damper will be open at maximum position. EconoMi\$er IV operation is limited to a single compressor.

2-Speed Note: When operating in ventilation mode only, the indoor fan motor will automatically adjust to 2/3rd of the total cfm established.

SEQUENCE OF OPERATION (cont.)

Heating —

The sequence of operation for the heating is the same as an electromechanical unit with no economizer. The only difference is how the economizer acts. The economizer will stay at the Economizer Minimum Position while the evaporator fan is operating. The outdoor-air damper is closed when the indoor fan is not operating.

Refer to Service and Maintenance Manual for further details.

Optional Humidi-MiZer Dehumidification System

Units with the factory equipped Humidi-MiZer option are capable of providing multiple modes of improved dehumidification as a variation of the normal cooling cycle. The Humidi-MiZer option includes additional valves in the liquid line and discharge line of each refrigerant circuit, a small reheat condenser coil downstream of the evaporator, and Motormaster variable-speed control of some or all outdoor fans. Operation of the revised refrigerant circuit for each mode is described below.

The Humidi-MiZer system provides three sub-modes of operation: Cool, Reheat1, and Reheat2.

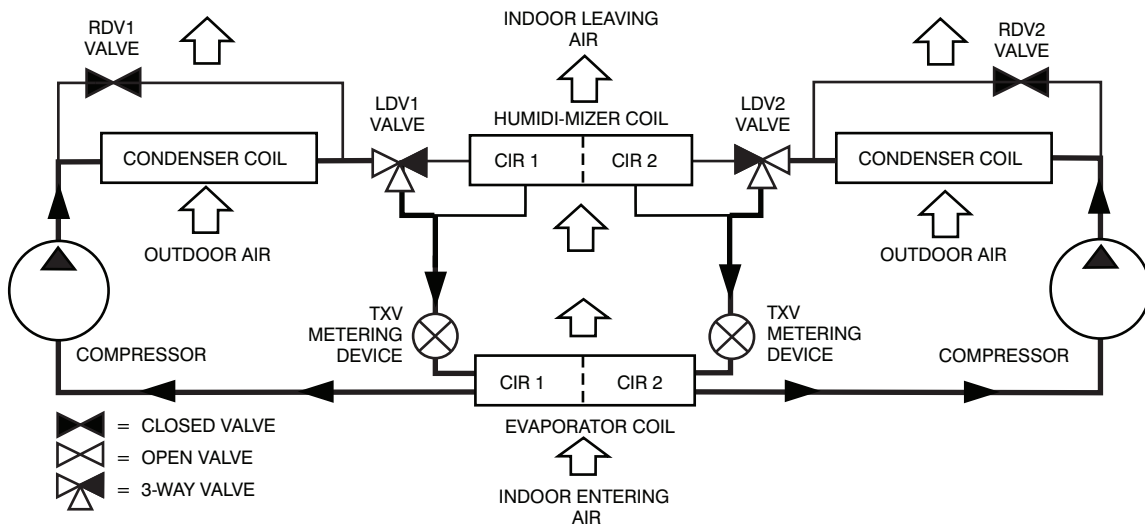
Cool mode - provides a normal ratio of Sensible and Latent Cooling effect from the evaporator coil.

Reheat1 - provides increased Latent Cooling while slightly reducing the Sensible Cooling effect.

Reheat2 - provides normal Latent Cooling but with null or minimum Sensible Cooling effect delivered to the space.

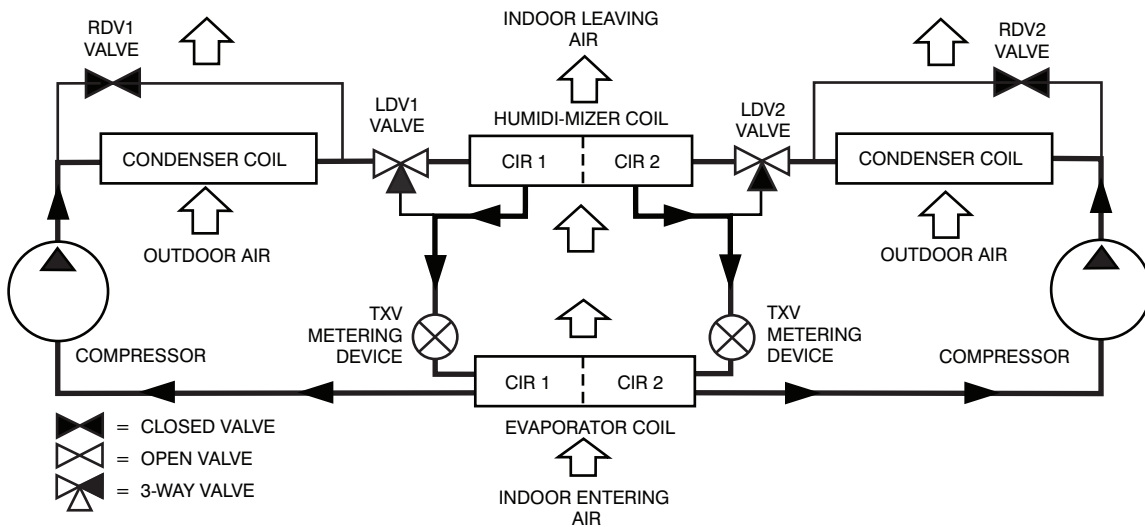
The Reheat1 and Reheat2 modes are available when the unit is not in a Heating mode and when the Low Ambient Lockout switch is closed.

SEQUENCE OF OPERATION (cont.)



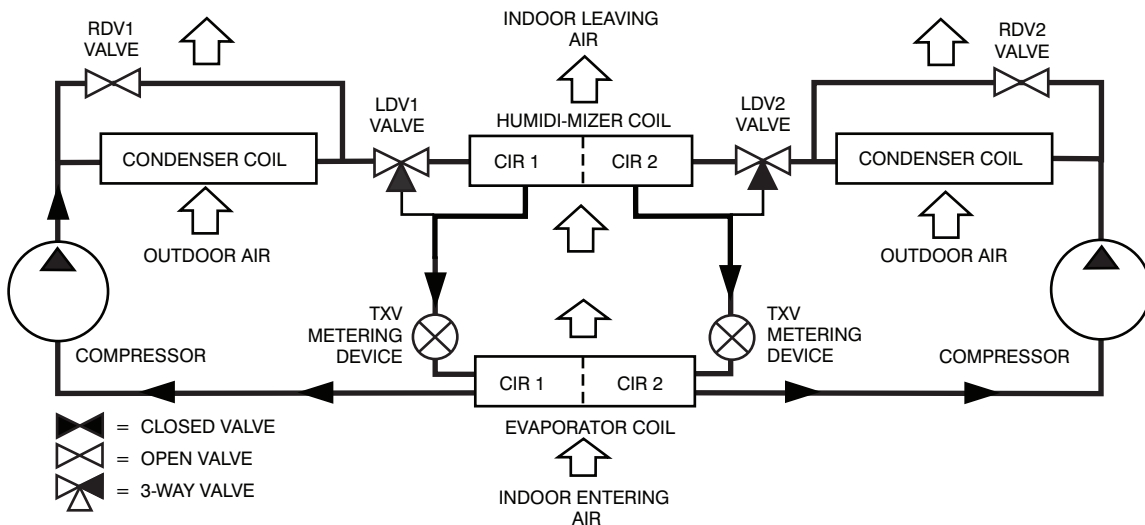
C13792

Normal Cooling Mode - Humidi-MiZer System



C13809

Subcooling Mode (Reheat 1) - Humidi-MiZer System



C13793

Hot Gas Reheat Mode (Reheat 2) - Humidi-MiZer System

GUIDE SPECIFICATIONS - 50TC-D17-30

Note about this specification:

These specifications are written in “Masterformat” as published by the Construction Specification Institute. Please feel free to copy this specification directly into your building spec.

Cooling Only/Electric Heat Packaged Rooftop HVAC Guide Specifications



Size Range: 15 to 27.5 Nominal Tons

<u>Section</u>	<u>Description</u>
----------------	--------------------

23 06 80	Schedules for Decentralized HVAC Equipment
-----------------	---

- | | |
|----------------|---|
| 23 06 80.13 | Decentralized Unitary HVAC Equipment Schedule |
| 23 06 80.13.A. | Rooftop unit schedule |
| 1. | Schedule is per the project specification requirements. |

23 07 16	HVAC Equipment Insulation
-----------------	----------------------------------

- | | |
|----------------|---|
| 23 07 16.13 | Decentralized, Rooftop Units: |
| 23 07 16.13.A. | Evaporator fan compartment: |
| 1. | Interior cabinet surfaces shall be insulated with a minimum 1/2-in. thick, minimum 1 1/2 lb density, flexible fiberglass insulation bonded with a phenolic binder, neoprene coated on the air side. |
| 2. | Insulation and adhesive shall meet NFPA 90A requirements for flame spread and smoke generation. |
| 23 07 16.13.B. | Electric heat compartment: |
| 1. | Aluminum foil-faced fiberglass insulation shall be used. |
| 2. | Insulation and adhesive shall meet NFPA 90A requirements for flame spread and smoke generation. |

23 09 13	Instrumentation and Control Devices for HVAC
-----------------	---

- | | |
|----------------|---|
| 23 09 13.23 | Sensors and Transmitters |
| 23 09 13.23.A. | Thermostats |
| 1. | Thermostat must |
| a. | energize both “W” and “G” when calling for heat. |
| b. | have capability to energize 2 different stages of cooling, and 2 different stages of heating. |
| c. | include capability for occupancy scheduling. |

23 09 23	Direct-digital Control system for HVAC
-----------------	---

- | | |
|----------------|---|
| 23 09 23.13 | Decentralized, Rooftop Units: |
| 23 09 23.13.A. | PremierLink controller |
| 1. | Shall be ASHRAE 62-2001 compliant. |
| 2. | Shall accept 18-32VAC input power. |
| 3. | Shall have an operating temperature range from -40°F (-40°C) to 158°F (70°C), 10% - 95% RH (non-condensing). |
| 4. | Shall include an integrated economizer controller to support an economizer with 4 to 20 mA actuator input and no microprocessor controller. |
| 5. | Controller shall accept the following inputs: space temperature, setpoint adjustment, outdoor air temperature, indoor air quality, outdoor air quality, indoor relative humidity, compressor lock-out, fire shutdown, enthalpy, fan status, remote time clock/door switch. |
| 6. | Shall accept a CO ₂ sensor in the conditioned space, and be Demand Control Ventilation (DCV) ready. |
| 7. | Shall provide the following outputs: Economizer, fan, cooling stage 1, cooling stage 2, heat stage 1, heat stage 2, heat stage 3/ exhaust/ reversing valve/ dehumidify/ occupied. |
| 8. | Unit shall provide surge protection for the controller through a circuit breaker. |
| 9. | Shall be Internet capable, and communicate at a Baud rate of 38.4K or faster |
| 10. | Shall have an LED display independently showing the status of activity on the communication bus, and processor operation. |
| 11. | Shall include an EIA-485 protocol communication port, an access port for connection of either a computer or a Carrier technician tool, an EIA-485 port for network communication to intelligent space sensors and displays, and a port to connect an optional LonWorks plug-in communications card. |

12. Shall have built-in Carrier Comfort Network (CCN) protocol, and be compatible with other CCN devices, including ComfortVIEW controllers.
13. Shall have built-in support for Carrier technician tool.
14. Software upgrades will be accomplished by local download. Software upgrades through chip replacements are not allowed.
15. Shall be shock resistant in all planes to 5G peak, 11ms during operation, and 100G peak, 11ms during storage.
16. Shall be vibration resistant in all planes to 1.5G @ 20-300 Hz.
17. Shall support a bus length of 4000 ft max, 60 devices per 1000 ft section, and 1 RS-485 repeater per 1000ft sections.

23 09 23.13.B. RTU-Open protocol, direct digital controller:

1. Shall be ASHRAE 62-2001 compliant.
2. Shall accept 18-30VAC, 50-60Hz, and consumer 15VA or less power.
3. Shall have an operating temperature range from -40°F (-40°C) to 130°F (54°C), 10% - 90% RH (non-condensing).
4. Shall include built-in protocol for BACNET (MS/TP and PTP modes), Modbus (RTU and ASCII), Johnson N2 and LonWorks. LonWorks Echelon processor required for all Lon applications shall be contained in separate communication board.
5. Shall allow access of up to 62 network variables (SNVT). Shall be compatible with all open controllers
6. Baud rate Controller shall be selectable using a dipswitch.
7. Shall have an LED display independently showing the status of serial communication, running, errors, power, all digital outputs, and all analog inputs.
8. Shall accept the following inputs: space temperature, setpoint adjustment, outdoor air temperature, indoor air quality, outdoor air quality, compressor lock-out, fire shutdown, enthalpy switch, and fan status/filter status/humidity/ remote occupancy.
9. Shall provide the following outputs: economizer, fan, cooling stage 1, cooling stage 2, heat stage 1, heat stage 2, heat stage 3/ exhaust/ reversing valve.
10. Shall have built-in surge protection circuitry through solid state polyswitches. Polyswitches shall be used on incoming power and network connections. Polyswitches will return to normal when the "trip" condition clears.
11. Shall have a battery back-up capable of a minimum of 10,000 hours of data and time clock retention during power outages.
12. Shall have built-in support for Carrier technician tool.
13. Shall include an EIA-485 protocol communication port, an access port for connection of either a computer or a Carrier technician tool, an EIA-485 port for network communication to intelligent space sensors and displays, and a port to connect an optional LonWorks communications card.
14. Software upgrades will be accomplished by either local or remote download. No software upgrades through chip replacements are allowed.

23 09 33 Electric and Electronic Control System for HVAC

23 09 33.13 Decentralized, Rooftop Units:

23 09 33.13.A. General:

1. Shall be complete with self-contained low-voltage control circuit protected by a resettable circuit breaker on the 24-v transformer side. Transformer shall have 75VA capability.
2. Shall utilize color-coded wiring.
3. Shall include a central control terminal board to conveniently and safely provide connection points for vital control functions such as: smoke detectors, phase monitor, economizer, thermostat, DDC control options, and low and high pressure switches.
4. Unit shall include a minimum of one 8-pin screw terminal connection board for connection of control wiring.

23 09 33.23.B. Safeties:

1. Compressor over-temperature, over current.
2. Low-pressure switch.
 - a. Units shall have different sized connectors for the circuit 1 and circuit 2 low and high pressure switches. They shall physically prevent the cross-wiring of the safety switches between circuits 1 and 2.
 - b. Low pressure switch shall use different color wire than the high pressure switch. The purpose is to assist the installer and service technician to correctly wire and or troubleshoot the rooftop unit.
3. High-pressure switch.
 - a. Units compressors shall have different sized connectors for the circuit 1 and circuit 2 low and high pressure switches. They shall physically prevent the cross-wiring of the safety switches between circuits 1 and 2.

- b. High pressure switch shall use different color wire than the low pressure switch. The purpose is to assist the installer and service technician to correctly wire and or troubleshoot the rooftop unit.
- 4. Automatic reset, motor thermal overload protector.

23 09 93 Sequence of Operations for HVAC Controls

23 09 93.13 Decentralized, Rooftop Units:

23 09 93.13 INSERT SEQUENCE OF OPERATION

23 40 13 Panel Air Filters

23 40 13.13 Decentralized, Rooftop Units:

23 40 13.13.A. Standard filter section

1. Shall consist of factory-installed, low velocity, throwaway 2-in. thick fiberglass filters of commercially available sizes.
2. Unit shall use only one filter size. Multiple sizes are not acceptable.
3. Filters shall be accessible through a dedicated, weather tight panel.
4. 4-in filter capabilities shall be capable with pre-engineered and approved Carrier filter track field installed accessory. This kit requires field furnished filters.

23 81 19 Self-Contained Air Conditioners

23 81 19.13 Medium-Capacity Self-Contained Air Conditioners

23 81 19.13.A. General

1. Outdoor, rooftop mounted, electrically controlled, heating and cooling unit utilizing hermetic scroll compressor(s) for cooling duty and with optional electrical heating accessories for heating duty.
2. Factory assembled, single-piece heating and cooling rooftop unit. Contained within the unit enclosure shall be all factory wiring, piping, controls, and special features required prior to field start-up.
3. Unit shall use environmentally safe, Puron refrigerant.
4. Unit shall be installed in accordance with the manufacturer's instructions.
5. Unit must be selected and installed in compliance with local, state, and federal codes.

23 81 19.13.B. Quality Assurance

1. Unit meets ASHRAE 90.1 minimum efficiency requirements.
2. Unit shall be rated in accordance with AHRI Standard 340/360.
3. Unit shall be designed to conform to ASHRAE 15.
4. Unit shall be ETL-tested and certified in accordance with ANSI Z21.47 Standards and ETL-listed and certified under Canadian standards as a total package for safety requirements.
5. Insulation and adhesive shall meet NFPA 90A requirements for flame spread and smoke generation.
6. Unit casing shall be capable of withstanding 500-hour salt spray exposure per ASTM B117 (scribed specimen).
7. Unit casing shall be capable of withstanding Federal Test Method Standard No. 141 (Method 6061) 5000-hour salt spray.
8. Unit shall be designed and manufactured in accordance with ISO 9001.
9. Roof curb shall be designed to conform to NRCA Standards.
10. Unit shall be subjected to a completely automated run test on the assembly line. The data for each unit will be stored at the factory, and must be available upon request.
11. Unit shall be designed in accordance with UL Standard 1995, including tested to withstand rain.
12. Unit shall be constructed to prevent intrusion of snow and tested to prevent snow intrusion into the control box up to 40 mph.
13. Unit shake tested to assurance level 1, ASTM D4169 to ensure shipping reliability.
14. High Efficient Motors listed shall meet section 313 of the Energy Independence and Security Act of 2007 (EISA 2007).

23 81 19.13.C. Delivery, Storage, and Handling

1. Unit shall be stored and handled per manufacturer's recommendations.
2. Lifted by crane requires either shipping top panel or spreader bars.
3. Unit shall only be stored or positioned in the upright position.

23 81 19.13.D. Project Conditions

1. As specified in the contract.

23 81 19.13.E. Operating Characteristics

1. Unit shall be capable of starting and running at 115°F (46°C) ambient outdoor temperature, meeting maximum load criteria of AHRI Standard 340/360 at ± 10% voltage.
2. Compressor with standard controls shall be capable of operation from 30°F (-1°C) , ambient outdoor temperatures. Accessory kits are necessary if mechanically cooling at ambient temperatures below 30°F (-1°C).
3. Unit shall discharge supply air vertically as shown on contract drawings.
4. Unit shall be factory furnished for vertical configuration. No field conversion is required.

23 81 19.13.F. Electrical Requirements

1. Main power supply voltage, phase, and frequency must match those required by the manufacturer.

23 81 19.13.G. Unit Cabinet

1. Unit cabinet shall be constructed of galvanized steel, and shall be bonderized and coated with a pre-painted baked enamel finish on all externally exposed surfaces.
2. Unit cabinet exterior paint shall be: film thickness, (dry) 0.003 inches minimum, gloss (per ASTM D523, 60°F / 16°C): 60, Hardness: H-2H Pencil hardness.
3. Evaporator fan compartment interior cabinet insulation shall conform to AHRI Standards 340/360 minimum exterior sweat criteria. Interior surfaces shall be insulated with a minimum 1/2-in. thick, 1 lb density, flexible fiberglass insulation, neoprene coated on the air side. Aluminum foil-faced fiberglass insulation shall be used in the heat compartment.
4. Base of unit shall have a minimum of four locations for factory thru-the-base electrical connections. Connections shall be internal to the cabinet to protect from environmental issues.
5. Base Rail
 - a. Unit shall have base rails on a minimum of 2 sides.
 - b. Holes shall be provided in the base rails for rigging shackles to facilitate maneuvering and overhead rigging.
 - c. Holes shall be provided in the base rail for moving the rooftop by fork truck.
 - d. Base rail shall be a minimum of 16 gauge thickness.
6. Condensate pan and connections:
 - a. Shall be a sloped condensate drain pan made of a non-corrosive material.
 - b. Shall comply with ASHRAE Standard 62.
 - c. Shall use a 3/4-in -14 NPT drain connection at the end of the drain pan. Connection shall be made per manufacturer's recommendations.
7. Top panel:
 - a. Shall be a multi-piece top panel linked with water tight flanges and interlocking systems.
8. Electrical Connections
 - a. All unit power wiring shall enter unit cabinet at a single, factory-prepared, knockout location.
 - b. Thru-the-base capability
 - (1.) Thru-the base provisions/connections are available as standard with every unit. When bottom connections are required, field furnished couplings are required
 - (2.) No basepan penetration, other than those authorized by the manufacturer, is permitted.
9. Component access panels (standard)
 - a. Cabinet panels shall be easily removable for servicing.
 - b. Unit shall have one factory installed, removable, filter access panel.
 - c. Panels covering control box and filters shall have molded composite handles while the blower access door shall have an integrated flange for easy removal.
 - d. Handles shall be UV modified, composite. They shall be permanently attached, and recessed into the panel.
 - e. Screws on the vertical portion of all removable access panel shall engage into heat resistant, molded composite collars.
 - f. Collars shall be removable and easily replaceable using manufacturer recommended parts.

23 81 19.13.H. N/A

23 81 19.13.I. Coils

1. Standard Aluminum fin - Copper Tube Coils:
 - a. Standard evaporator and condenser coils shall have aluminum lanced plate fins mechanically bonded to seamless internally grooved copper tubes with all joints brazed.

- b. Evaporator coils shall be leak tested to 150 psig, pressure tested to 450 psig, and qualified to UL 1995 burst test at 1775 psig.
 - c. Condenser coils shall be leak tested to 150 psig, pressure tested to 650 psig, and qualified to UL 1995 burst test at 1980 psig.
2. Optional Pre-coated aluminum-fin condenser coils:
 - a. Shall have a durable epoxy-phenolic coating to provide protection in mildly corrosive coastal environments.
 - b. Coating shall be applied to the aluminum fin stock prior to the fin stamping process to create an inert barrier between the aluminum fin and copper tube.
 - c. Epoxy-phenolic barrier shall minimize galvanic action between dissimilar metals.
 3. Optional Copper-fin evaporator and condenser coils:
 - a. Shall be constructed of copper fins mechanically bonded to copper tubes and copper tube sheets.
 - b. Galvanized steel tube sheets shall not be acceptable.
 - c. A polymer strip shall prevent coil assembly from contacting the sheet metal coil pan to minimize potential for galvanic corrosion between coil and pan.
 4. Optional E-coated aluminum-fin evaporator and condenser coils:
 - a. Shall have a flexible epoxy polymer coating uniformly applied to all coil surface areas without material bridging between fins.
 - b. Coating process shall ensure complete coil encapsulation of tubes, fins and headers.
 - c. Color shall be high gloss black with gloss per ASTM D523-89.
 - d. Uniform dry film thickness from 0.8 to 1.2 mil on all surface areas including fin edges.
 - e. Superior hardness characteristics of 2H per ASTM D3363-92A and cross-hatch adhesion of 4B-5B per ASTM D3359-93.
 - f. Impact resistance shall be up to 160 in.-lb (ASTM D2794-93).
 - g. Humidity and water immersion resistance shall be up to minimum 1000 and 250 hours respectively (ASTM D2247-92 and ASTM D870-92).
 - h. Corrosion durability shall be confirmed through testing to be no less than 1000 hours salt spray per ASTM B117-90.
 5. Standard All Aluminum Novation Coils:
 - a. Standard condenser coils shall have all aluminum Novation Heat Exchanger Technology design consisting of aluminum multi port flat tube design and aluminum fin. Coils shall be a furnace brazed design and contain epoxy lined shrink wrap on all aluminum to copper connections.
 - b. Condenser coils shall be leak tested to 150 psig, pressure tested to 650 psig, and qualified to UL 1995 burst test at 1980 psig.
 6. Optional E-coated aluminum-fin, aluminum tube condenser coils:
 - a. Shall have a flexible epoxy polymer coating uniformly applied to all coil external surface areas without material bridging between fins.
 - b. Coating process shall ensure complete coil encapsulation, including all exposed fin edges.
 - c. E-coat thickness of 0.8 to 1.2 mil with top coat having a uniform dry film thickness from 1.0 to 2.0 mil on all external coil surface areas, including fin edges, shall be provided.
 - d. Shall have superior hardness characteristics of 2H per ASTM D3363-00 and cross-hatch adhesion of 4B-5B per ASTM D3359-02.
 - e. Shall have superior impact resistance with no cracking, chipping or peeling per NSF/ANSI 51-2002 Method 10.2.

23 81 19.13.J. Refrigerant Components

1. Refrigerant circuit shall include the following control, safety, and maintenance features:
 - a. Fixed orifice metering system (on non-Humidifier units) shall prevent mal-distribution of two-phase refrigerant by including multiple fixed orifice devices in each refrigeration circuit. Each orifice is to be optimized to the coil circuit it serves.
 - b. Thermostatic Expansion Valve (TXV) shall help provide optimum performance across the entire operating range. Shall contain removable power element to allow change-out of power element and bulb without removing the valve body (for Humidifier-Mixer units only).
 - c. Refrigerant filter drier - Solid core design.
 - d. Service gauge connections on suction and discharge lines.
 - e. Pressure gauge access through a specially designed screen on the side of the unit.

2. Compressors
 - a. Unit shall use one fully hermetic, scroll compressor for each independent refrigeration circuit.
 - b. Models shall be available with 2 compressor/2-stage cooling.
 - c. Compressor motors shall be cooled by refrigerant gas passing through motor windings.
 - d. Compressors shall be internally protected from high discharge temperature conditions.
 - e. Compressors shall be protected from an over-temperature and over-amperage conditions by an internal, motor overload device.
 - f. Compressor shall be factory mounted on rubber grommets.
 - g. Compressor motors shall have internal line break thermal, current overload and high pressure differential protection.
 - h. Crankcase heaters shall not be required for normal operating range, unless provided by the factory.

23 81 19.13.K. Filter Section

1. Filters access is specified in the unit cabinet section of this specification.
2. Filters shall be held in place by a preformed slide out filter tray, facilitating easy removal and installation.
3. Shall consist of factory-installed, low velocity, throw-away 2-in. thick fiberglass filters.
4. Filters shall be standard, commercially available sizes.
5. Only one size filter per unit is allowed.
6. 4-in filter capability is possible with a field installed pre-engineered slide out filter track accessory. 4-in filters are field furnished.

23 81 19.13.L. Evaporator Fan and Motor

1. Evaporator fan motor:
 - a. Shall have inherent automatic-reset thermal overload protection or circuit breaker.
 - b. Shall have a maximum continuous bhp rating for continuous duty operation; no safety factors above that rating shall be required.
2. Belt-driven Evaporator Fan:
 - a. Belt drive shall include an adjustable-pitch motor pulley and belt break protection system..
 - b. Shall use rigid pillow block bearing system with lubricate fittings at are accessible or lubrication line.
 - c. Blower fan shall be double-inlet type with forward-curved blades.
 - d. Shall be constructed from steel with a corrosion resistant finish and dynamically balanced.

23 81 19.13.M. Condenser Fans and Motors

1. Condenser fan motors:
 - a. Shall be a totally enclosed motor.
 - b. Shall use permanently lubricated bearings.
 - c. Shall have inherent thermal overload protection with an automatic reset feature.
 - d. Shall use a shaft-down design.
2. Condenser Fans:
 - a. Shall be a direct-driven propeller type fan.
 - b. Shall have galvalum blades riveted to corrosion-resistant steel spiders and shall be dynamically balanced.

23 81 19.13.N. Special Features, Options and Accessories

1. Staged Air Volume System (SAV) for 2-stage cooling models only
 - a. Evaporator fan motor:
 - (1.) Shall have permanently lubricated bearings.
 - (2.) Shall have a maximum continuous bhp rating for continuous duty operation; no safety factors above that rating.
 - (3.) Shall be Variable Frequency duty and 2-speed control.
 - (4.) Shall contain motor shaft grounding ring to prevent electrical bearing fluting damage by safely diverting harmful shaft voltages and bearing currents to ground.
2. Variable Frequency Drive (VFD). Only available on 2-speed indoor fan motor option (SAV):
 - a. Shall be installed inside the unit cabinet, mounted, wired and tested.
 - b. Shall contain Electromagnetic Interference (EMI) frequency protection.
 - c. Insulated Gate Bi-Polar Transistors (IGBT) used to produce the output pulse width modulated (PWM) waveform, allowing for quiet motor operation.
 - d. Self diagnostics with fault and power code LED indicator. Field accessory Display Kit available for further diagnostics and special setup applications.

- e. RS485 capability standard.
 - f. Electronic thermal overload protection.
 - g. 5% swinging chokes for harmonic reduction and improved power factor.
 - h. All printed circuit boards shall be conformal coated.
3. Standard Integrated Economizers:
- a. Integrated, gear-driven opposing blade design type capable of simultaneous economizer and compressor operation.
 - b. Independent modules for vertical airflow configurations shall be available. Vertical return modules shall be available as a factory installed option or field installed accessory.
 - c. Damper blades shall be galvanized steel with composite gears. Plastic or composite blades on intake or return shall not be acceptable.
 - d. Shall include all hardware and controls to provide free cooling with outdoor air when temperature and/or humidity are below setpoints.
 - e. Shall be equipped with gear driven dampers for both the outdoor ventilation air and the return air for positive air stream control.
 - f. Standard models shall be equipped with low-leakage dampers, not to exceed 2% leakage at 1 in. wg pressure differential. Economizer controller on electromechanical units shall be Honeywell W7212 that provides:
 - (1.) Combined minimum and DCV maximum damper position potentiometers with compressor staging relay.
 - (2.) Functions with solid state analog enthalpy or dry bulb changeover control sensing.
 - (3.) Contain LED indicates for:
 - When free cooling is available
 - When module is in DCV mode
 - When exhaust fan contact is closed
 - g. Ultra low leak EconoMi\$er X system shall be available on models with SAV 2-speed Variable Frequency Drive (VFD) systems. Only available on 2-speed indoor fan motor systems with electromechanical controls or RTU Open.
 - (1.) Maximum damper leakage rate to be equal to or less than 4.0 cfm/sq. ft. at 1.0 in. w.g., meeting or exceeding ASHRAE 90.1 requirements. Economizer controller on electromechanical units shall be Honeywell W7220 that provides:
 - (2.) 2-line LCD interface screen for setup, configuration and troubleshooting.
 - (3.) On-board fault detection and diagnostics
 - (4.) Sensor failure loss of communication identification
 - (5.) Automatic sensor detection
 - (6.) Capabilities for use with multiple-speed indoor fan systems
 - (7.) Utilize digital sensors: Dry bulb and Enthalpy
 - h. Shall be capable of introducing up to 100% outdoor air.
 - i. Shall be equipped with a barometric relief damper capable of relieving up to 100% return air.
 - j. Shall be designed to close damper(s) during loss-of-power situations with spring return built into motor.
 - k. Dry bulb outdoor air temperature sensor shall be provided as standard. Outdoor air sensor setpoint shall be adjustable and shall range from 40 to 100°F / 4 to 38°C. Additional sensor options shall be available as accessories.
 - l. The economizer controller shall also provide control of an accessory power exhaust unit function. Factory set at 100%, with a range of 0% to 100%.
 - m. The economizer shall maintain minimum airflow into the building during occupied period and provide design ventilation rate for full occupancy. A remote potentiometer may be used to override the damper setpoint.
 - n. Dampers shall be completely closed when the unit is in the unoccupied mode.
 - o. Economizer controller shall accept a 2-10 Vdc CO₂ sensor input for IAQ/DCV control. In this mode, dampers shall modulate the outdoor air damper to provide ventilation based on the sensor input.
 - p. Compressor lockout sensor shall open at 35°F (2°C) and close closes at 50°F (10°C).
 - q. Actuator shall be direct coupled to economizer gear. No linkage arms or control rods shall be acceptable.
 - r. Economizer controller shall provide indications when in free cooling mode, in the DCV mode, or the exhaust fan contact is closed.

4. Two-Position Motorized Damper :
 - a. Damper shall be a Two-Position Damper. Damper travel shall be from the full closed position to the field adjustable %-open setpoint.
 - b. Damper shall include adjustable damper travel from 25% to 100% (full open).
 - c. Damper shall include single or dual blade, gear driven dampers and actuator motor.
 - d. Actuator shall be direct coupled to damper gear. No linkage arms or control rods shall be acceptable.
 - e. Damper will admit up to 100% outdoor air for applicable rooftop units.
 - f. Damper shall close upon indoor (evaporator) fan shutoff and/or loss of power.
 - g. The damper actuator shall plug into the rooftop unit's wiring harness plug. No hard wiring shall be required.
 - h. Outside air hood shall include aluminum water entrainment filter
5. Manual damper
 - a. Manual damper package shall consist of damper, air inlet screen, and rain hood which can be preset to admit up to 25% outdoor air for year round ventilation.
6. Humidi-MiZer Adaptive Dehumidification System (not available on 30 size models)
 - a. The Humidi-MiZer Adaptive Dehumidification System shall be factory-installed in 50TC17-28 models with RTPF (round tube plate fin) condenser coils, and shall provide greater dehumidification of the occupied space by two modes of dehumidification operations beside its normal design cooling mode:
 - (1.) Subcooling mode further subcools the hot liquid refrigerant leaving the condenser coil when both temperature and humidity in the space are not satisfied.
 - (2.) Hot gas reheat mode shall mix a portion of the hot gas from the discharge of the compressor with the hot liquid refrigerant leaving the condenser coil to create a two-phase heat transfer in the system, resulting in a neutral leaving- air temperature when only humidity in the space is not satisfied.
 - (3.) Includes Head Pressure Controller.
7. Head Pressure Control Package (MotorMaster)
 - a. Controller shall control coil head pressure by condenser-fan speed modulation or condenser-fan cycling and wind baffles.
 - b. Shall consist of solid-state control and condenser-coil temperature sensor to maintain condensing temperature between 90°F (32°C) and 110°F (43°C) at outdoor ambient temperatures down to -20°F (-29°C).
8. Condenser Coil Hail Guard Assembly
 - a. Shall protect against damage from hail.
 - b. Shall be louvered style design.
9. Unit-Mounted, Non-Fused Disconnect Switch:
 - a. Switch shall be factory-installed, internally mounted.
 - b. National Electric Code (NEC) and ETL approved non-fused switch shall provide unit power shutoff.
 - c. Shall be accessible from outside the unit
 - d. Shall provide local shutdown and lockout capability.
10. Convenience Outlet:
 - a. Powered convenience outlet.
 - (1.) Outlet shall be powered from main line power to the rooftop unit.
 - (2.) Outlet shall be powered from line side of disconnect by installing contractor, as required by code. If outlet is powered from load side of disconnect, unit electrical ratings shall be ETL certified and rated for additional outlet amperage.
 - (3.) Outlet shall be factory-installed and internally mounted with easily accessible 115-v female receptacle.
 - (4.) Outlet shall include 15 amp GFI receptacles with independent fuse protection.
 - (5.) Voltage required to operate convenience outlet shall be provided by a factory-installed step-down transformer.
 - (6.) Outlet shall be accessible from outside the unit.
 - (7.) Outlet shall include a field-installed "Wet in Use" cover.
 - b. Non-Powered convenience outlet.
 - (1.) Outlet shall be powered from a separate 115/120v power source.
 - (2.) A transformer shall not be included.

- (3.) Outlet shall be factory-installed and internally mounted with easily accessible 115-v female receptacle.
 - (4.) Outlet shall include 15 amp GFI receptacles with independent fuse protection.
 - (5.) Outlet shall be accessible from outside the unit.
 - (6.) Outlet shall include a field-installed "Wet in Use" cover.
11. Fan/Filter Status Switch:
 - a. Switch shall provide status of indoor evaporator fan (ON/OFF) or filter (CLEAN/DIRTY).
 - b. Status shall be displayed either over communication bus (when used with direct digital controls) or with an indicator light at the thermostat.
 12. Centrifugal Power Exhaust:
 - a. Power exhaust shall be used in conjunction with an integrated economizer.
 - b. Power exhaust shall be controlled by economizer controller operation. Exhaust fans shall be energized when dampers open past the 0-100% adjustable setpoint on the economizer control.
 13. Roof Curbs (Vertical):
 - a. Full perimeter roof curb with exhaust capability providing separate air streams for energy recovery from the exhaust air without supply air contamination.
 - b. Formed galvanized steel with wood nailer strip and shall be capable of supporting entire unit weight.
 - c. Permits installation and securing of ductwork to curb prior to mounting unit on the curb.
 14. Adapter Curb (Vertical):
 - a. Full perimeter – fully assembled and welded roof curb with exhaust capability providing separate air streams for energy recovery from the exhaust air without supply air contamination.
 - b. Formed galvanized steel with wood nailer strip and shall be capable of supporting entire unit weight.
 - c. Permits installation of new 48TC17-28 models to past Carrier design curb models: DP, DR, HJ, TM, and TJ. (Not for 48TJE024-028 models.) Check with Carrier sales expert of further details and information.
 15. High-Static Indoor Fan Motor(s) and Drive(s):
 - a. High-static motor(s) and drive(s) shall be factory-installed to provide additional performance range.
 16. Outdoor Air Enthalpy Sensor:
 - a. The outdoor air enthalpy sensor shall be used to provide single enthalpy control. When used in conjunction with a return air enthalpy sensor, the unit will provide differential enthalpy control. The sensor allows the unit to determine if outside air is suitable for free cooling.
 17. Return Air Enthalpy Sensor:
 - a. The return air enthalpy sensor shall be used in conjunction with an outdoor air enthalpy sensor to provide differential enthalpy control.
 18. Indoor Air Quality (CO₂) Sensor:
 - a. Shall be able to provide demand ventilation indoor air quality (IAQ) control.
 - b. The IAQ sensor shall be available in duct mount, wall mount, or wall mount with LED display. The setpoint shall have adjustment capability.
 19. Smoke detectors:
 - a. Shall be a Four-Wire Controller and Detector.
 - b. Shall be environmental compensated with differential sensing for reliable, stable, and drift-free sensitivity.
 - c. Shall use magnet-activated test/reset sensor switches.
 - d. Shall have tool-less connection terminal access.
 - e. Shall have a recessed momentary switch for testing and resetting the detector.
 - f. Controller shall include:
 - (1.) One set of normally open alarm initiation contacts for connection to an initiating device circuit on a fire alarm control panel.
 - (2.) Two Form-C auxiliary alarm relays for interface with rooftop unit or other equipment.
 - (3.) One Form-C supervision (trouble) relay to control the operation of the Trouble LED on a remote test/reset station.
 - (4.) Capable of direct connection to two individual detector modules.
 - (5.) Can be wired to up to 14 other duct smoke detectors for multiple fan shutdown applications.
 20. Winter start kit
 - a. Shall contain a bypass device around the low pressure switch.
 - b. Shall be required when mechanical cooling is required down to 25°F (-4°C).
 - c. Shall not be required to operate on an economizer when below an outdoor ambient of 40°F (4°C).

21. Time Guard
 - a. Shall prevent compressor short cycling by providing a 5-minute delay (± 2 minutes) before restarting a compressor after shutdown for any reason.
 - b. One device shall be required per compressor.
22. Electric Heat:
 - a. Heating Section
 - (1.) Heater element open coil resistance wire, nickel-chrome alloy, 0.29 inches inside diameter, strung through ceramic insulators mounted on metal frame. Coil ends are staked and welded to terminal screw slots.
 - (2.) Heater assemblies are provided with integral fusing for protection of internal heater circuits not exceeding 48 amps each. Auto reset thermo limit controls, magnetic heater contactors (24 v coil) and terminal block all mounted in electric heater control box (minimum 18 ga galvanized steel) attached to end of heater assembly.
23. California OSHPD Seismic Certification Label (17-28 sizes only)
 - a. Units meet the seismic requirements of the International Code Council Evaluation Service (ICC-ES) document AC156 (Acceptance Criteria for Seismic Qualification by Shake-Table Testing of Nonstructural Components and Systems) and per International Building Code (IBC 2009) at an SDS (g) value of 2.00 $z/h=1.0$, $I_p=1.5$ and certified by independent structural engineers.
 - b. Units shall include a certification label that meets the CA OSHPD Special Seismic Certification pre-approval labeling requirements on the external chassis of the unit.
24. Display Kit for Variable Frequency Drive
 - a. Kit allows the ability to access the VFD controller programs to provide special setup capabilities and diagnostics.
 - b. Kit contains display module and communication cable.
 - c. Display Kit can be permanently installed in the unit or used on any SAV system VFD controller as needed.
25. Hinged Access Panels:
 - a. Shall provide easy access through hinged access doors with vinyl coated door retainers.
 - b. Shall be on major panels of – filter, control box and fan motor.
26. Energy Demand System - EDS (field installed accessory):
 - a. Shall utilize wireless network communication to optimize rooftop unit energy usage, up to 875 yds and up to 49 load controllers for each gateway. A wireless cellular signal shall be utilized to communicate energy information to/from the customer web portal.
 - b. Shall utilize explicit algorithms to minimize rooftop electrical demand charges, customizable to each facility.
 - c. Shall allow scheduling of rooftop units and provide a “staggered start” approach to minimize electrical consumption charges, customized to each facility.
 - d. Scheduling, adjustments, and sub-metered electrical data shall be accessible through a web based customer portal.
 - e. Shall provide demand response capability, including compliance with Open ADR protocol.
 - f. Shall utilize an external 4-pole relay and an internal single pole relay.
 - g. Shall use (2) split core transformers to provide real-time sub-metered electrical usage.