

## 24ABB3C

Comfort™ 13 Air Conditioner for Coastal Applications  
with Puron® Refrigerant



# Product Data



Carrier's Air Conditioners with Puron® refrigerant provide a collection of features unmatched by any other family of equipment. The 24ABB has been designed utilizing Carrier's Puron refrigerant. The environmentally sound refrigerant allows you to make a responsible decision in the protection of the earth's ozone layer.

This product has been designed and manufactured to meet Energy Star® criteria for energy efficiency when matched with appropriate coil components. Refer to the combination ratings in the Product Data for system combinations that meet Energy Star® guidelines.

**NOTE: Ratings contained in this document are subject to change at any time. Always refer to the AHRI directory ([www.ahridirectory.org](http://www.ahridirectory.org)) for the most up-to-date ratings information.**

## INDUSTRY LEADING FEATURES / BENEFITS

### Efficiency

- 13.0 - 15.0 SEER/10.5 - 12.2 EER
- Microtube Technology™ refrigeration system
- Indoor air quality accessories available

### Sound

- Sound level as low as 75 dBA

### Comfort

- System supports Thermidistat™ or standard thermostat controls

### Reliability

- Puron® refrigerant - environmentally sound, won't deplete the ozone layer and low lifetime service cost.
- Front-seating service valves
- Scroll compressor
- Internal pressure relief valve
- Internal thermal overload
- Filter drier
- Balanced refrigeration system for maximum reliability

### Durability

WeatherArmor™ protection package:

- Solid, durable sheet metal construction
- Dense wire coil guard
- Baked-on powder paint on all sides

ArmorPlate Condenser Coil

- Aluminum fin material is pre-coated on both sides with a corrosion protective epoxy phenolic coating.

### Applications

- Long-line - up to 250 feet (76.20 m) total equivalent length, up to 200 feet (60.96 m) condenser above evaporator, or up to 80 ft. (24.38 m) evaporator above condenser (See Longline Guide for more information.)
- Low ambient (down to -20°F/-28.9°C) with accessory kit

## MODEL NUMBER NOMENCLATURE

1	2	3	4	5	6	7	8	9	10	11	12	13
N	N	A	A	A/N	N	N	N	A/N	A/N	A/N	N	N
<b>2</b>	<b>4</b>	<b>A</b>	<b>B</b>	<b>B</b>	<b>3</b>	<b>3</b>	<b>6</b>	<b>C</b>	<b>0</b>	<b>0</b>	<b>3</b>	<b>0</b>
Product Series	Product Family	Tier	Major Series	SEER	Cooling Capacity	Variations	Open	Open	Open	Voltage	Series	
24=AC	A=RES AC	B=Comfort	B=Puron	3=13 SEER		C=Coastal	0=Not Defined	0=Not Defined	3=208/230-1	0 = Original Series		



Use of the AHRI Certified TM Mark indicates a manufacturer's participation in the program. For verification of certification for individual products, go to [www.ahridirectory.org](http://www.ahridirectory.org).



ISO 9001  
QMI-SAI Global



This product has been designed and manufactured to meet Energy Star® criteria for energy efficiency when matched with appropriate coil components. However, proper refrigerant charge and proper air flow are critical to achieve rated capacity and efficiency. Installation of this product should follow all manufacturing refrigerant charging and air flow instructions. **Failure to confirm proper charge and air flow may reduce energy efficiency and shorten equipment life.**



## STANDARD FEATURES

Feature	18	24	30	36	42	48	60
Puron Refrigerant	X	X	X	X	X	X	X
Maximum SEER Rating	15	15	15	15	14.5	14.5	13.5
Scroll Compressor	X	X	X	X	X	X	X
Dense Wire Coil Guard	X	X	X	X	X	X	X
Field Installed Filter Drier	X	X	X	X	X	X	X
Front Seating Service Valves	X	X	X	X	X	X	X
Internal Pressure Relief Valve	X	X	X	X	X	X	X
Internal Thermal Overload	X	X	X	X	X	X	X
Long Line capability	X	X	X	X	X	X	X
Low Ambient capability with Kit	X	X	X	X	X	X	X

X = Standard

24ABB3C

# REFRIGERANT PIPING LENGTH LIMITATIONS

## Liquid Line Sizing and Maximum Total Equivalent Lengths† for Cooling Only Systems with Puron® Refrigerant:

The maximum allowable length of a residential split system depends on the liquid line diameter and vertical separation between indoor and outdoor units.

See Table below for liquid line sizing and maximum lengths :

### Maximum Total Equivalent Length Outdoor Unit BELOW Indoor Unit

Size	Liquid Line Connection	Liquid Line Diam. w/ TXV	AC with Puron Refrigerant Maximum Total Equivalent Length†: Outdoor unit BELOW Indoor Vertical Separation ft (m)								
			0-5 (0-1.5)	6-10 (1.8-3.0)	11-20 (3.4-6.1)	21-30 (6.4-9.1)	31-40 (9.4-12.2)	41-50 (12.5-15.2)	51-60 (15.5-18.3)	61-70 (18.6-21.3)	71-80 (21.6-24.4)
018 AC with Puron	3/8	1/4	150	150	125	100	100	75	--	--	--
		5/16	250*	250*	250*	250*	250*	250*	250*	225*	150
		3/8	250*	250*	250*	250*	250*	250*	250*	250*	250*
024 AC with Puron	3/8	1/4	75	75	75	50	50	--	--	--	--
		5/16	250*	250*	250*	250*	250*	225*	175	125	100
		3/8	250*	250*	250*	250*	250*	250*	250*	250*	250*
030 AC with Puron	3/8	1/4	30	--	--	--	--	--	--	--	--
		5/16	175	225*	200	175	125	100	75	--	--
		3/8	250*	250*	250*	250*	250*	250*	250*	250*	250*
036 AC with Puron	3/8	5/16	175	150	150	100	100	100	75	--	--
		3/8	250*	250*	250*	250*	250*	250*	250*	250*	250*
042 AC with Puron	3/8	5/16	125	100	100	75	75	50	--	--	--
		3/8	250*	250*	250*	250*	250*	250*	250*	250*	150
048 AC with Puron	3/8	3/8	250*	250*	250*	250*	250*	250*	230	160	--
060 AC with Puron	3/8	3/8	250*	250*	250*	225*	190	150	110	--	--

\* Maximum actual length not to exceed 200 ft (61 m)

† Total equivalent length accounts for losses due to elbows or fitting. See the Long Line Guideline for details.

-- = outside acceptable range

24AB3C

### Maximum Total Equivalent Length Outdoor Unit ABOVE Indoor Unit

Size	Liquid Line Connection	Liquid Line Diam. w/ TXV	AC with Puron Refrigerant Maximum Total Equivalent Length†: Outdoor unit ABOVE Indoor Vertical Separation ft (m)							
			25 (7.6)	26-50 (7.9-15.2)	51-75 (15.5-22.9)	76-100 (23.2-30.5)	101-125 (30.8-38.1)	126-150 (38.4-45.7)	151-175 (46.0-53.3)	176-200 (53.6-61.0)
018 AC with Puron	3/8	1/4	175	250*	250*	250*	250*	250*	250*	250*
		5/16	250*	250*	250*	250*	250*	250*	250*	250*
		3/8	250*	250*	250*	250*	250*	250*	250*	250*
024 AC with Puron	3/8	1/4	100	125	175	200	225*	250*	250*	250*
		5/16	250*	250*	250*	250*	250*	250*	250*	250*
		3/8	250*	250*	250*	250*	250*	250*	250*	250*
030 AC with Puron	3/8	1/4	30	--	--	--	--	--	--	--
		5/16	250*	250*	250*	250*	250*	250*	250*	250*
		3/8	250*	250*	250*	250*	250*	250*	250*	250*
036 AC with Puron	3/8	5/16	225*	250*	250*	250*	250*	250*	250*	250*
		3/8	250*	250*	250*	250*	250*	250*	250*	250*
042 AC with Puron	3/8	5/16	175	200	250*	250*	250*	250*	250*	250*
		3/8	250*	250*	250*	250*	250*	250*	250*	250*
048 AC with Puron	3/8	3/8	250*	250*	250*	250*	250*	250*	250*	250*
060 AC with Puron	3/8	3/8	250*	250*	250*	250*	250*	250*	250*	250*

\* Maximum actual length not to exceed 200 ft (61 m)

† Total equivalent length accounts for losses due to elbows or fitting. See the Long Line Guideline for details.

-- = outside acceptable range

## REFRIGERANT CHARGE ADJUSTMENTS

Liquid Line Size	Puron Charge oz/ft (g/m)
3/8	0.60 (17.74) (Factory charge for lineset = 9 oz / 266.16 g)
5/16	0.40 (11.83)
1/4	0.27 (7.98)

Units are factory charged for 15 ft (4.6 m) of 3/8" liquid line. The factory charge for 3/8" lineset 9 oz. When using other length or diameter liquid lines, charge adjustments are required per the chart above.

### Charging Formula:

$[(\text{Lineset oz/ft} \times \text{total length}) - (\text{factory charge for lineset})] = \text{charge adjustment}$

**Example 1:** System has 15 ft of line set using existing 1/4" liquid line. What charge adjustment is required?

Formula:  $(.27 \text{ oz/ft} \times 15\text{ft}) - (9 \text{ oz}) = (-4.95) \text{ oz.}$

Net result is to remove 4.95 oz of refrigerant from the system

**Example 2:** System has 45 ft of existing 5/16" liquid line. What is the charge adjustment?

Formula:  $(.40 \text{ oz/ft.} \times 45\text{ft}) - (9 \text{ oz.}) = 9 \text{ oz.}$

Net result is to add 9 oz of refrigerant to the system

## LONG LINE APPLICATIONS

An application is considered Long Line, when the refrigerant level in the system requires the use of accessories to maintain acceptable refrigerant management for systems reliability. See Accessory Usage Guideline table for required accessories. Defining a system as long line depends on the liquid line diameter, actual length of the tubing, and vertical separation between the indoor and outdoor units.

For Air Conditioner systems, the chart below shows when an application is considered Long Line.

### AC WITH PURON® REFRIGERANT LONG LINE DESCRIPTION ft (m) Beyond these lengths, long line accessories are required

Liquid Line Size	Units On Same Level	Outdoor Below Indoor	Outdoor Above Indoor
1/4	No accessories needed within allowed lengths	No accessories needed within allowed lengths	175 (53.3)
5/16	120 (36.6)	50 (15.2) vertical or 120 (36.6) total	120 (36.6)
3/8	80 (24.4)	35 (10.7) vertical or 80 (24.4) total	80 (24.4)

**Note:** See Long Line Guideline for details

## VAPOR LINE SIZING AND COOLING CAPACITY LOSS

Acceptable vapor line diameters provide adequate oil return to the compressor while avoiding excessive capacity loss. The suction line diameters shown in the chart below are acceptable for AC systems with Puron refrigerant:

### Vapor Line Sizing and Cooling Capacity Losses — Puron® Refrigerant 1-Stage Air Conditioner Applications

Unit Nominal Size (Btuh)	Maximum Liquid Line Diameters (In. OD)	Vapor Line Diameters (In. OD)	Cooling Capacity Loss (%)								
			Total Equivalent Line Length ft. (m)								
			26–50 (7.9–15.2)	51–80 (15.5–24.4)	81–100 (24.7–30.5)	101–125 (30.8–38.1)	126–150 (38.4–45.7)	151–175 (46.0–53.3)	176–200 (53.6–61.0)	201–225 (61.3–68.6)	226–250 (68.9–76.2)
018 1 Stage AC with Puron	3/8	1/2	1	2	3	5	6	7	8	9	11
		5/8	0	1	1	1	2	2	2	3	3
		3/4	0	0	0	0	1	1	1	1	1
024 1 Stage AC with Puron	3/8	5/8	0	1	2	2	3	3	4	5	5
		3/4	0	0	1	1	1	1	1	2	2
		7/8	0	0	0	0	0	1	1	1	1
030 1 Stage AC with Puron	3/8	5/8	1	2	3	3	4	5	6	7	8
		3/4	0	0	1	1	1	2	2	2	3
		7/8	0	0	0	0	1	1	1	1	1
036 1 Stage AC with Puron	3/8	5/8	1	2	4	5	6	8	9	10	12
		3/4	0	1	1	2	2	3	3	4	4
		7/8	0	0	0	1	1	1	1	2	2
042 1 Stage AC with Puron	3/8	3/4	0	1	2	2	3	4	4	5	6
		7/8	0	0	1	1	1	2	2	2	3
		1 1/8	0	0	0	0	0	0	0	0	0
048 1 Stage AC with Puron	3/8	3/4	0	1	2	3	4	5	5	6	7
		7/8	0	0	1	1	2	2	2	3	3
		1 1/8	0	0	0	0	0	0	0	1	1
060 1 Stage AC with Puron	3/8	3/4	1	2	4	5	6	7	9	10	11
		7/8	0	1	2	2	3	4	4	5	5
		1 1/8	0	0	0	1	1	1	1	1	1

Applications in this area may be long line and may have height restrictions. See the Residential Piping and Long Line Guideline.

# PHYSICAL DATA

UNIT SIZE SERIES	18-30	24-30	30-30	36-30	42-30	48-30	60-31
Operating Weight lb (kg)	128 (58.1)	133 (60.3)	155 (70.3)	167 (75.7)	188 (85.3)	197 (89.4)	227 (102.7)
Shipping Weight lb (kg)	159 (72.1)	167 (75.7)	193 (87.3)	205 (92.8)	225 (102.1)	235 (106.6)	267 (120.9)
Compressor Type	Scroll						
REFRIGERANT	Puron® (R-410A)						
Control	TXV (Puron® Hard Shutoff)						
Charge lb (kg)	4.1 (1.86)	5.1 (2.31)	5.8 (2.63)	6.8 (3.08)	6.2 (2.81)	7.3 (3.31)	9.9 (4.49)
COND FAN	Propeller Type, Direct Drive						
Air Discharge	Vertical						
Air Qty (CFM)	1881	2196	3167	3167	3810	3810	4046
Motor HP	1/12	1/10	1/5	1/5	1/5	1/5	1/4
Motor RPM	1100	1100	1100	1100	800	800	800
COND COIL							
Face Area (Sq ft)	13.13	14.77	17.25	21.56	17.60	20.12	17.60
Fins per In.	20	20	20	20	20	20	20
Rows	1	1	1	1	1	1	2
Circuits	3	3	3	5	4	5	8
VALVE CONNECT. (In. ID)							
Vapor	5/8	5/8	3/4	3/4	7/8	7/8	7/8
Liquid	3/8	3/8	3/8	3/8	3/8	3/8	3/8
REFRIGERANT TUBES (In. OD)							
Rated Vapor*	5/8		3/4		7/8		1-1/8
Vapor	3/4		7/8		1-1/8		1-1/8
Liquid (0-50 ft / 0 - 15.2 m) Tube Length)	3/8"						
Liquid (For Long-Line applications)	3/8"						

\* Units are rated with 25 ft (7.6 m) of lineset length. See Vapor Line Sizing and Cooling Capacity Loss table when using other sizes and lengths of lineset  
**Note:** See unit Installation Instruction for proper installation.

## ACCESSORY THERMOSTATS

PART NUMBER	PROGRAM	GAS	ELECTRIC	HEAT PUMP	HEAT	COOL
TC-PAC01	5-2 Day	√	√		1	1
TC-NAC01	NP	√	√		1	1
TCSNAC01	NP	√	√		1	1

### THERMOSTAT ACCESSORIES

PART NUMBER	DESCRIPTION	THERMOSTATS USED WITH
TSTATXXCNV10†	Thermostat Conversion Kit (4 to 5 wire) - 10 pack	All Carrier® branded thermostats
TX-LBP01	Large Decorative Backplate	TP-Pxx, TP-Nxx, TC-Pxx
TX-MBP01	Medium Decorative Backplate	TC-Nxx, TB-Pxx

## ACCESSORIES

ORDER NUMBER	DESCRIPTION	Size - Voltage & Series						
		18-30	24-30	30-30	36-30	42-30	48-30	60-31
KAAFT0101AAA	FREEZE THERMOSTAT	X	X	X	X	X	X	X
KAATD0101TDR	TIME DELAY RELAY	X	X	X	X	X	X	X
KAAWS0101AAA	WINTER START	X	X	X	X	X	X	X
KSALA0301410	LOW AMBIENT PSW	X	X	X	X	X	X	X
KSALA0601AAA†	MOTORMASTER 230V	X	X	X	X	X	X	X
HC32GE234	MOTOR FAN BALL BEARING	X						
HC34GE239	MOTOR FAN BALL BEARING		X					
HC38GE219	MOTOR FAN BALL BEARING			X	X			
HC40GE228	MOTOR FAN BALL BEARING					X	X	X
KSAHS1701AAA	HARD START (CAP / RELAY)	X	X	X	X	X	X	X
KSACY0101AAA	CYCLE PROTECTOR	X	X	X	X	X	X	X
KSASF0101AAA	SUPPORT FEET	X	X	X	X	X	X	X
KAACS0201PTC	START ASSIST PTC	X	X	X	X	X	X	X
KAACH1201AAA	CRANKCASE HTR					X	X	X
KAACH1401AAA	CRANKCASE HTR	X	X	X	X			
KSATX0201PUR	TXV PURON HSO	X	X	X				
KSATX0301PUR	TXV PURON HSO				X	X		
KSATX0401PUR	TXV PURON HSO						X	
KSATX0501PUR	TXV PURON HSO							X
KSASH0601COP	SOUND HOOD	X	X	X	X	X	X	
KSASH2101COP	SOUND HOOD							X
KAALP0301PUR	LOW PRESSURE SWITCH	X	X	X	X	X	X	X
KAHI0501PUR	HIGH PRESSURE SWITCH	X	X	X	X	X	X	X
KAALS0201LLS	LIQUID LINE SOLENOID	X	X	X	X	X	X	X
KHASS0606MPK*	SNOW STAND RACK	X	X	X	X	X	X	X

† Required accessories include ball bearing fan motor, compressor start assist (CAP / Relay), crankcase heater, evaporator freeze stat, hard shut-off TXV.

X Available accessory

\* Available for order through RCD

24ABE3C

# ACCESSORY USAGE GUIDELINE

ACCESSORY	REQUIRED FOR LOW-AMBIENT COOLING APPLICATIONS (Below 55°F/12.8°C)	REQUIRED FOR LONG LINE APPLICATIONS* (Over 80 ft./24.38 m)	REQUIRED FOR SEA COAST APPLICATIONS (Within 2 miles/3.22 km)
Ball Bearing Fan Motor	Yes†	No	No
Compressor Start Assist Capacitor and Relay	Yes	Yes	No
Crankcase Heater	Yes	Yes	No
Evaporator Freeze Thermostat	Yes	No	No
Hard Shut-Off TXV	Yes	Yes	Yes
Liquid Line Solenoid Valve	No	No	No
Motor Master® or Low-ambient Pressure Switch	Yes	No	No
Support Feet	Recommended	No	Recommended
Winter Start Control	Yes	No	No

\* For tubing line sets between 80 and 200 ft. (24.38 and 60.96 m) and/or 20 ft. (6.09 m) vertical differential, refer to Residential Split-System Longline Application Guideline.

† Additional requirement for Low-Ambient Controller (full modulation feature) MotorMaster® Control.

## Accessory Description and Usage (Listed Alphabetically)

### 1. Ball-Bearing Fan Motor

A fan motor with ball bearings which permits speed reduction while maintaining bearing lubrication.

Usage Guideline:

Required on all units when MotorMaster® —

### 2. Compressor Start Assist - Capacitor and Relay

Start capacitor and relay gives a "hard" boost to compressor motor at each start up.

Usage Guideline:

Required for reciprocating compressors in the following applications:

- Long line
- Low ambient cooling
- Hard shut off expansion valve on indoor coil
- Liquid line solenoid on indoor coil

Required for single-phase scroll compressors in the following applications:

- Long line
- Low ambient cooling

Suggested for all compressors in areas with a history of low voltage problems.

### 3. Compressor Start Assist — PTC Type

Solid state electrical device which gives a "soft" boost to the compressor at each start-up.

Usage Guideline:

Suggested in installations with marginal power supply.

### 4. Crankcase Heater

An electric resistance heater which mounts to the base of the compressor to keep the lubricant warm during off cycles. Improves compressor lubrication on restart and minimizes the chance of liquid slugging.

Usage Guideline:

- Required in low ambient cooling applications.
- Required in long line applications.
- Suggested in all commercial applications.

### 5. Cycle Protector

The cycle protector is designed to prevent compressor short cycling. This control provides an approximate 5-minute delay after power to the compressor has been interrupted for any reason, including power outage, protector control trip, thermostat jiggling, or normal cycling.

### 6. Evaporator Freeze Thermostat

An SPST temperature-actuated switch that stops unit operation when evaporator reaches freeze-up conditions.

Usage Guideline:

### 7. Liquid-Line Solenoid Valve (LLS)

An electrically operated shutoff valve which stops and starts refrigerant liquid flow in response to compressor operation. It is to be installed at the outdoor unit to control refrigerant off cycle migration in the heating mode.

Usage Guideline:

An LLS is required in all long line heat pump applications to control refrigerant off cycle migration in the heating mode. See Long Line Guideline.

Required when low ambient kit has been added.

### 8. Low-Ambient Pressure Switch Kit

A long life pressure switch which is mounted to outdoor unit service valve. It is designed to cycle the outdoor fan motor in order to maintain head pressure within normal operating limits (approximately 100 psig to 225 psig). The control will maintain working head pressure at low-ambient temperatures down to 0°F when properly installed.

Usage Guideline:

A Low-Ambient Pressure Switch or MotorMaster® Low-Ambient Controller must be used when cooling operation is used at outdoor temperatures below 55°F (12.8°C).

### 9. MotorMaster® Low-Ambient Controller

A fan-speed control device activated by a temperature sensor, designed to control condenser fan motor speed in response to the saturated, condensing temperature during operation in cooling mode only. For outdoor temperatures down to -20°F (-28.9°C), it maintains condensing temperature at 100°F ±10°F (37.8°C ± -5.5°C).

Usage Guideline:

A MotorMaster® Low Ambient Controller or Low-Ambient Pressure Switch must be used when cooling operation is used at outdoor temperatures below 55°F (12.8°C).

Suggested for all commercial applications.

## Accessory Description and Usage (Listed Alphabetically) (Continued)

### 10. Outdoor Air Temperature Sensor

Designed for use with Carrier Thermostats listed in this publication. This device enables the thermostat to display the outdoor temperature. This device also

is required to enable special thermostat features such as auxiliary heat lock out.

#### Usage Guideline:

Suggested for all Carrier thermostats listed in this publication.

### 11. Sound Hood

Wraparound sound reducing cover for the compressor. Reduces the sound level by about 2 dBA.

#### Usage Guideline:

Suggested when unit is installed closer than 15 ft (4.6 m) to quiet areas, bedrooms, etc.

Suggested when unit is installed between two houses less than 10 ft (3.0 m) apart.

### 12. Support Feet

Four stick-on plastic feet that raise the unit 4 in. above the mounting pad. This allows sand, dirt, and other debris to be flushed from the unit base, minimizing corrosion.

#### Usage Guideline:

Suggested in the following applications:

Coastal installations.

Windy areas or where debris is normally circulating.

Rooftop installations.

For improved sound ratings.

### 13. Thermostatic Expansion Valve (TXV)

A modulating flow-control valve which meters refrigerant liquid flow rate into the evaporator in response to the superheat of the refrigerant gas leaving the evaporator.

Kit includes valve, adapter tubes, and external equalizer tube. Hard shut off types are available.

**NOTE:** When using a hard shut off TXV with single phase reciprocating compressors, a Compressor Start Assist Capacitor and Relay is required.

#### Usage Guideline:

Required to achieve AHRI ratings in certain equipment

combinations. Refer to combination ratings.

Hard shut off TXV or LLS required in air conditioner long line applications.

Required for use on all zoning systems.

### 14. Time-Delay Relay

An SPST delay relay which briefly continues operation of indoor blower motor to provide additional cooling after the compressor cycles off.

**NOTE:** Most indoor unit controls include this feature. For those that do not, use the guideline below.

#### Usage Guideline:

For improved efficiency ratings for certain combinations of indoor and outdoor units. Refer to AHRI Unitary Directory.

### 15. Winter Start Control

This control is designed to alleviate nuisance opening of the low-pressure switch by bypassing it for the first 3 minutes of operation.

# ELECTRICAL DATA

UNIT SIZE – VOLTAGE, SERIES	V/PH	OPER VOLTS*		COMPR		FAN	MCA	MIN WIRE SIZE†	MIN WIRE SIZE†	MAX LENGTH ft. (m)‡	MAX LENGTH ft. (m)‡	MAX FUSE** or CKT BRK AMPS
		MAX	MIN	LRA	RLA	FLA		60° C	75° C	60° C	75° C	
18–30	208/230/1	253	197	48.0	9.0	0.5	11.7	14	14	67 (20.4)	64 (19.5)	20
24–30				58.3	13.5	0.8	17.6	14	14	44 (13.4)	42 (12.8)	30
30–30				73.0	14.1	1.1	18.7	14	14	42 (12.8)	40 (12.2)	30
36–30				79.0	16.7	1.1	21.9	12	12	57 (17.4)	54 (16.5)	35
42–30				109.0	19.9	1.2	26.0	10	10	76 (23.2)	73 (22.3)	40
48–30				117.0	21.8	1.2	28.4	10	10	70 (21.3)	66 (20.1)	40
60–31				134.0	26.3	1.2	34.1	8	10	91 (27.7)	55 (16.8)	50

\* Permissible limits of the voltage range at which the unit will operate satisfactorily

† If wire is applied at ambient greater than 30°C, consult table 310–16 of the NEC (NFPA 70). The ampacity of non-metallic-sheathed cable (NM), trade name ROMEX, shall be that of 60°C conditions, per the NEC (NFPA 70) Article 336–26. If other than uncoated (no-plated), 60 or 75°C insulation, copper wire (solid wire for 10 AWG or smaller, stranded wire for larger than 10 AWG) is used, consult applicable tables of the NEC (NFPA 70).

‡ Length shown is as measured 1 way along wire path between unit and service panel for voltage drop not to exceed 2%.

\*\* Time-Delay fuse.

FLA – Full Load Amps

LRA – Locked Rotor Amps

MCA – Minimum Circuit Amps

RLA – Rated Load Amps

NOTE: Control circuit is 24–V on all units and requires external power source. Copper wire must be used from service disconnect to unit.

All motors/compressors contain internal overload protection.

Complies with 2010 requirements of ASHRAE Standards 90.1

## A-WEIGHTED SOUND POWER LEVEL (dBA)

UNIT SIZE – VOLTAGE, SERIES	STANDARD RATING (dBA)	TYPICAL OCTAVE BAND SPECTRUM (dBA, without tone adjustment)						
		125	250	500	1000	2000	4000	8000
18–30	75	50.0	59.0	65.5	69.5	64.5	61.0	55.0
24–30	75	53.0	60.0	68.0	69.5	68.0	63.0	58.5
30–30	77	57.0	66.5	71.0	73.0	69.5	66.5	59.0
36–30	77	55.0	66.5	71.0	70.5	69.0	67.0	63.5
42–30	77	57.0	60.0	66.5	69.0	68.0	64.5	58.0
48–30	80	57.0	60.0	68.0	75.0	69.0	66.5	65.5
60–31	80	59.5	65.0	71.5	72.0	67.0	65.0	62.0

NOTE: Tested in compliance with AHRI 270–2008 but not listed with AHRI.

## A-WEIGHTED SOUND POWER LEVEL (dBA) WITH SOUND SHIELD

UNIT SIZE – VOLTAGE, SERIES	STANDARD RATING (dBA)	TYPICAL OCTAVE BAND SPECTRUM (dBA, without tone adjustment)						
		125	250	500	1000	2000	4000	8000
18–30	73	50.5	60.0	66.0	68.0	64.0	60.5	54.0
24–30	73	53.5	60.0	67.0	68.5	66.5	61.5	56.0
30–30	77	57.5	66.0	71.0	72.5	69.0	65.5	57.5
36–30	76	55.5	66.0	70.0	69.5	68.5	66.0	61.5
42–30	74	57.0	60.5	66.5	67.5	67.0	62.5	56.5
48–30	78	57.0	60.5	67.5	74.0	68.0	64.0	62.5
60–31	77	59.5	65.0	71.0	68.5	66.0	61.5	58.5

NOTE: Tested in compliance with AHRI 270–2008 but not listed with AHRI.

## CHARGING SUBCOOLING (TXV-TYPE EXPANSION DEVICE)

UNIT SIZE – VOLTAGE, SERIES	REQUIRED SUBCOOLING °F (°C)
18–30	8 (4.4)
24–30	11 (6.1)
30–30	9 (5.0)
36–30	10 (5.6)
42–30	11 (6.1)
48–30	12 (6.7)
60–31	11 (6.1)

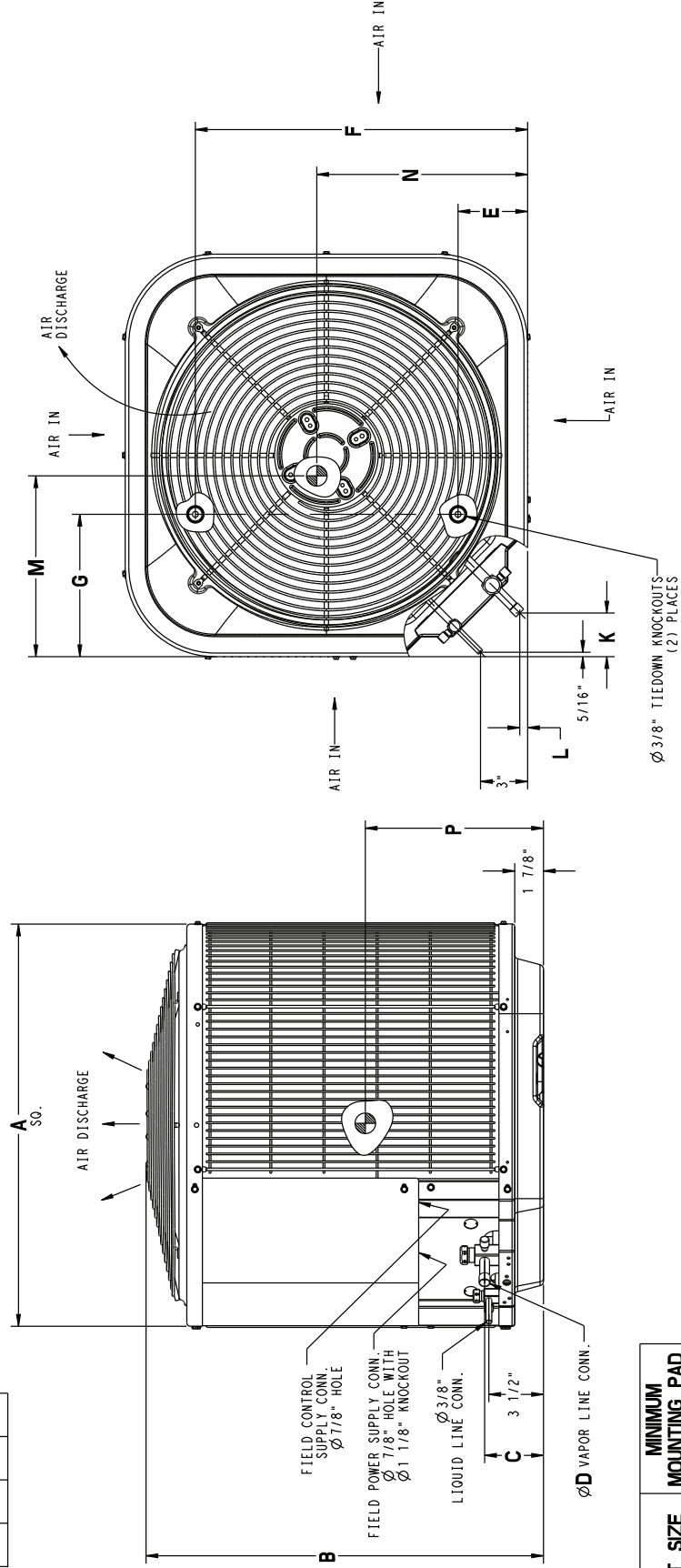


# DIMENSIONS - ENGLISH

UNIT	SERIES	ELECTRICAL CHARACTERISTICS	A	B	C	D	E	F	G	K	L	M	N	P	OPERATING WEIGHT (lbs)	SHIPPING WEIGHT (lbs)	SHIPPING DIMENSIONS (L x W x H)
24ABB318	0	X 0 0 0	25 3/4"	31 13/16"	3 3/4"	5/8"	4 7/16"	21 1/4"	9 1/8"	2 13/16"	1/2"	15 3/8"	12 1/2"	14 3/4"	128	159	26 7/8" X 30 1/16" X 35 15/16"
24ABB324	0	X 0 0 0	25 3/4"	35 1/4"	3 3/4"	5/8"	4 7/16"	21 1/4"	9 1/8"	2 13/16"	1/2"	13"	14 1/4"	15 7/8"	133	167	26 7/8" X 30 1/16" X 39 3/8"
24ABB330	0	X 0 0 0	31 3/16"	32 5/16"	3 3/4"	3/4"	6 9/16"	24 11/16"	9 1/8"	2 13/16"	1/2"	16 1/8"	15"	15 7/8"	155	193	32 3/8" X 35 1/2" X 35 15/16"
24ABB336	0	X 0 0 0	31 3/16"	39 1/8"	3 3/4"	3/4"	6 9/16"	24 11/16"	9 1/8"	2 13/16"	1/2"	13 5/8"	15 3/4"	18 1/2"	167	205	32 3/8" X 35 1/2" X 42 3/4"
24ABB342	0	X 0 0 0	35"	28 15/16"	3 7/8"	7/8"	6 9/16"	28 7/16"	9 1/8"	2 15/16"	5/8"	15 3/4"	15"	12 3/8"	188	225	36 1/8" X 39 5/16" X 32 9/16"
24ABB348	0	X 0 0 0	35"	32 5/16"	3 7/8"	7/8"	6 9/16"	28 7/16"	9 1/8"	2 15/16"	5/8"	16 1/4"	16 3/8"	14 1/4"	197	235	36 1/8" X 39 5/16" X 35 15/16"
24ABB360	1	X 0 0 0	35"	28 15/16"	3 7/8"	7/8"	6 9/16"	28 7/16"	9 1/8"	2 15/16"	5/8"	16 3/8"	16 5/8"	12 1/4"	227	267	36 1/8" X 39 5/16" X 32 9/16"

X = YES  
O = NO

208-230-160	208/230-3-60	460-3-60
-------------	--------------	----------



UNIT SIZE	MINIMUM MOUNTING PAD DIMENSIONS
-	23 1/2" X 23 1/2"
18,24	26" X 26"
30,36	31 1/2" X 31 1/2"
42,48,60	35" X 35"

24ABB3C

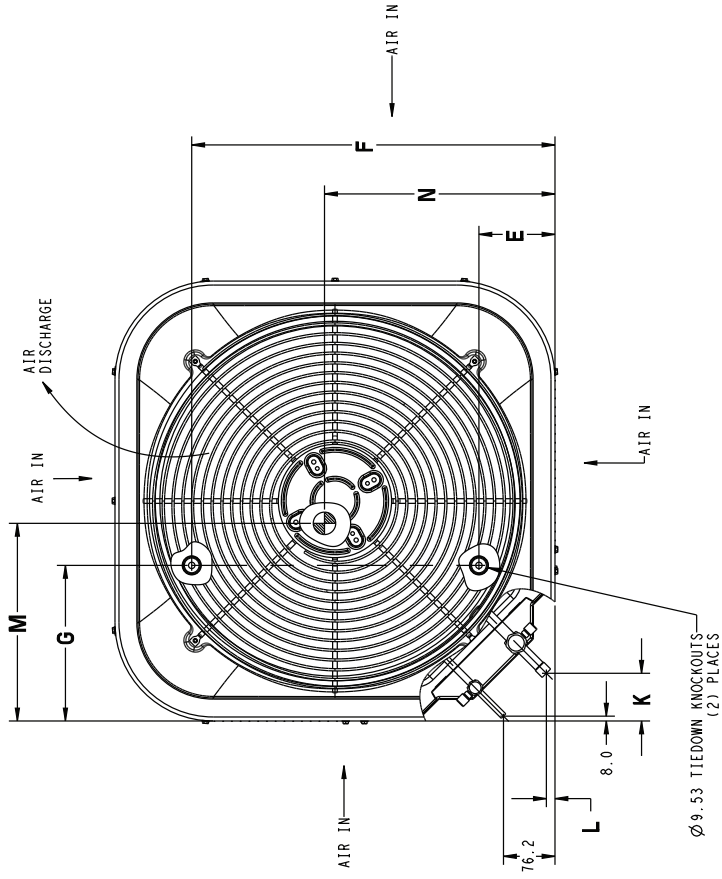
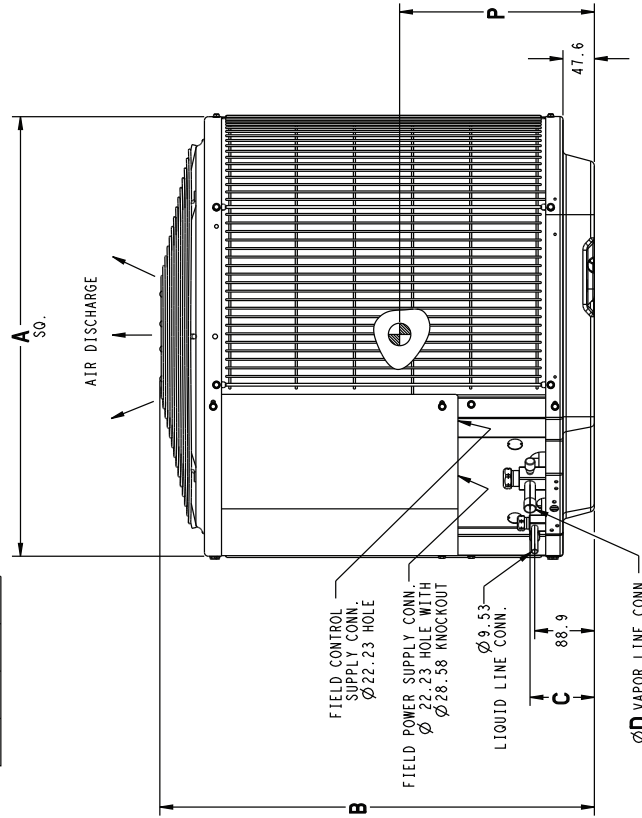
# 24ABB3C

## DIMENSIONS - SI

UNIT	SERIES	ELECTRICAL CHARACTERISTICS	A	B	C	D	E	F	G	K	L	M	N	P	OPERATING WEIGHT (Kgs)	SHIPPING WEIGHT (Kgs)	SHIPPING DIMENSIONS (L x W x H)
24ABB318	0	X 0 0 0	654.0	808.5	95.6	15.9	113.0	539.9	231.3	70.9	12.8	390.5	317.5	374.6	58.0	72.1	682.8 X 762.8 X 913.2
24ABB324	0	X 0 0 0	654.0	894.8	95.6	15.9	113.0	539.9	231.3	70.9	12.8	330.2	362.0	403.2	60.3	75.7	682.8 X 762.8 X 999.5
24ABB330	0	X 0 0 0	792.5	821.2	95.6	19.1	166.7	626.3	231.3	70.9	12.8	409.6	381.0	403.2	70.3	87.5	821.2 X 901.2 X 913.2
24ABB336	0	X 0 0 0	792.5	993.9	95.6	19.1	166.7	626.3	231.3	70.9	12.8	346.1	400.0	469.9	75.7	93.0	821.2 X 901.2 X 1085.9
24ABB342	0	X 0 0 0	889.0	734.8	97.9	22.2	166.7	722.8	231.3	74.5	16.3	400.0	381.0	314.3	85.3	102.0	917.7 X 997.7 X 826.8
24ABB348	0	X 0 0 0	889.0	821.2	97.9	22.2	166.7	722.8	231.3	74.5	16.3	412.8	415.9	362.0	89.4	106.6	917.7 X 997.7 X 913.2
24ABB360	1	X 0 0 0	889.0	734.8	97.9	22.2	166.7	722.8	231.3	74.5	16.3	415.9	422.3	311.2	103.0	121.1	917.7 X 997.7 X 826.8

X = YES  
O = NO

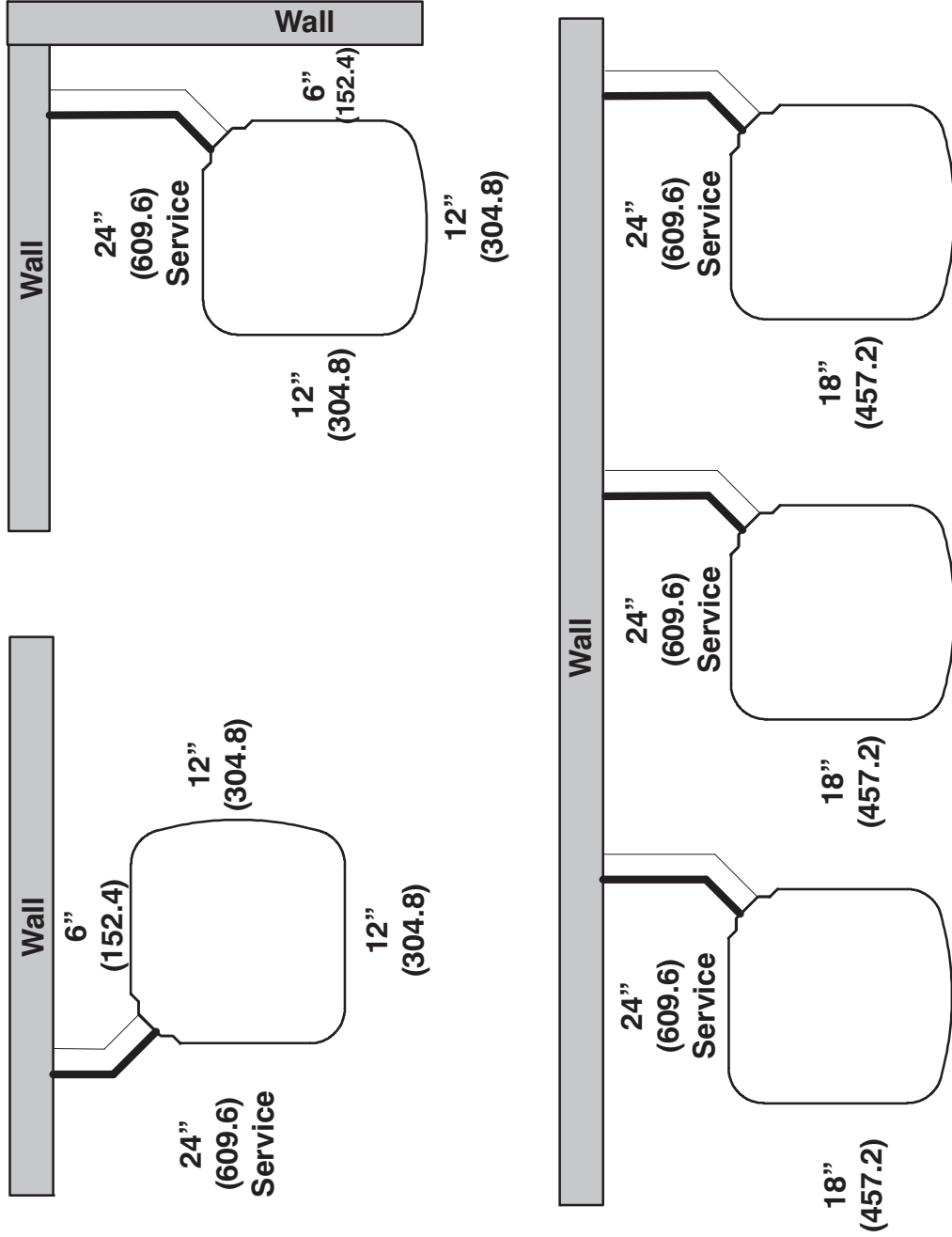
208-230-1-60	230-1-60	208/230-3-60	460-3-60
--------------	----------	--------------	----------



UNIT SIZE	MINIMUM MOUNTING PAD DIMENSIONS
-	596.9 X 596.9
18.24	660.4 X 660.4
30.36	800.1 X 800.1
42.48, 60	889.0 X 889.0

# CLEARANCES

Clearances (various examples)



Note: Numbers in ( ) = mm

# TESTED AHRI COMBINATION RATINGS\*

NOTE: Ratings contained in this document are subject to change at any time.

For AHRI ratings certificates, please refer to the AHRI directory [www.ahridirectory.org](http://www.ahridirectory.org)

Additional ratings and system combinations can be accessed via the Carrier database at:

[http://cactaxcredits.info/carrier-ratings/ac\\_ratings\\_srch.php](http://cactaxcredits.info/carrier-ratings/ac_ratings_srch.php)

Equipment performance Calculator can be accessed at: <http://rpmob.wrightsoft.com/>

Model Number	Indoor Model	Furnace Model	Capacity	EER	SEER
24ABB318C30	CAP**1814A**+TDR		17,700	11.0	13.0
24ABB324C30	CAP**2414A**+TDR		22,600	10.7	13.0
24ABB330C30	CAP**3014A**+TDR		29,000	11.0	13.0
24ABB336C30	CAP**3617A**+TDR		34,400	10.7	13.0
24ABB342C30	CAP**4221A**+TDR		40,500	10.5	13.0
24ABB348C30	CAP**4821A**+TDR		46,500	10.7	13.0
24ABB360C31	CAP**6024A**+TDR		59,500	11.2	13.0

\* Ratings are net values reflecting the effects of circulating fan heat. Supplemental electric heat is not included. Ratings are based on:

**EER** — Energy Efficiency Ratio

**SEER** — Seasonal Energy Efficiency Ratio

**TDR** — Time—Delay Relay. In most cases, only 1 method should be used to achieve TDR function. Using more than 1 method in a system may cause degradation in performance. Use either the accessory Time—Delay Relay KAATD0101TDR or a furnace equipped with TDR. Most Carrier furnaces are equipped with TDR.

- NOTES:**
1. Ratings are net values reflecting the effects of circulating fan motor heat. Supplemental electric heat is not included.
  2. Tested outdoor/indoor combinations have been tested in accordance with DOE test procedures for central air conditioners. Ratings for other combinations are determined under DOE computer simulation procedures.
  3. Determine actual CFM values obtainable for your system by referring to fan performance data in fan coil or furnace coil literature.
  4. Do not apply with capillary tube coils as performance and reliability are significantly affected.

# DETAILED COOLING CAPACITIES#

EVAPORATOR AIR		CONDENSER ENTERING AIR TEMPERATURES ° F (° C)																	
		75 (23.9)			85 (29.4)			95 (35)			105 (40.6)			115 (46.1)			125 (51.7)		
CFM	EWB ° F (° C)	Capacity MBtuh		Total System KW**	Capacity MBtuh		Total System KW**	Capacity MBtuh		Total System KW**	Capacity MBtuh		Total System KW**	Capacity MBtuh		Total System KW**			
		Total	Sens†		Total	Sens†		Total	Sens†		Total	Sens†		Total	Sens†		Total	Sens†	
		<b>24ABB316C30 Outdoor Section With CAP**1614A** Indoor Section</b>																	
525	72 (22.2)	21.05	10.18	1.27	20.09	9.84	1.42	19.06	9.48	1.58	18.01	9.12	1.76	16.89	8.74	1.96	15.64	8.33	2.17
	67 (19.4)	19.27	12.51	1.27	18.38	12.16	1.42	17.43	11.79	1.58	16.45	11.42	1.76	15.41	11.03	1.96	14.26	10.61	2.17
	62 (16.7)	17.68	14.82	1.27	16.86	14.46	1.42	16.01	14.09	1.58	15.13	13.68	1.76	14.28	14.28	1.96	13.40	13.40	2.17
	57 (13.9)	17.16	17.16	1.27	16.51	16.51	1.42	15.81	15.81	1.58	15.07	15.07	1.76	14.28	14.28	1.96	13.40	13.40	2.17
	72 (22.2)	21.40	10.67	1.29	20.39	10.32	1.44	19.33	9.96	1.61	18.25	9.60	1.79	17.08	9.21	1.98	15.80	8.79	2.20
600	67 (19.4)	19.61	13.30	1.30	18.68	12.95	1.45	17.70	12.58	1.61	16.69	12.21	1.79	15.61	11.81	1.99	14.43	11.38	2.20
	62 (16.7)	18.08	15.91	1.30	17.25	15.53	1.45	16.41	16.41	1.61	15.63	15.63	1.79	14.79	14.79	1.99	13.85	13.85	2.20
	57 (13.9)	17.87	17.87	1.30	17.17	17.17	1.45	16.42	16.42	1.61	15.63	15.63	1.79	14.79	14.79	1.99	13.85	13.85	2.20
675	72 (22.2)	21.65	11.13	1.33	20.61	10.78	1.47	19.51	10.42	1.63	18.40	10.05	1.82	17.21	9.66	2.01	15.89	9.24	2.23
	67 (19.4)	19.86	14.07	1.33	18.90	13.71	1.47	17.89	13.34	1.64	16.86	12.96	1.82	15.76	12.55	2.01	14.55	12.11	2.23
	62 (16.7)	18.46	18.35	1.33	17.70	17.70	1.48	16.91	16.91	1.64	16.09	16.09	1.82	15.20	15.20	2.01	14.21	14.21	2.23
57 (13.9)	18.45	18.45	1.33	17.70	17.70	1.48	16.91	16.91	1.64	16.09	16.09	1.82	15.20	15.20	2.01	14.21	14.21	2.23	
		<b>24ABB324C30 Outdoor Section With CAP**2414A** Indoor Section</b>																	
		CONDENSER ENTERING AIR TEMPERATURES ° F (° C)																	
		75 (23.9)			85 (29.4)			95 (35)			105 (40.6)			115 (46.1)			125 (51.7)		
CFM	EWB ° F (° C)	Capacity MBtuh		Total System KW**	Capacity MBtuh		Total System KW**	Capacity MBtuh		Total System KW**	Capacity MBtuh		Total System KW**	Capacity MBtuh		Total System KW**			
		Total	Sens†		Total	Sens†		Total	Sens†		Total	Sens†		Total	Sens†		Total	Sens†	
700	72 (22.2)	26.88	12.92	1.68	25.69	12.51	1.87	24.42	12.07	2.08	23.10	11.62	2.32	21.68	11.14	2.58	20.12	10.63	2.86
	67 (19.4)	24.51	15.85	1.67	23.40	15.42	1.86	22.24	14.98	2.07	21.01	14.52	2.31	19.71	14.04	2.57	18.29	13.52	2.85
	62 (16.7)	22.41	18.77	1.66	21.40	18.33	1.85	20.35	17.87	2.07	19.27	17.38	2.30	18.24	18.24	2.56	17.16	17.16	2.85
	57 (13.9)	21.79	21.79	1.66	20.98	20.98	1.85	20.13	20.13	2.07	19.22	19.22	2.30	18.24	18.24	2.56	17.16	17.16	2.85
	72 (22.2)	27.35	13.56	1.72	26.11	13.14	1.91	24.79	12.70	2.12	23.43	12.24	2.36	21.95	11.76	2.61	20.34	11.23	2.90
800	67 (19.4)	24.96	16.88	1.71	23.81	16.45	1.90	22.60	16.00	2.11	21.33	15.53	2.35	19.98	15.04	2.61	18.51	14.51	2.89
	62 (16.7)	22.94	20.17	1.70	21.92	19.70	1.89	20.92	20.92	2.11	19.96	19.96	2.34	18.91	18.91	2.60	17.76	17.76	2.89
	57 (13.9)	22.71	22.71	1.70	21.84	21.84	1.89	20.93	20.93	2.11	19.96	19.96	2.34	18.91	18.91	2.60	17.76	17.76	2.89
900	72 (22.2)	27.70	14.16	1.76	26.41	13.74	1.95	25.06	13.29	2.16	23.65	12.83	2.39	22.14	12.34	2.65	20.47	11.81	2.93
	67 (19.4)	25.30	17.86	1.75	24.11	17.43	1.94	22.87	16.97	2.15	21.57	16.50	2.39	20.18	15.99	2.64	18.68	15.45	2.93
	62 (16.7)	23.45	23.45	1.74	22.55	22.55	1.93	21.58	21.58	2.15	20.56	20.56	2.38	19.45	19.45	2.64	18.24	18.24	2.93
57 (13.9)	23.47	23.47	1.74	22.55	22.55	1.93	21.58	21.58	2.15	20.56	20.56	2.38	19.45	19.45	2.64	18.24	18.24	2.93	

See notes on pg. 16



24ABB3C

DETAILED COOLING CAPACITIES# (CONT.)

EVAPORATOR AIR		CONDENSER ENTERING AIR TEMPERATURES ° F (° C)																	
CFM	EWB ° F (° C)	75 (23.9)			85 (29.4)			95 (35)			105 (40.6)			115 (46.1)			125 (51.7)		
		Capacity MBtuh		Total System KW**	Capacity MBtuh		Total System KW**	Capacity MBtuh		Total System KW**	Capacity MBtuh		Total System KW**	Capacity MBtuh		Total System KW**	Capacity MBtuh		Total System KW**
		Total	Sens†		Total	Sens†		Total	Sens†		Total	Sens†	Total	Sens†		Total	Sens†	Total	Sens†
24ABB35C30 Outdoor Section With CAP**3014A** Indoor Section																			
875	72 (22.2)	34.42	17.55	2.14	32.93	17.00	2.35	31.37	16.43	2.60	29.70	15.82	2.87	27.89	15.18	3.16	25.89	14.48	3.49
	67 (19.4)	31.38	21.54	2.13	30.01	20.98	2.34	28.55	20.39	2.59	27.00	19.78	2.86	25.33	19.12	3.15	23.50	18.41	3.48
	62 (16.7)	28.71	25.53	2.12	27.46	24.95	2.34	26.15	24.33	2.58	24.79	23.66	2.85	23.46	23.46	3.15	22.06	22.06	3.47
1000	72 (22.2)	27.97	27.97	2.11	26.95	26.95	2.34	25.88	25.88	2.58	24.72	24.72	2.85	23.46	23.46	3.15	22.06	22.06	3.47
	67 (19.4)	35.01	18.40	2.19	33.47	17.84	2.40	31.84	17.26	2.65	30.11	16.65	2.92	28.24	15.99	3.21	26.17	15.28	3.54
	62 (16.7)	29.37	22.91	2.17	30.51	22.34	2.39	29.00	21.75	2.64	27.40	21.13	2.91	25.68	20.46	3.20	23.79	19.73	3.53
1125	72 (22.2)	29.37	27.39	2.17	28.12	26.77	2.39	26.87	26.87	2.63	25.65	25.65	2.90	24.31	24.31	3.20	22.82	22.82	3.52
	67 (19.4)	29.11	29.11	2.16	28.03	28.03	2.38	26.88	26.88	2.63	25.65	25.65	2.90	24.31	24.31	3.20	22.82	22.82	3.52
	62 (16.7)	32.36	24.22	2.22	30.89	23.65	2.44	29.34	23.05	2.68	27.70	22.41	2.95	25.94	21.73	3.25	24.01	20.98	3.57
1200	72 (22.2)	30.03	30.03	2.21	28.91	28.91	2.43	27.70	27.70	2.68	26.41	26.41	2.95	25.00	25.00	3.25	23.43	23.43	3.57
	67 (19.4)	30.05	30.05	2.21	28.92	28.92	2.43	27.70	27.70	2.68	26.41	26.41	2.95	25.00	25.00	3.25	23.43	23.43	3.57
	62 (16.7)	35.67	35.67	2.68	34.31	34.31	2.96	32.85	32.85	3.26	31.29	31.29	3.60	29.59	29.59	3.97	27.68	27.68	4.36
24ABB36C30 Outdoor Section With CAP**3617A** Indoor Section																			
1050	72 (22.2)	40.76	20.75	2.59	38.98	20.09	2.87	37.11	19.41	3.17	35.12	18.68	3.51	32.94	17.90	3.88	30.52	17.04	4.27
	67 (19.4)	37.32	25.53	2.57	35.68	24.85	2.85	33.93	24.15	3.16	32.08	23.40	3.49	30.07	22.61	3.86	27.85	21.75	4.25
	62 (16.7)	34.25	30.28	2.56	32.76	29.59	2.83	31.19	26.85	3.14	29.56	28.05	3.47	27.92	27.92	3.84	26.21	26.21	4.23
1200	72 (22.2)	33.35	33.35	2.55	32.13	32.13	2.83	30.83	30.83	3.14	29.44	29.44	3.47	27.92	27.92	3.84	26.22	26.22	4.23
	67 (19.4)	41.38	21.69	2.65	39.54	21.01	2.93	37.60	20.32	3.23	35.53	19.58	3.57	33.28	18.79	3.94	30.79	17.92	4.33
	62 (16.7)	37.92	27.04	2.63	36.21	26.36	2.91	34.40	25.64	3.21	32.49	24.90	3.55	30.42	24.09	3.92	28.14	23.21	4.31
1350	72 (22.2)	34.98	32.38	2.62	33.47	31.64	2.89	31.90	31.90	3.20	30.47	30.47	3.54	28.85	28.85	3.90	27.03	27.03	4.30
	67 (19.4)	34.63	34.63	2.62	33.33	33.33	2.89	31.95	31.95	3.20	30.47	30.47	3.54	28.85	28.85	3.90	27.04	27.04	4.30
	62 (16.7)	41.84	22.56	2.71	39.94	21.88	2.99	37.95	21.17	3.29	35.82	20.42	3.63	33.52	19.62	4.00	30.96	18.73	4.39
See notes on pg. 16	72 (22.2)	38.36	28.48	2.69	36.59	27.79	2.97	34.75	27.08	3.27	32.79	26.32	3.61	30.68	25.50	3.98	28.36	24.59	4.37
	67 (19.4)	35.68	35.40	2.68	34.30	34.30	2.96	32.85	32.85	3.26	31.29	31.29	3.60	29.59	29.59	3.97	27.68	27.68	4.36
	62 (16.7)	35.67	35.67	2.68	34.31	34.31	2.96	32.85	32.85	3.26	31.29	31.29	3.60	29.59	29.59	3.97	27.68	27.68	4.36

See notes on pg. 16

# DETAILED COOLING CAPACITIES# (CONT.)

EVAPORATOR AIR		CONDENSER ENTERING AIR TEMPERATURES ° F (° C)																	
		75 (23.9)			85 (29.4)			95 (35)			105 (40.6)			115 (46.1)			125 (51.7)		
CFM	EWB ° F (° C)	Capacity MBTuh		Total System KW**	Capacity MBTuh		Total System KW**	Capacity MBTuh		Total System KW**	Capacity MBTuh		Total System KW**	Capacity MBTuh		Total System KW**			
		Total	Sens†		Total	Sens†		Total	Sens†		Total	Sens†		Total	Sens†		Total	Sens†	
		<b>24ABB342C30 Outdoor Section With CAP**4221A** Indoor Section</b>																	
	72 (22.2)	48.03	22.78	2.97	45.91	22.03	3.36	43.70	21.26	3.76	41.38	20.47	4.18	38.88	19.62	4.61	36.11	18.69	5.06
1225	67 (19.4)	43.90	27.84	3.03	41.94	27.08	3.41	39.90	25.29	3.80	37.77	25.49	4.20	35.48	24.63	4.62	32.97	23.71	5.05
	62 (16.7)	40.17	32.88	3.09	38.41	32.10	3.45	36.58	31.30	3.82	34.70	30.46	4.22	32.74	32.41	4.62	30.81	30.81	5.04
	57 (13.9)	38.87	38.87	3.10	37.45	37.45	3.46	35.96	35.96	3.83	34.99	34.99	4.22	32.70	32.70	4.62	30.81	30.81	5.04
1400	72 (22.2)	48.83	23.79	3.02	46.62	23.03	3.41	44.32	22.24	3.82	41.92	21.44	4.24	39.33	20.57	4.67	36.46	19.63	5.12
	67 (19.4)	44.67	29.46	3.08	42.62	28.69	3.46	40.50	27.89	3.86	38.28	27.07	4.27	35.92	26.21	4.69	33.33	25.27	5.12
	62 (16.7)	41.06	35.14	3.14	39.25	34.33	3.50	37.41	33.46	3.88	35.61	32.82	4.28	33.82	33.82	4.69	31.80	31.80	5.11
	57 (13.9)	40.44	40.44	3.14	38.91	38.91	3.51	37.32	37.32	3.88	35.64	35.64	4.28	33.82	33.82	4.69	31.80	31.80	5.11
1575	72 (22.2)	49.45	24.75	3.07	47.16	23.98	3.46	44.79	23.19	3.87	42.32	22.37	4.30	39.65	21.50	4.74	36.70	20.54	5.18
	67 (19.4)	45.26	31.04	3.14	43.15	30.25	3.52	40.96	29.45	3.91	38.69	28.63	4.33	36.27	27.75	4.75	33.61	26.79	5.18
	62 (16.7)	41.87	37.25	3.19	40.04	40.04	3.56	38.42	38.42	3.94	36.64	36.64	4.34	34.72	34.72	4.75	32.58	32.58	5.18
	57 (13.9)	41.72	41.72	3.19	40.11	40.11	3.55	38.42	38.42	3.94	36.65	36.65	4.34	34.73	34.73	4.75	32.59	32.59	5.18
		<b>24ABB348C30 Outdoor Section With CAP**4821A** Indoor Section</b>																	
		CONDENSER ENTERING AIR TEMPERATURES ° F (° C)																	
		75 (23.9)			85 (29.4)			95 (35)			105 (40.6)			115 (46.1)			125 (51.7)		
CFM	EWB ° F (° C)	Capacity MBTuh		Total System KW**	Capacity MBTuh		Total System KW**	Capacity MBTuh		Total System KW**	Capacity MBTuh		Total System KW**	Capacity MBTuh		Total System KW**	Capacity MBTuh		Total System KW**
		Total	Sens†		Total	Sens†		Total	Sens†		Total	Sens†		Total	Sens†		Total	Sens†	
1400	72 (22.2)	55.06	27.63	3.38	52.58	26.72	3.81	49.99	25.77	4.27	47.31	24.81	4.77	44.41	23.79	5.30	41.17	22.66	5.87
	67 (19.4)	50.55	33.95	3.39	48.26	33.02	3.81	45.85	32.05	4.27	43.36	31.06	4.76	40.68	30.02	5.29	37.71	28.88	5.86
	62 (16.7)	46.40	40.21	3.40	44.30	39.26	3.81	42.13	36.26	4.26	39.90	37.21	4.75	37.58	37.58	5.28	35.36	35.36	5.85
	57 (13.9)	44.94	44.94	3.40	43.26	43.26	3.81	41.49	41.49	4.26	39.63	39.63	4.75	37.61	37.61	5.28	35.36	35.36	5.85
1600	72 (22.2)	55.93	28.89	3.46	53.34	27.96	3.89	50.65	27.01	4.35	47.88	26.04	4.85	44.88	25.00	5.38	41.53	23.85	5.95
	67 (19.4)	51.40	36.00	3.47	49.01	35.05	3.89	46.50	34.07	4.35	43.92	33.07	4.84	41.15	32.02	5.37	38.09	30.86	5.94
	62 (16.7)	47.37	43.03	3.47	45.22	42.02	3.89	43.04	42.66	4.34	41.00	41.00	4.83	38.85	38.85	5.36	36.45	36.45	5.93
	57 (13.9)	46.69	46.69	3.47	44.88	44.88	3.89	42.99	42.99	4.34	41.01	41.01	4.83	38.86	38.86	5.36	36.45	36.45	5.93
1800	72 (22.2)	56.55	30.07	3.53	53.88	29.14	3.96	51.12	28.17	4.43	48.27	27.19	4.93	45.19	26.14	5.46	41.76	24.99	6.02
	67 (19.4)	52.01	37.94	3.54	49.54	36.98	3.97	46.96	35.99	4.42	44.32	34.99	4.92	41.49	33.92	5.45	38.36	32.73	6.01
	62 (16.7)	48.22	45.57	3.55	46.18	46.18	3.97	44.19	44.19	4.42	42.10	42.10	4.91	39.84	39.84	5.44	37.30	37.30	6.01
	57 (13.9)	48.10	48.10	3.55	46.20	46.20	3.97	44.19	44.19	4.42	42.11	42.11	4.91	39.84	39.84	5.44	37.31	37.31	6.01

See notes on pg. 16



**24ABB3C**

**DETAILED COOLING CAPACITIES# (CONT.)**

EVAPORATOR AIR		CONDENSER ENTERING AIR TEMPERATURES °F (°C)																	
		75 (23.9)			85 (29.4)			95 (35)			105 (40.6)			115 (46.1)			125 (51.7)		
CFM	EWB °F (°C)	Capacity MBtuh		Total System KW**	Capacity MBtuh		Total System KW**	Capacity MBtuh		Total System KW**	Capacity MBtuh		Total System KW**	Capacity MBtuh		Total System KW**			
		Total	Sens†		Total	Sens†		Total	Sens†		Total	Sens†		Total	Sens†				
		<b>24ABB3C0C31 Outdoor Section With CAP**6024A** Indoor Section</b>																	
1750	72 (22.2)	70.46	35.93	4.33	67.31	34.74	4.78	63.92	33.47	5.27	60.32	32.15	5.81	56.39	30.72	6.39	52.01	29.16	7.01
	67 (19.4)	64.68	44.05	4.27	61.75	42.83	4.72	58.63	41.54	5.21	55.32	40.20	5.74	51.73	38.78	6.33	47.76	37.20	6.95
	62 (16.7)	59.39	52.12	4.21	56.74	50.88	4.66	53.92	49.56	5.15	50.97	48.16	5.69	47.86	47.85	6.28	44.83	44.83	6.91
2000	72 (22.2)	71.67	37.60	4.44	68.36	36.38	4.88	64.83	35.09	5.38	61.09	33.75	5.91	57.02	32.30	6.49	52.47	30.71	7.11
	67 (19.4)	65.82	46.74	4.37	62.76	45.50	4.82	59.50	44.19	5.31	56.06	42.82	5.85	52.35	41.37	6.43	48.23	39.77	7.05
	62 (16.7)	60.66	55.81	4.32	57.92	54.51	4.77	55.06	53.07	5.26	52.29	52.29	5.80	49.42	49.42	6.39	46.19	46.19	7.03
2250	72 (22.2)	72.54	39.16	4.54	69.12	37.93	4.99	65.48	36.63	5.48	61.62	35.26	6.02	57.43	33.80	6.59	52.76	32.19	7.21
	67 (19.4)	66.64	49.29	4.48	63.48	48.03	4.92	60.13	46.72	5.42	56.59	45.34	5.95	52.78	43.85	6.53	48.57	42.20	7.15
	62 (16.7)	61.76	59.17	4.43	59.03	59.03	4.88	56.48	56.48	5.37	53.71	53.71	5.92	50.67	50.67	6.50	47.25	47.25	7.14
	57 (13.9)	61.50	61.50	4.42	59.08	59.08	4.88	56.48	56.48	5.37	53.71	53.71	5.92	50.67	50.67	6.51	47.26	47.26	7.14

† Total and sensible capacities are net capacities. Blower motor heat has been subtracted.

‡ Sensible capacities shown are based on 80°F (27°C) entering air at the indoor coil. For sensible capacities at other than 80°F (27°C), deduct 835 Btuh (245 kW) per 1000 CFM (480 L/S) of indoor coil air for each degree below 80°F (27°C), or add 835 Btuh (245 kW) per 1000 CFM (480 L/S) of indoor coil air per degree above 80°F (27°C).

# Detailed cooling capacities are based on indoor and outdoor unit at the same elevation per AHRI standard 210/240-94. If additional tubing length and/or indoor unit is located above outdoor unit, a slight variation in capacity may occur.

\*\* System kw is total of indoor and outdoor unit kilowatts.

†† At TVA rating indoor condition (75°F edb/63°F ewb). All other indoor air temperatures are at 80°F edb.

**NOTE:** When the required data falls between the published data, interpolation may be performed. Extrapolation is not an acceptable practice.

**EWB** — Entering Wet Bulb

**NOTE:** When the required data fall between the published data, interpolation may be performed. Extrapolation is not an acceptable practice.



**CONDENSER ONLY RATINGS\***

SST ° F (° C)		CONDENSER ENTERING AIR TEMPERATURES ° F (° C)							
		55 (12.78)	65 (18.33)	75 (23.89)	85 (29.44)	95 (35.0)	105 (40.56)	115 (46.11)	125 (51.67)
<b>24ABB318C30</b>									
30 (-1.11)	TCG	16.90	15.90	15.00	14.00	12.90	11.90	10.80	9.70
	SDT	68.50	77.80	87.20	96.60	106.10	115.50	125.00	134.40
	KW	0.83	0.95	1.08	1.23	1.39	1.56	1.74	1.93
35 (1.67)	TCG	18.60	17.60	16.50	15.50	14.40	13.20	12.10	10.80
	SDT	69.60	78.90	88.30	97.60	107.00	116.40	125.80	135.20
	KW	0.83	0.95	1.08	1.23	1.39	1.56	1.75	1.94
40 (4.44)	TCG	20.50	19.40	18.20	17.10	15.90	14.70	13.40	12.10
	SDT	70.80	80.10	89.30	98.60	107.90	117.20	126.60	135.90
	KW	0.83	0.95	1.08	1.23	1.39	1.57	1.75	1.96
45 (7.22)	TCG	22.40	21.20	20.00	18.70	17.50	16.20	14.80	13.40
	SDT	72.10	81.30	90.50	99.70	108.90	118.20	127.40	136.70
	KW	0.83	0.95	1.08	1.23	1.39	1.57	1.76	1.96
50 (10.0)	TCG	24.40	23.10	21.80	20.50	19.10	17.70	16.20	14.70
	SDT	73.40	82.50	91.60	100.80	109.90	119.10	128.30	137.40
	KW	0.83	0.95	1.08	1.23	1.39	1.57	1.76	1.97
55 (12.78)	TCG	26.50	25.10	23.70	22.20	20.70	19.20	17.70	16.10
	SDT	74.80	83.80	92.90	101.90	111.00	120.10	129.20	138.20
	KW	0.83	0.95	1.08	1.23	1.39	1.57	1.76	1.97
<b>24ABB324C30</b>									
30 (-1.11)	TCG	20.60	19.40	18.30	17.10	16.00	14.70	13.50	12.20
	SDT	71.70	80.80	90.10	99.30	108.60	118.00	127.40	136.90
	KW	1.07	1.22	1.39	1.58	1.78	2.01	2.25	2.52
35 (1.67)	TCG	22.70	21.40	20.20	18.90	17.70	16.40	15.00	13.60
	SDT	73.10	82.20	91.30	100.50	109.70	119.00	128.40	137.70
	KW	1.08	1.23	1.40	1.58	1.79	2.02	2.27	2.54
40 (4.44)	TCG	24.90	23.60	22.20	20.90	19.50	18.10	16.60	15.10
	SDT	74.60	83.60	92.60	101.70	110.90	120.10	129.30	138.60
	KW	1.09	1.24	1.41	1.59	1.80	2.03	2.28	2.55
45 (7.22)	TCG	27.30	25.90	24.40	23.00	21.50	19.90	18.30	16.70
	SDT	76.20	85.00	94.00	103.00	112.00	121.20	130.30	139.50
	KW	1.10	1.25	1.42	1.60	1.81	2.04	2.29	2.56
50 (10.0)	TCG	29.80	28.30	26.70	25.10	23.50	21.90	20.20	18.30
	SDT	77.90	86.60	95.40	104.30	113.30	122.30	131.30	140.40
	KW	1.11	1.26	1.43	1.61	1.82	2.05	2.30	2.57
55 (12.78)	TCG	32.50	30.80	29.10	27.40	25.70	23.90	22.00	20.10
	SDT	79.60	88.20	97.00	105.80	114.60	123.50	132.40	141.30
	KW	1.12	1.27	1.44	1.62	1.83	2.06	2.31	2.58
<b>24ABB330C30</b>									
30 (-1.11)	TCG	26.90	25.50	24.00	22.50	21.00	19.40	17.70	15.90
	SDT	71.30	80.30	89.40	98.50	107.70	117.00	126.30	135.60
	KW	1.42	1.59	1.78	2.00	2.23	2.48	2.76	3.04
35 (1.67)	TCG	29.60	28.10	26.50	24.90	23.20	21.50	19.70	17.80
	SDT	72.70	81.60	90.60	99.70	108.80	118.00	127.20	136.40
	KW	1.42	1.60	1.79	2.00	2.24	2.50	2.78	3.07
40 (4.44)	TCG	32.50	30.90	29.20	27.40	25.70	23.80	21.90	19.80
	SDT	74.30	83.00	91.90	100.90	109.90	119.00	128.10	137.30
	KW	1.43	1.61	1.80	2.01	2.25	2.51	2.79	3.10
45 (7.22)	TCG	35.60	33.80	32.00	30.20	28.20	26.20	24.20	21.90
	SDT	75.90	84.50	93.30	102.10	111.10	120.10	129.10	138.20
	KW	1.45	1.62	1.81	2.02	2.26	2.52	2.81	3.12
50 (10.0)	TCG	38.90	37.00	35.00	33.00	31.00	28.80	26.60	24.20
	SDT	77.60	86.10	94.70	103.50	112.30	121.20	130.10	139.10
	KW	1.46	1.63	1.82	2.04	2.27	2.54	2.82	3.13
55 (12.78)	TCG	42.50	40.40	38.20	36.10	33.80	31.50	29.10	26.50
	SDT	79.50	87.80	96.30	104.90	113.60	122.40	131.20	140.00
	KW	1.48	1.65	1.84	2.05	2.29	2.55	2.84	3.15
<b>24ABB336C30</b>									
30 (-1.11)	TCG	33.30	31.50	29.70	27.80	25.90	23.90	21.80	19.50
	SDT	71.60	80.70	89.90	99.10	108.30	117.50	126.70	135.90
	KW	1.69	1.91	2.15	2.42	2.71	3.02	3.36	3.70
35 (1.67)	TCG	36.70	34.70	32.80	30.80	28.70	26.50	24.20	21.80
	SDT	73.10	82.10	91.20	100.30	109.40	118.60	127.70	136.80
	KW	1.70	1.92	2.16	2.43	2.73	3.05	3.39	3.75
40 (4.44)	TCG	40.20	38.10	36.00	33.80	31.60	29.30	26.80	24.20
	SDT	74.60	83.50	92.50	101.60	110.60	119.70	128.80	137.80
	KW	1.72	1.94	2.18	2.45	2.75	3.07	3.42	3.79
45 (7.22)	TCG	44.00	41.70	39.40	37.10	34.60	32.10	29.50	26.70
	SDT	76.30	85.10	94.00	102.90	111.90	120.90	129.90	138.80
	KW	1.74	1.95	2.20	2.47	2.77	3.10	3.45	3.82
50 (10.0)	TCG	47.90	45.50	43.00	40.40	37.80	35.10	32.30	29.20
	SDT	78.00	86.70	95.50	104.30	113.20	122.10	131.00	139.70
	KW	1.75	1.97	2.22	2.49	2.79	3.12	3.47	3.85
55 (12.78)	TCG	52.10	49.40	46.70	43.90	41.10	38.20	35.10	31.80
	SDT	79.80	88.40	97.00	105.80	114.60	123.30	132.10	140.70
	KW	1.78	1.99	2.24	2.51	2.81	3.14	3.49	3.87

**24ABB3C**

See notes on pg. 18

# CONDENSER ONLY RATINGS\* (CONT.)

SST ° F (° C)		CONDENSER ENTERING AIR TEMPERATURES ° F (° C)							
		55 (12.78)	65 (18.33)	75 (23.89)	85 (29.44)	95 (35.0)	105 (40.56)	115 (46.11)	125 (51.67)
<b>24ABB342C30</b>									
<b>30</b> <b>(-1.11)</b>	TCG	38.30	36.20	34.00	31.90	29.80	27.70	25.50	23.20
	SDT	75.60	84.60	93.70	102.80	111.90	121.10	130.40	139.60
	KW	2.07	2.36	2.67	2.98	3.29	3.61	3.94	4.27
<b>35</b> <b>(1.67)</b>	TCG	42.20	39.90	37.60	35.30	33.00	30.60	28.20	25.70
	SDT	77.30	86.10	95.10	104.10	113.10	122.30	131.40	140.60
	KW	2.01	2.33	2.64	2.97	3.30	3.64	3.98	4.33
<b>40</b> <b>(4.44)</b>	TCG	46.40	43.90	41.30	38.80	36.30	33.80	31.10	28.40
	SDT	79.00	87.70	96.50	105.40	114.40	123.40	132.50	141.50
	KW	1.95	2.28	2.61	2.95	3.30	3.65	4.01	4.38
<b>45</b> <b>(7.22)</b>	TCG	50.90	48.10	45.40	42.60	39.90	37.10	34.20	31.20
	SDT	80.80	89.40	98.10	106.90	115.70	124.60	133.50	142.40
	KW	1.88	2.22	2.57	2.93	3.29	3.66	4.03	4.41
<b>50</b> <b>(10.0)</b>	TCG	55.60	52.60	49.60	46.60	43.60	40.50	37.40	34.10
	SDT	82.70	91.20	99.70	108.40	117.10	125.90	134.60	143.40
	KW	1.80	2.15	2.52	2.89	3.27	3.65	4.04	4.44
<b>55</b> <b>(12.78)</b>	TCG	60.50	57.20	54.00	50.70	47.40	44.10	40.70	37.00
	SDT	84.70	93.00	101.40	109.90	118.50	127.20	135.80	144.30
	KW	1.71	2.08	2.45	2.84	3.23	3.64	4.04	4.45
<b>24ABB348C30</b>									
<b>30</b> <b>(-1.11)</b>	TCG	43.60	41.10	38.60	36.20	33.70	31.20	28.70	26.10
	SDT	75.50	84.50	93.60	102.70	111.80	121.00	130.20	139.50
	KW	2.19	2.52	2.88	3.27	3.68	4.12	4.60	5.11
<b>35</b> <b>(1.67)</b>	TCG	48.10	45.30	42.60	39.90	37.20	34.50	31.70	28.80
	SDT	77.20	86.10	95.00	104.00	113.10	122.20	131.30	140.40
	KW	2.19	2.53	2.89	3.29	3.71	4.16	4.64	5.16
<b>40</b> <b>(4.44)</b>	TCG	52.80	49.80	46.80	43.90	40.90	38.00	34.90	31.70
	SDT	78.90	87.70	96.60	105.40	114.40	123.40	132.40	141.40
	KW	2.19	2.53	2.90	3.30	3.73	4.19	4.68	5.20
<b>45</b> <b>(7.22)</b>	TCG	57.80	54.50	51.30	48.00	44.80	41.50	38.20	34.70
	SDT	80.80	89.40	98.10	106.90	115.70	124.60	133.50	142.30
	KW	2.18	2.53	2.91	3.31	3.75	4.21	4.71	5.24
<b>50</b> <b>(10.0)</b>	TCG	63.00	59.40	55.90	52.30	48.80	45.20	41.60	37.70
	SDT	82.70	91.20	99.80	108.50	117.10	125.90	134.60	143.30
	KW	2.17	2.53	2.91	3.32	3.76	4.24	4.74	5.26
<b>55</b> <b>(12.78)</b>	TCG	68.40	64.50	60.60	56.70	52.80	49.00	45.00	40.70
	SDT	84.80	93.10	101.50	110.00	118.60	127.20	135.80	144.20
	KW	2.17	2.53	2.91	3.33	3.78	4.25	4.76	5.29
<b>24ABB360C31</b>									
<b>30</b> <b>(-1.11)</b>	TCG	57.70	54.50	51.30	48.00	44.70	41.20	37.70	33.90
	SDT	74.10	83.20	92.30	101.50	110.60	119.70	128.80	137.80
	KW	2.74	3.09	3.48	3.90	4.37	4.88	5.43	6.01
<b>35</b> <b>(1.67)</b>	TCG	63.40	59.90	56.40	52.90	49.20	45.50	41.60	37.50
	SDT	75.80	84.80	93.80	102.90	111.90	120.90	129.90	138.80
	KW	2.79	3.14	3.53	3.96	4.43	4.94	5.49	6.08
<b>40</b> <b>(4.44)</b>	TCG	69.40	65.70	61.90	58.00	54.00	49.90	45.70	41.20
	SDT	77.60	86.50	95.40	104.40	113.30	122.20	131.10	139.90
	KW	2.85	3.19	3.58	4.01	4.48	5.00	5.55	6.15
<b>45</b> <b>(7.22)</b>	TCG	75.80	71.70	67.50	63.30	59.00	54.60	49.90	45.00
	SDT	79.40	88.20	97.10	105.90	114.80	123.60	132.30	140.90
	KW	2.90	3.25	3.64	4.07	4.55	5.06	5.62	6.21
<b>50</b> <b>(10.0)</b>	TCG	82.50	78.00	73.50	68.90	64.20	59.30	54.30	48.90
	SDT	81.40	90.10	98.80	107.50	116.30	124.90	133.60	142.00
	KW	2.97	3.32	3.71	4.14	4.61	5.12	5.68	6.27
<b>55</b> <b>(12.78)</b>	TCG	89.40	84.60	79.70	74.70	69.50	64.30	58.70	52.80
	SDT	83.40	92.00	100.60	109.20	117.80	126.40	134.80	143.10
	KW	3.03	3.38	3.78	4.21	4.68	5.19	5.74	6.33

\* AHRI listing applies only to systems shown in Combination Ratings table.

**KW** – Outdoor Unit Kilowatts Only.

**SDT** – Saturated Temperature Leaving Compressor (° F/° C)

**SST** – Saturated Temperature Entering Compressor (° F/° C)

**TCG** – Gross Cooling Capacity (1000 Btuh)

**24ABB3C**

# GUIDE SPECIFICATIONS

## GENERAL

### System Description

Outdoor-mounted, air-cooled, split-system air conditioner unit suitable for ground or rooftop installation. Unit consists of a hermetic compressor, an air-cooled coil, propeller-type condenser fan, and a control box. Unit will discharge supply air upward as shown on contract drawings. Unit will be used in a refrigeration circuit to match up to a packaged fan coil or coil unit.

### Quality Assurance

- Unit will be rated in accordance with the latest edition of AHRI Standard 210.
- Unit will be certified for capacity and efficiency, and listed in the latest AHRI directory.
- Unit construction will comply with latest edition of ANSI/ASHRAE and with NEC.
- Unit will be constructed in accordance with UL standards and will carry the UL label of approval. Unit will have c-UL approval.
- Unit cabinet will be capable of withstanding Federal Test Method Standard No. 141 (Method 6061) 500-hr salt spray test.
- Air-cooled condenser coils will be leak tested at 150 psig and pressure tested at 450 psig.
- Unit constructed in ISO9001 approved facility.

### Delivery, Storage, and Handling

- Unit will be shipped as single package only and is stored and handled per unit manufacturer's recommendations.

### Warranty (for inclusion by specifying engineer)

- U.S. and Canada only.

## PRODUCTS

### Equipment

Factory assembled, single piece, air-cooled air conditioner unit. Contained within the unit enclosure is all factory wiring, piping, controls, compressor, refrigerant charge Puron® (R-410A), and special features required prior to field start-up.

### Unit Cabinet

- Unit cabinet will be constructed of galvanized steel, bonderized, and coated with a powder coat paint.

## AIR-COOLED, SPLIT-SYSTEM AIR CONDITIONER

24ABB3C

1-1/2 TO 5 NOMINAL TONS

### Fans

- Condenser fan will be direct-drive propeller type, discharging air upward.
- Condenser fan motors will be totally enclosed, 1-phase type with class B insulation and permanently lubricated bearings. Shafts will be corrosion resistant.
- Fan blades will be statically and dynamically balanced.
- Condenser fan openings will be equipped with coated steel wire safety guards.

### Compressor

- Compressor will be hermetically sealed.
- Compressor will be mounted on rubber vibration isolators.

### Condenser Coil

- Condenser coil will be air cooled.
- Coil will be constructed of aluminum fins mechanically bonded to copper tubes which are then cleaned, dehydrated, and sealed.
- ArmorPlate coating - Aluminum fin material is pre-coated on both sides with a corrosion protective epoxy phenolic coating.

### Refrigeration Components

- Refrigeration circuit components will include liquid-line shutoff valve with sweat connections, vapor-line shutoff valve with sweat connections, system charge of Puron® (R-410A) refrigerant, and compressor oil.
- Unit will be equipped with filter drier for Puron refrigerant.

### Operating Characteristics

- The capacity of the unit will meet or exceed \_\_\_\_\_ Btuh at a suction temperature of \_\_\_\_\_ °F/°C. The power consumption at full load will not exceed \_\_\_\_\_ kW.
- Combination of the unit and the evaporator or fan coil unit will have a total net cooling capacity of \_\_\_\_\_ Btuh or greater at conditions of \_\_\_\_\_ CFM entering air temperature at the evaporator at \_\_\_\_\_ °F/°C wet bulb and \_\_\_\_\_ °F/°C dry bulb, and air entering the unit at \_\_\_\_\_ °F/°C.
- The system will have a SEER of \_\_\_\_\_ Btuh/watt or greater at DOE conditions.

### Electrical Requirements

- Nominal unit electrical characteristics will be \_\_\_\_\_ v, single phase, 60 hz. The unit will be capable of satisfactory operation within voltage limits of \_\_\_\_\_ v to \_\_\_\_\_ v.
- Unit electrical power will be single point connection.
- Control circuit will be 24v.

### Special Features

- Refer to section of this literature identifying accessories and descriptions for specific features and available enhancements.

24ABB3C

